



Document Number	Issue Date	Rev. Date
SPL81909	06/26/13	

RF600 Series Impeller Shaft Service Parts List

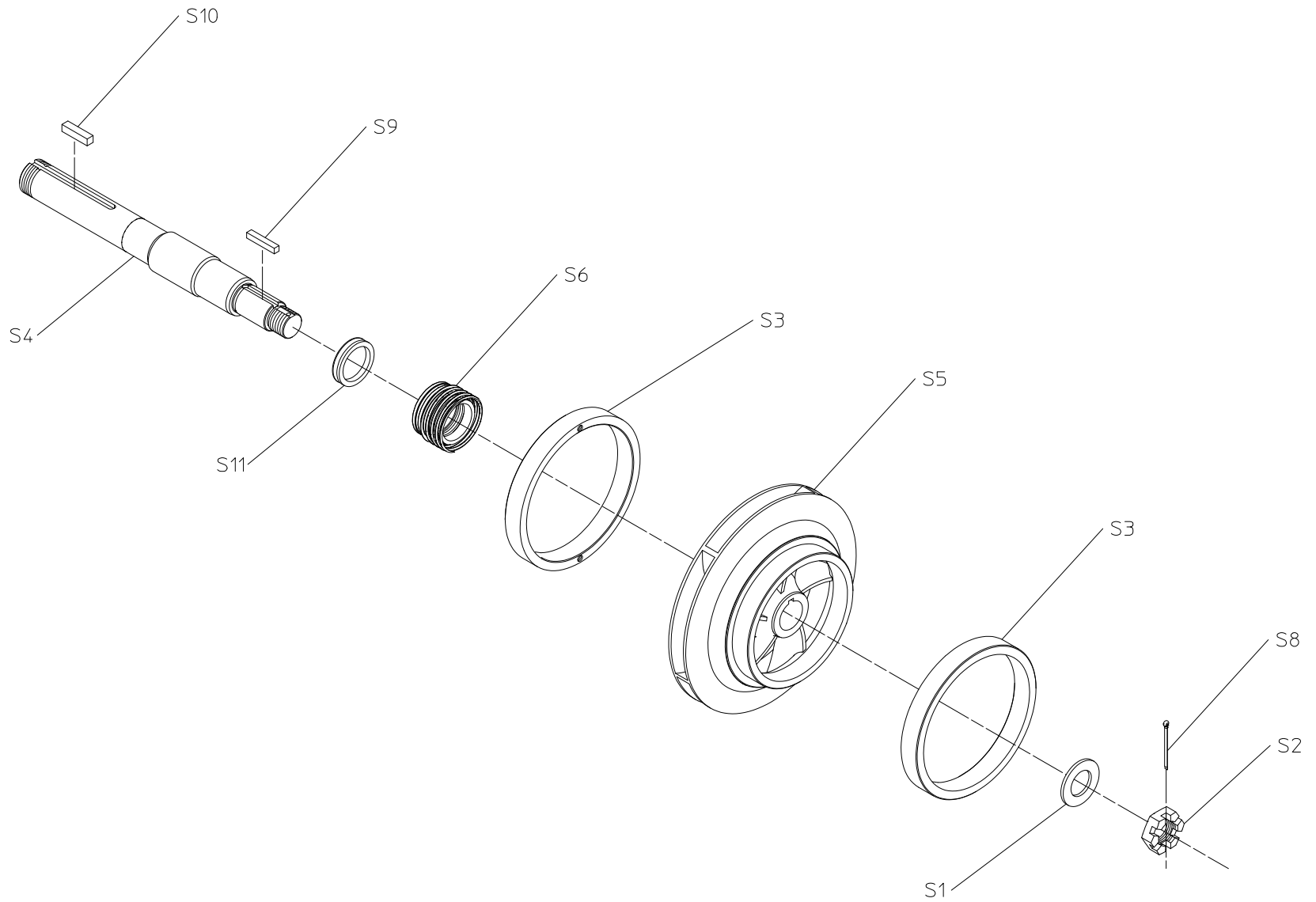
Index:

Model	See Page	
	Exploded View	Cross Section View
RF600WRX	2, 3	4, 5

Exploded View

REF. NO.	DESCRIPTION
S1	Impeller Washer
S2	Impeller Nut
S3	Wear Ring
S4	Impeller Shaft
S5	Impeller

REF. NO.	DESCRIPTION
S6	Mechanical Seal Kit
S8	Cotter Pin, 1/8 X 1-3/4 in.
S9	Square Key, .250 x 1-7/16 in.
S10	Square Key, .313 x 1-9/16 in.
S11	Flinger Ring

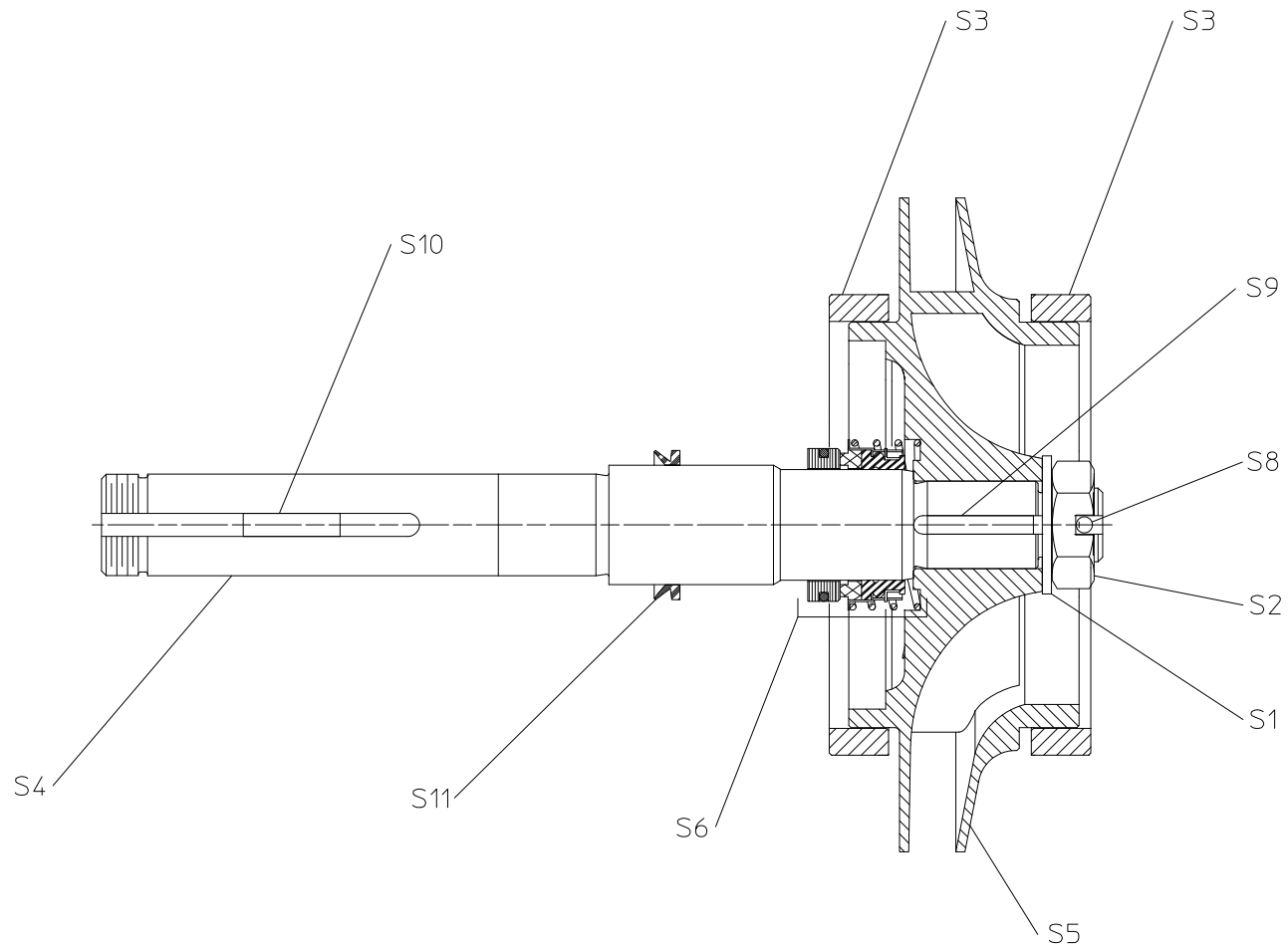


IMPELLER SHAFT ASSEMBLY

Cross-Section View

REF. NO.	DESCRIPTION
S1	Impeller Washer
S2	Impeller Nut
S3	Wear Ring
S4	Impeller Shaft
S5	Impeller

REF. NO.	DESCRIPTION
S6	Mechanical Seal Kit
S8	Cotter Pin, 1/8 X 1-3/4 in.
S9	Square Key, .250 x 1-7/16 in.
S10	Square Key, .313 x 1-9/16 in.
S11	Flinger Ring



IMPELLER SHAFT ASSEMBLY