



Document Number SPL81965	Issue Date 12/21/93	Rev. Date 5/11/18
------------------------------------	-------------------------------	-----------------------------

CS Body Assembly Service Parts List

CS '93 Body Styles

Index:

Pump Model	Component			See Page	
CS, CSH, CSU, CSUH	Pump Body Halves	View of Body (Top Side)			2, 3
		View of Cover (Underside)			4, 5
	Intake Adapters	Left Side	CS, CSH	Standard	6, 7
			CSU, CSUH	Large	
				Large Rear	
		Right Side	CS, CSH	Standard	8, 9
			CSU, CSUH	Standard Rear	
				Large	
	Tank to Pump Connection				10, 11

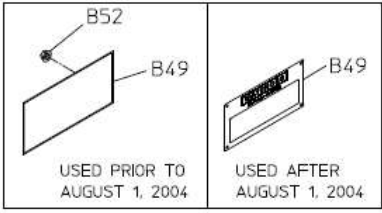
View of Body (Top Side)

REF NO.	DESCRIPTION
B4	Square Pipe Plug, 3/8 in.
B6	Square Pipe Plug, 1/4 in.
B11	Dowel Pin, 7/16 in. x 1-1/4 in.
B12	Gasket Set, Cover-to-Body
B22	Hex Hd Screw, 1/2-13 x 1-1/4 in.
B24	Round Hd Drive Screw, No. 6, 1/4 in.
B25	Serial Plate (Body Mounted)
B37	Body Assembly (Sold as Assembly Only – Consists of Volute Body and Volute Cover)

REF NO.	DESCRIPTION
B43	Gasket Kit (Consists of B7, B12, B26, B39 & B42)
B49	Serial Plate (Located on Operator's Panel)
B52	Self-threaded Nut
B53	Square Hd Pipe Plug, 1/2 in.
B56	Pipe Plug, 1/2 in. NPT Headless
B57	Front Discharge Plug
B58	O-ring, 3-3/4 x 4 in.

USED AFTER FEBRUARY 1, 2001.
 THESE PARTS ARE USED TO
 COVER FRONT DISCHARGE OPENING
 ON IRON PUMPS ONLY WHEN NO PIPING
 IS REQUIRED.
 BRONZE PUMP BODIES DO NOT HAVE
 A FRONT DISCHARGE FLANGE.

THESE PARTS ARE USED TO COVER CENTER
 DISCHARGE OPENING WHEN NO PIPING IS REQUIRED.



SERIAL PLATE MOUNTED
 ON PUMP OPERATORS PANEL

B53
 USED AFTER
 FEBRUARY 1, 2000

B56
 USED AFTER
 FEBRUARY 1, 2000

B4 BRONZE PUMPS)
 B6 (IRON PUMPS)

B22
 (TORQUE TO
 85 LB-FT MIN)

B22
 USED AFTER
 MAY 11, 2001

B58
 USED AFTER
 MAY 11, 2001

B57
 USED AFTER
 MAY 11, 2001

PUMP BODY WITH FRONT
 DISCHARGE REMOVED
 (MAINLY USED ON CSH/CSUH
 PUMP BODIES)

B43
 GASKET
 KIT

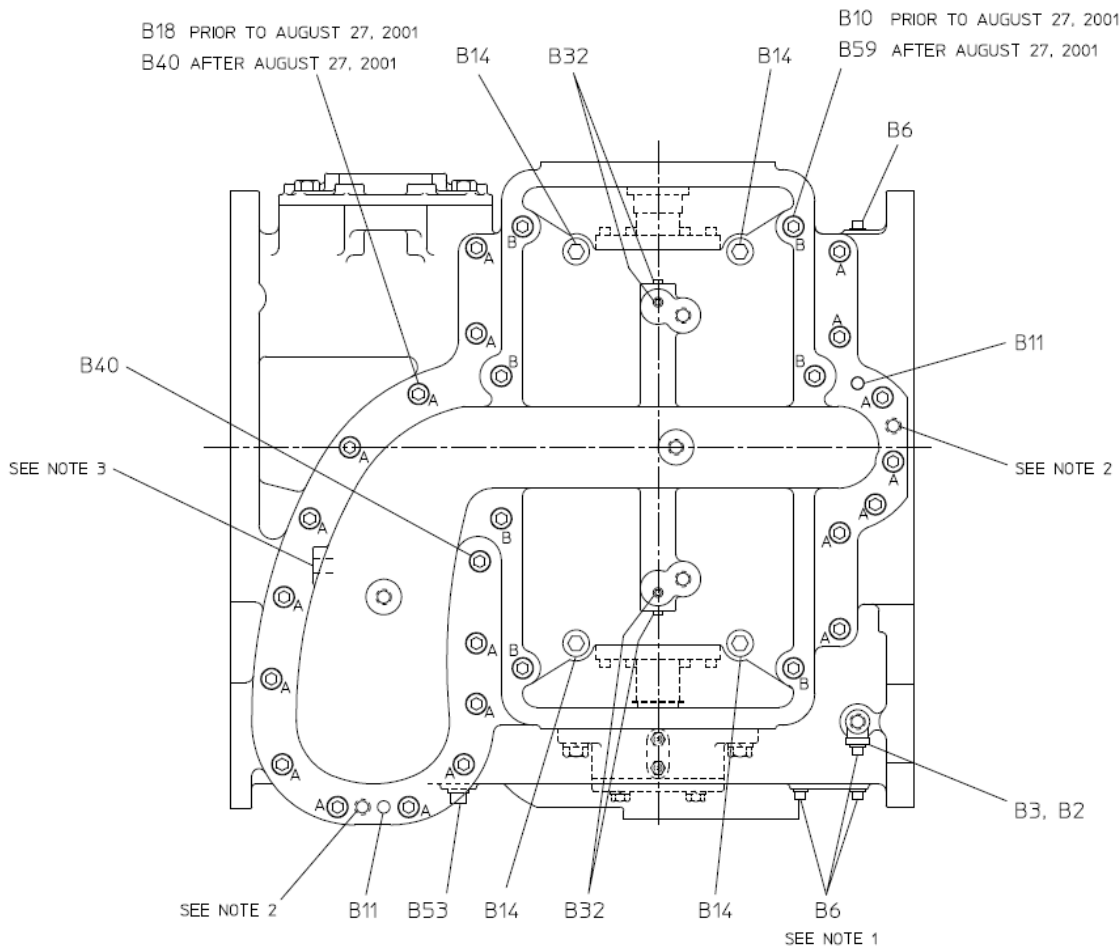
★ PART OF GASKET KIT B43

PUMP BODY

View of Cover (Underside)

REF NO.	DESCRIPTION
B2	Pipe Tee, 1/4 in.
B3	Pipe Nipple, 1/4 in. x 1-1/2 in.
B6	Square Hd Pipe Plug, 1/4 in.
B10	Hex Hd Screw, 1/2-13 x 4-3/4 in.
B11	Dowel Pin, 7/16 in. x 1-1/4 in.
B14	Socket Hd Screw, 5/8-11 x 3 in. (used prior to May 3, 2002)
B14	Socket Hd Screw, 5/8-11 x 3-1/4 in. (used after May 3, 2002)

REF NO.	DESCRIPTION
B18	Hex Hd Screw, 1/2-13 x 1-1/2 in.
B32	Square Hd Pipe Plug or Hex Hd Pipe Plug, 1/8 NPT
B40	Socket Hd Screw, 1/2-13 x 1-1/2 in.
B53	Square Hd Pipe Plug, 1/2 in.
B59	Socket Hd Screw, 1/2-13 x 4-3/4 in.



B18 PRIOR TO AUGUST 27, 2001
 B40 AFTER AUGUST 27, 2001

B10 PRIOR TO AUGUST 27, 2001
 B59 AFTER AUGUST 27, 2001

FASTENER TYPE AND SIZE			
REF. NO.	DESCRIPTION	QTY	MINIMUM TORQUE
B10	HEX HEAD, 1/2-13 X 4-3/4	7	105 LB-FT
B14	SOCKET HEAD, 5/8-11 X 3 (USED PRIOR TO 5-03-02)	4	
	SOCKET HEAD, 5/8-11 X 3-1/4 (USED AFTER TO 5-03-02)	4	
B18	HEX HEAD, 1/2-13 X 1-1/2	20	
B40	SOCKET HEAD, 1/2-13 X 1-1/2	21	
B59	SOCKET HEAD, 1/2-13 X 4-3/4	7	

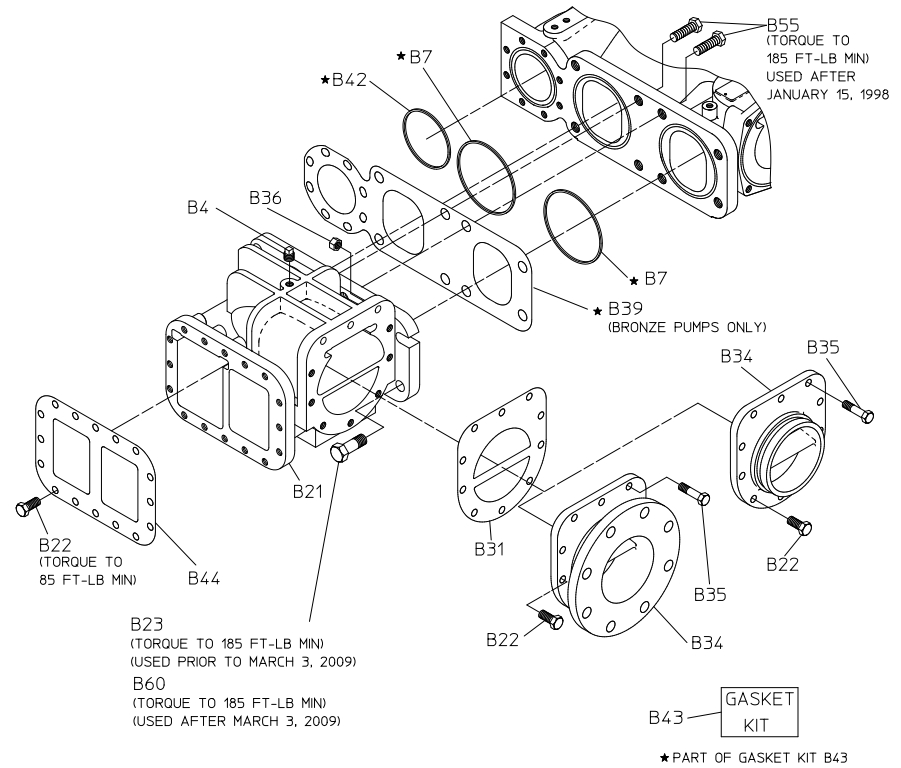
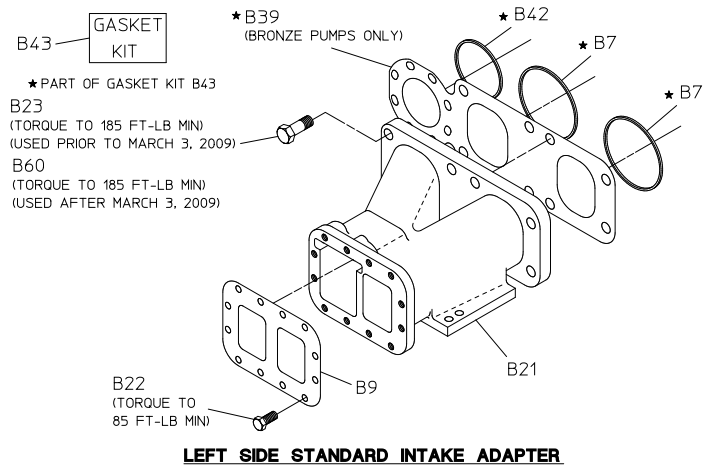
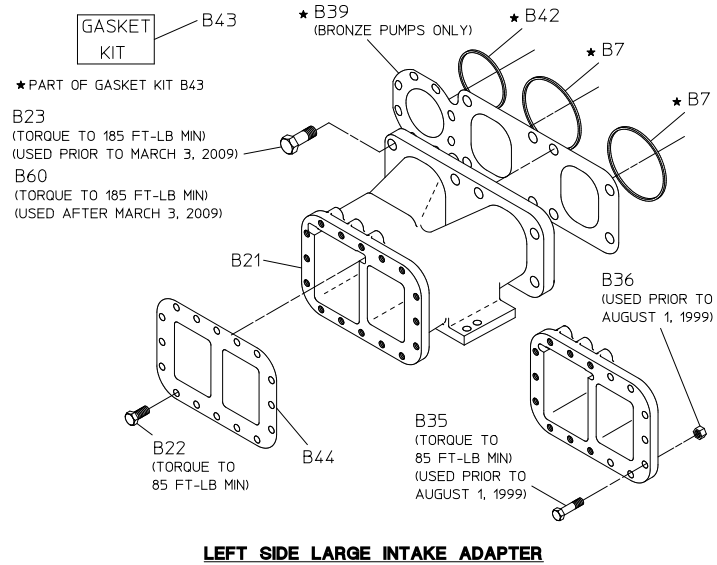
UNDERSIDE VIEW OF PUMP

- NOTES:
1. WATEROUS FURNISHES PUMP WITH B6 PIPE PLUGS INSTALLED IN THESE HOLES, BUT THE APPARATUS BUILDER MAY HAVE REMOVED THEM AND INSTALLED PIPING TO THE DRAIN VALVE.
 2. THESE ARE 1/2-13 UNC TAPPED HOLES TO ACCOMMODATE THE USE OF JACKING SCREWS DURING DISASSEMBLY.
 3. THIS IS AN UNTAPPED HOLE WHICH IS REQUIRED TO DRAIN A CORED POCKET IN THE COVER CASTING AND DOES NOT REQUIRE A PLUG.

Intake Adapters – Left Side

REF NO.	DESCRIPTION
B4	Square Hd Pipe Plug, 3/8 in.
B7	Intake Adapter Gasket
B9	Intake Fitting Gasket, Standard Intake Adapter
B21	Intake Adapter, LH
B22	Hex Hd Screw, 1/2-13 x 1-1/4 in.
B23	Hex Hd Screw, 3/4-10 x 2 in.
B31	Rear Intake Fitting Gasket
B34	Rear Intake Fitting
B35	Hex Hd Screw, 1/2-20 x 2 in.

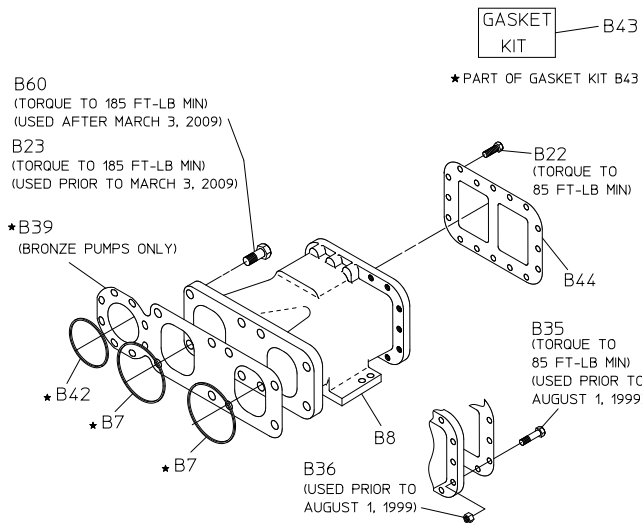
REF NO.	DESCRIPTION
B36	Hex Nut, 1/2-20
B39	Intake Flange Gasket (Bronze Body Only)
B42	Discharge Flange Gasket
B43	Gasket Kit (Consists of B7, B12, B26, B39, & B42)
B44	Intake Fitting Gasket, Large Intake Adapter
B55	Hex Hd Screw, 5/8-11 x 2 in.
B60	Socket Hd Screw, 3/4-10 x 1-3/4 with Threadlocker



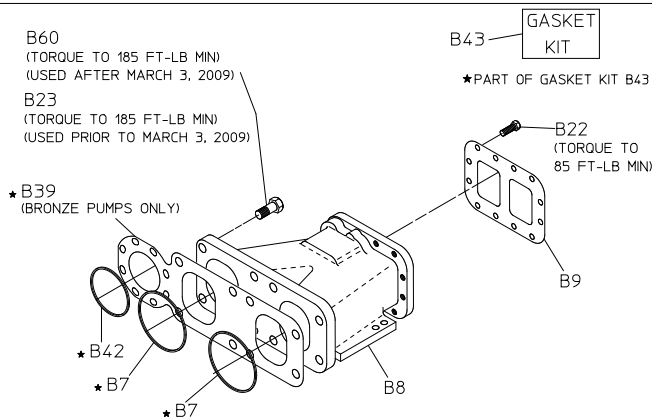
Intake Adapters – Right Side

REF NO.	DESCRIPTION
B4	Square Hd Pipe Plug, 3/8 in.
B7	Intake Adapter Gasket
B8	Intake Adapter
B9	Intake Fitting Gasket, Standard Intake Adapter
B22	Hex Hd Screw, 1/2-13 x 1-1/4 in.
B23	Hex Hd Screw, 3/4-10 x 2 in.
B31	Rear Intake Fitting Gasket
B34	Rear Intake Fitting
B35	Hex Hd Screw, 1/2-20 x 2 in.

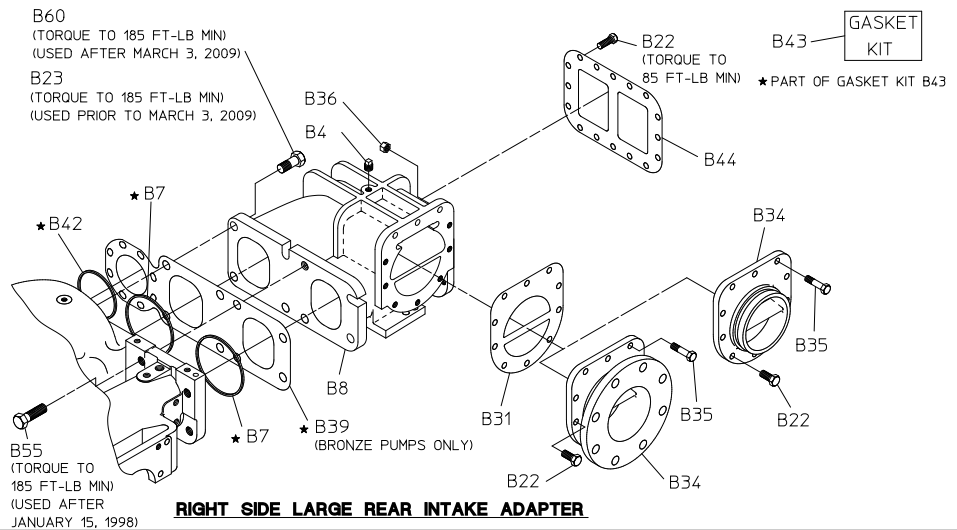
REF NO.	DESCRIPTION
B36	Hex Nut, 1/2-20
B39	Intake Flange Gasket (Bronze Body Only)
B42	Discharge Flange Gasket
B43	Gasket Kit (Consists of B7, B12, B26, B39, & B42)
B44	Intake Fitting Gasket, Large Intake Adapter
B55	Hex Hd Screw, 5/8-11 x 2 in.
B60	Socket Hd Screw, 3/4-10 x 1-3/4 with Threadlocker



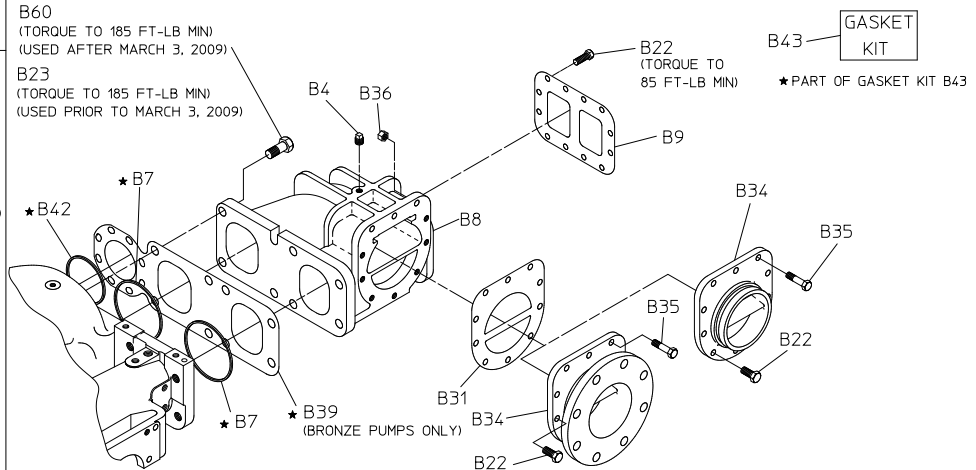
RIGHT SIDE LARGE INTAKE ADAPTER



RIGHT SIDE STANDARD INTAKE ADAPTER



RIGHT SIDE LARGE REAR INTAKE ADAPTER



RIGHT SIDE STANDARD REAR INTAKE ADAPTER

Tank to Pump Connection

REF NO.	DESCRIPTION
B19	Tank to Pump Adapter (2-1/2 in. NPT, 3 in. NPT or 4 in. ANSI)
B20	Blind Flange
B22	Hex Hd Screw, 1/2-13 x 1-1/4 in.
B26	O-ring, 6-3/4 in. x 7 in.
B27	Tank to Pump Check Valve
B37	Body Assembly (Sold as Assembly Only – Consists of Volute Body and Volute Cover)

REF NO.	DESCRIPTION
B43	Gasket Kit (Consists of B7, B12, B26, B39 and B42)
B54	Check Valve Bushing

