

Issued: 9/20/94
Revised: 01/27/09

W A T E R O U S

WATEROUS COMPANY
SOUTH ST. PAUL, MINNESOTA

PB18G SERIES PORTABLE PUMP ASSEMBLY

REF NO.	DESCRIPTION	REF NO.	DESCRIPTION
1	Drain cock	45	Gear case cover
2	Serial plate	46	Compression elbow, 90°
3	Round hd drive screw, no. 6 x 1/4 in.	47	Ball valve, 1/4 in.
4	Impeller nut	48	Pipe nipple, 1/4 x 1-1/2 in., galv.
5	Impeller washer	49	Magnetic pipe plug, 3/8 in.
6	Gear spacer	50	Gear case subassembly (includes 2, 3, 52 & 113)
7	Lock washer, 5/16 in.	51	Needle bearing, inner race
9	O-ring	52	Needle bearing
11	Shaft sleeve	53	18 HP engine replacement kit
12	O-ring	55	Breather
13	Primer tube	56	Ball valve, 1 in.
14	Compression connector, 3/8 x 1/4 in.	57	Hex hd screw, 5/16-18 x 1-3/4 in.
15	Exhaust primer subassembly	58	Rail base
16	Drive gear	59	Hex hd screw, 3/8-16 x 1 in.
19	Driven gear	60	Hex nut, 5/16-18
20	Hex hd screw, 1/4-20 x 3/4 in.	61	Nylok nut, 1/4-20
33	Square key, 3/16 x 1 in., SS	62	Rubber foot
34	Hex hd screw, 7/16-20 x 2-3/4 in.	63	Pan hd screw, 1/4-20 x 3/4 in.
35	Lock washer, 7/16 in.	64	Handle grip
36	Gear case gasket	65	Pick-up handle
37	Flat copper washer, 3/8 in.	66	Compression spring
39	Wear ring	69	Foot spacer
40	Mechanical seal	70	Pan hd screw, 1/4-20 x 2-1/4 in.
41	Impeller	81	Hex nut, 7/16-20
42	Flat washer, 1/2 in., SS	82	Oil seal
43	Hex hd screw, 3/8-24 x 1-1/8 in.	83	Oil seal
44	Volute body subassembly (includes 39)	84	Lock washer, 3/8 in.
		85	Retaining ring

PLEASE NOTE

WHEN ORDERING PARTS PLEASE SUPPLY PUMP SERIAL NUMBER

SPL82021

PAGE 1 OF 9

W A T E R O U S

WATEROUS COMPANY

SOUTH ST. PAUL, MINNESOTA

PB18G SERIES PORTABLE PUMP ASSEMBLY

REF NO.	DESCRIPTION	REF NO.	DESCRIPTION
86	Square key, 1/4 x 1 in.	125	Fuel fitting
87	Dowel pin, 1/4 x 3/4 in.	126	Fuel line
88	Spirol pin, 1/4 x 1-1/2 in.	127	Pressure gauge, 600#
89	Pipe nipple, 3/8 x 3 in.	129	Pressure gauge hose
90	Pipe elbow, 90°, 3/8 in.	131	Self-locking screw
91	O-ring	135	Switch seal
92	Spring pin, 3/16 x 1-1/4 in.	136	Switch (OFF)
94	Muffler	137	Switch (Start)
95	Primer	138	Hose clamp
97	Ball bearing	139	Pipe elbow, 90°, 1/4 in.
99	Pipe plug, 3/8 in.	142	Discharge adapter
101	Discharge adapter	143	Discharge adapter
102	Caps with chain	147	Fuel tank subassembly (includes 138, 211, 212, 213, 214 & 256)
103	Discharge adapter	148	Battery holder
104	Intake adapter	149	Battery hold down
106	Impeller shaft	151	Curved flange tee nut
108	Hex hd screw, 7/16-20 x 3 in.	152	Socket hd screw, 1/4-20 x 1 in.
109	Hex hd screw, 1/4-20 x 1 in.	153	Pump decal
110	Litter base	160	Hex nut, 1/4-20
111	End frame	164	Socket hd screw, 3/8-16 x 1-1/4 in.
112	Side frame	168	Button plug
113	Oil level plate	171	Elbow, male, 90°
114	Spark arrestor	172	Cable clamp
119	Instrument panel	180	Wire subassembly, battery to solenoid, red
122	Wire subassembly, battery to ground, black	182	Wire subassembly, solenoid to start switch, red
123	Wire subassembly, off switch to ground, black	183	Wire subassembly, start switch to light switch, red
124	Wire subassembly, off switch to magneto, black	184	Wire subassembly, light switch to light, red

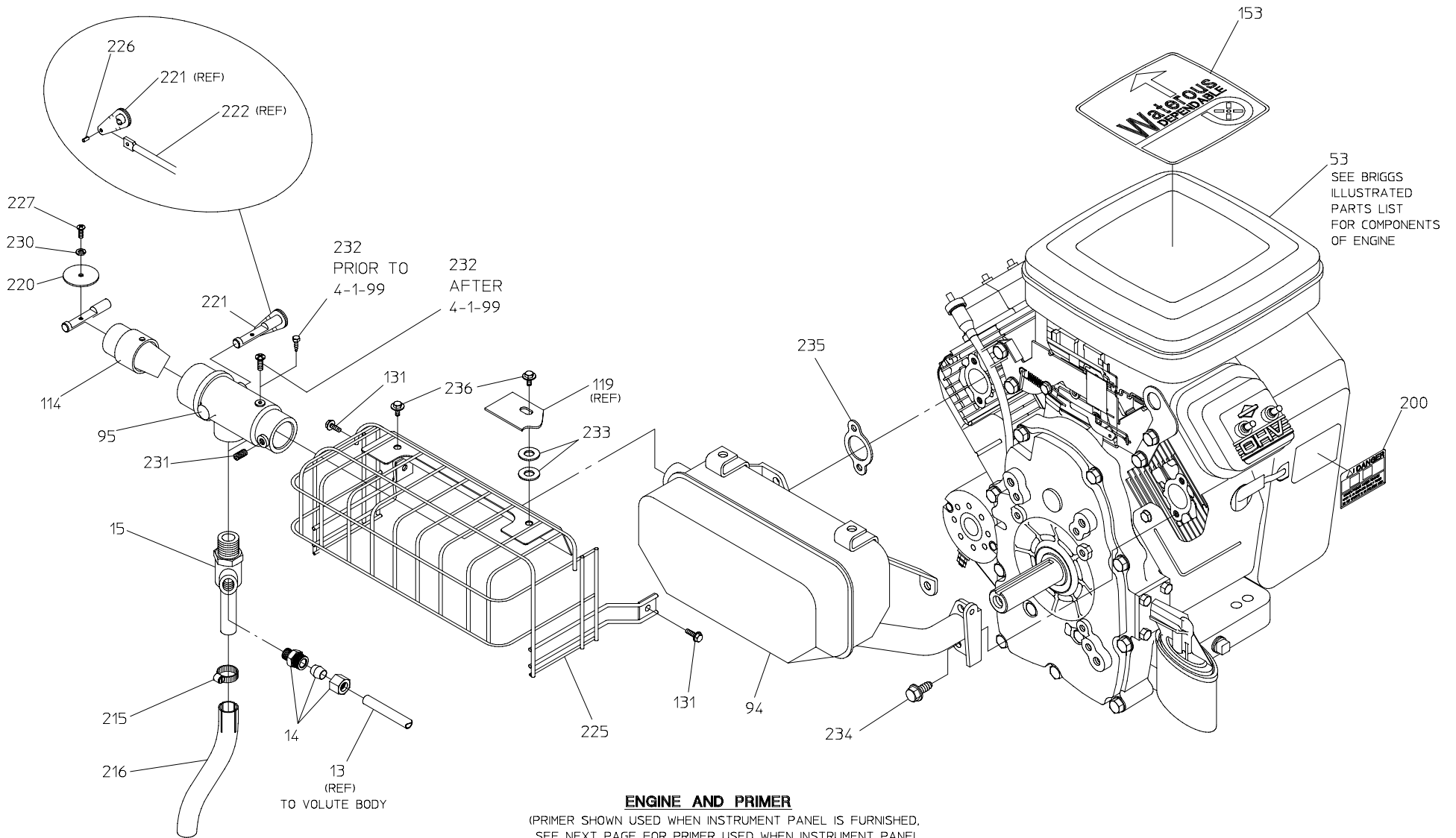
W A T E R O U S

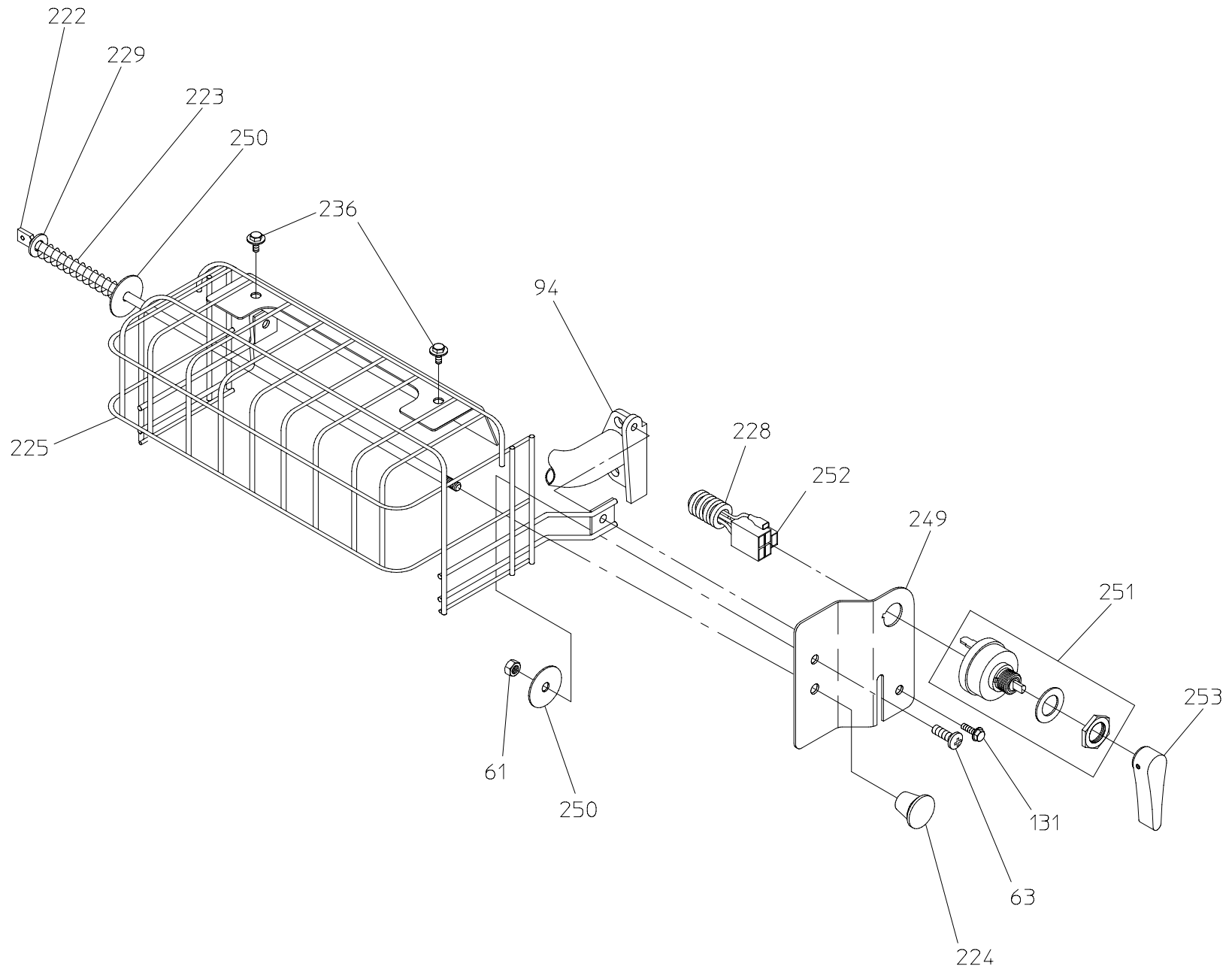
WATEROUS COMPANY

SOUTH ST. PAUL, MINNESOTA

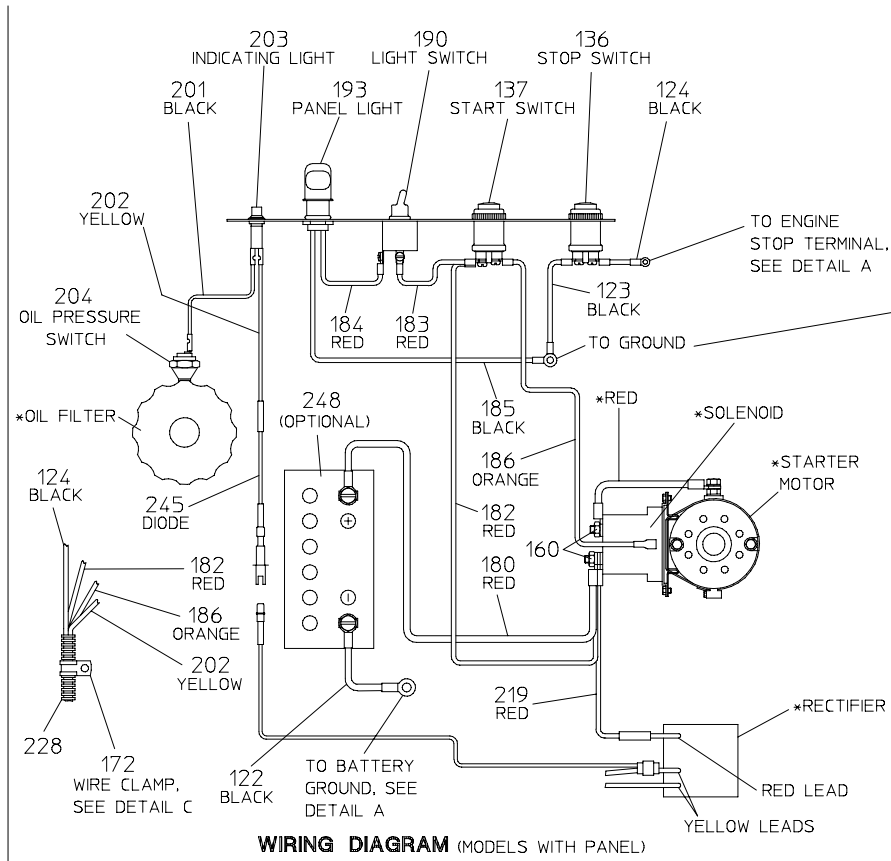
PB18G SERIES PORTABLE PUMP ASSEMBLY

REF NO.	DESCRIPTION	REF NO.	DESCRIPTION
185	Wire subassembly, light to ground, black	222	Butterfly linkage rod
186	Wire subassembly, solenoid to start switch, orange	223	Compression spring
189	Panel plate	224	Push/pull knob
190	Switch (light)	225	Muffler guard
192	Bulb, 12 volt, #68	226	Spirol pin, 1/8 x 5/16 in.
193	Panel light	227	Pan hd screw, 8-32 x 3/8 in.
200	Warning label	228	Wire protector
201	Wire subassembly, indicating light to oil pressure switch, black	229	Plain washer, 1/4 in.
202	Wire subassembly, alternator to indicating light, yellow	230	Lock washer, no. 8
203	Indicating light, red	231	Set screw, 1/4-20 x 1/2 in.
204	Oil pressure switch	232	Self tapping screw, #6 x 1/2 in. or Pan hd screw, #10-24 x 1/2 in.
205	Oil pressure decal	233	Plain washer, 3/8 in.
211	Fuel tank	234	Muffler screw
212	Hose connector	235	Muffler gasket
213	Fuel line kit	236	Guard screw
214	Quick-release connector	245	Diode
215	Hose clamp	248	12 volt battery
216	Extension tube	249	Primer rod support
219	Wire assembly, 18 gage, red	250	Fender washer, 1/4 in.
220	Butterfly valve	251	Ignition switch
221	Butterfly shaft	252	Wiring harness
		256	Fuel cap

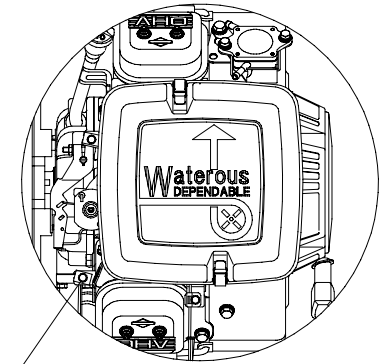
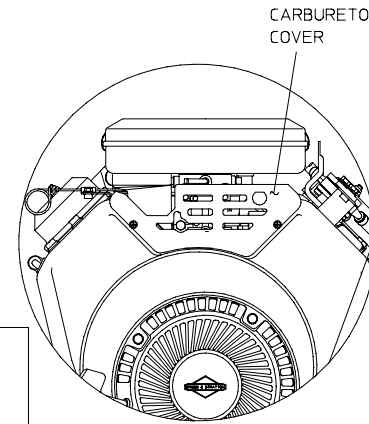
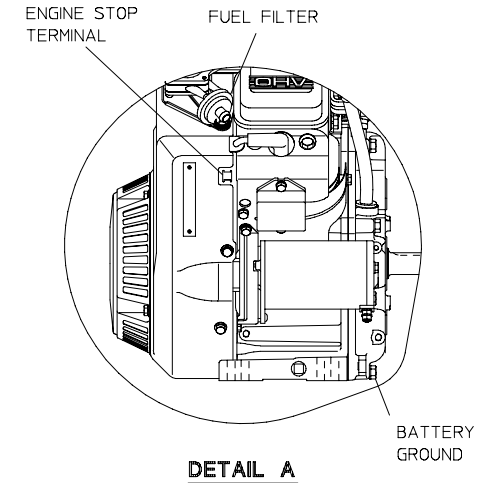
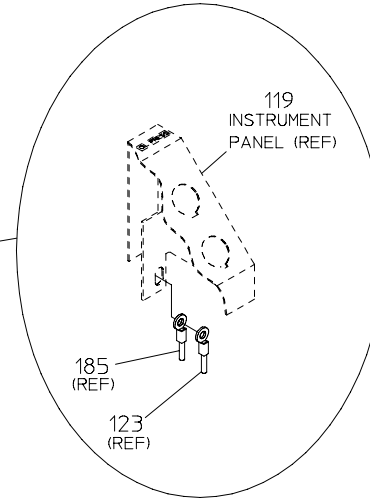
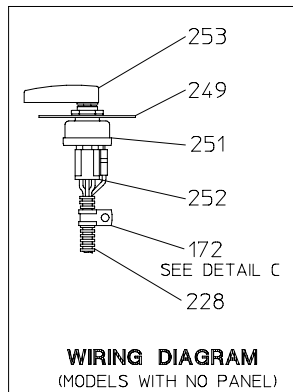
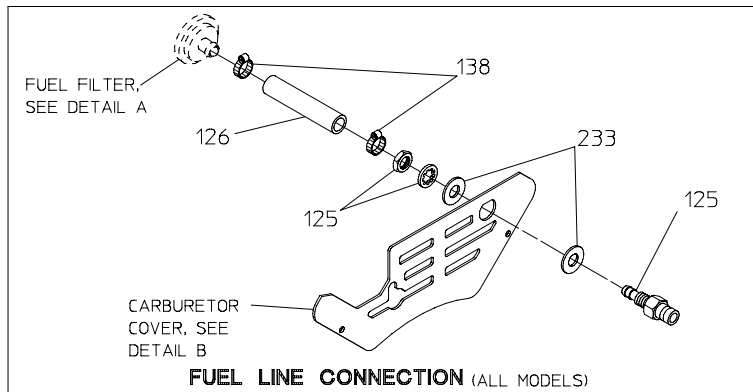




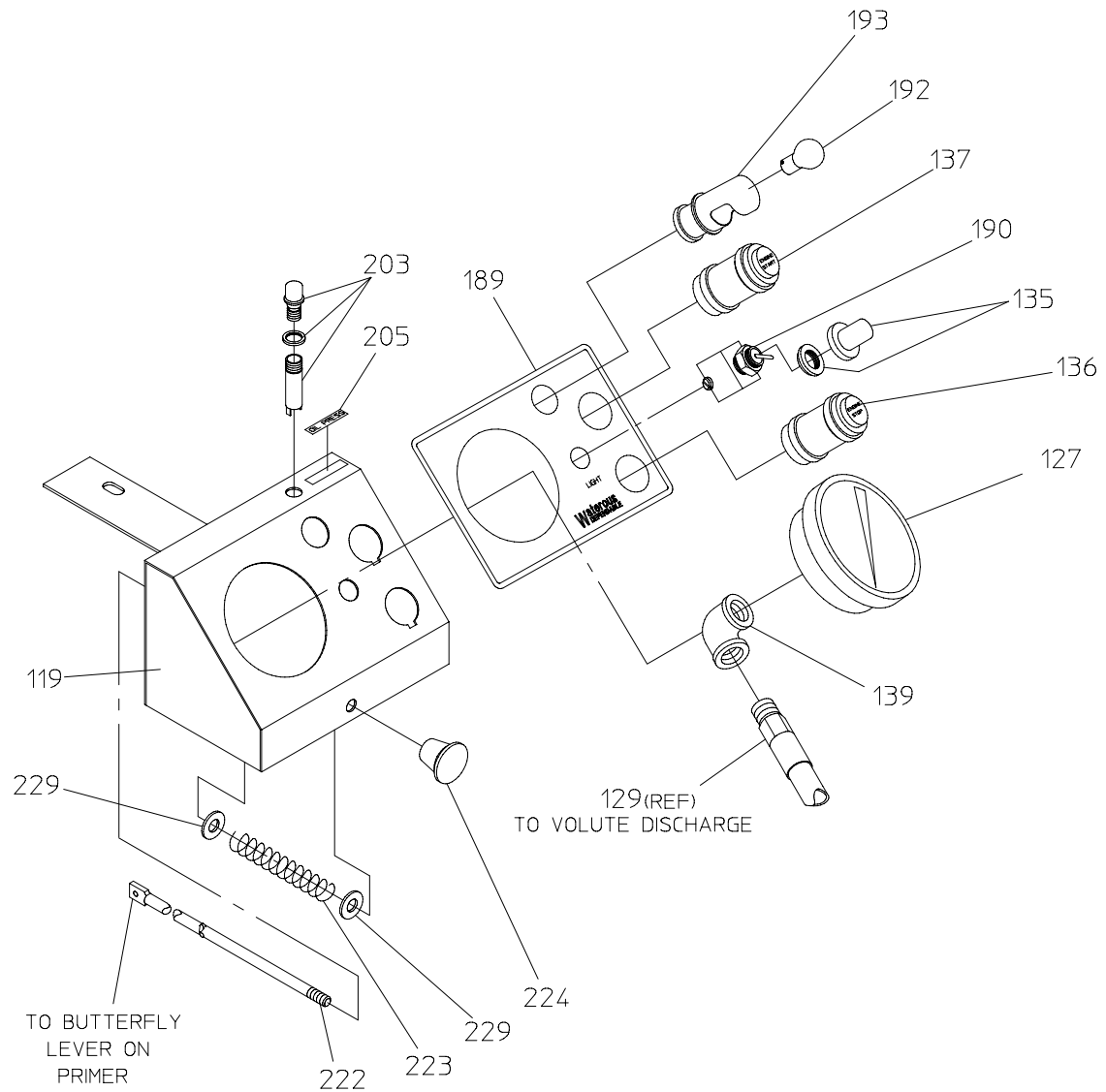
PRIMER CONTROL & IGNITION SWITCH
 (MODELS WITHOUT PANEL)



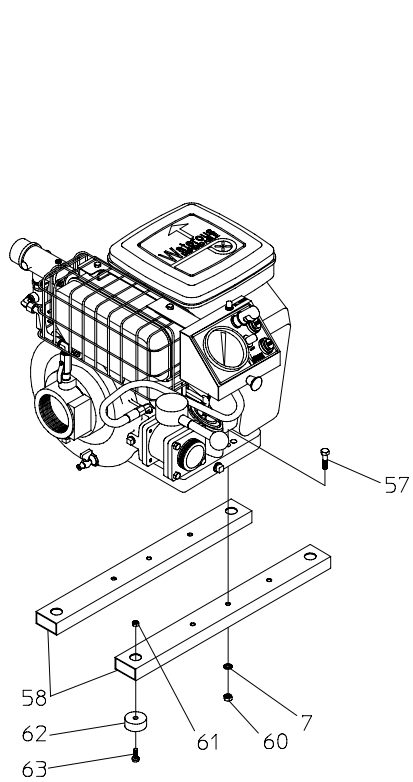
* THESE PARTS NOT AVAILABLE FROM WATEROUS.
SEE AN AUTHORIZED BRIGGS & STRATTON SERVICE DEALER.



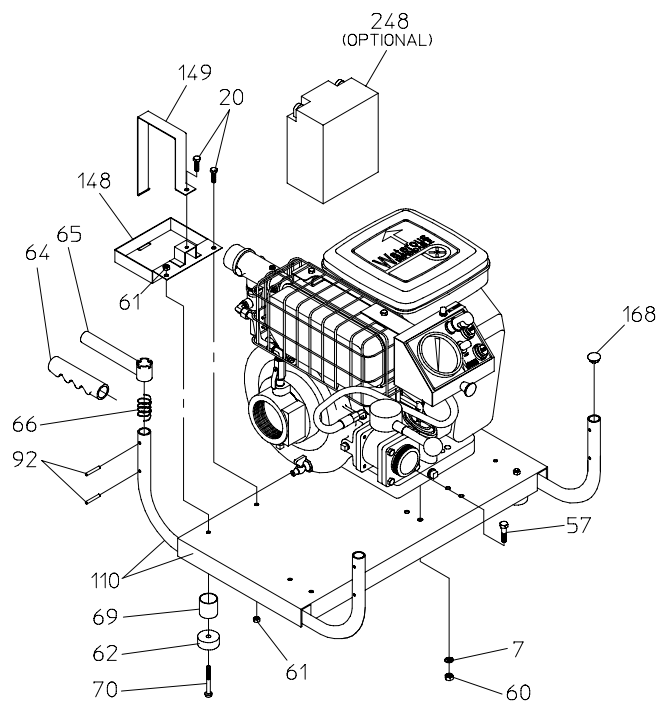
WIRING DIAGRAMS & FUEL LINE CONNECTION (ALL MODELS)



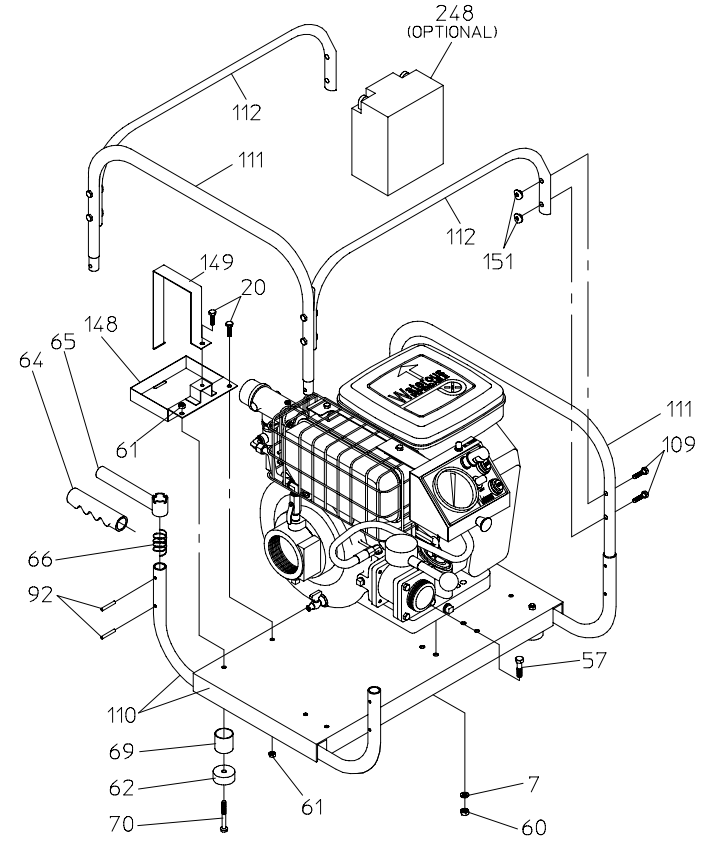
OPTIONAL INSTRUMENT PANEL



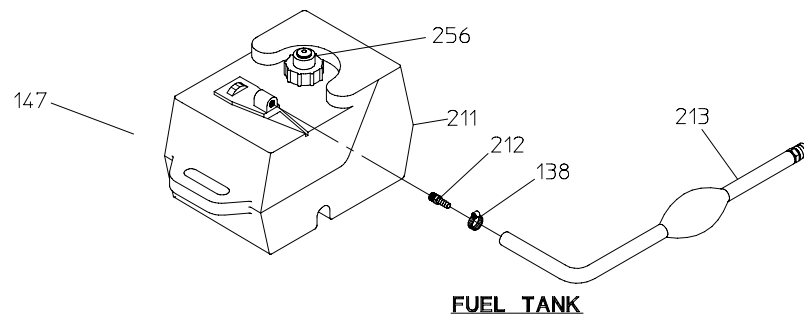
RAIL BASE



LITTER BASE



WRAP-AROUND BASE



FUEL TANK