



Document Number	Issue Date	Rev. Date
<b>SPL82044</b>	<b>09/13/94</b>	<b>7/16/21</b>

## CR Pump Body Assembly Service Parts List

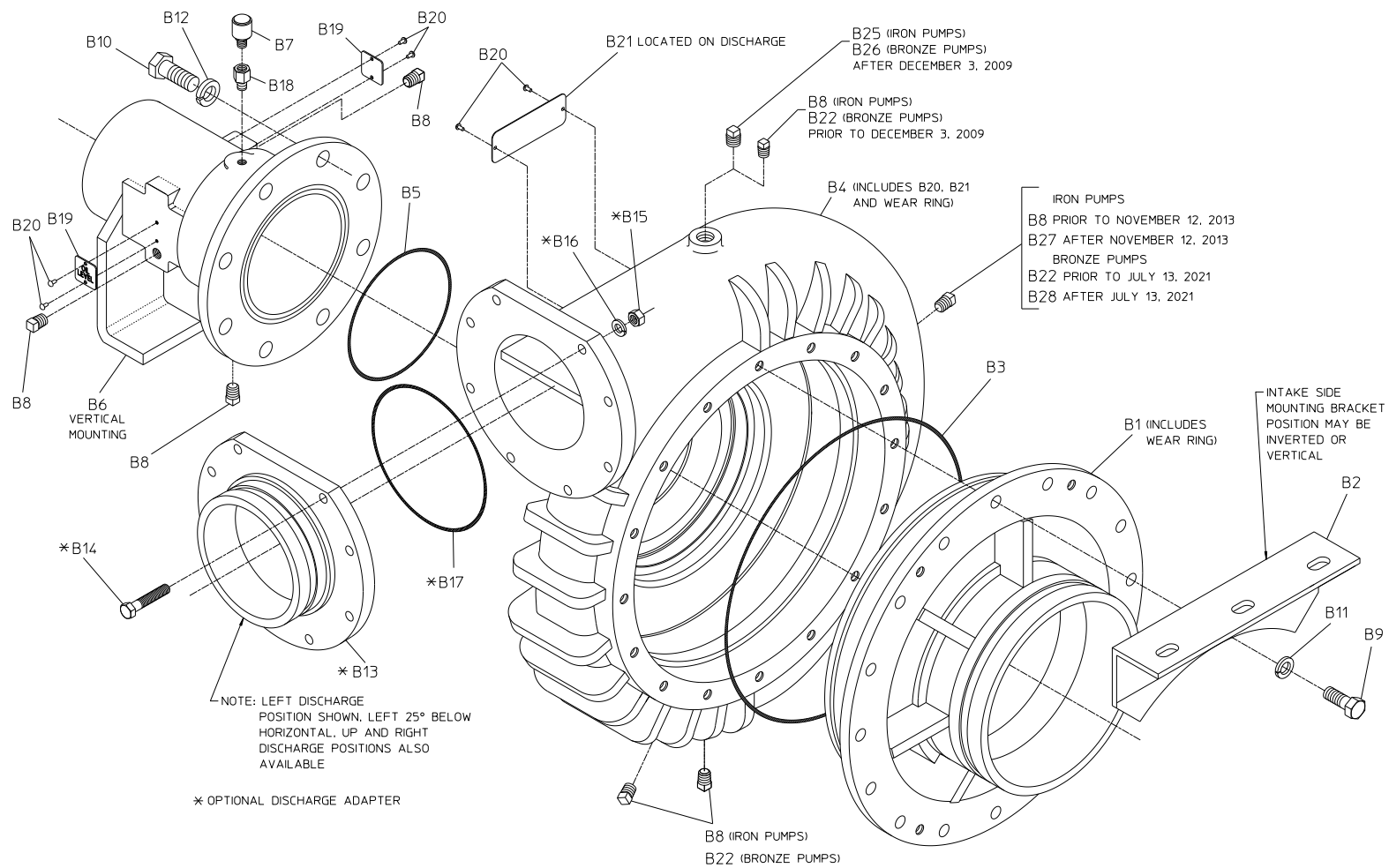
<b>Pump Model</b> <i>(Located on Pump Serial Plate)</i>	<b>See Page</b>
CR	2, 3
CRQA	4, 5
CRQB	See Service Parts List SPL83164

## Model CR

REF. NO.	DESCRIPTION
B1	Intake Adapter (Includes Wear Ring)
B2	Mounting Bracket
B3	O-ring, 13 x 13-1/4 in.
B4	Volute Body (Includes B20, B21 and Wear Ring)
B5	O-ring, 5-5/8 x 5-7/8 in.
B6	Bearing Housing
B7	Breather
B8	Steel Pipe Plug, 1/4 NPT
B9	Hex Hd Screw, 1/2-13 x 7/8 in.
B10	Hex Hd Screw, 5/8-11 x 1-1/2 in.
B11	Lock Washer, 1/2 in.
B12	Lock Washer, 5/8 in.
B13*	Discharge Adapter

REF. NO.	DESCRIPTION
B14*	Hex Hd Screw, 3/8-24 x 2 in.
B15*	Hex Nut, 3/8-24
B16*	Lock Washer, 3/8 in.
B17*	O-ring, 6-1/4 x 6-1/2 in.
B18	Snubber
B19	Oil Level Plug
B20	Drive Screw, No. 6 x 1/4 in.
B21	Serial Plate
B22	Brass Pipe Plug, 1/4 NPT
B25	Steel Pipe Plug, 3/8 NPT
B26	Brass Pipe Plug, 3/8 NPT
B27	Steel Pipe Plug, 3/4 NPT
B28	Brass Pipe Plug, 3/4 NPT

**\* These items are optional.**



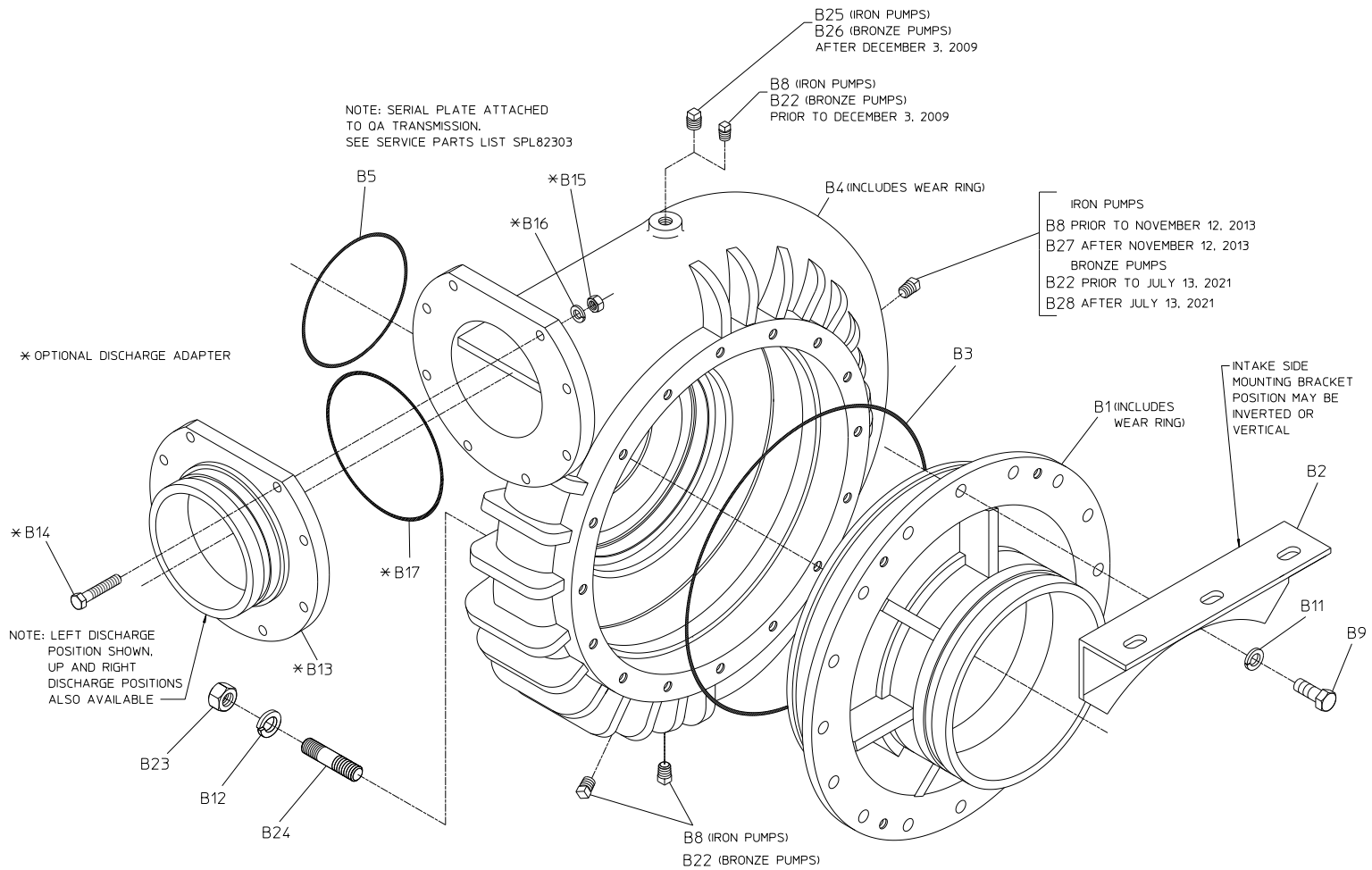
**MODEL CR**

## Model CRQA

REF. NO.	DESCRIPTION
B1	Intake Adapter (Includes Wear Ring)
B2	Mounting Bracket
B3	O-ring, 13 x 13-1/4 in.
B4	Volute Body (Includes Wear Ring)
B5	O-ring, 5-5/8 x 5-7/8 in.
B8	Steel Pipe Plug, 1/4 NPT
B9	Hex Hd Screw, 1/2-13 x 7/8 in.
B11	Lock Washer, 1/2 in.
B12	Lock Washer, 5/8 in.
B13*	Discharge Adapter

REF. NO.	DESCRIPTION
B14*	Hex Hd Screw, 3/8-24 x 2 in.
B15*	Hex Nut, 3/8-24
B16*	Lock Washer, 3/8 in.
B17*	O-ring, 6-1/4 x 6-1/2 in.
B22	Brass Pipe Plug, 1/4 NPT
B23	Hex Nut, 5/8-18
B24	Stud, 5/8 NC x NF
B25	Steel Pipe Plug, 3/8 NPT
B26	Brass Pipe Plug, 3/8 NPT
B27	Steel Pipe Plug, 3/4 NPT
B28	Brass Pipe Plug, 3/4 NPT

**\* These items are optional.**



**MODEL CRQA**