



Document Number	Issue Date	Rev. Date
SPL82182	11/29/95	01/12/13

Model TPA Power Take-Off Service Parts List

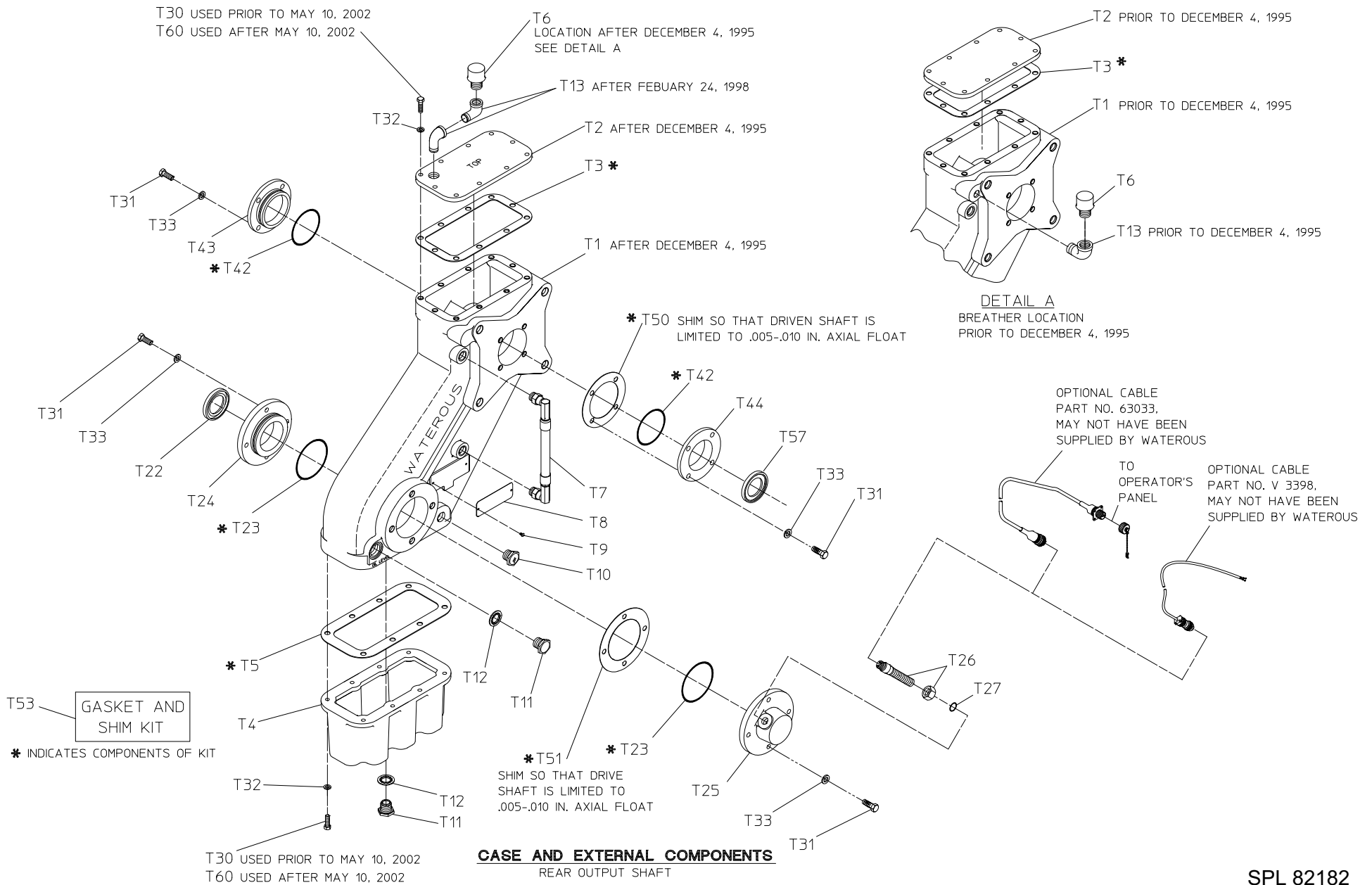
Output Shaft	Components	See Page
Rear (Opposite Side of Input Shaft)	Case and External Components	2, 3
	Driveline and Components	4, 5
Front (Same Side as Input Shaft)	Case and External Components	6, 7
	Driveline and Components	8, 9

Note: When ordering repair parts, please provide P.T.O. series number.

Case and External Components Rear Output Shaft

REF. NO.	DESCRIPTION
T1	Chain case assembly
T2	Top cover
T3	Top gasket
T4	Case bottom assembly
T5	Bottom gasket
T6	Breather, 1/2 NPT
T7	Hose assembly
T8	Serial plate
T9	Rnd hd drive screw, no. 6 x 1/4 in.
T10	Sight plug
T11	Drain plug
T12	Plug seal
T13	Street elbow, 90°, 1/2 in.
T22	Oil seal, 2 x 2-5/8 in.
T23	O-ring, 3-1/4 x 3-1/2 in.
T24	Oil seal housing

REF. NO.	DESCRIPTION
T25	Tachometer housing
T26	Magnetic pickup
T27	O-ring, 5/8 x 3/4 in.
T30	Hex hd screw, 5/16-18 x 1 in.
T31	Hex hd screw, 3/8-16 x 1-1/4 in.
T32	Lockwasher, 5/16 in.
T33	Lockwasher, 3/8 in.
T42	O-ring, 2-7/8 x 3-1/8 in.
T43	Oil seal housing
T44	Oil seal housing
T50	Driven shaft shim, 0.005 and 0.010 in. thick
T51	Drive shaft shim, 0.005 and 0.010 in. thick
T53	Gasket and shim repair kit
T57	Oil seal, 1-5/8 x 2-5/8 in.
T60	Hex hd screw, 5/16-18 x 7/8 in.



Driveline and Internal Components Rear Output Shaft

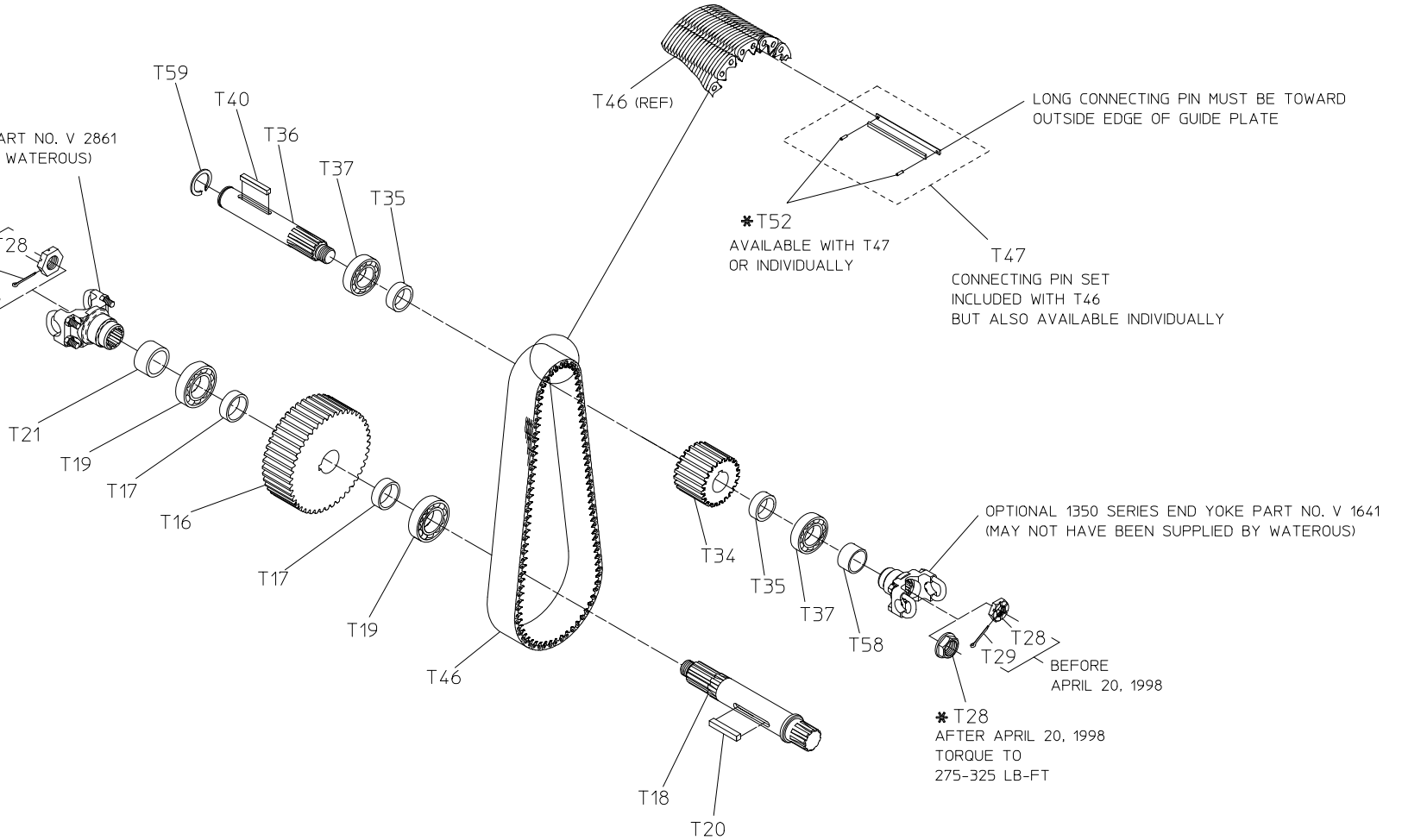
REF. NO.	DESCRIPTION
T16	Drive sprocket
T17	Drive shaft spacer
T18	Drive shaft
T19	Ball bearing, single row
T20	Square key, 3/8 x 3/8 x 2-1/4 in.
T21	Oil seal sleeve
T28	Shaft nut
T29	Cotter pin, 1/8 x 1-3/4 in.
T34	Driven sprocket

REF. NO.	DESCRIPTION
T35	Driven shaft spacer
T36	Driven shaft
T37	Ball bearing, single row
T40	Square key, 5/16 x 5/16 x 2-5/16 in.
T46	Drive chain
T47	Connecting pin set
T52	Spirol pin, heavy, 1/16 in.
T58	Oil seal sleeve
T59	Retaining ring

OPTIONAL 1410 SERIES END YOKE PART NO. V 2861
(MAY NOT HAVE BEEN SUPPLIED BY WATEROUS)

BEFORE
APRIL 20, 1998

* T28
AFTER APRIL 10, 1998
TORQUE TO
275-325 LB-FT



LONG CONNECTING PIN MUST BE TOWARD
OUTSIDE EDGE OF GUIDE PLATE

* T52
AVAILABLE WITH T47
OR INDIVIDUALLY

T47
CONNECTING PIN SET
INCLUDED WITH T46
BUT ALSO AVAILABLE INDIVIDUALLY

OPTIONAL 1350 SERIES END YOKE PART NO. V 1641
(MAY NOT HAVE BEEN SUPPLIED BY WATEROUS)

BEFORE
APRIL 20, 1998

* T28
AFTER APRIL 20, 1998
TORQUE TO
275-325 LB-FT

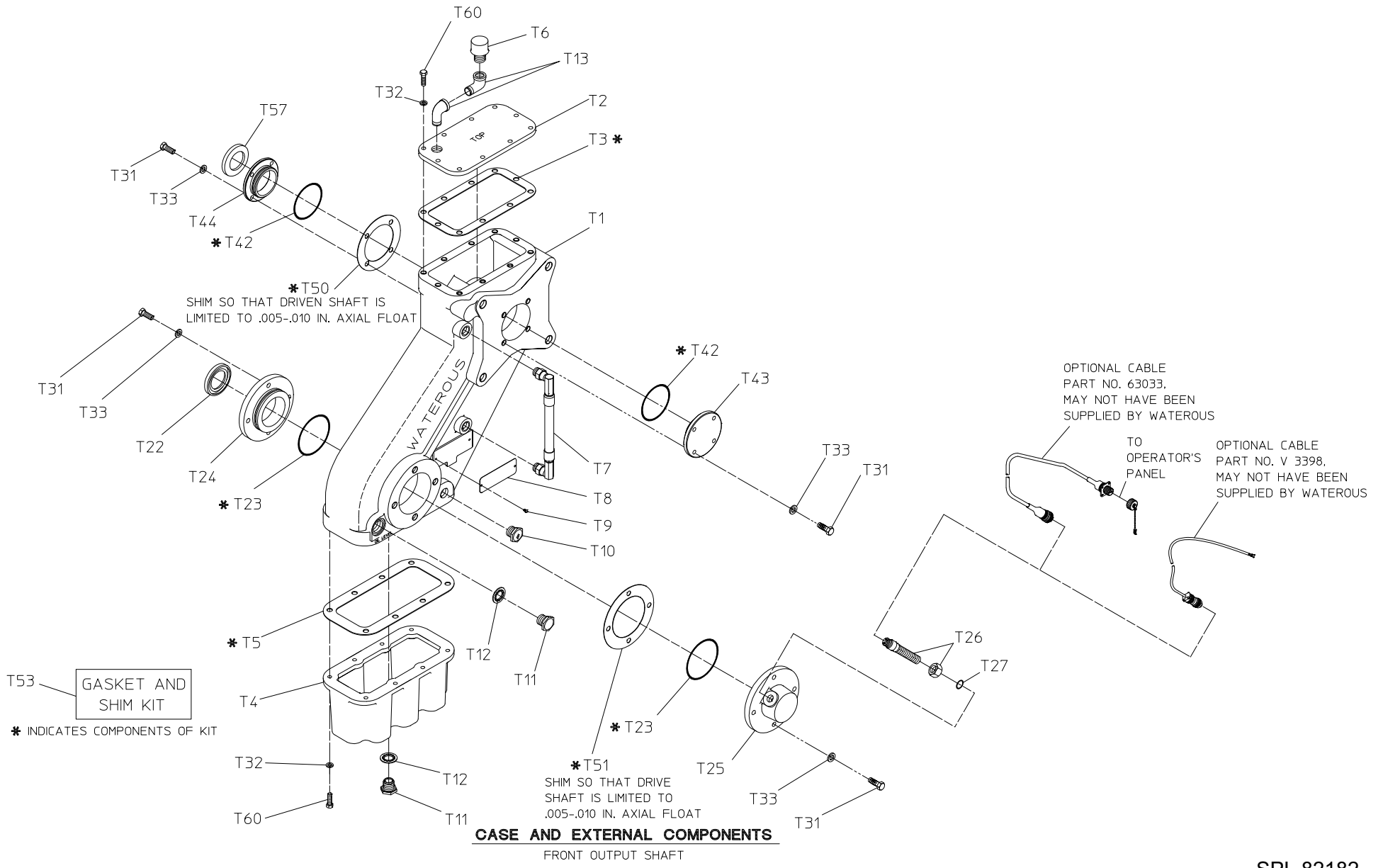
DRIVELINE AND INTERNAL COMPONENTS

REAR OUTPUT SHAFT

Case and External Components Front Output Shaft

REF. NO.	DESCRIPTION
T1	Chain case assembly
T2	Top cover
T3	Top gasket
T4	Case bottom assembly
T5	Bottom gasket
T6	Breather, 1/2 NPT
T7	Hose assembly
T8	Serial plate
T9	Rnd hd drive screw, no. 6 x 1/4 in.
T10	Sight plug
T11	Drain plug
T12	Plug seal
T13	Street elbow, 90°, 1/2 in.
T22	Oil seal, 2 x 2-5/8 in.
T23	O-ring, 3-1/4 x 3-1/2 in.
T24	Oil seal housing

REF. NO.	DESCRIPTION
T25	Tachometer housing
T26	Magnetic pickup
T27	O-ring, 5/8 x 3/4 in.
T30	Hex hd screw, 5/16-18 x 1 in.
T31	Hex hd screw, 3/8-16 x 1-1/4 in.
T32	Lockwasher, 5/16 in.
T33	Lockwasher, 3/8 in.
T42	O-ring, 2-7/8 x 3-1/8 in.
T43	Oil seal housing
T44	Oil seal housing
T50	Driven shaft shim, 0.005 and 0.010 in. thick
T51	Drive shaft shim, 0.005 and 0.010 in. thick
T53	Gasket and shim repair kit
T57	Oil seal, 1-5/8 x 2-5/8 in.
T60	Hex hd screw, 5/16-18 x 7/8 in.



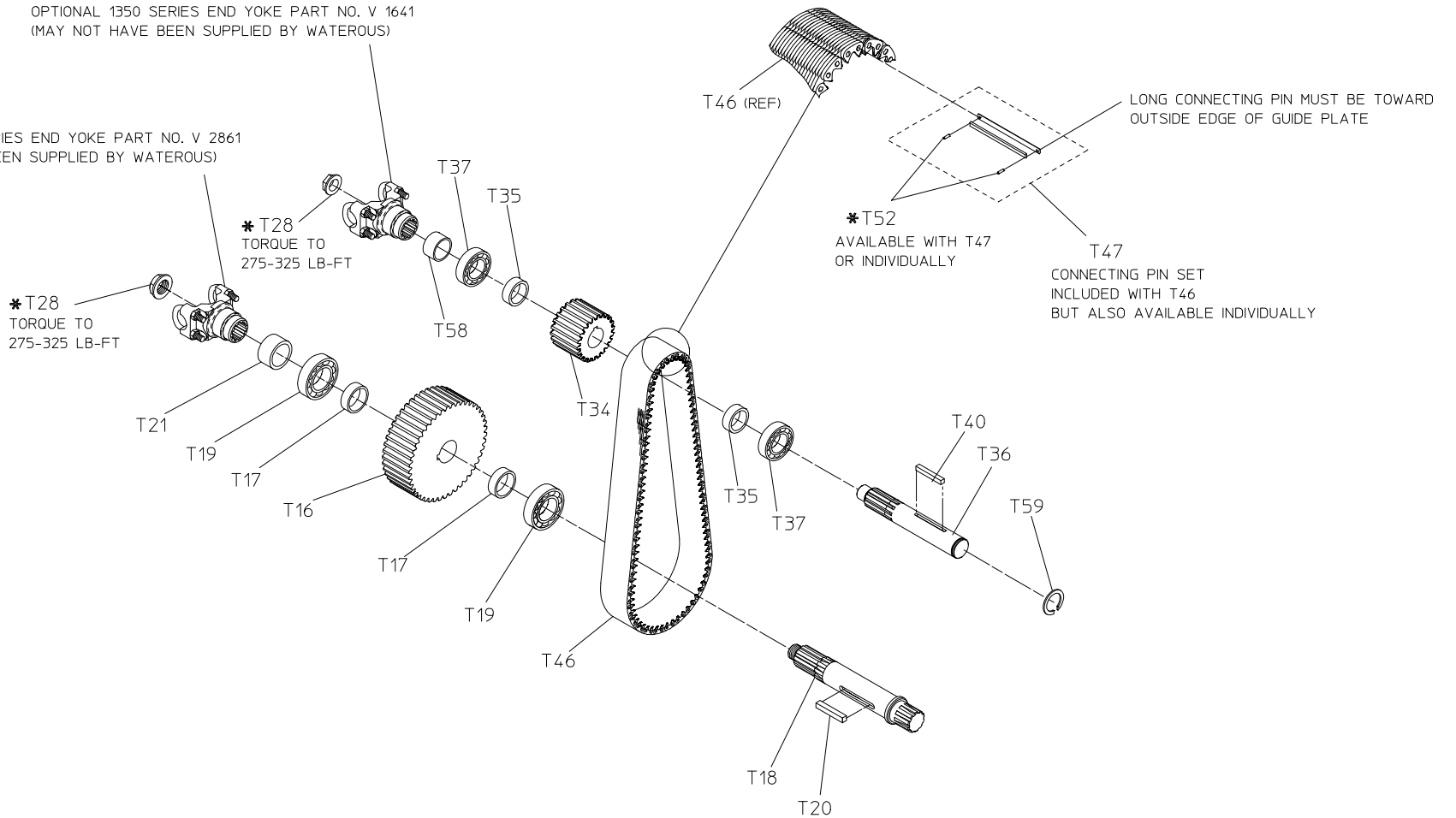
Driveline and Internal Components Front Output Shaft

REF. NO.	DESCRIPTION
T16	Drive sprocket
T17	Drive shaft spacer
T18	Drive shaft
T19	Ball bearing, single row
T20	Square key, 3/8 x 3/8 x 2-1/4 in.
T21	Oil seal sleeve
T28	Shaft nut
T29	Cotter pin, 1/8 x 1-3/4 in.
T34	Driven sprocket

REF. NO.	DESCRIPTION
T35	Driven shaft spacer
T36	Driven shaft
T37	Ball bearing, single row
T40	Square key, 5/16 x 5/16 x 2-5/16 in.
T46	Drive chain
T47	Connecting pin set
T52	Spirol pin, heavy, 1/16 in.
T58	Oil seal sleeve
T59	Retaining ring

OPTIONAL 1350 SERIES END YOKE PART NO. V 1641
(MAY NOT HAVE BEEN SUPPLIED BY WATEROUS)

OPTIONAL 1410 SERIES END YOKE PART NO. V 2861
(MAY NOT HAVE BEEN SUPPLIED BY WATEROUS)



DRIVELINE AND INTERNAL COMPONENTS

FRONT OUTPUT SHAFT