



Document Number	Issue Date	Rev. Date
SPL 82256	08/05/96	1/7/20

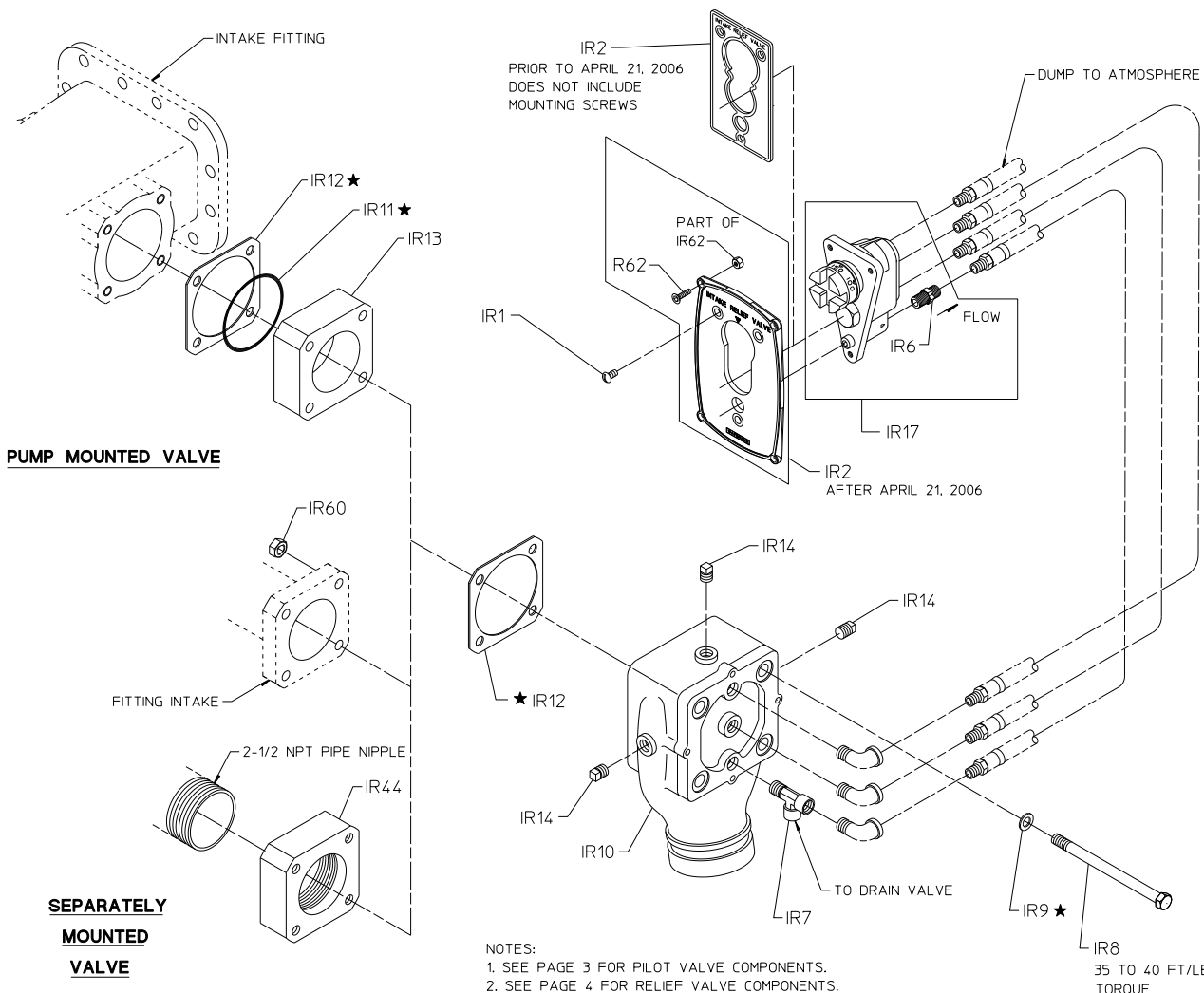
Intake Relief Valve Assembly

Component	See Page
Pump Mounted Valve	2, 3
Separately Mounted Valve	2, 3
Pilot Valve Assembly Components	4, 5
Relief Valve Assembly Components	6, 7

Pump Mounted, Separately Mounted Valves

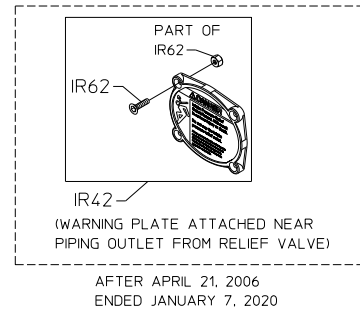
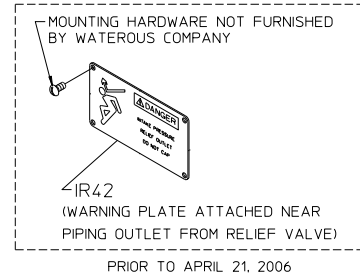
REF. NO.	DESCRIPTION
IR1	Round Hd Screw, 1/4-20 x 1-1/4 in.
IR2	Panel Plate or Control Panel Assembly
IR6	Check Valve, 1/4 in.
IR7	Street Tee, 1/4 in.
IR8	Hex Hd Screw, 7/16-14 x 3-1/4, 4 or 5 in.
IR9	Copper Washer, 7/16 in.
IR10	Intake Relief Valve
IR11	O-ring
IR12	Extension Gasket

REF. NO.	DESCRIPTION
IR13	Extension
IR14	Pipe Plug, 1/4 in.
IR17	Pilot Valve Subassembly (Includes IR6 Check Valve)
IR42	Warning Panel Plate
IR44	Tapped Flange, 2-1/2 NPT
IR46	Relief Valve Repair Kit (Includes IR9, IR11, IR12, IR36, IR38, IR41, IR43, IR48 & IR49)
IR47	Pilot Valve Repair Kit (Includes IR15, IR16, IR18, IR19, IR29, IR31, IR32, IR34, IR50, IR51, IR52, IR54, IR57, IR59 & IR61)
IR60	Hex Nut, 7/16-14
IR62	Control Panel Mounting Hardware



PUMP MOUNTED VALVE

SEPARATELY MOUNTED VALVE



RELIEF VALVE REPAIR KIT IR46

★ COMPONENTS OF RELIEF VALVE REPAIR KIT IR46

PILOT VALVE REPAIR KIT IR47

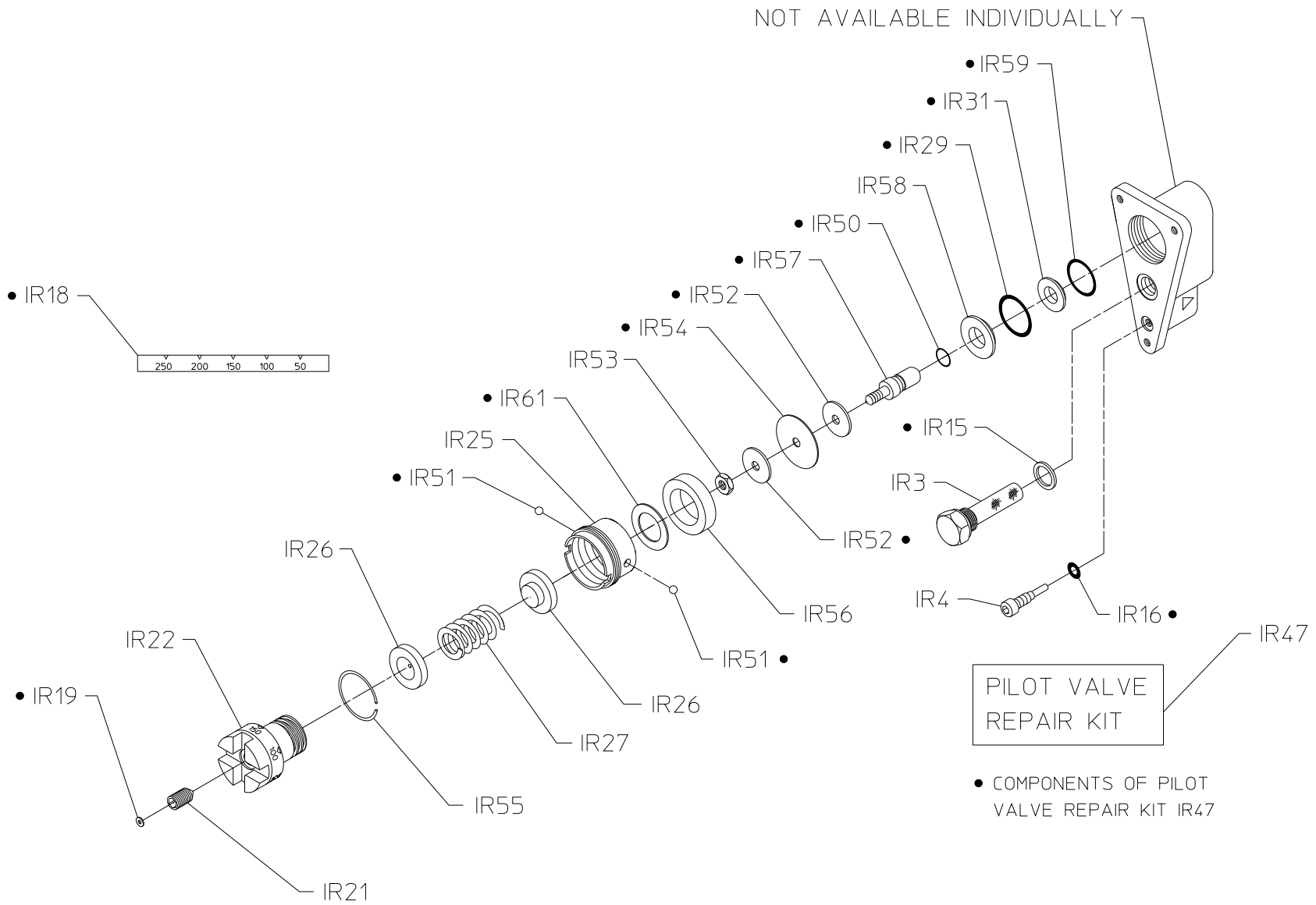
• COMPONENTS OF PILOT VALVE REPAIR KIT IR47

NOTES:
1. SEE PAGE 3 FOR PILOT VALVE COMPONENTS.
2. SEE PAGE 4 FOR RELIEF VALVE COMPONENTS.

Pilot Valve Assembly Components

REF. NO.	DESCRIPTION
IR3	Strainer Insert
IR4	Throttle Screw
IR15	Strainer Gasket
IR16	O-ring
IR18	Setting Ring Scale
IR19	Tamper Resistant Plug
IR21	Adjusting Screw
IR22	Setting Screw
IR25	Thread Ring
IR26	Spring Plate
IR27	Pressure Spring
IR29	O-ring
IR31	Piston Seat

REF. NO.	DESCRIPTION
IR47	Pilot Valve Repair Kit (Includes IR15, IR16, IR18, IR19, IR29, IR31, IR32, IR34, IR50, IR51, IR52, IR54, IR57, IR59 & IR61)
IR50	O-ring
IR51	Ball
IR52	Clamp Disc
IR53	Hex Nut
IR54	Diaphragm
IR55	Circlip
IR56	Pressure Disc
IR57	Control Piston
IR58	Guide Ring
IR59	O-ring
IR61	Piston Stop Disc

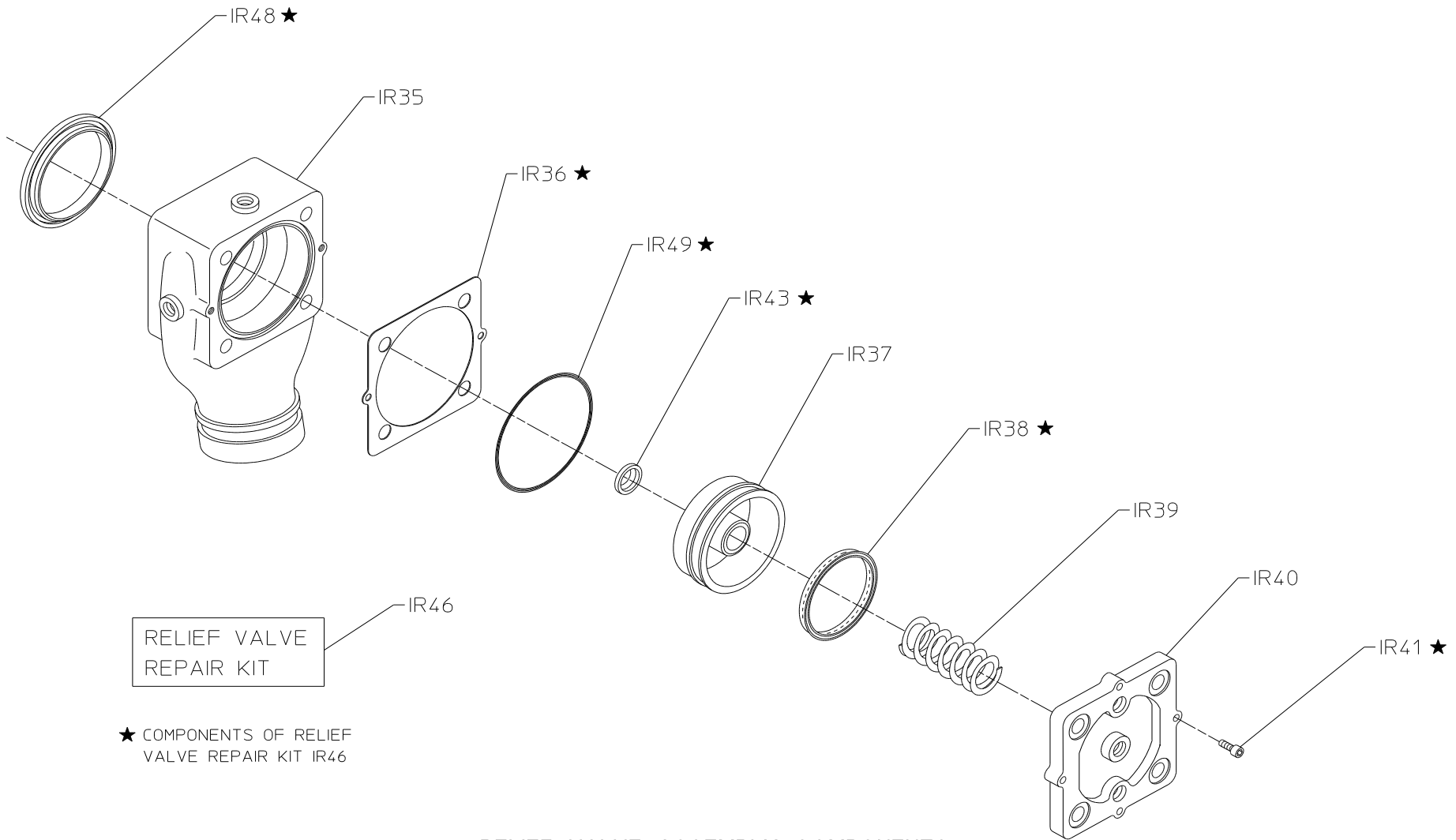


PILOT VALVE ASSEMBLY COMPONENTS

Relief Valve Assembly Components

REF. NO.	DESCRIPTION
IR35	Body
IR36	Cover Gasket
IR37	Piston
IR38	U-ring
IR39	Spring
IR40	Cover

REF. NO.	DESCRIPTION
IR41	Socket Hd Screw, 5mm x 16mm
IR43	X-ring
IR46	Relief Valve Repair Kit (Includes IR9, IR11, IR12, IR36, IR38, IR41, IR43, IR48 & IR49)
IR48	Gasket Seat
IR49	O-ring



RELIEF VALVE ASSEMBLY COMPONENTS