



Document Number	Issue Date	Rev. Date
SPL82303	12/02/97	11/22/17

QA Series Transmission Service Parts List

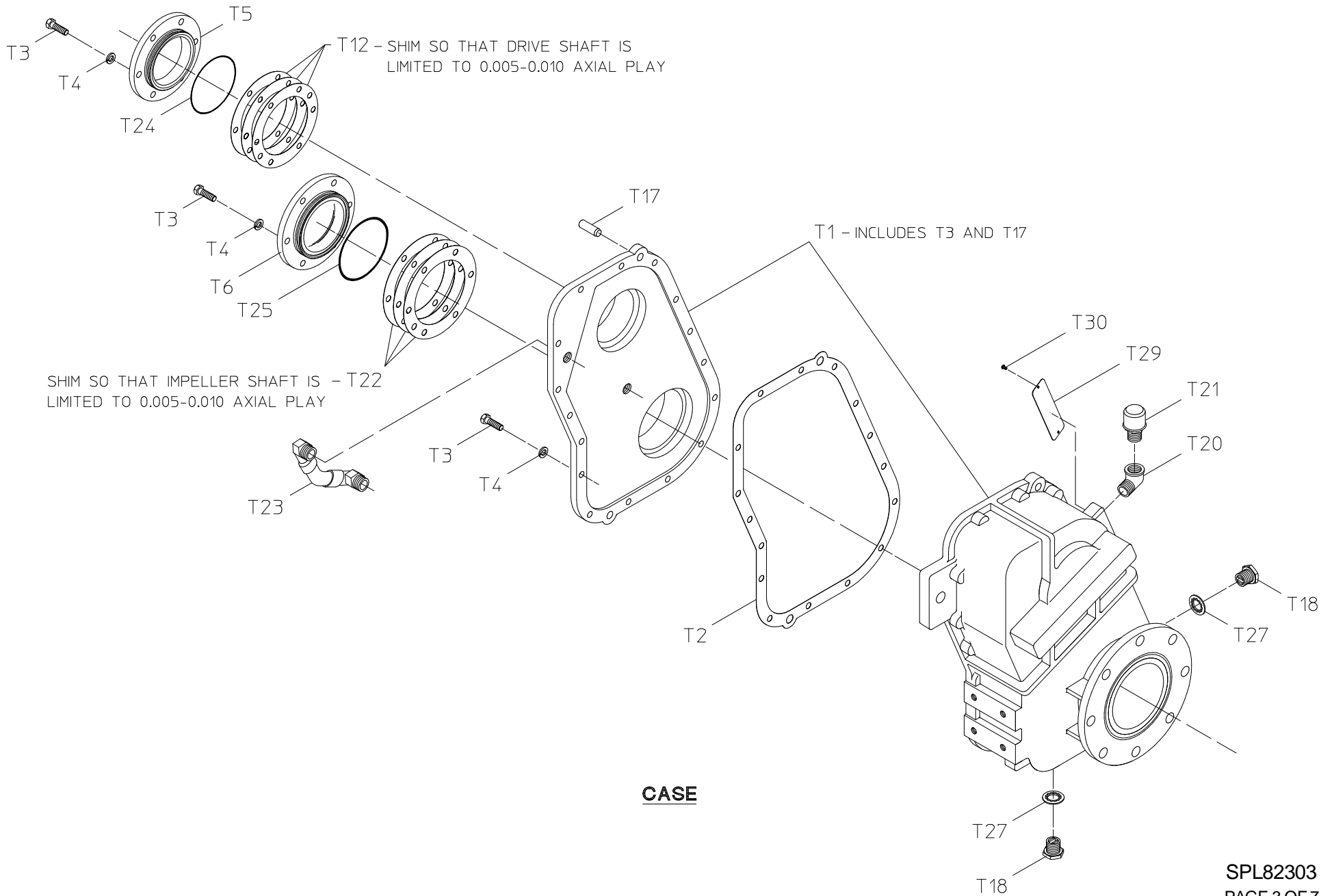
As used with CR Series Fire Pumps

Pump Model <i>(Located on Pump Serial Plate)</i>	Component	See Page
CRQA	Case	2, 3
	Driveline	4, 5
	Cross-Section View	6, 7

Case

REF. NO.	DESCRIPTION
T1	Case Subassembly (Includes T3 & T17)
T2	Gasket
T3	Hex Head Screw, 3/8-16 x 1-1/4 in.
T4	Lockwasher, 3/8 in.
T5	Oil Seal Housing
T6	Bearing Cover
T12	Drive Shaft Housing Shim (.005 Blue, .007 Natural, .010 Brown)
T17	Dowel Pin, 1/2 x 1-1/2 in.
T18	Drain Plug, 3/4-16

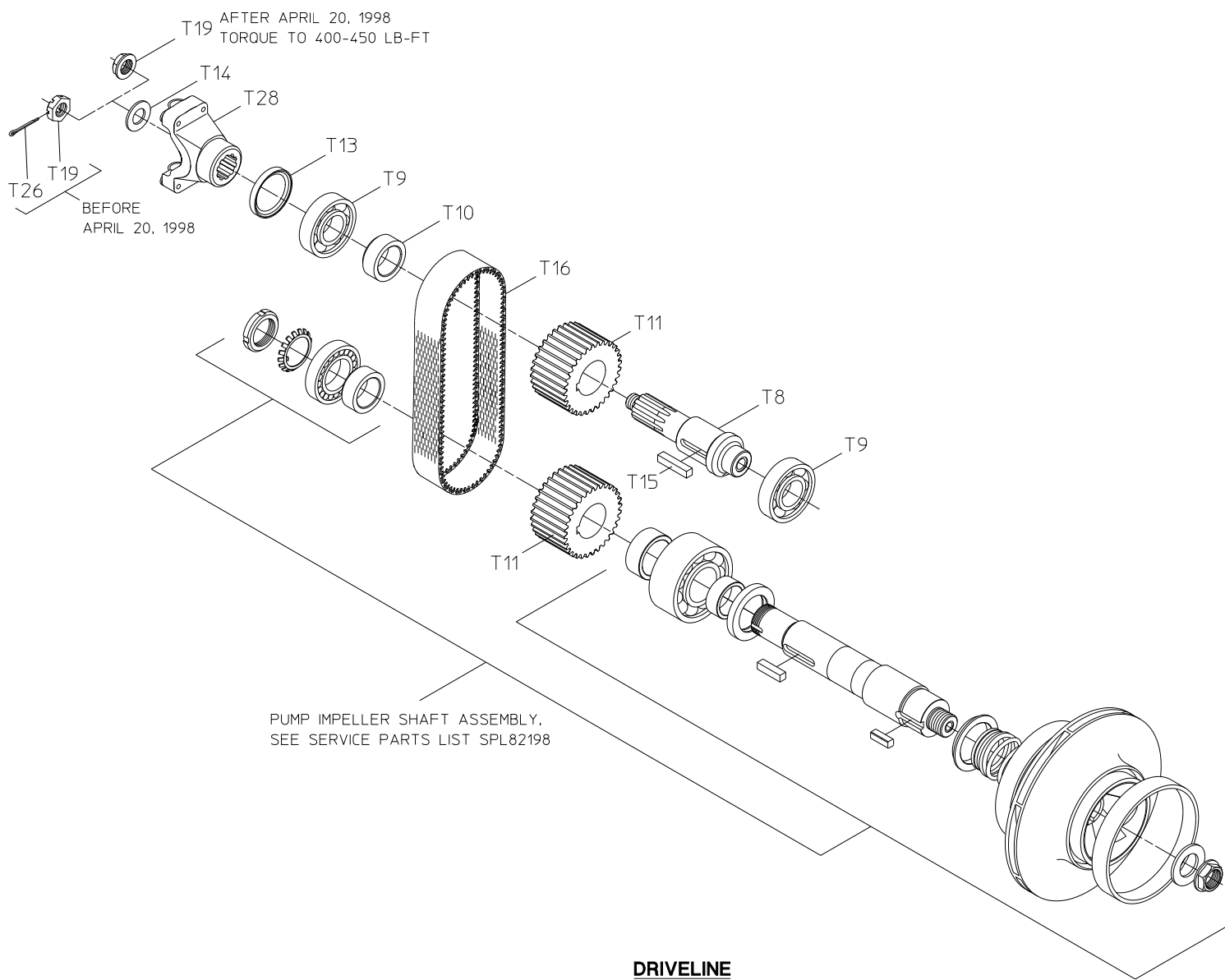
REF. NO.	DESCRIPTION
T20	Street Elbow, 45 Degrees, 1/2 NPT
T21	Breather, 1/2 NPT
T22	Impeller Shaft Housing Shim (.005 Blue, .007 Natural, .010 Brown)
T23	Oil Hose
T24	O-ring, 3-5/8 x 3-7/8 in.
T25	O-ring, 4 x 4-1/4 in.
T27	Plug Seal
T29	Serial Plate
T30	Drive Screw



Driveline

REF. NO.	DESCRIPTION
T8	Drive Shaft
T9	Drive Shaft Ball Bearing
T10	Drive Shaft Spacer
T11	Sprocket
T13	Oil Seal, 2-1/2 x 3-1/4 in.
T14	Plain Washer, 1 in.

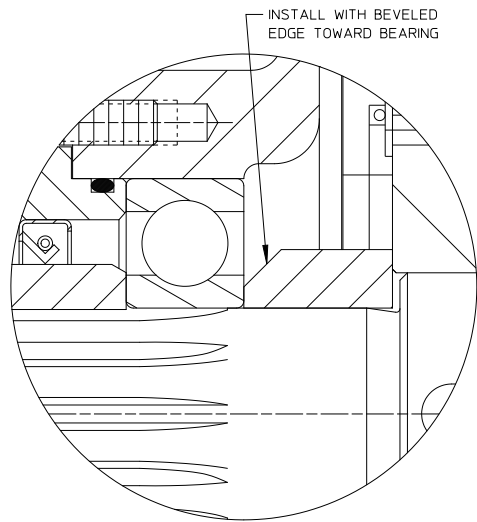
REF. NO.	DESCRIPTION
T15	Square Key, 1/2 x 2 in.
T16	Chain, 3 in. Wide
T19	Shaft Nut
T26	Cotter Pin, 1/8 x 1-3/4 in.
T28	End Yoke



Cross-Section View

REF. NO.	DESCRIPTION
T1	Case Subassembly (Includes T3 & T17)
T2	Gasket
T3	Hex Head Screw, 3/8-16 x 1-1/4 in.
T4	Lockwasher, 3/8 in.
T5	Oil Seal Housing
T6	Bearing Cover
T8	Drive Shaft
T9	Drive Shaft Ball Bearing
T10	Drive Shaft Spacer
T11	Sprocket
T12	Drive Shaft Housing Shim (.005 Blue, .007 Natural, .010 Brown)
T13	Oil Seal, 2-1/2 x 3-1/4 in.
T14	Plain Washer, 1 in.
T15	Square Key, 1/2 x 2 in.
T16	Chain, 3 in. Wide
T18	Drain Plug, 3/4-16
T19	Shaft Nut

REF. NO.	DESCRIPTION
T22	Impeller Shaft Housing Shim (.005 Blue, .007 Natural, .010 Brown)
T23	Oil Hose
T24	O-ring, 3-5/8 x 3-7/8 in.
T25	O-ring, 4 x 4-1/4 in.
T27	Plug Seal
T28	End Yoke



DETAIL A
SCALE 3:1

