

Issued: 06/09/98

Revised: 11/29/17

W A T E R O U S

WATEROUS COMPANY

SOUTH ST. PAUL, MINNESOTA

MEDIUM DUTY KC TRANSMISSION ASSEMBLY

| REF NO. | DESCRIPTION | REF NO. | DESCRIPTION |
|---------|--|---------|---------------------------------------|
| T2 | Pump serial plate | T39 | Oil seal sleeve |
| T3 | Driven gear | T40 | Oil seal housing |
| T4 | Oil seal housing gasket | T41 | Bearing lock nut |
| T8 | Case gasket | T46 | Shaft nut |
| T10 | Oil seal housing | T47 | Washer, 3/4 in. |
| T13 | Gear case subassembly | T48 | Cotter pin, 1/8 x 1-3/4 in., SS |
| T14 | Dowel pin, 3/8 x 1 in. | T49 | O-ring, 3-1/4 x 3-1/2 in. |
| T15 | Drive gear | T50 | Oil seal, 1-5/8 x 2-1/2 in. |
| T17 | Breather, 1/2 NPT | T52 | Ball bearing, double row |
| T18 | Magnetic drain plug, 1/2 in. | T53 | Ball bearing, single row |
| T19 | Hex hd screw, 3/8-16 x 1-1/4 in., Grade 5 | T54 | Ball bearing, single row |
| T20 | Hex hd screw, 7/16-14 x 1-1/4 in., Grade 5 | T56 | Suspension pin, 1 x 2-5/8 in. |
| T21 | Hex hd screw, 1/2-13 x 1-1/2 in., Grade 5 | T57 | Suspension bracket |
| T22 | Hex hd screw, 1/2-20 x 2-1/2 in., Grade 5 | T59 | Cotter pin, 5/16 x 2-1/2 in. |
| T23 | Hex nut, 1/2-20 | T67 | Oil level plate |
| T24 | Oil seal, 1-5/8 x 2-7/16 in. | T69 | Street elbow, 45° x 1/2 NPT |
| T25 | Lock washer, 3/8 in. | T80 | Cotter pin, 1/8 x 1-1/2 in. |
| T26 | Lock washer, 7/16 in. | T92 | Hex hd screw, 3/8-16 x 1 in. |
| T27 | Lock washer, 1/2 in. | T96 | Driven shaft |
| T28 | Retaining ring | T99 | Rectangle key, 1/8 x 3/16 x 2-7/8 in. |
| T31 | Pipe plug, 1/2 NPT | T111 | Input elbow, LH or RH thread |
| T32 | Drive screw, no. 6 x 1/4 in. | T112 | Retaining ring |
| T38 | Driven shaft spacer | T113 | Rotating union, LH or RH thread |
| | | T116 | Socket hd cap screw, 5/16-18 x 2 in. |

PLEASE NOTE

WHEN ORDERING PARTS PLEASE SUPPLY PUMP SERIAL NUMBER

SPL82316

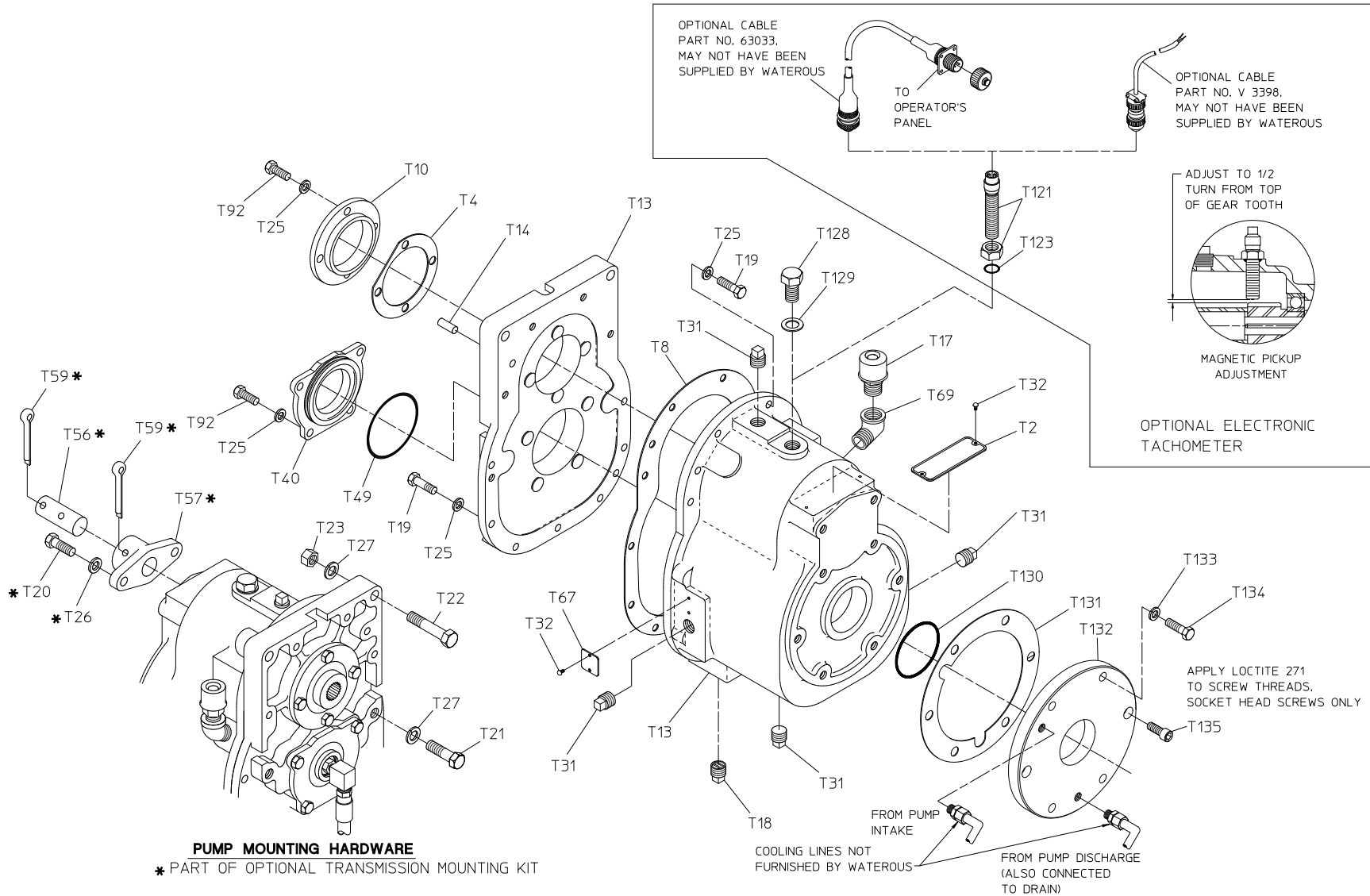
PAGE 1 OF 5

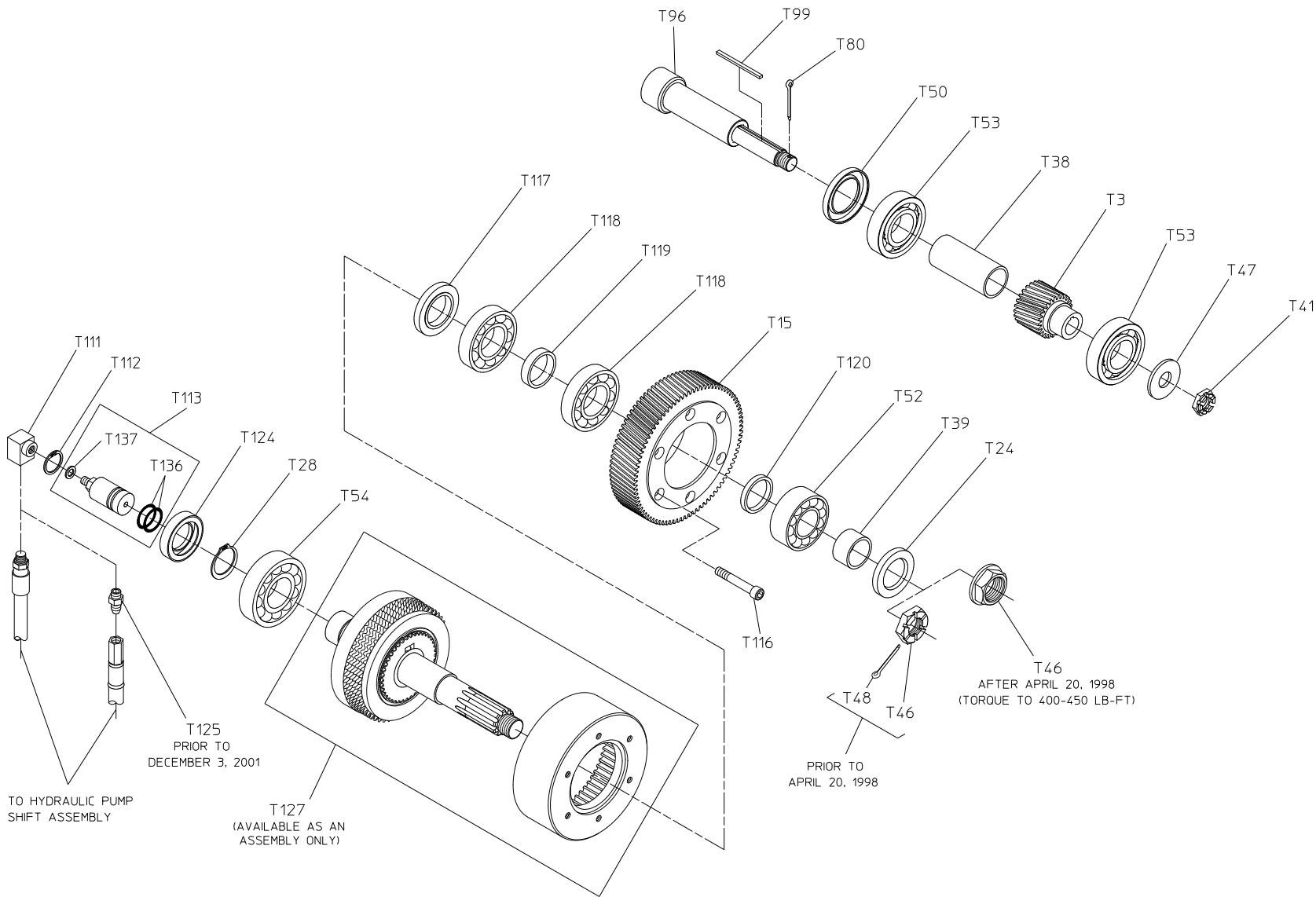
WATEROUS

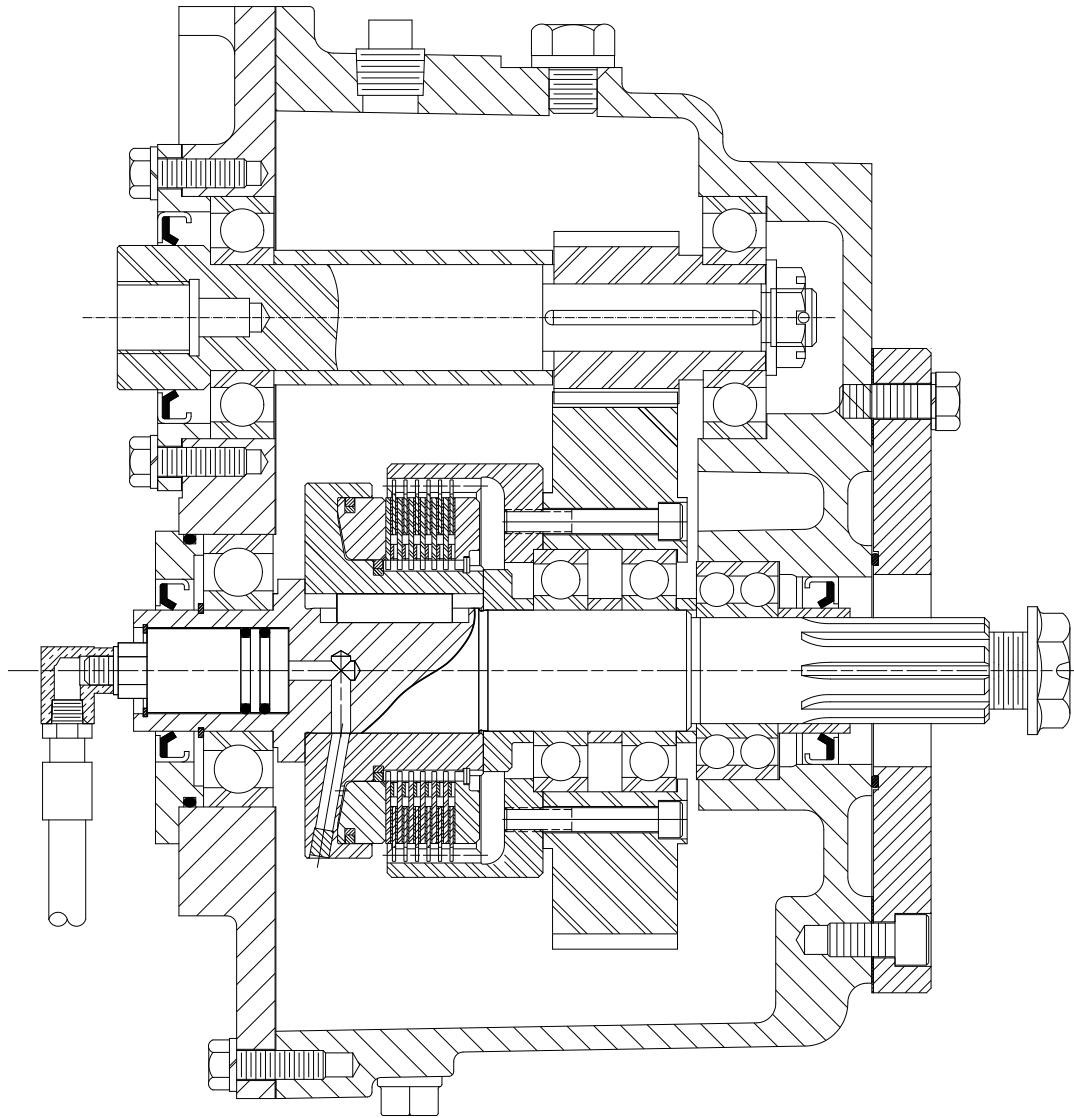
WATEROUS COMPANY
SOUTH ST. PAUL, MINNESOTA

MEDIUM DUTY KC TRANSMISSION ASSEMBLY

| REF NO. | DESCRIPTION | REF NO. | DESCRIPTION |
|---------|-------------------------------|---------|------------------------------------|
| T117 | Drive shaft spacer | T129 | Flat washer, copper, 5/8 in. |
| T118 | Ball bearing, single row | T130 | O-ring, 2-3/4 x 3 in. |
| T119 | Drive shaft spacer | T131 | Cooling plate gasket |
| T120 | Drive shaft spacer | T132 | Cooling plate |
| T121 | Magnetic pickup | T133 | Lock washer, 7/16 in. |
| T123 | O-ring, 5/8 x 3/4 in. | T134 | Hex hd screw, 7/16-14 x 1-1/2 in. |
| T124 | Oil seal, 1-1/2 x 2-3/8 in. | T135 | Socket hd screw, 7/16-14 x 7/8 in. |
| T125 | Tube connector, 1/8 x 1/4 in. | T136 | O-ring, 3/4 x 7/8 in. |
| T127 | Shaft and clutch assembly | T137 | Flat washer, copper, 3/8 in. |
| T128 | Hex hd screw, 5/8-18 x 1 in. | | |







SECTIONAL VIEW

MODEL CP3-500 MOUNTED MEDIUM DUTY KC TRANSMISSION