

## Priming Valve and Piping Service Parts List

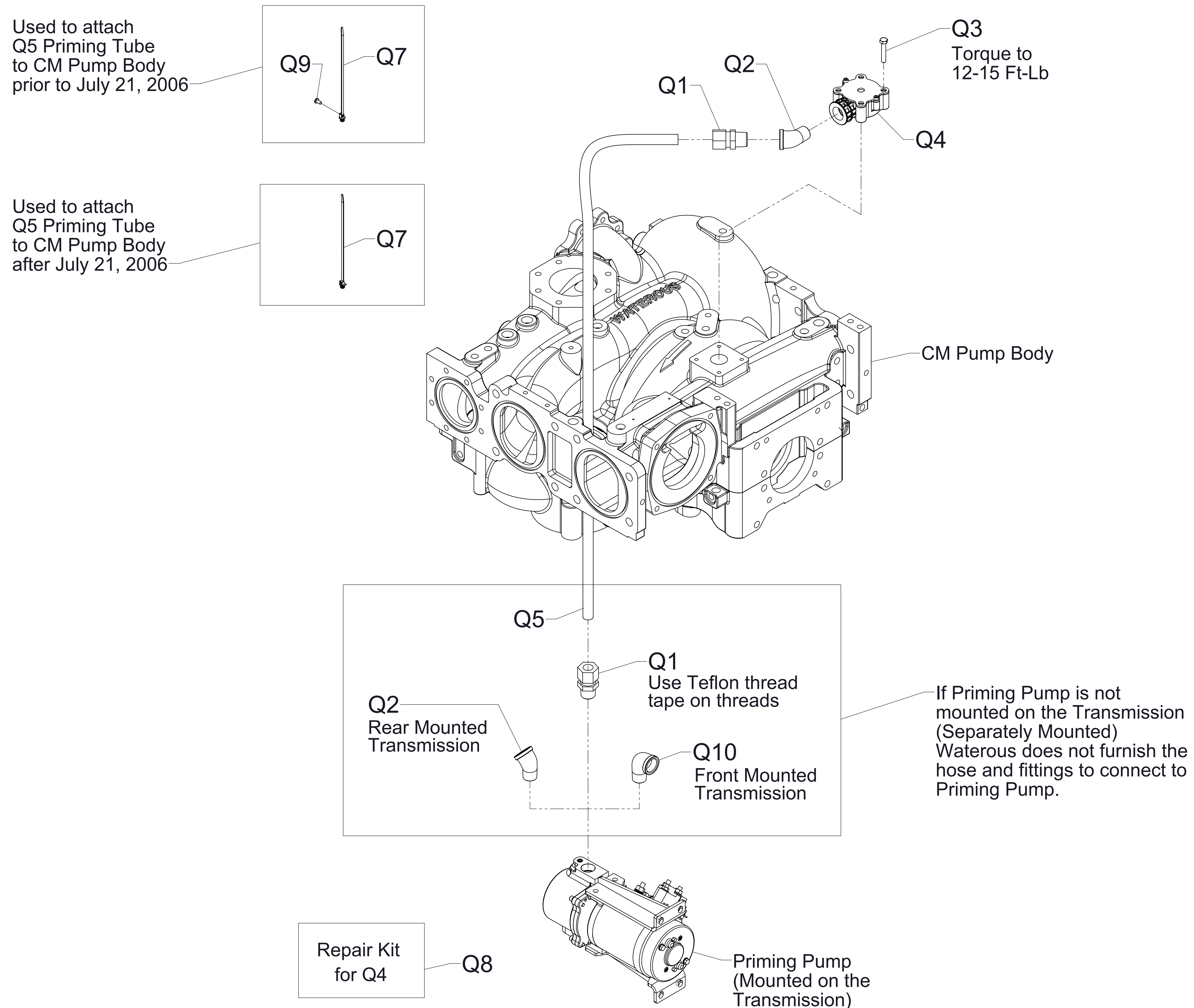
VAP (Vacuum Activated) Priming Valve

Index:

Pump Model (Located on Pump Serial Plate)	Transmission Model (Located on Pump Serial Plate)		Pump Material	Priming Valve Mounting	See Page	
					Valve and Piping	Solenoid (When Pump has multiple VAP Valves)
CM, CMU, CMH, CMUH	All		Iron	4-Bolt	2	13
			Bronze	3/8 NPT Nipple	3	
CS, CSU, CSH, CSUH	All		Iron	4-Bolt	4	
			Bronze	3/8 NPT Nipple	5	
CLS	All		Iron or Bronze	3/8 NPT Nipple	6	
CGVG Inverted CM, CMU	All		Iron or Bronze	3/8 NPT Nipple	7	
CXS	C20 Series	Pump on Front (Input Shaft Side)	Iron	4-Bolt	8	
		Pump on Rear (Output Shaft Side)	Iron	4-Bolt	9	
	D, K, PA or T		Iron	4-Bolt	10	
S101	All		Iron	4-Bolt	11	
CP-2, CP-3, CP-4, CP-4UH, CLR, CLV, CGV, CGVN, CGVR, CXN, CXR, CXV, CH-4, CR, CRU-1, CRU-2 CZ, CZU, S100, E200, E300, E500	All		Iron or Bronze	3/8 NPT Nipple	12	

Ref No.	Description
Q1	Compression Tube Fitting, 3/4 in
Q2	Street Elbow, 45 Degree, 3/4 in
Q3	Hex Head Screw, 5/16-18 x 1-3/4 in
Q4	Priming Valve Sub-Assembly

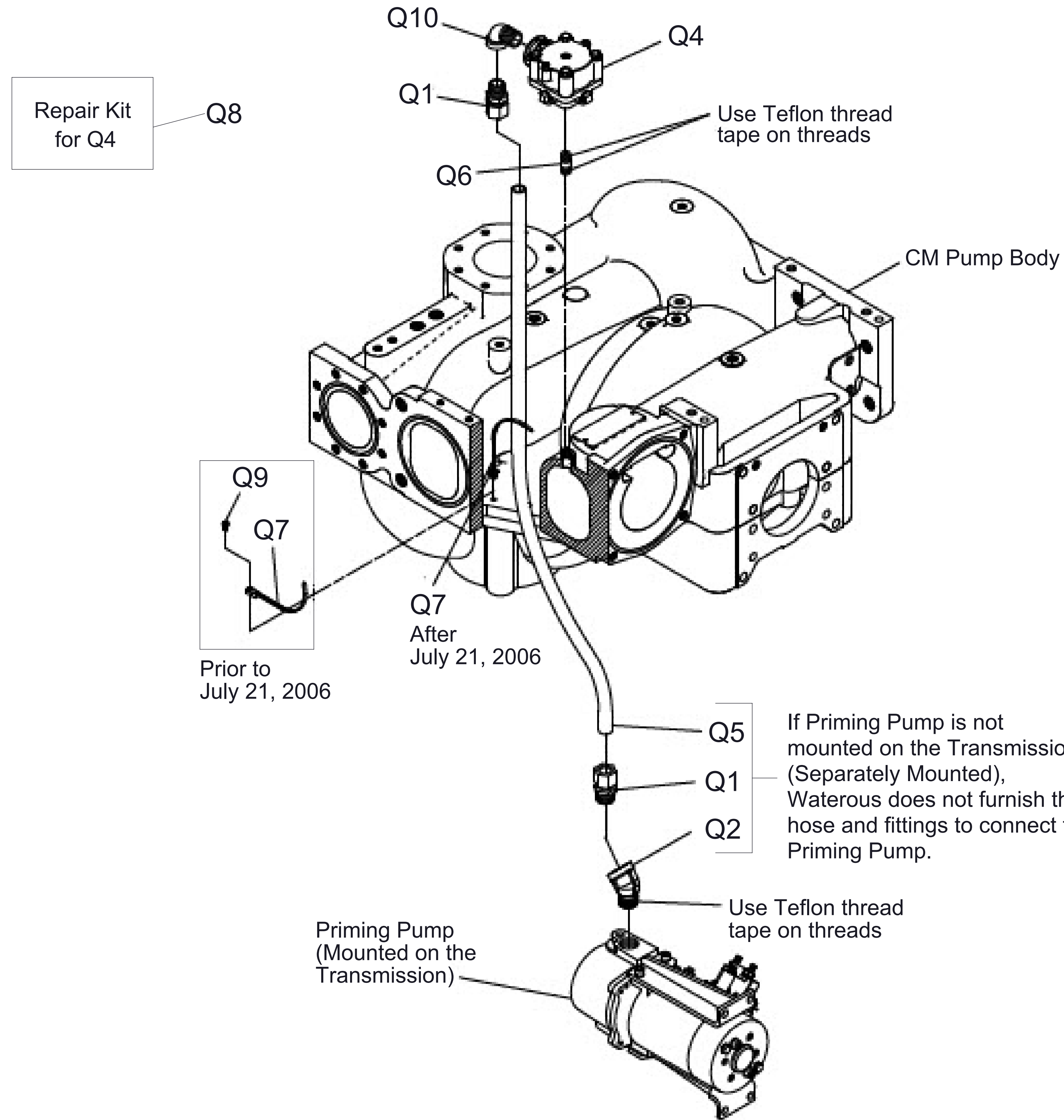
Ref No.	Description
Q5	Priming Tube
Q7	Mountable or Push-Mount Cable Tie
Q8	Priming Valve Repair Kit
Q9	Round Head Screw, No. 10-24 x 3/8 in
Q10	Street Elbow, 90 Degree, 3/4 in



### Iron CM, CMU, CMH, CMUH Pump Models

Ref No.	Description
Q1	Compression Tube Fitting, 3/4 in
Q2	Street Elbow, 45 Degree, 3/4 in
Q4	Priming Valve Sub-Assembly
Q5	Priming Tube

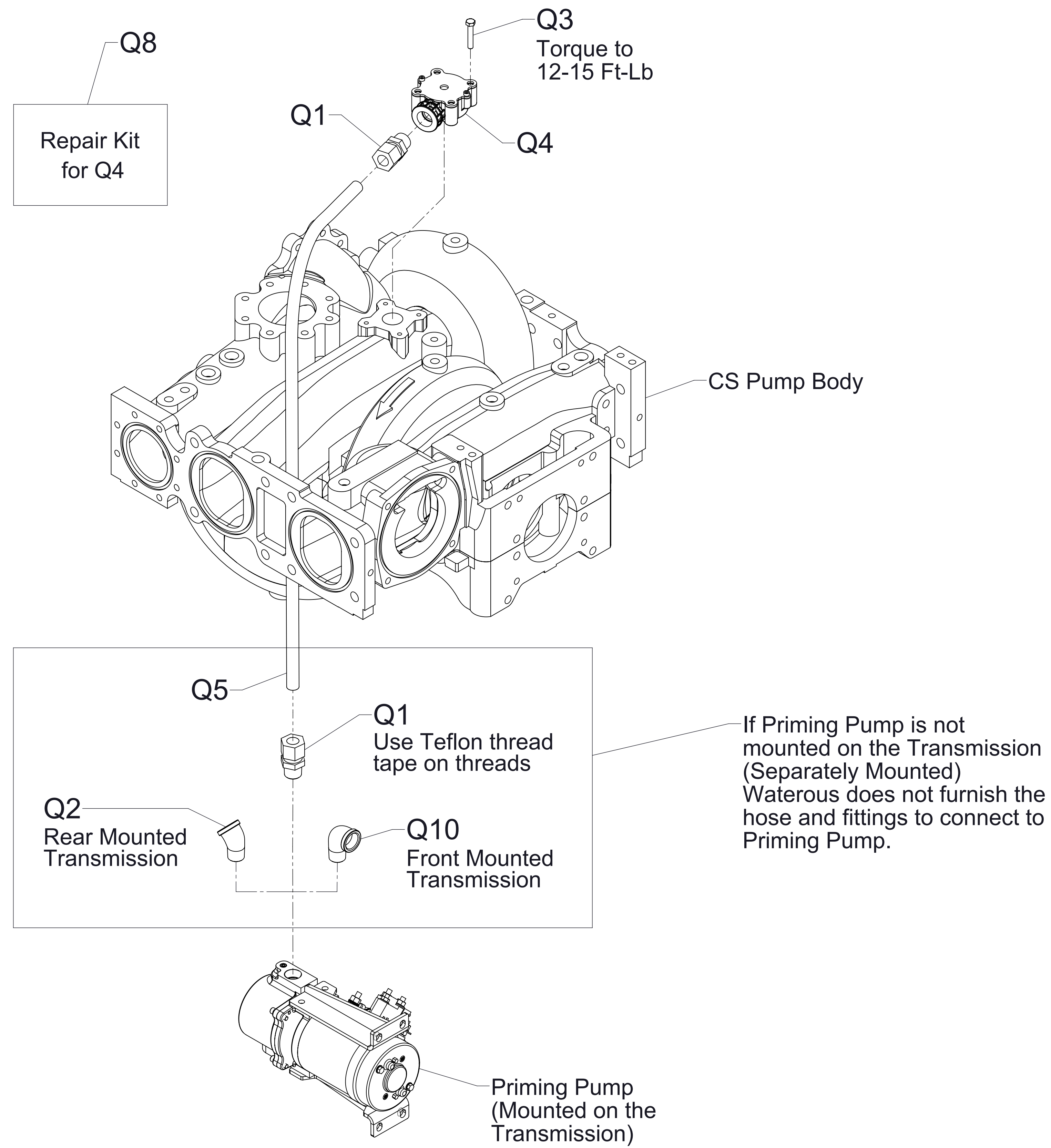
Ref No.	Description
Q6	Pipe Nipple, 3/8 NPT x 1-1/2 in
Q7	Mountable or Push-Mount Cable Tie
Q8	Priming Valve Repair Kit
Q9	Round Head Screw, No. 10-24 x 3/8 in
Q10	Street Elbow, 90 Degree, 3/4 in



**Bronze CM, CMU, CMH, CMUH Pump Models**

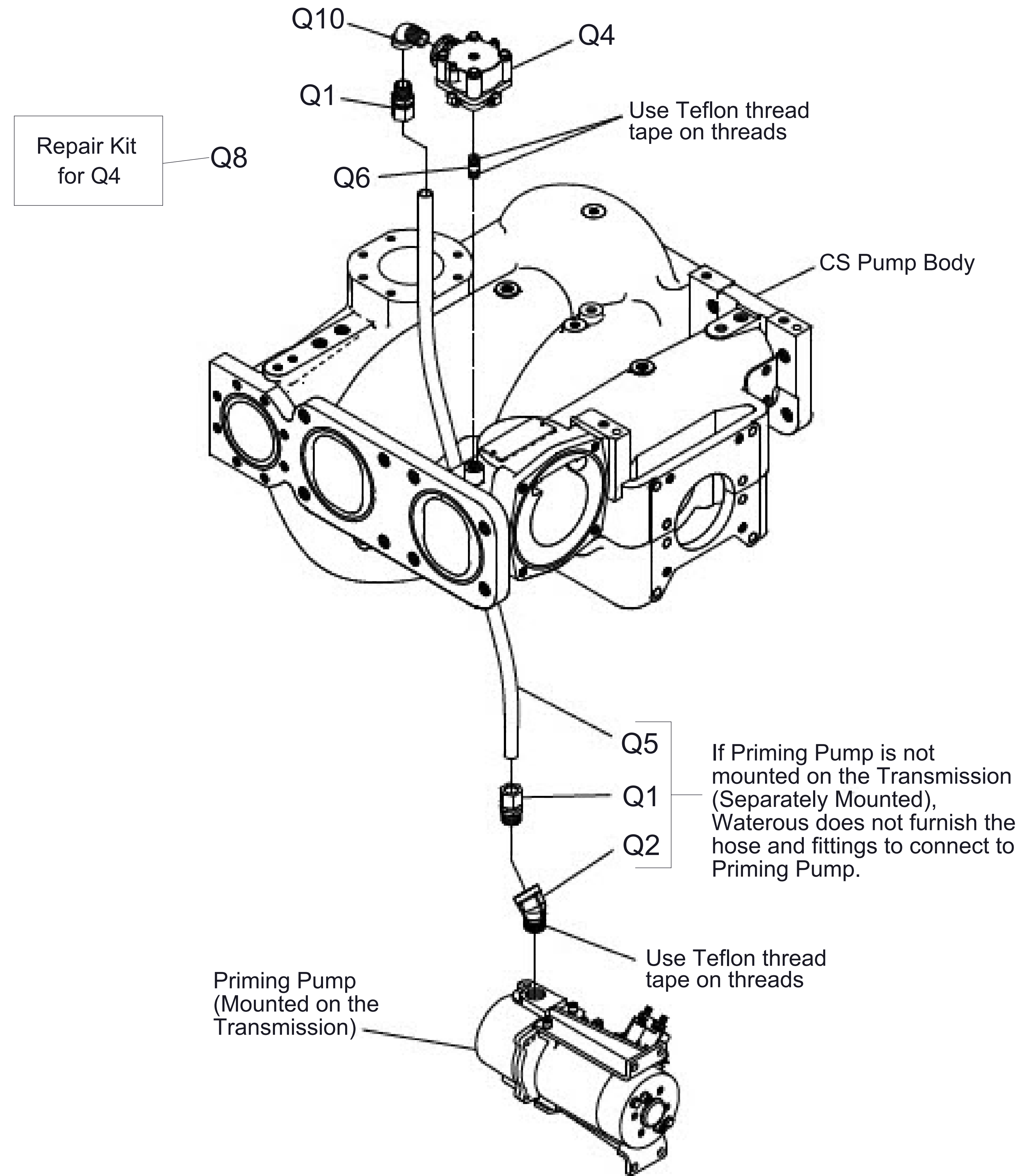
Ref No.	Description
Q1	Compression Tube Fitting, 3/4 in
Q2	Street Elbow, 45 Degree, 3/4 in
Q3	Hex Head Screw, 5/16-18 x 1-3/4 in
Q4	Priming Valve Sub-Assembly

Ref No.	Description
Q5	Priming Tube
Q8	Priming Valve Repair Kit
Q10	Street Elbow, 90 Degree, 3/4 in



Ref No.	Description
Q1	Compression Tube Fitting, 3/4 in
Q2	Street Elbow, 45 Degree, 3/4 in
Q4	Priming Valve Sub-Assembly
Q5	Priming Tube

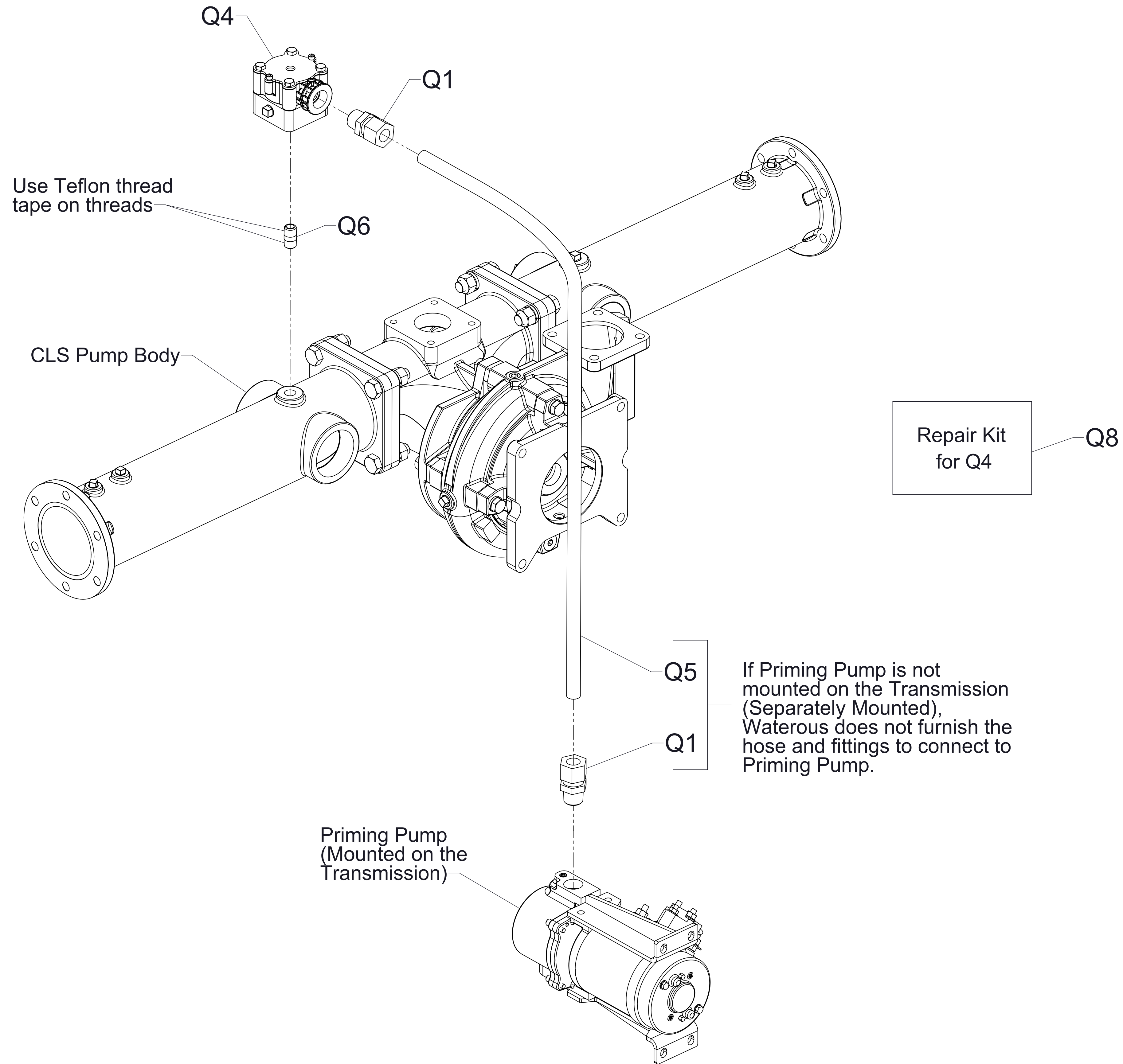
Ref No.	Description
Q6	Pipe Nipple, 3/8 NPT x 1-1/2 in
Q8	Priming Valve Repair Kit
Q10	Street Elbow, 90 Degree, 3/4 in



### Bronze CS, CSU, CSH, CSUH Pump Models

Ref No.	Description
Q1	Compression Tube Fitting, 3/4 in
Q4	Priming Valve Sub-Assembly

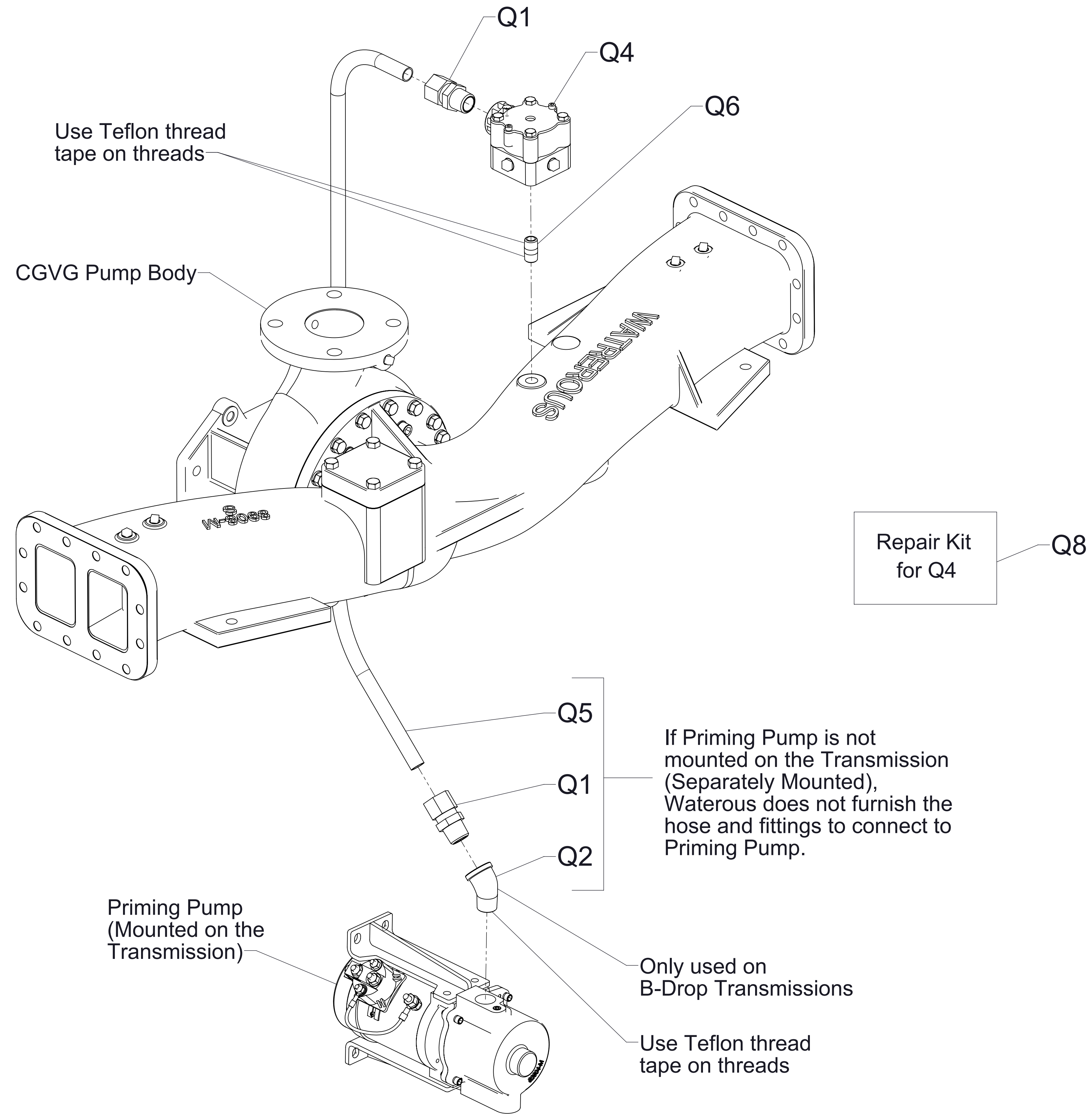
Ref No.	Description
Q5	Priming Tube
Q6	Pipe Nipple, 3/8 NPT x 1-1/2 in
Q8	Priming Valve Repair Kit



**CLS Pump Model**

Ref No.	Description
Q1	Compression Tube Fitting, 3/4 in
Q2	Street Elbow, 45 Degree, 3/4 in
Q4	Priming Valve Sub-Assembly

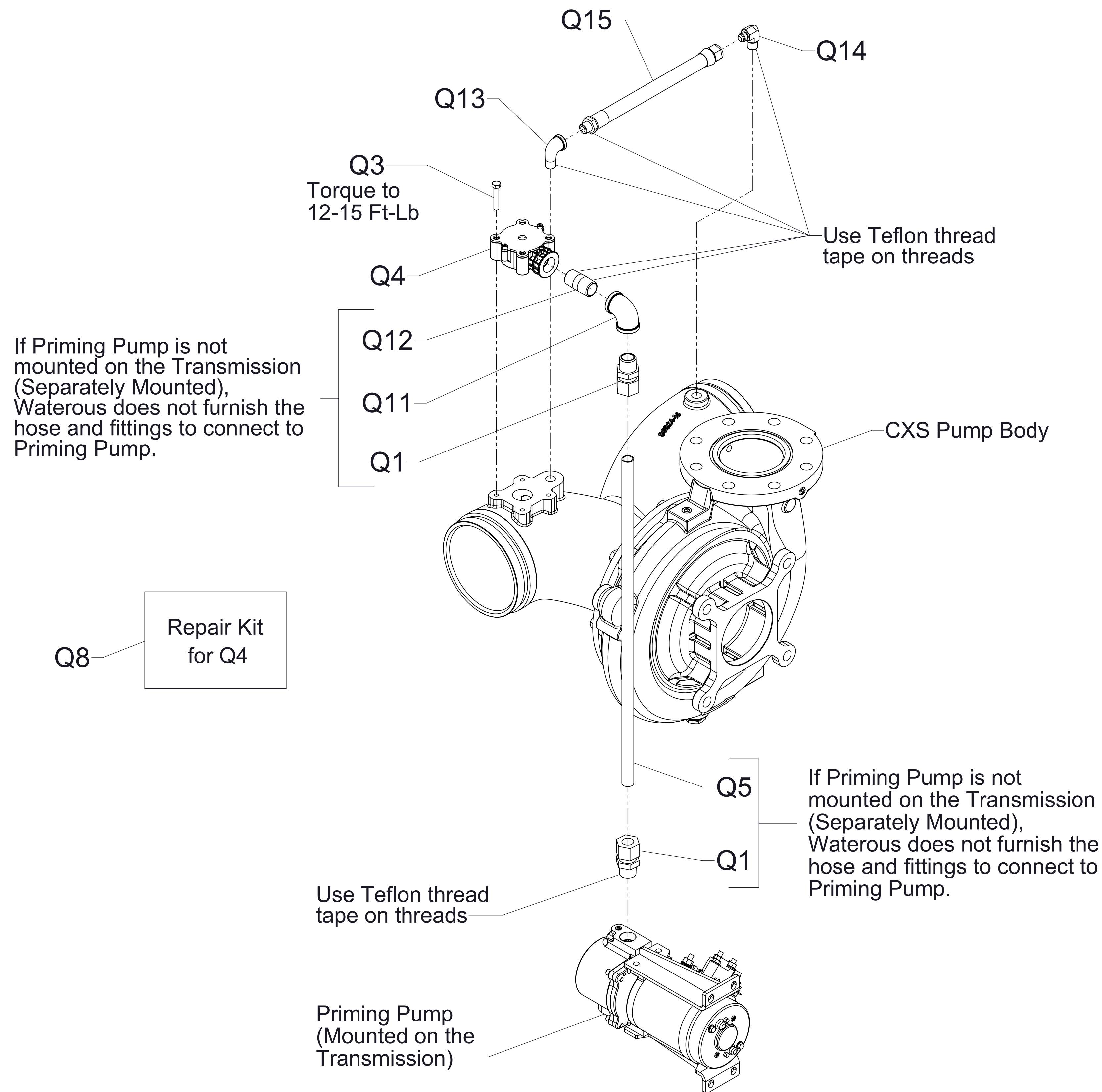
Ref No.	Description
Q5	Priming Tube
Q6	Pipe Nipple, 3/8 NPT x 1-1/2 in
Q8	Priming Valve Repair Kit



**CGVG Pump Model**  
(Inverted CM, CMU Models)

Ref No.	Description
Q1	Compression Tube Fitting, 3/4 in
Q3	Hex Head Screw, 5/16-18 x 1-3/4 in
Q4	Priming Valve Sub-Assembly
Q5	Priming Tube
Q8	Priming Valve Repair Kit

Ref No.	Description
Q11	Elbow, 90 Deg., 3/4 in
Q12	Pipe Nipple, 3/4 NPT x 2 in
Q13	Street Elbow, 90 Deg., 3/8 in
Q14	Elbow, 90 Deg., 3/8 in
Q15	Hose, 3/8 NPT x 12 in

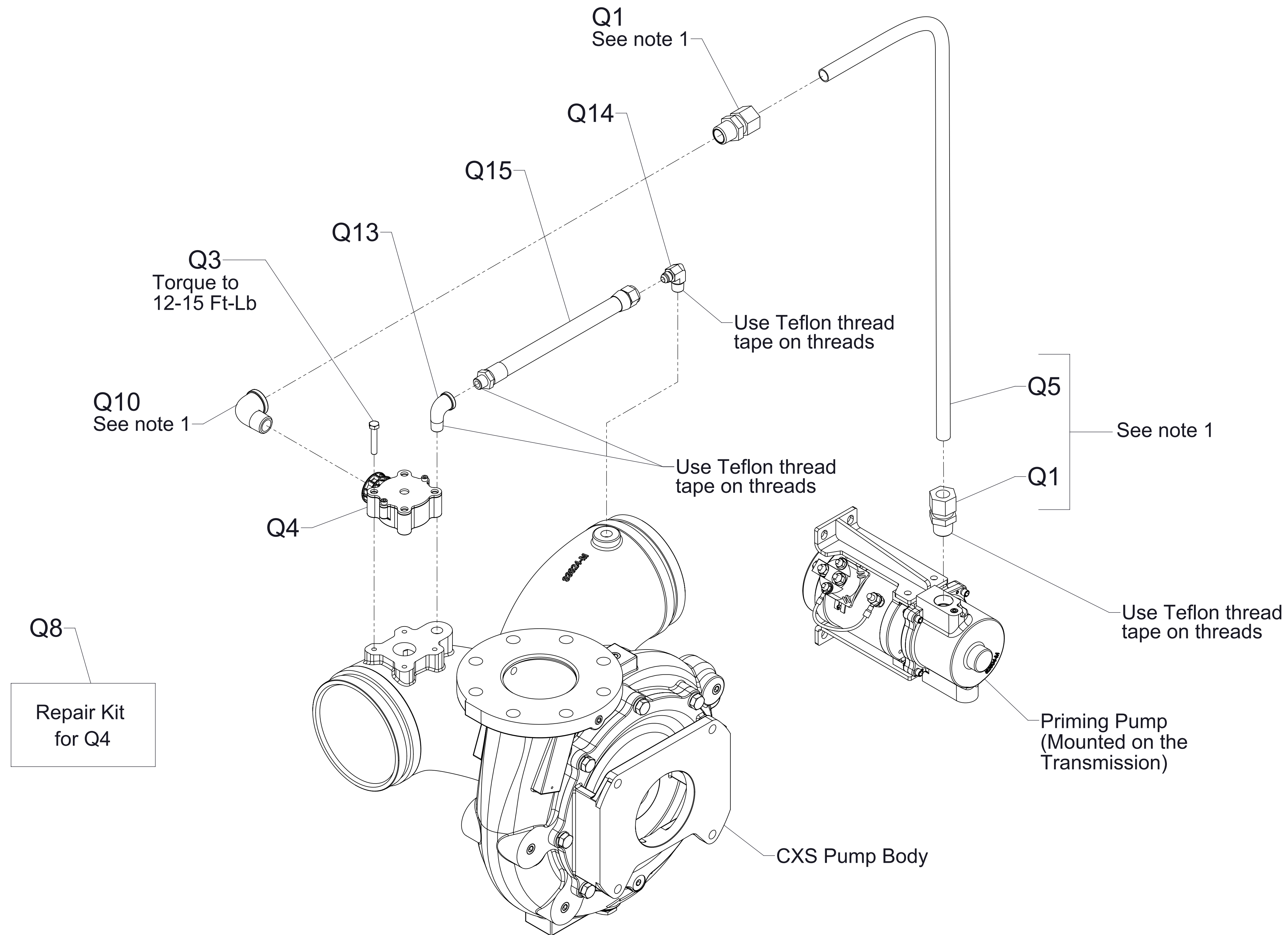


**CXS Pumps Mounted on Front  
(Input Shaft Side) of C20 Transmissions**



Ref No.	Description
Q1	Compression Tube Fitting, 3/4 in
Q3	Hex Head Screw, 5/16-18 x 1-3/4 in
Q4	Priming Valve Sub-Assembly
Q5	Priming Tube
Q8	Priming Valve Repair Kit

Ref No.	Description
Q10	Street Elbow, 90 Deg., 3/4 in
Q13	Street Elbow, 90 Deg., 3/8 in
Q14	Elbow, 90 Deg., 3/8 in
Q15	Hose, 3/8 NPT x 12 in

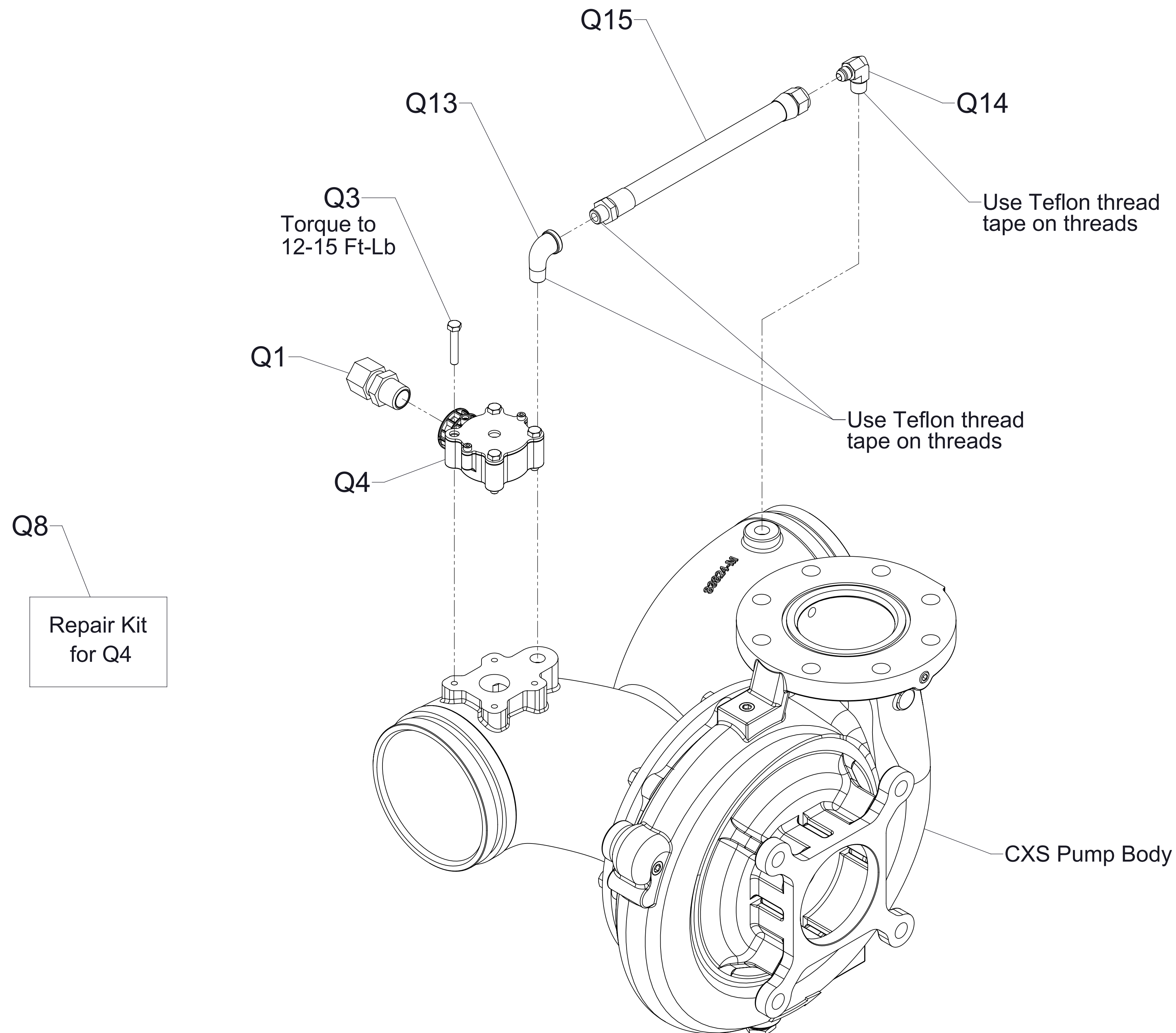


Note:  
 1. If Priming Pump is not mounted on the Transmission (Separately Mounted), Waterous does not furnish the hose and fittings to connect to Priming Pump.

**CXS Pumps Mounted on Rear (Output Shaft Side) of C20 Transmissions**

Ref No.	Description
Q1	Compression Tube Fitting, 3/4 in
Q3	Hex Head Screw, 5/16-18 x 1-3/4 in
Q4	Priming Valve Sub-Assembly
Q8	Priming Valve Repair Kit

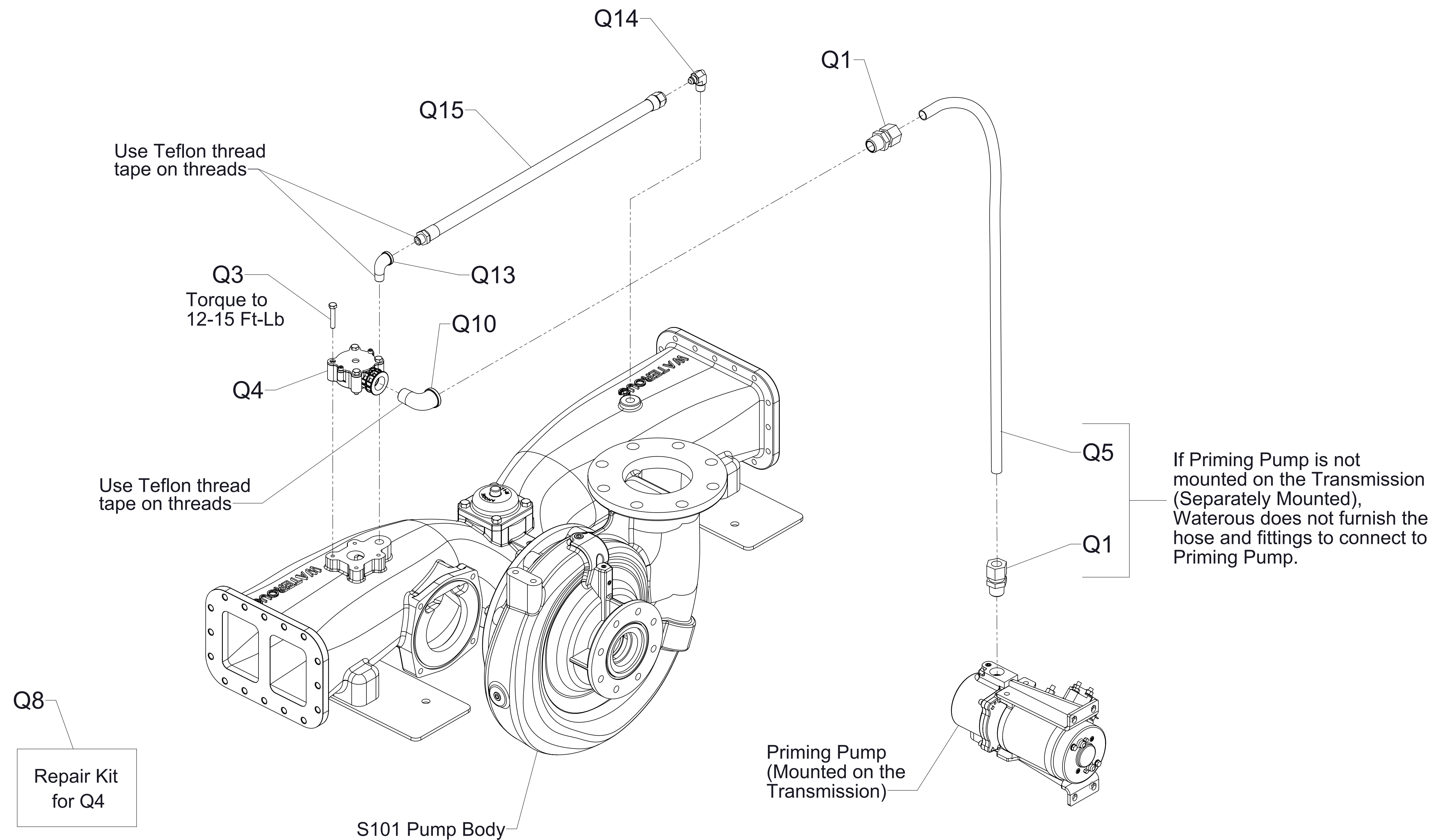
Ref No.	Description
Q13	Street Elbow, 90 Deg., 3/8 in
Q14	Elbow, 90 Deg., 3/8 in
Q15	Hose, 3/8 NPT x 12 in



**CXS Pumps  
D, K, PA or T Transmissions**

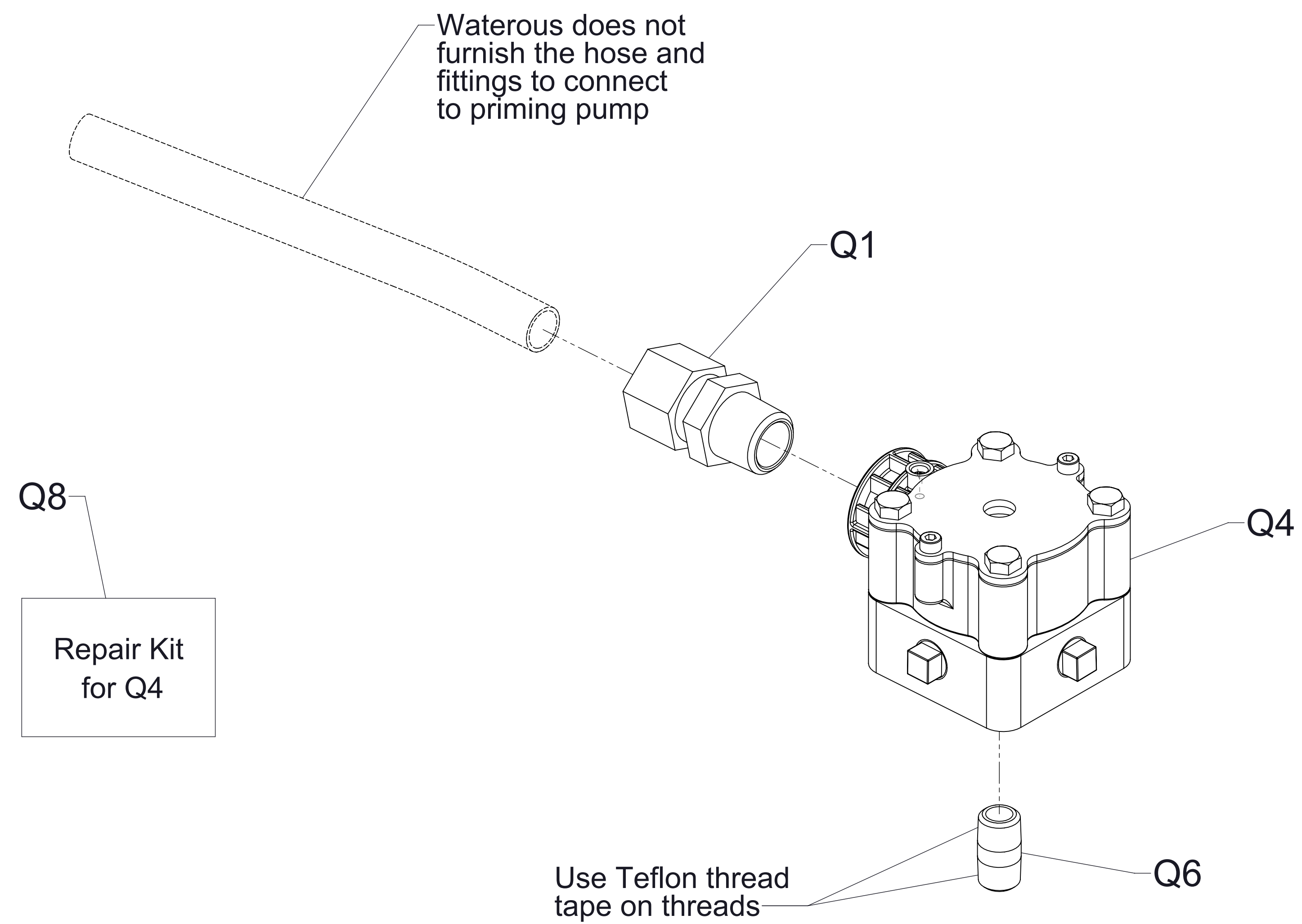
Ref No.	Description
Q1	Compression Tube Fitting, 3/4 in
Q3	Hex Head Screw, 5/16-18 x 1-3/4 in
Q4	Priming Valve Sub-Assembly
Q5	Priming Tube
Q8	Priming Valve Repair Kit

Ref No.	Description
Q10	Street Elbow, 90 Deg., 3/4 in
Q13	Street Elbow, 90 Deg., 3/8 in
Q14	Elbow, 90 Deg., 3/8 in
Q15	Hose, 3/8 NPT x 26 in



### S101 Pumps

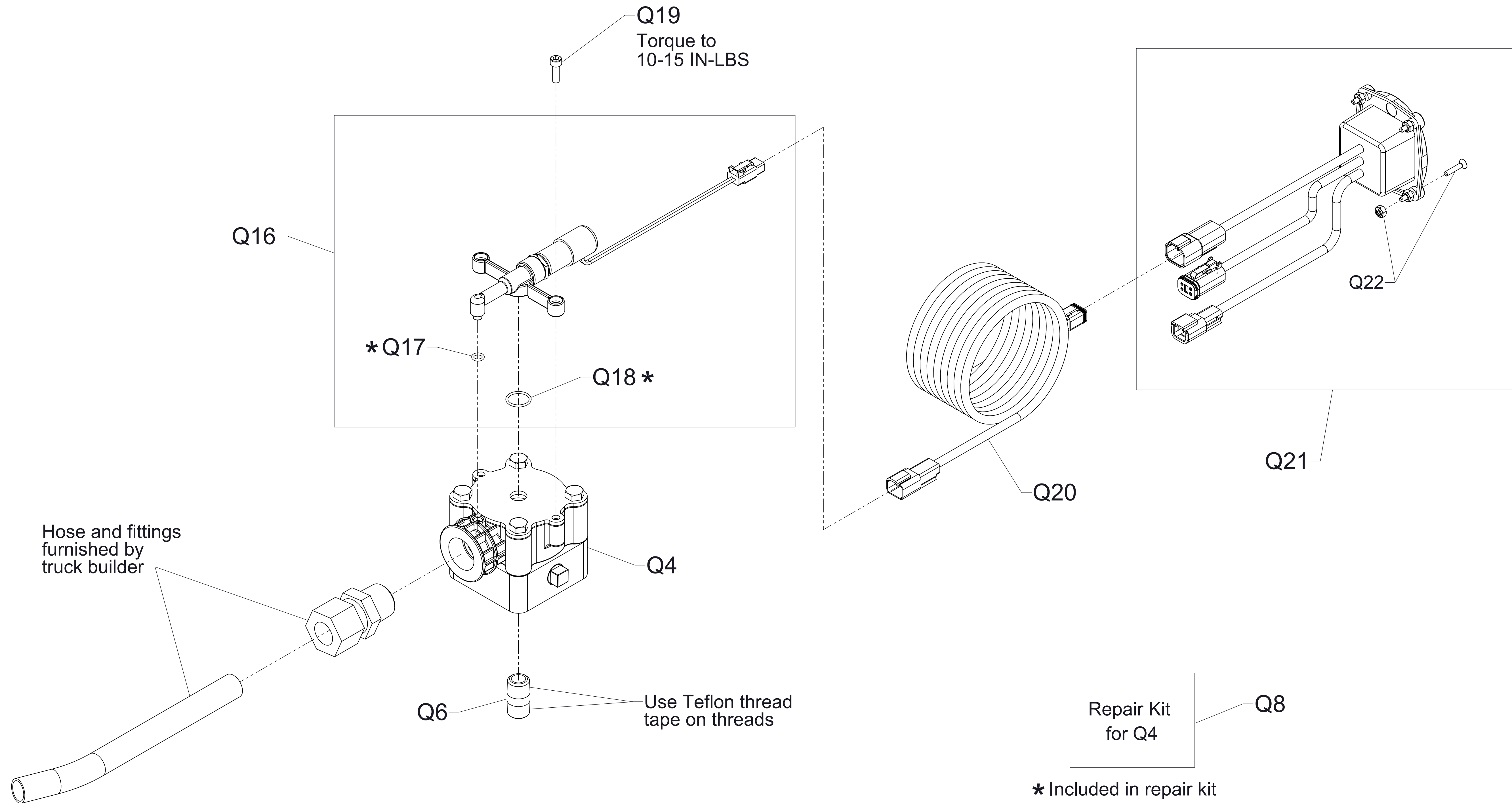
Ref No.	Description
Q1	Compression Tube Fitting, 3/4 in
Q4	Priming Valve Sub-Assembly
Q6	Pipe Nipple, 3/8 NPT x 1-1/2 in
Q8	Priming Valve Repair Kit



**CP-2, CP-3, CP-4, CP-4UH, CLR, CLV, CXN, CXR, CXV,  
CGV, CGVN, CGVR, CR, CRU-1, CRU-2, CZ, CZU, CH-4,  
S100, E200, E300, E500 Pumps**

Ref No.	Description
Q4	Priming Valve Sub-Assembly
Q6	Pipe Nipple, 3/8 NPT x 1-1/2 in
Q8	Priming Valve Repair Kit
Q16	Solenoid Replacement Kit (Includes Q17 and Q18 O-rings)
Q17	O-ring, 1/4 x 3/8 in

Ref No.	Description
Q18	O-ring, 5/8 x 3/4 in
Q19	Socket-Head Screw, M5 x 16mm
Q20	Solenoid Cable
Q21	Control Panel with Integral Switch (Includes Q22 Mounting Screws and Nuts)
Q22	Flat Head Screw, 6-32 x 3/4 in and 6-32 Hex Nut (For Control Panel)



**Solenoid**  
(When pump has multiple VAP valves)