



Document Number	Issue Date	Rev. Date
<b>SPL82515</b>	<b>08/06/04</b>	<b>11/18/14</b>

## Piston Primer Service Parts List

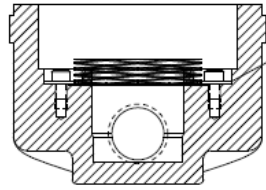
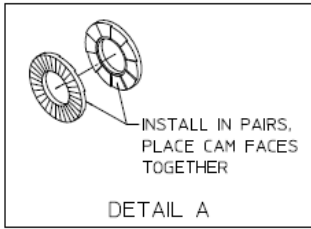
### Index:

Spring Design	Build Date	See Pages
Coil and Wave Spring	After November 10, 2014	2, 3
All Coil Springs	Prior to November 10, 2014	4, 5

## Piston Primer Configuration Prior to November 10, 2014

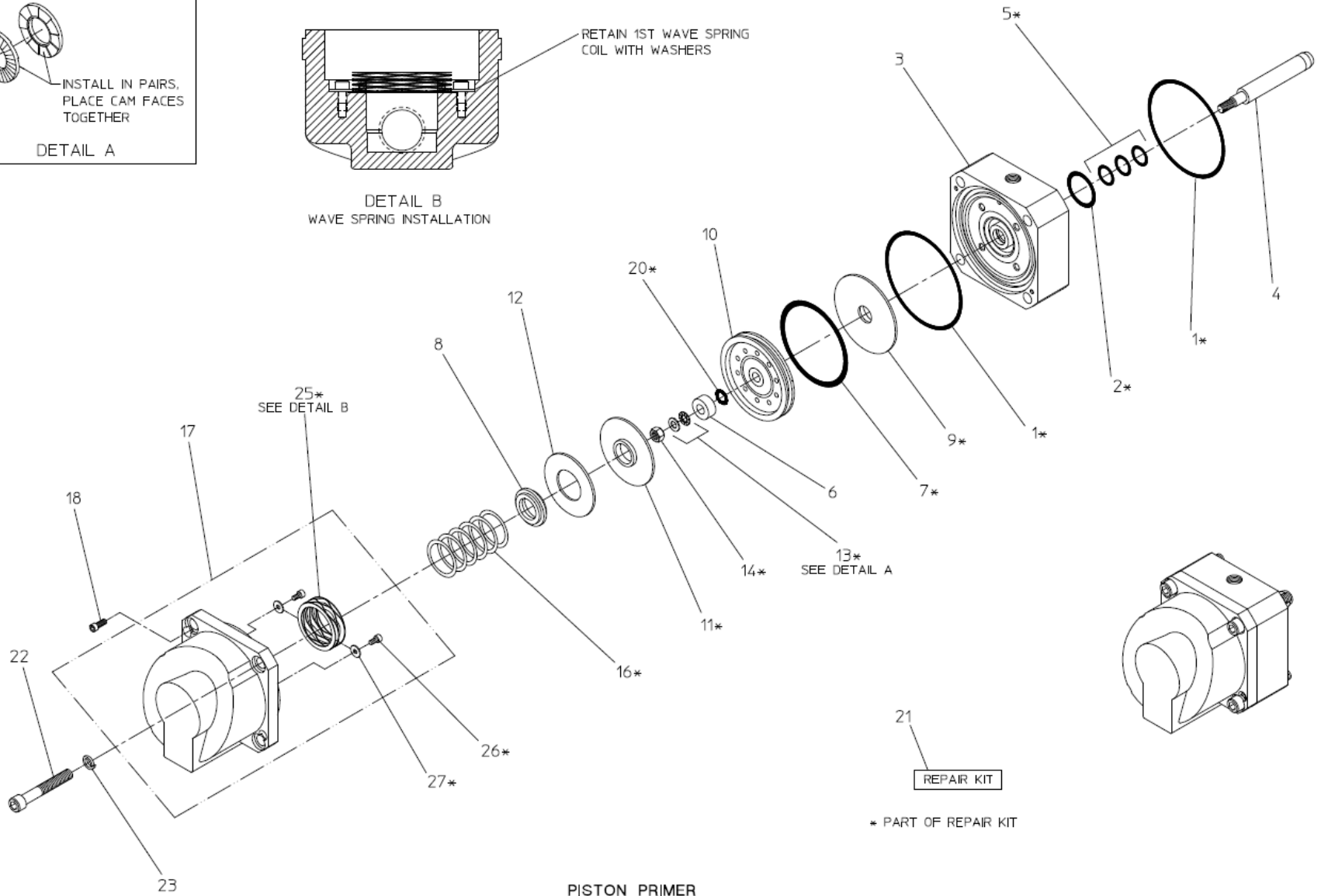
REF. NO.	DESCRIPTION
1	O-ring, 3-3/4 x 4 in.
2	O-ring, 1-3/16 x 1-7/16 in.
3	Internal/External Plumbing Piston Guide
4	Piston Shaft
5	Quad Ring, 5/8 x 13/16 in
6	Centering Ring
7	Quad Ring, 3-1/8 x 3-1/2 in.
8	Spring Seat
9	Intake Diaphragm
10	Piston Primer
11	Exhaust Diaphragm
12	Sealing Disc

REF. NO.	DESCRIPTION
13	Nord-Lock® Washer, 8 mm
14	Nylock Nut, M8-1.25
16	Compression Spring
17	Primer Body Subassembly
18	Socket Hd Screw, M5-0.8 x 12 mm
20	O-ring, 3/8 x 1/2 in.
21	Repair Kit (Includes 1, 2, 5, 7, 9, 11, 13, 14, 15, 16, 20, 25, 26 and 27)
22	Socket Hd Screw, M10-1.5 x 65 mm
23	High Collar Lock Washer, 10 mm
25	Wave Spring
26	Socket Hd Screw, M5-0.8 x 8mm
27	Flat Washer, M5



DETAIL B  
WAVE SPRING INSTALLATION

RETAIN 1ST WAVE SPRING  
COIL WITH WASHERS



21  
REPAIR KIT

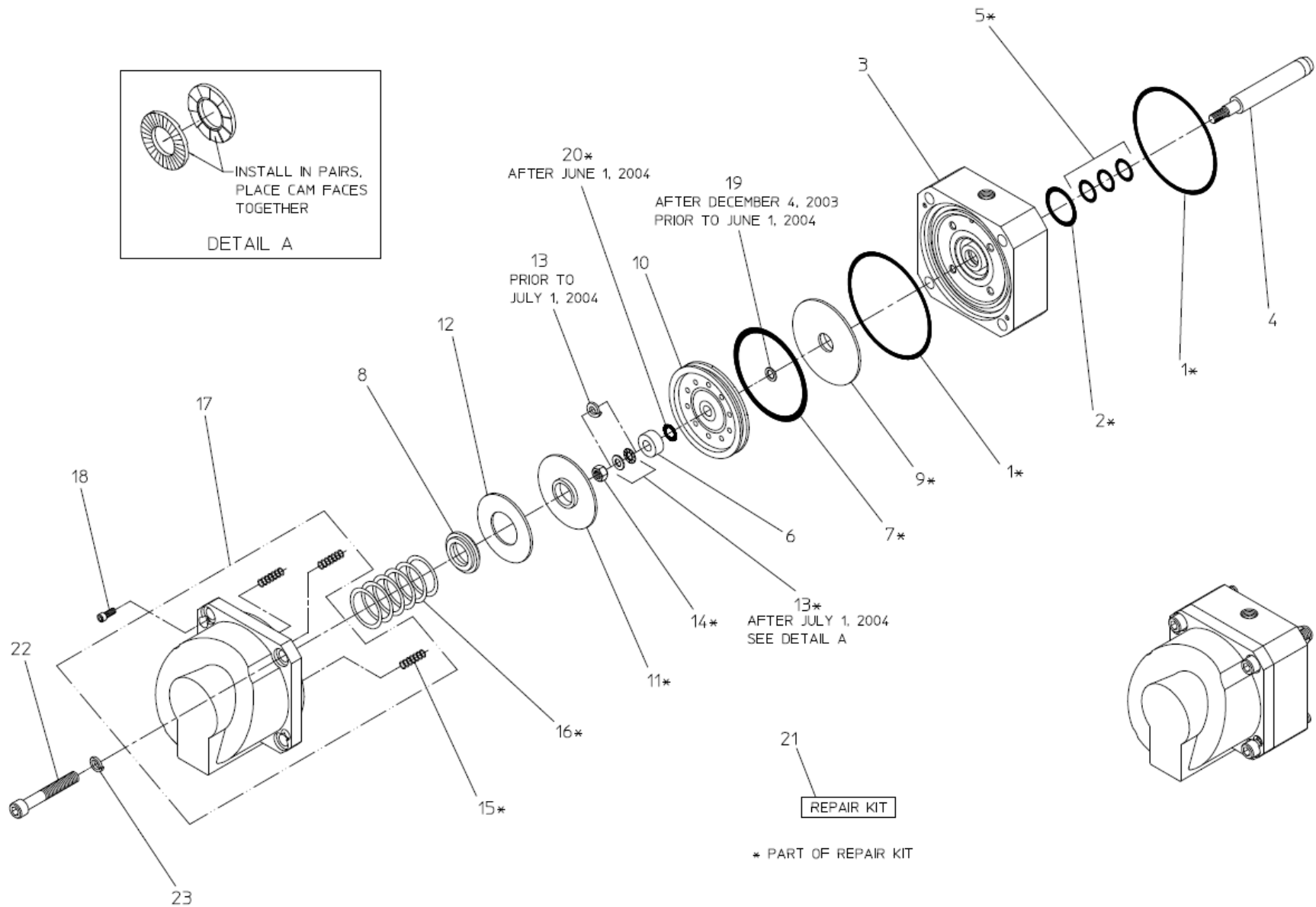
\* PART OF REPAIR KIT

**PISTON PRIMER**  
CONFIGURATION AFTER NOVEMBER 10, 2014

## Piston Primer Configuration After November 10, 2014

REF. NO.	DESCRIPTION
1	O-ring, 3-3/4 x 4 in.
2	O-ring, 1-3/16 x 1-7/16 in.
3	Internal/External Plumbing Piston Guide
4	Piston Shaft
5	Quad Ring, 5/8 x 13/16 in
6	Centering Ring
7	Quad Ring, 3-1/8 x 3-1/2 in.
8	Spring Seat
9	Intake Diaphragm
10	Piston Primer
11	Exhaust Diaphragm
12	Sealing Disc

REF. NO.	DESCRIPTION
13	Nord-Lock® Washer, 8 mm
14	Nylock Nut, M8-1.25
15	Compression Spring, .36 x .75
16	Compression Spring
17	Primer Body Subassembly
18	Socket Hd Screw, M5-0.8 x 12 mm
19	Spacer
20	O-ring, 3/8 x 1/2 in.
21	Repair Kit (Includes 1, 2, 5, 7, 9, 11, 13, 14, 15, 16 and 20)
22	Socket Hd Screw, M10-1.5 x 65 mm
23	High Collar Lock Washer, 10 mm



**PISTON PRIMER**

CONFIGURATION PRIOR TO NOVEMBER 10, 2014