

Issued: 11/21/01

Revised: 06/22/04

W A T E R O U S

WATEROUS COMPANY

SOUTH ST. PAUL, MINNESOTA

AUXILIARY INTAKE PIPING FOR CM & CS PUMPS

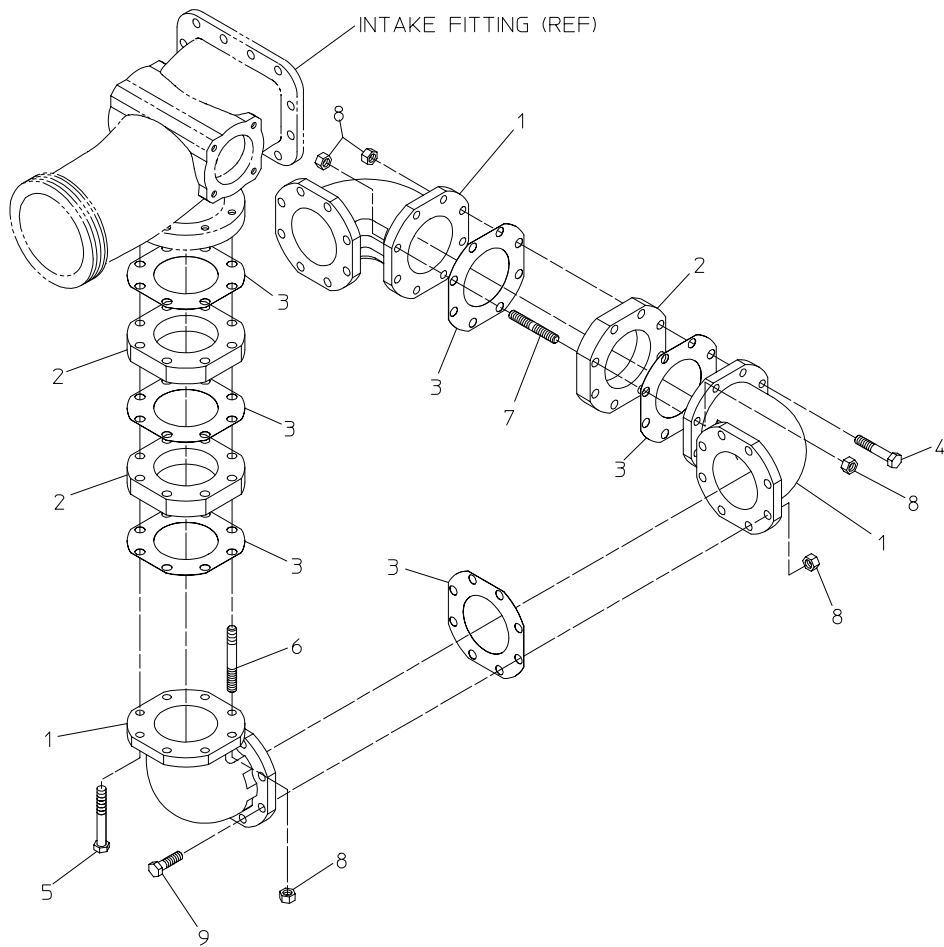
REF NO.	DESCRIPTION	REF NO.	DESCRIPTION
1	Elbow	7	Stud, 1/2-20 x 1/2-20 x 3-1/2 in.
2	Spacer, 1-1/16 in.	8	Hex nut, 1/2-20
3	Gasket	9	Hex hd screw, 1/2-20 x 1-3/4 in.
4	Hex hd screw, 1/2-20 x 3 in.	10	Extension, 4 in.
5	Hex hd screw, 1/2-13 x 3-3/4 in.	11	Hex hd screw, 1/2-13 x 1-1/2 in.
6	Stud, 1/2-13 x 1/2-20 x 4-1/4 in.		

PLEASE NOTE

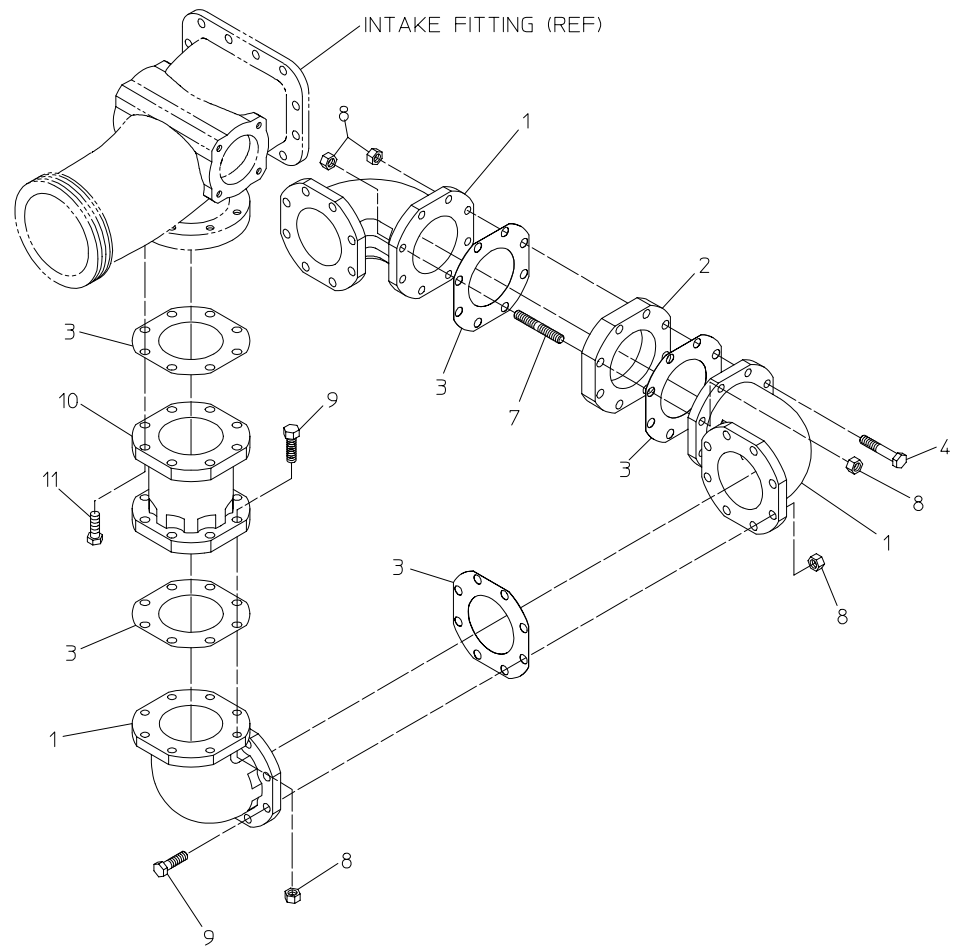
WHEN ORDERING PARTS PLEASE SUPPLY PUMP SERIAL NUMBER

SPL82605

PAGE 1 OF 2



WITH TWO 1-1/16 INCH SPACERS



WITH 4 INCH EXTENSION

**AUXILIARY INTAKE PIPING
WITH SINGLE 3-1/2 IN. OPENING**
LEFT SIDE MOUNTING SHOWN, ALSO AVAILABLE WITH RIGHT SIDE
MOUNTING WITH FLANGE TO THE FRONT