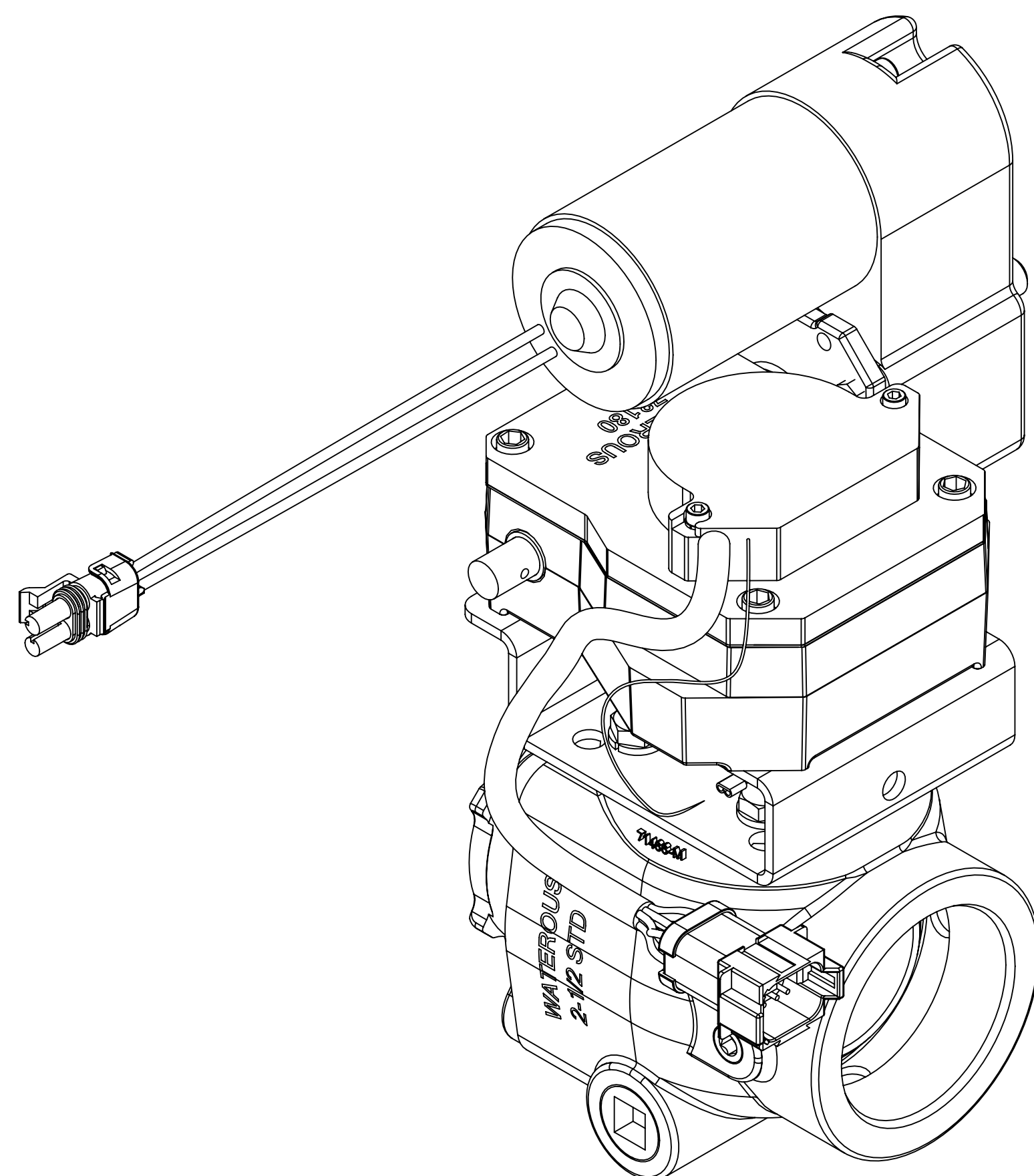
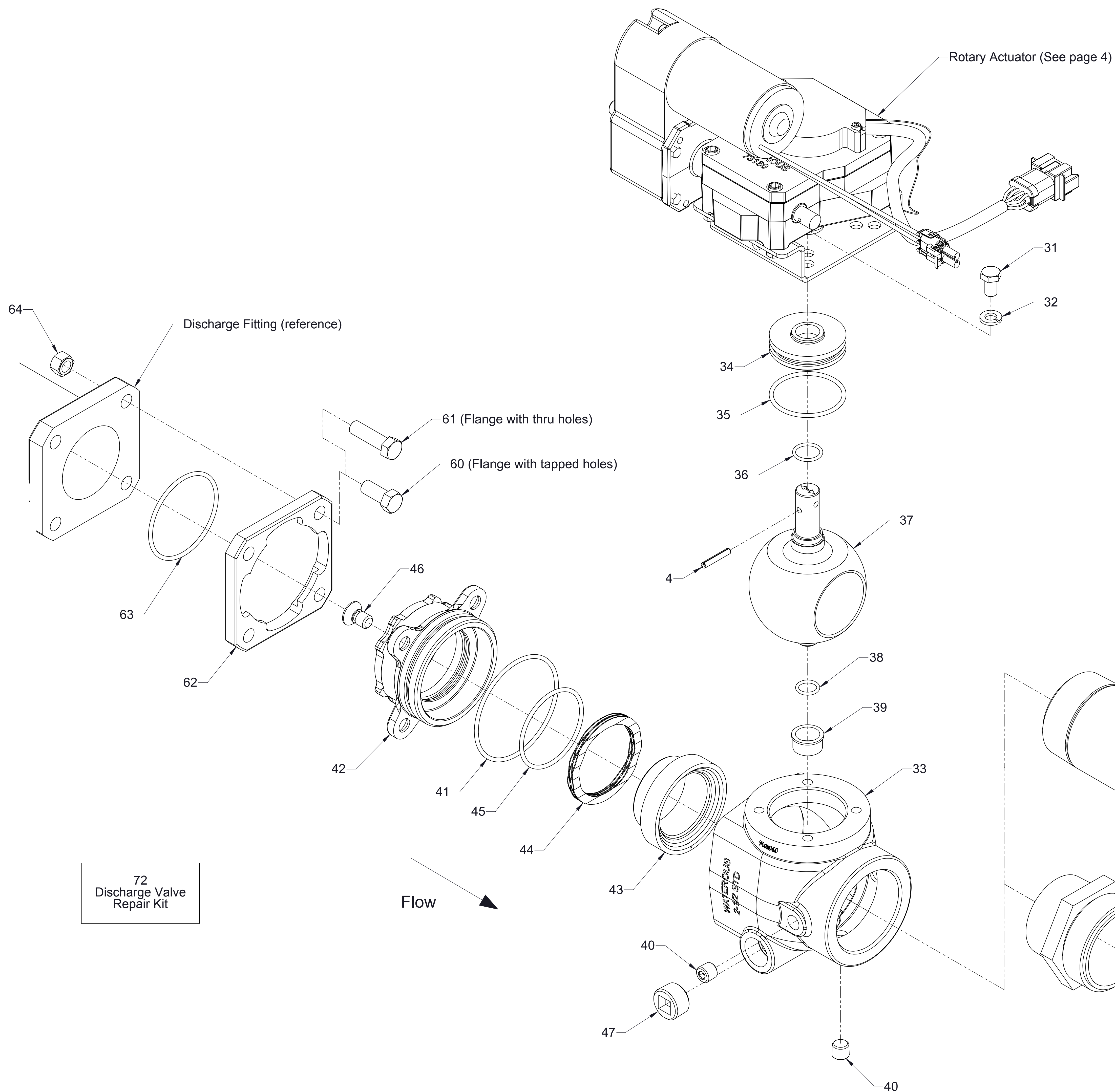


2-1/2 in. Standard Discharge Valve Assembly with Electric Rotary Actuator

Service Parts List

Components	See Page
2-1/2 in. Standard Electric Ball Valve	2
Cables and Panel Components	3
Available Repair Subassemblies	4



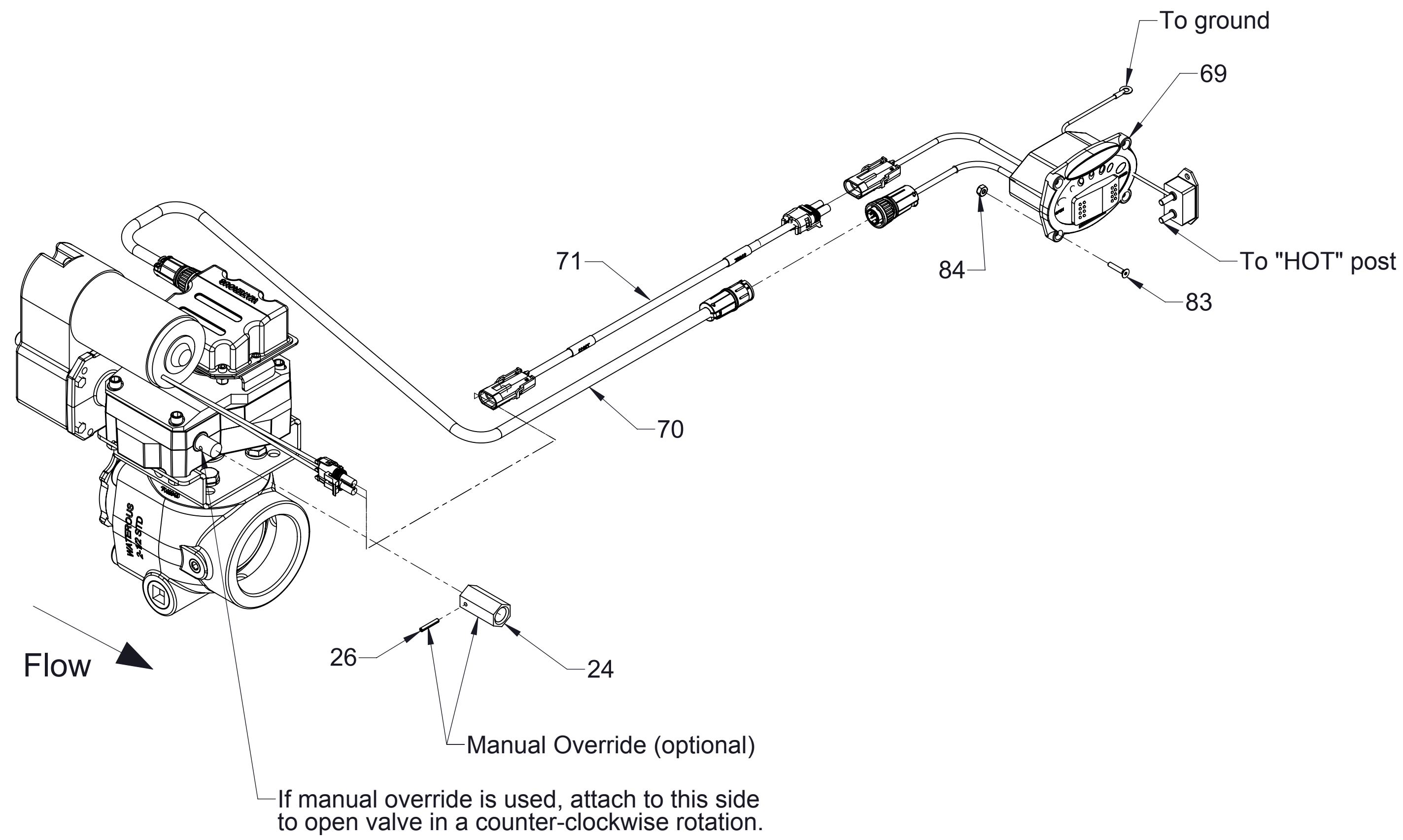


Ref No.	Description
4	Pin-Spring, 3/16 x 1-1/8 in
31	Screw-Hex Hd, 3/8-16 x 5/8 in
32	Washer-Lock, 3/8 in
33	Body-Valve, Discharge
34	Bushing-Stem, Upper
35	O-Ring, 2-1/8 x 2-3/8 in
36	O-Ring, 3/4 x 15/16 in
37	Ball-Discharge Valve
38	O-Ring, 9/16 x 3/4 in
39	Bushing-Lower Stem
40	Plug-Pipe, Headless, 1/4 NPT
41	O-Ring, 3-3/8 x 3-5/8 in
42	RETAINER-SEAL, 2-1/2 STD (DIVAL)
43	Seal-Valve, Ball
44	Spring-Wave
45	O-Ring, 2-1/2 x 2-3/4 in
46	Screw-Machine, Flat Head Socket, 7/16-14 X 3/4 (DIVAL)
47	Plug-Pipe, Headless, 3/4 NPT
60	Screw-Hex Hd, 7/16-14 x 1 in (See note 1)
61	Screw-Hex Hd, 7/16-20 x 1-1/2 in
62	Flange-Mounting
63	O-Ring, 2-3/4 x 3 in
64	Nut-Hex, 7/16-20 (Used only with 61)
65	Nipple-Pipe, 2-1/2 NPT x 10 in (See note 2)
66	Adapter-Hose, 2-1/2 (See note 2)
67	Nipple-Hose, 2-1/2 Double Male (See note 2)
72	Discharge Valve Repair Kit

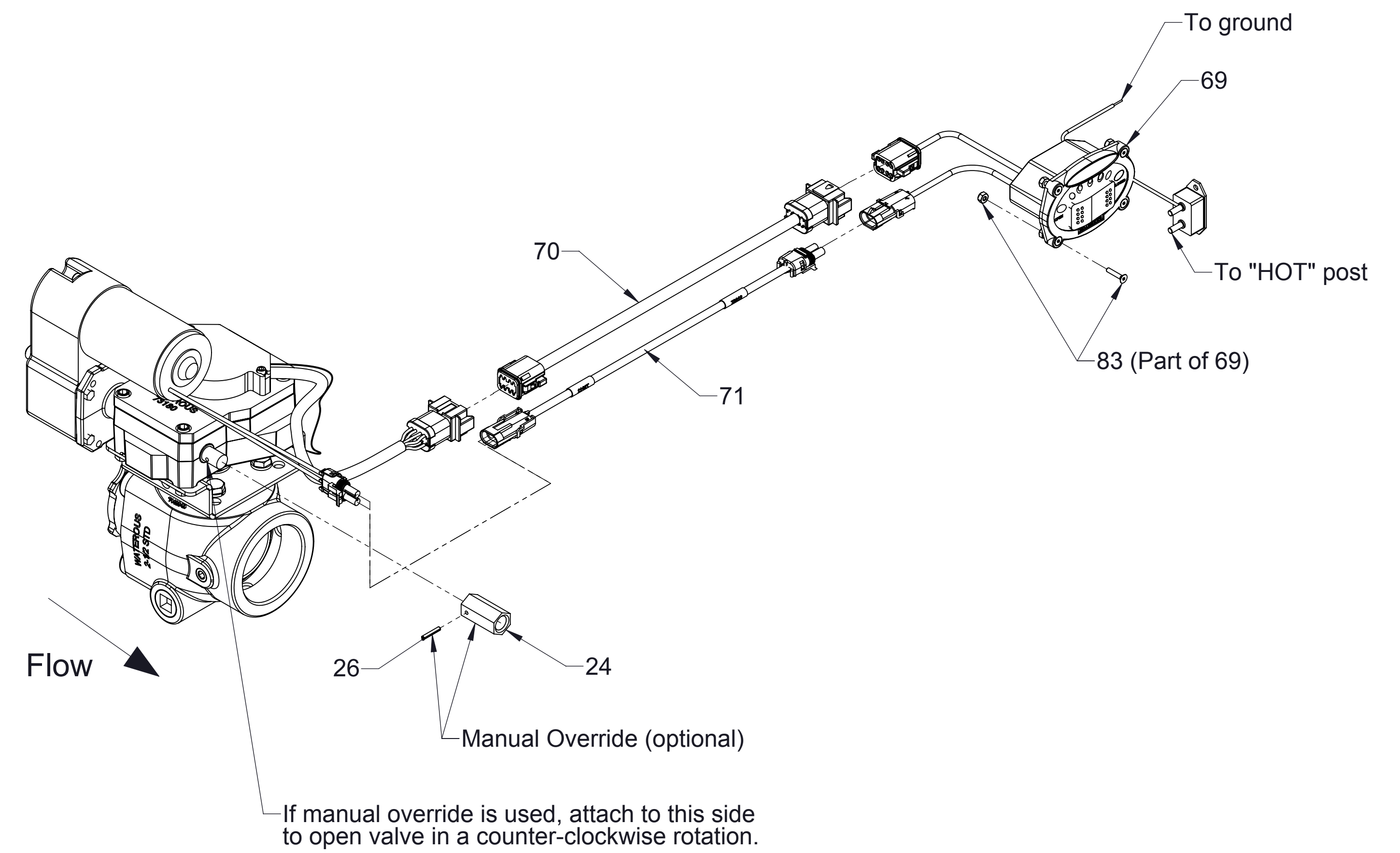
Notes:
 1. Reference number 60, Hex Hd Screw, 7/16-14 x 1 in. used instead of reference number 61, Hex Hd Screw, 7/16-20 x 1-1/2 in. when discharge flange has tapped mounting holes.
 2. Reference number 65, 66, and 67 may have been furnished by either Waterous or original equipment manufacturer.

2-1/2 in Standard Electric Ball Valve

Ref No.	Description
24	Nut-Adapter
26	Pin-Spirol, 1/8 X 3/4 in, Heavy, SS
69	LED Panel Wiring assembly
70	Wire Assembly-Switch Extension
71	Wire-Motor Extension
83	Screw-Machine, Flat Hd, Hex Soc, #6-32 x 3/4 in (Prior to November 6, 2006)
83	Control Panel Mounting Hardware (Includes (4) Socked Hd Screws, #6-32 x 3/4 and (4) Nylok Nuts, #6-32) (After November 6, 2006)
84	Nut-Hex, Nylok, #6-32 (Prior to November 6, 2006)



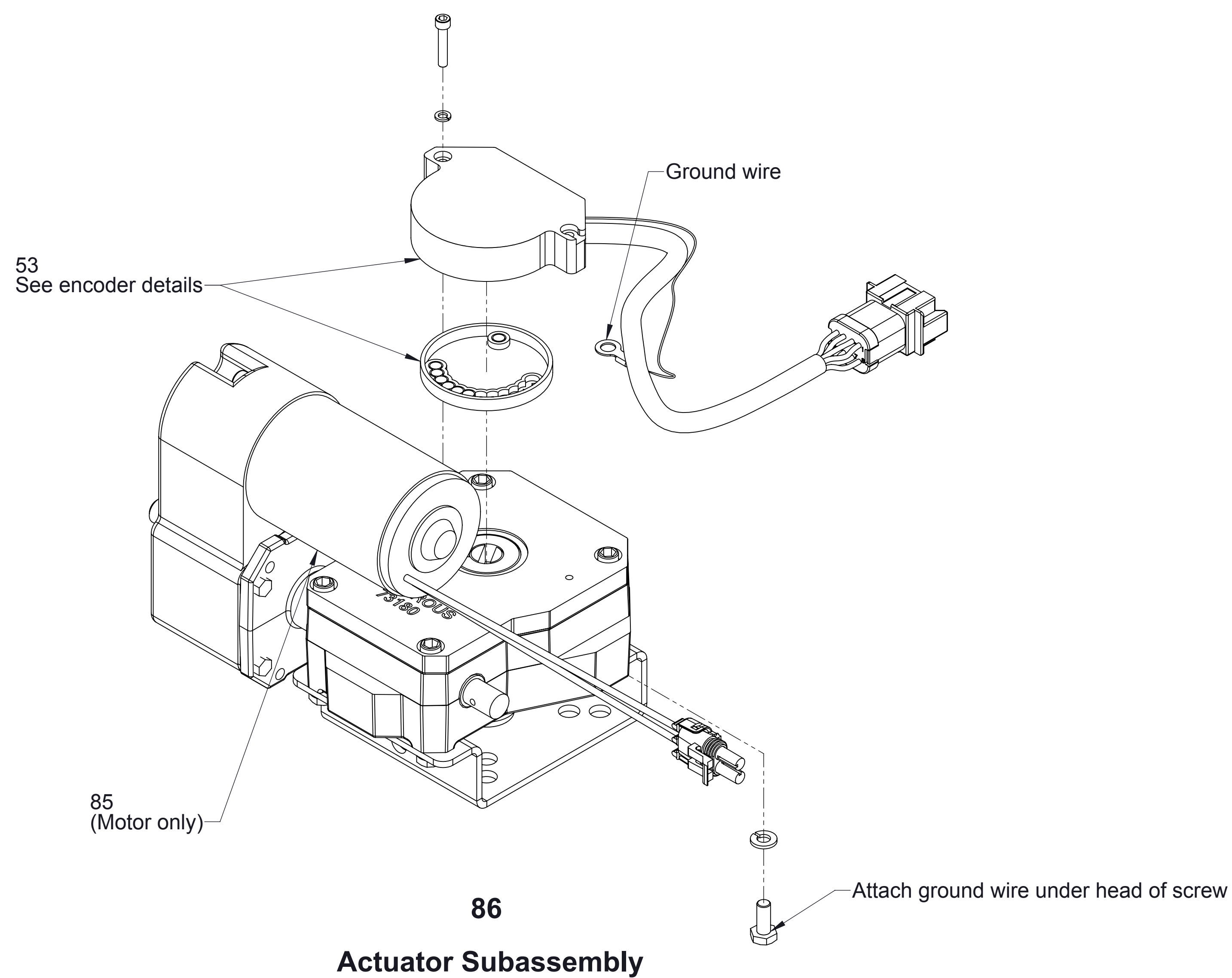
Valves built prior to November 6, 2006



Valves built After November 6, 2006

Cables and Panel Components

Ref No.	Description
53	Rotary Encoder Replacement Kit
85	Motor Replacement Kit
86	Actuator Subassembly
87	Valve and Actuator Subassembly

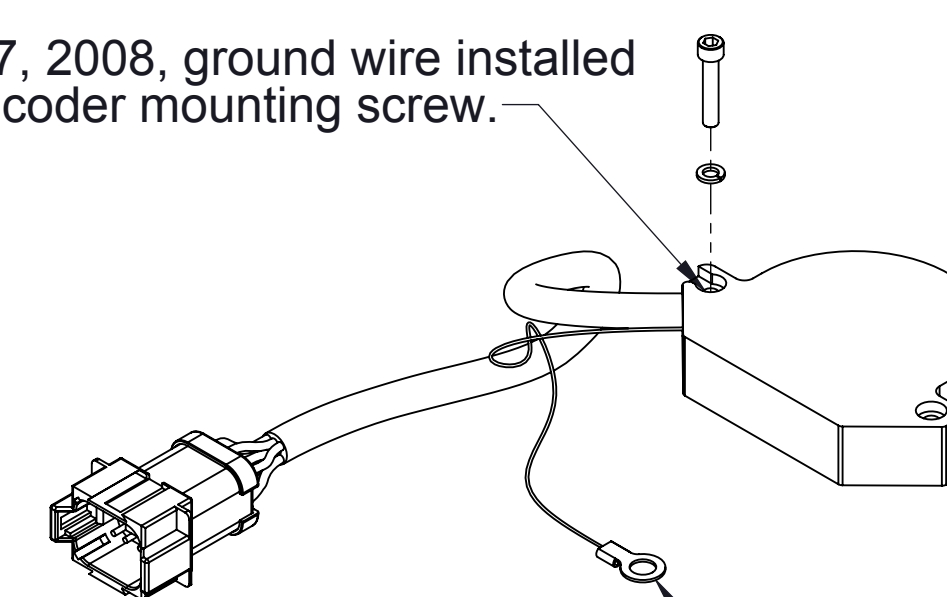


85
Motor Replacement
Kit

53
Rotary Encoder
Replacement Kit

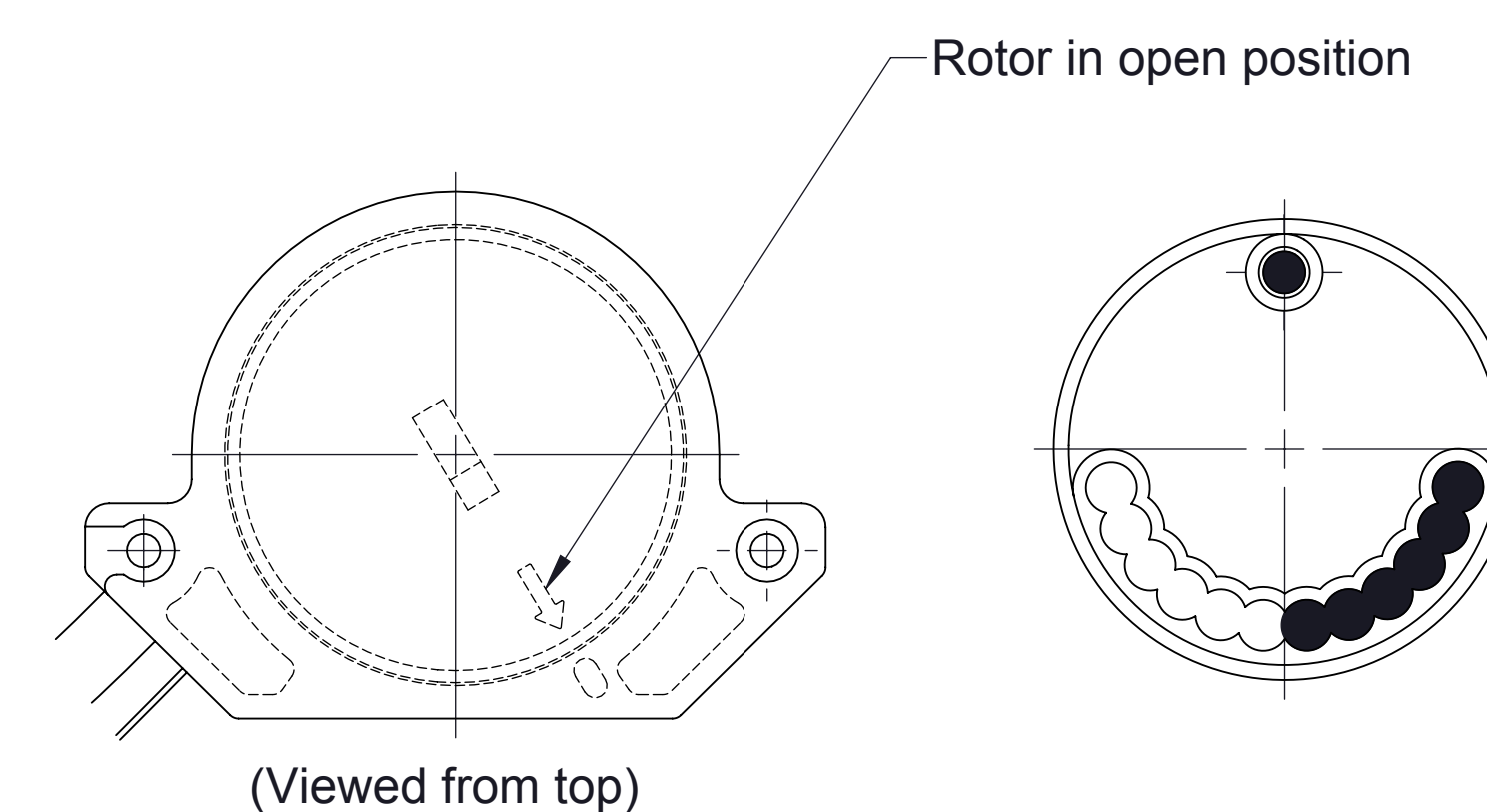
Encoder Details

Prior to January 7, 2008, ground wire installed under head of encoder mounting screw.



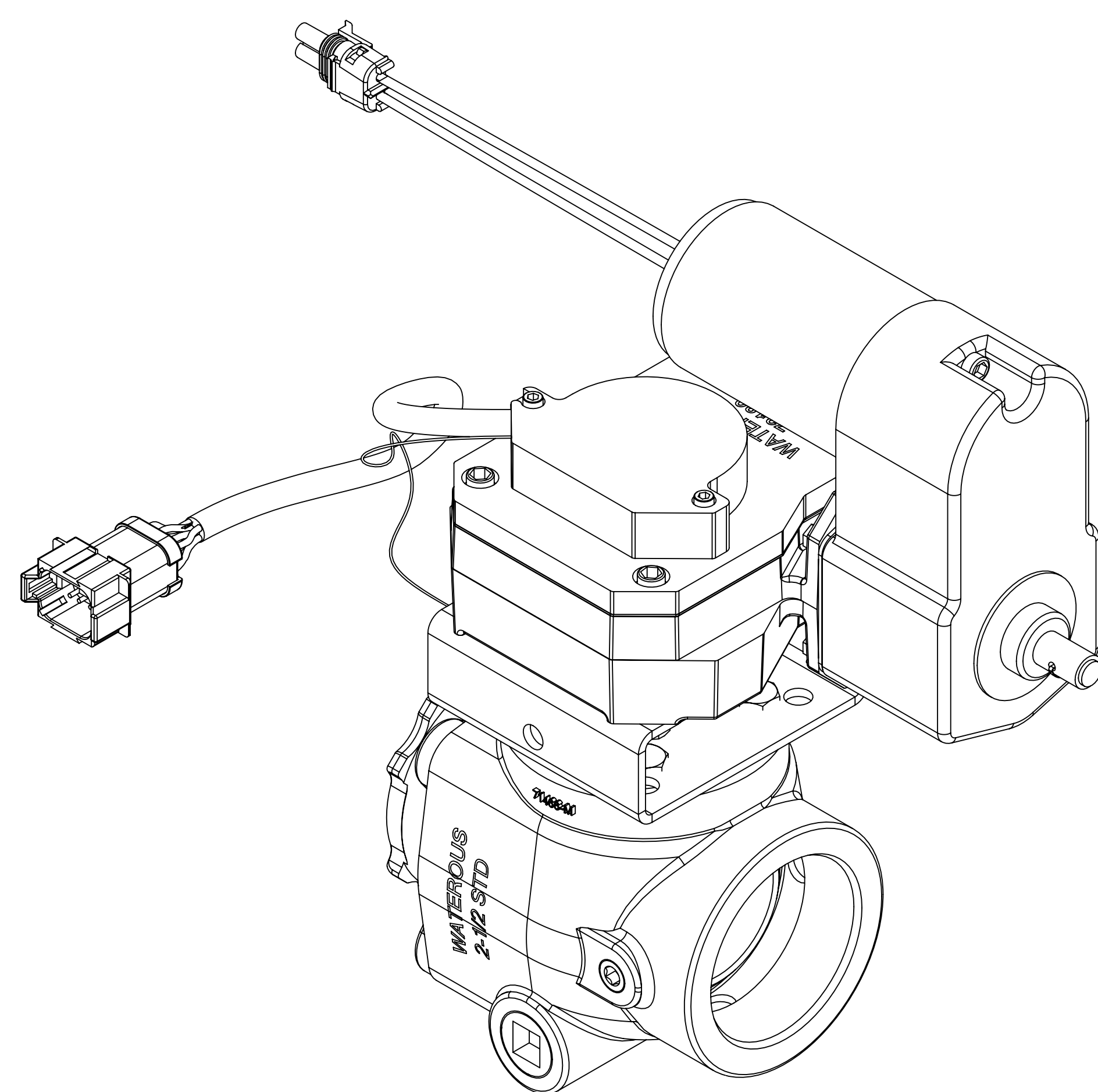
After January 7, 2008, ground wire installed under head of mounting bracket, see 86.

Encoder Ground Wire Detail



Rotor Position

Rotor Magnet Positions



87
Valve and Actuator Subassembly

Available Repair Subassemblies