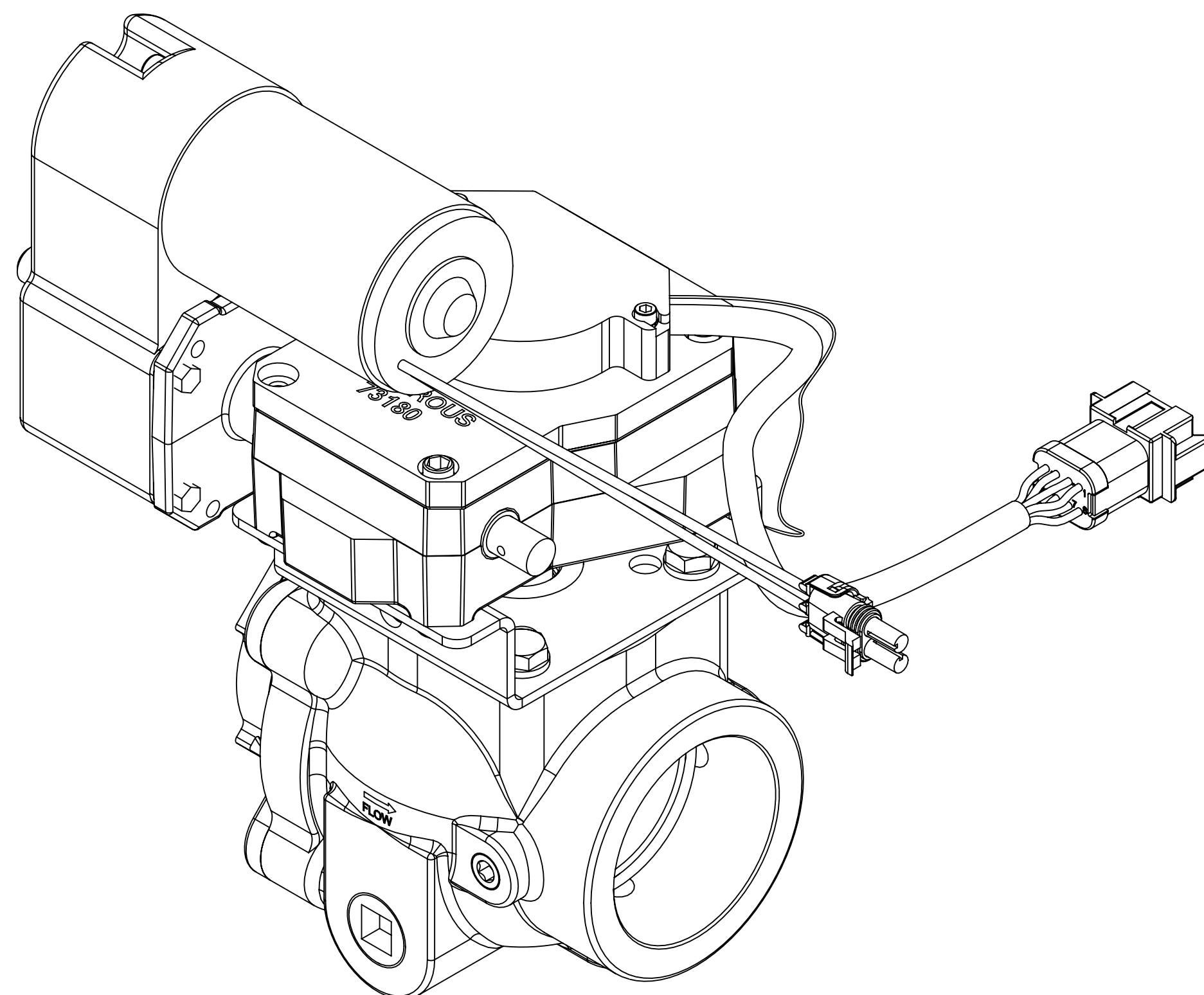
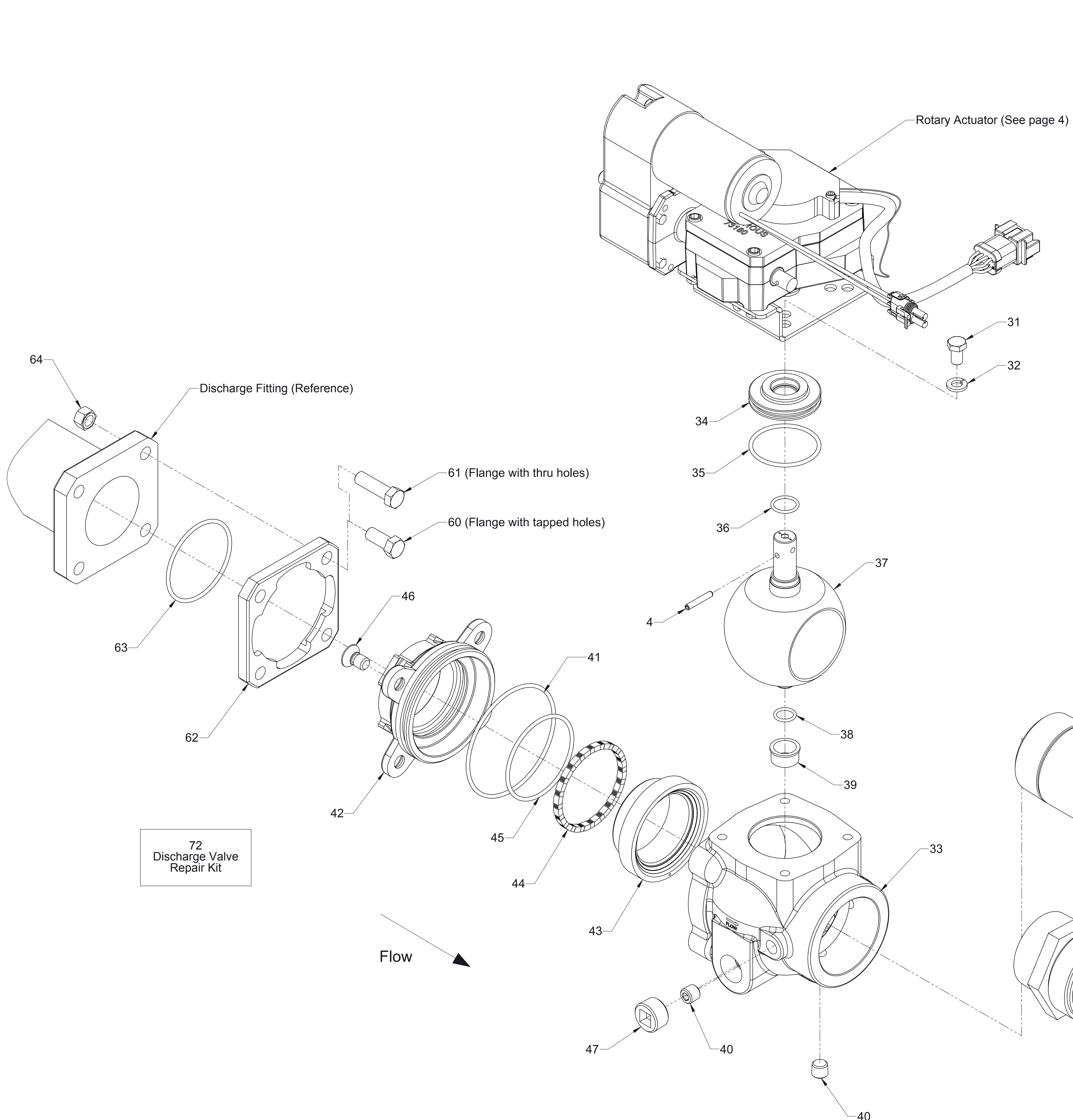


2-1/2 in. Full Flow Discharge Valve Assembly with Electric Rotary Actuator

Service Parts List

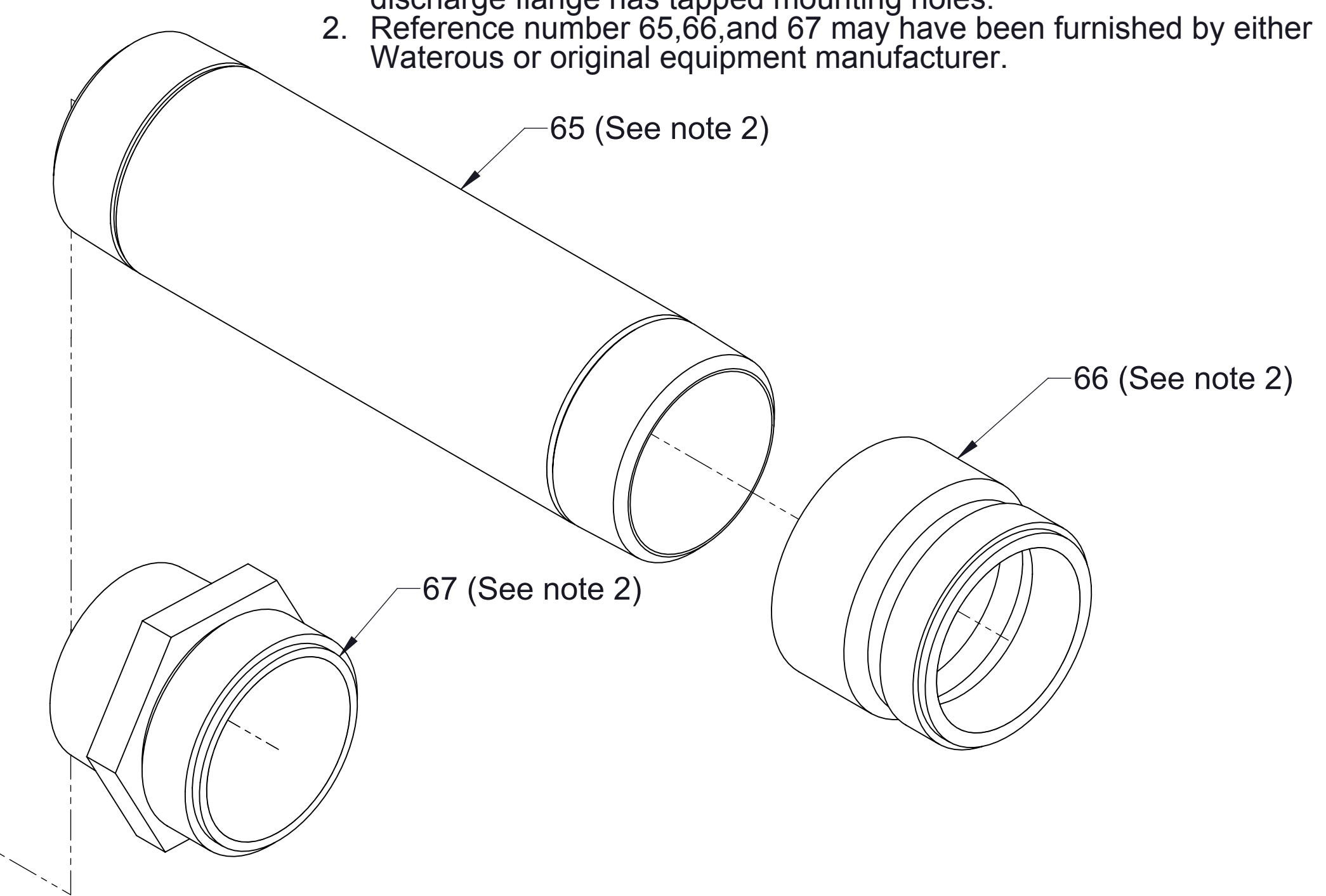
Components	See Page
2-1/2 in. Full Flow Electric Ball Valve	2
Cables and Panel Components	3
Available Repair Subassemblies	4





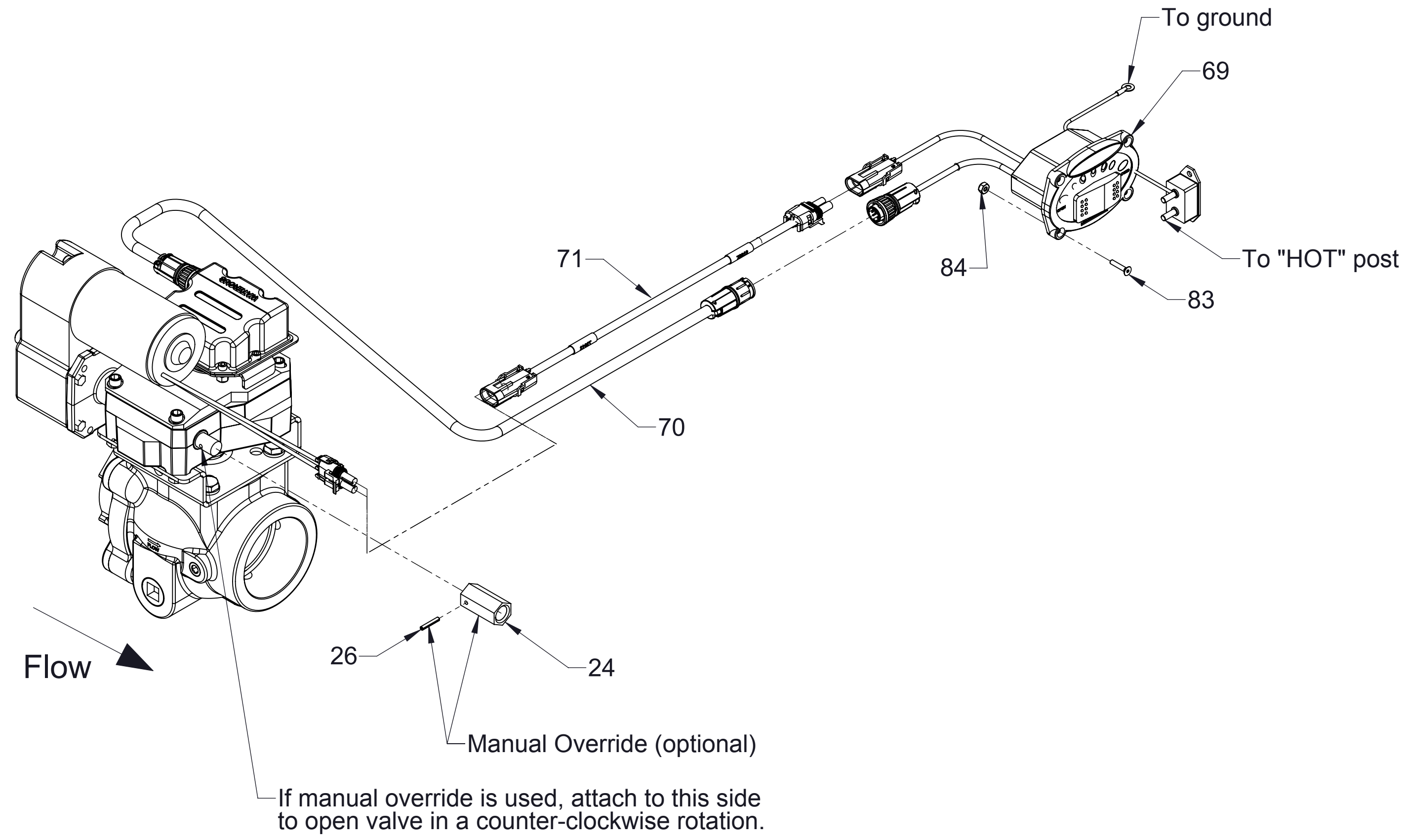
Ref No.	Description
4	Pin-Spring, 3/16 x 1-1/8 in, SS
31	Screw-Hex Head, 3/8-16 X 5/8 in, Zinc Plated
32	Washer-Lock, 3/8 in, Zinc Plated
33	Body-Valve, Discharge (2.5 FF)
34	Bushing-Stem, Upper (2-1/2 FF)
35	O-Ring, 2-1/8 x 2-3/8 in
36	O-Ring, 3/4 x 15/16 in
37	Ball-Discharge, Valve (2.5 FF)
38	O-Ring, 9/16 x 3/4 in
39	Bushing-Lower Stem
40	Plug-Pipe, Headless, 1/4 NPT, Steel
41	O-Ring, 3-7/8 X 4-1/8 in
42	Retainer-Seal (2-1/2 FF)
43	Seal-Valve, Ball (2-1/2 FF)
44	Spring-Wave
45	O-Ring, 2-7/8 x 3-1/8 in
46	Screw-Machine, Flat Head Socket, 7/16-14 X 3/4 (DIVAL)
47	Plug-Pipe, Headless, 3/4 NPT, Steel
60	Screw-Hex Hd, 7/16-14 x 1 in (See note 1)
61	Screw-Hex Hd, 7/16-20 x 1-1/2 in
62	Flange-Mounting
63	O-Ring, 2-3/4 x 3 in
64	Nut-Hex, 7/16-20 (Used only with 61)
65	Nipple-Pipe, 2-1/2 NPT x 10 in (See note 2)
66	Adapter-Hose, 2-1/2 (See note 2)
67	Nipple-Hose, 2-1/2 Double Male (See note 2)
72	Discharge Valve Repair Kit

Notes:
 1. Reference number 60, Hex Hd Screw, 7/16-14 x 1 in. used instead of reference number 61, Hex Hd Screw, 7/16-20 x 1-1/2 in. when discharge flange has tapped mounting holes.
 2. Reference number 65, 66, and 67 may have been furnished by either Waterous or original equipment manufacturer.

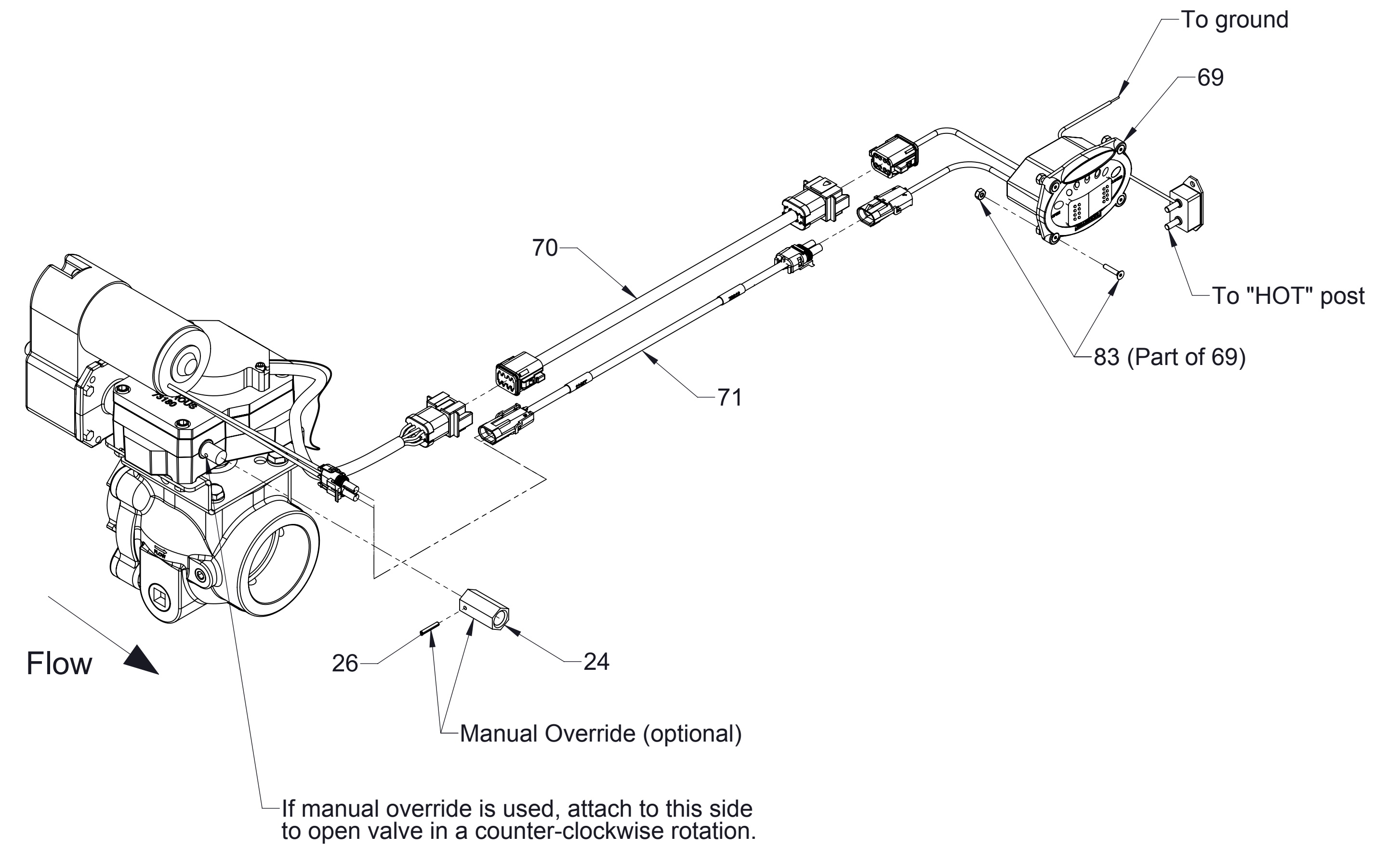


2-1/2 in Full Flow Electric Ball Valve

Ref No.	Description
24	Nut-Adapter
26	Pin-Spirol, 1/8 x 3/4 in
69	73037-Bezel
70	Wire Assembly-Switch Extension
71	Wire-Motor Extension
83	Screw-Machine, Flat Hd, Hex Soc, #6-32 x 3/4 in (Prior to November 6, 2006)
83	Control Panel Mounting Hardware (Includes (4) Socked Hd Screws, #6-32 x 3/4 and (4) Nylok Nuts, #6-32) (After November 6, 2006)
84	Nut-Hex, Nylok, #6-32 (Prior to November 6, 2006)



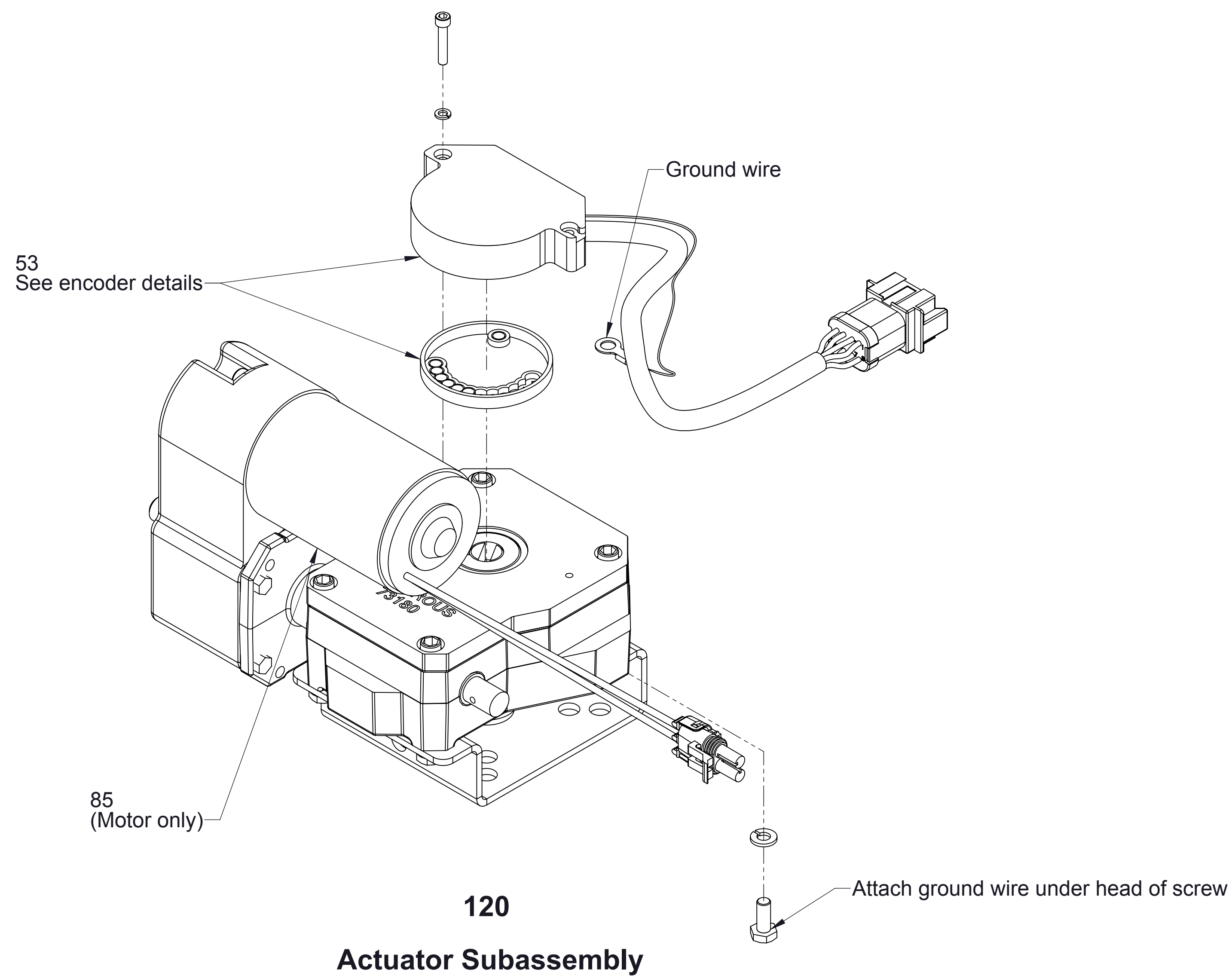
Valves built prior to November 6, 2006



Valves built After November 6, 2006

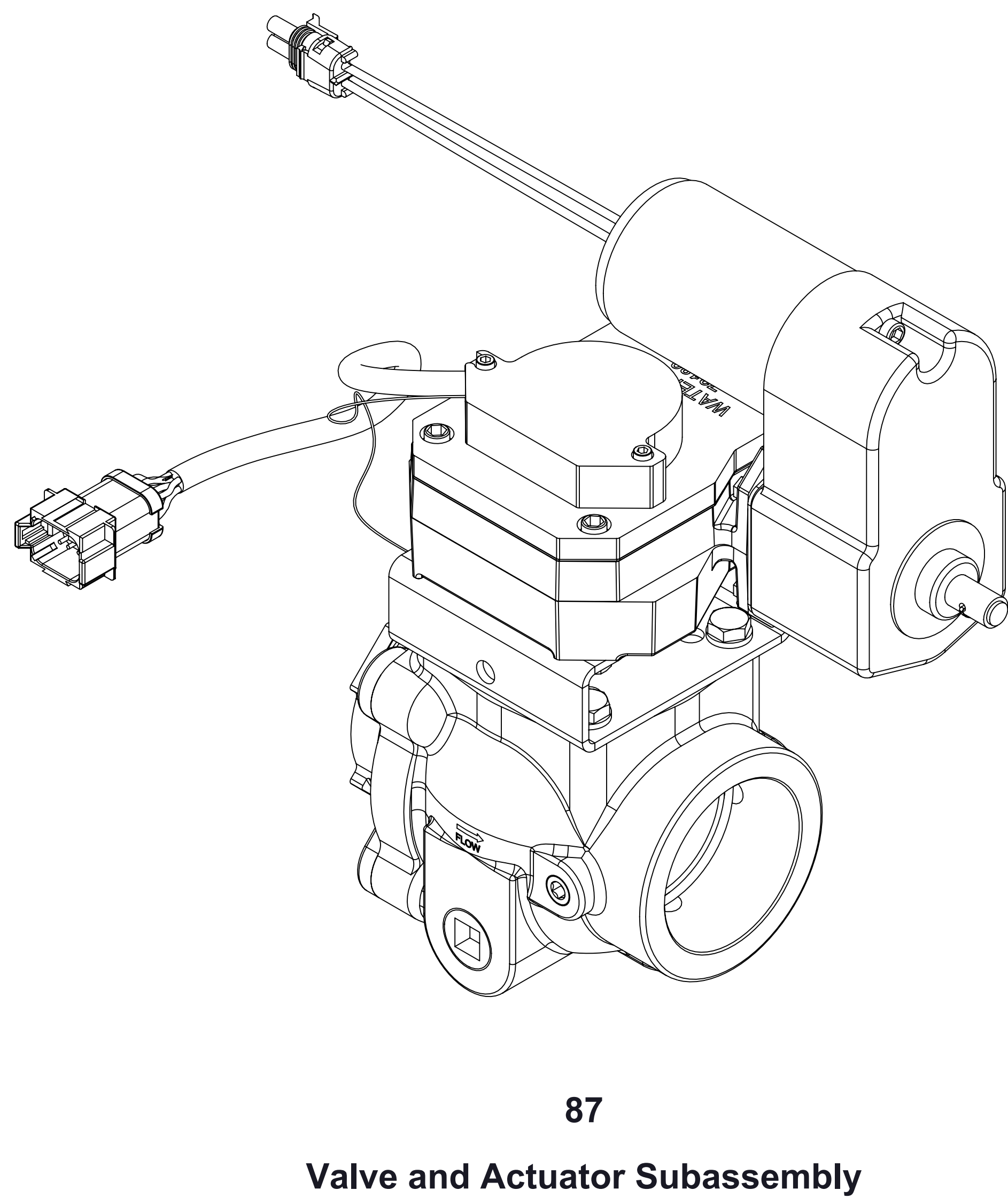
Cables and Panel Components

Ref No.	Description
53	Rotary Encoder Replacement Kit
85	Motor Replacement Kit
87	Valve and Actuator Subassembly
120	Actuator Subassembly



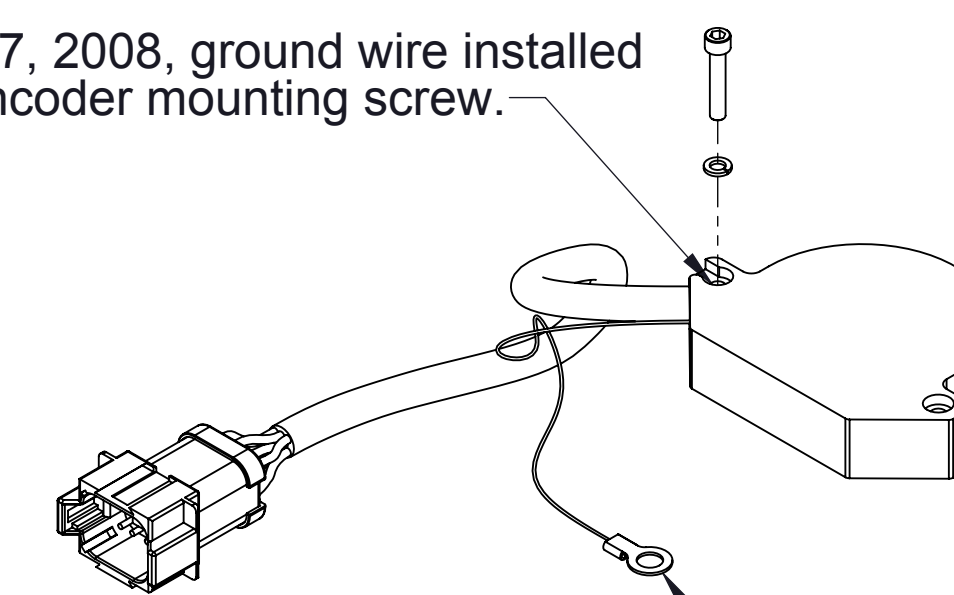
85
Motor Replacement
Kit

53
Rotary Encoder
Replacement Kit



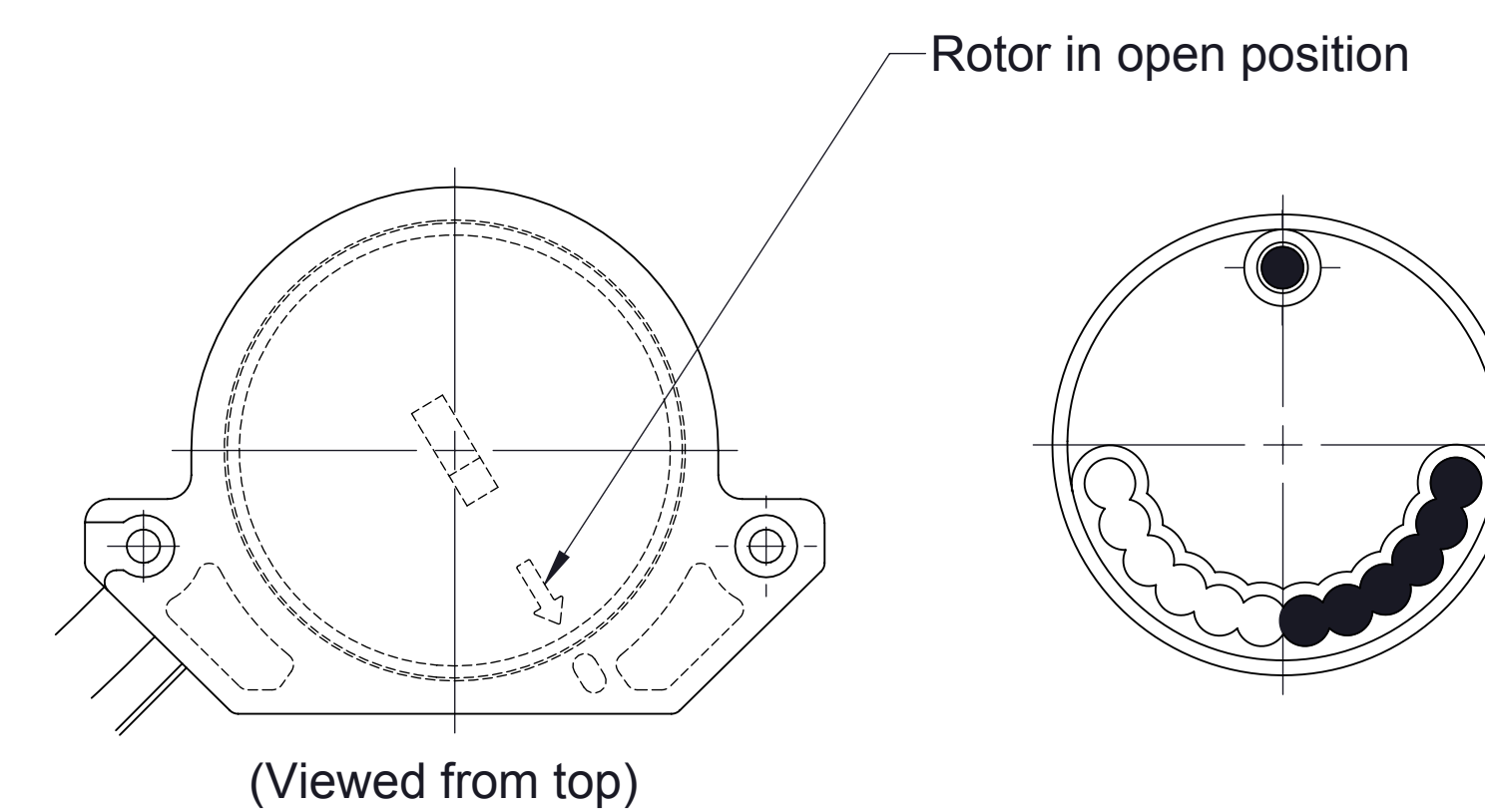
Encoder Details

Prior to January 7, 2008, ground wire installed under head of encoder mounting screw.



After January 7, 2008, ground wire installed under head of mounting bracket, see 120.

Encoder Ground Wire Detail



Rotor Position

Rotor Magnet Positions