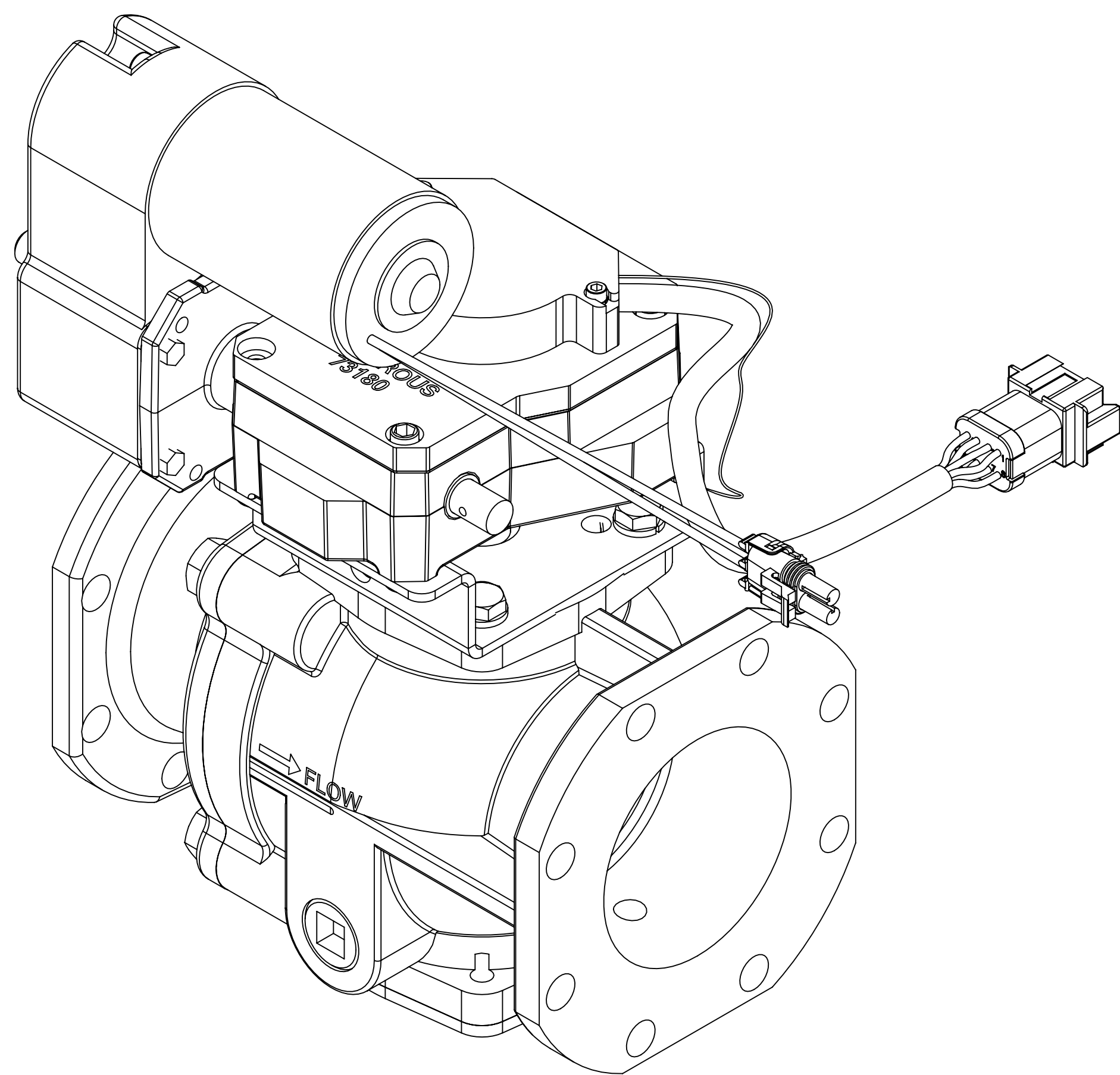
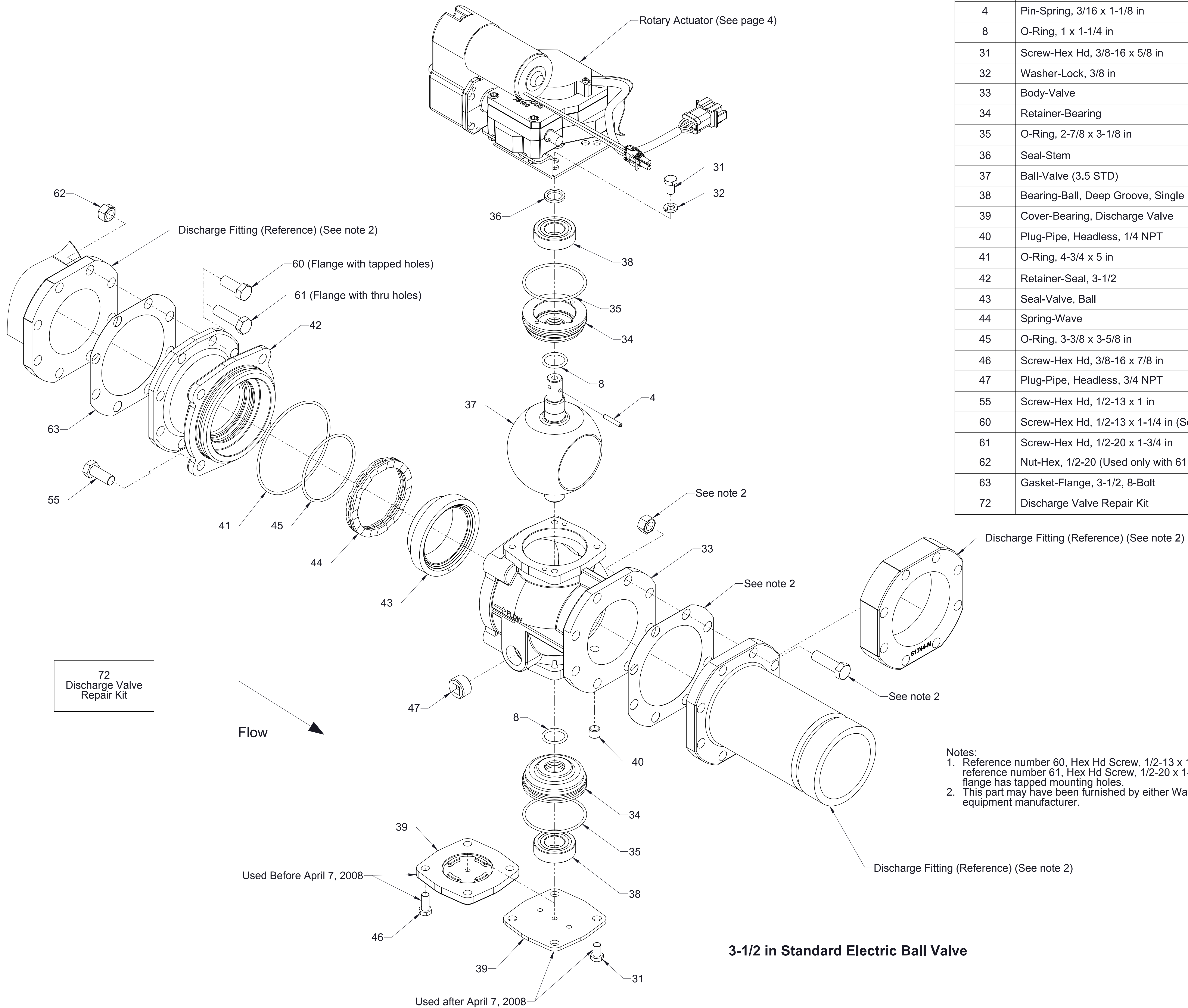


3-1/2 in. Standard Discharge Valve Assembly with Electric Rotary Actuator

Service Parts List

Components	See Page
3-1/2 in. Standard Electric Ball Valve	2
Cables and Panel Components	3
Available Repair Subassemblies	4



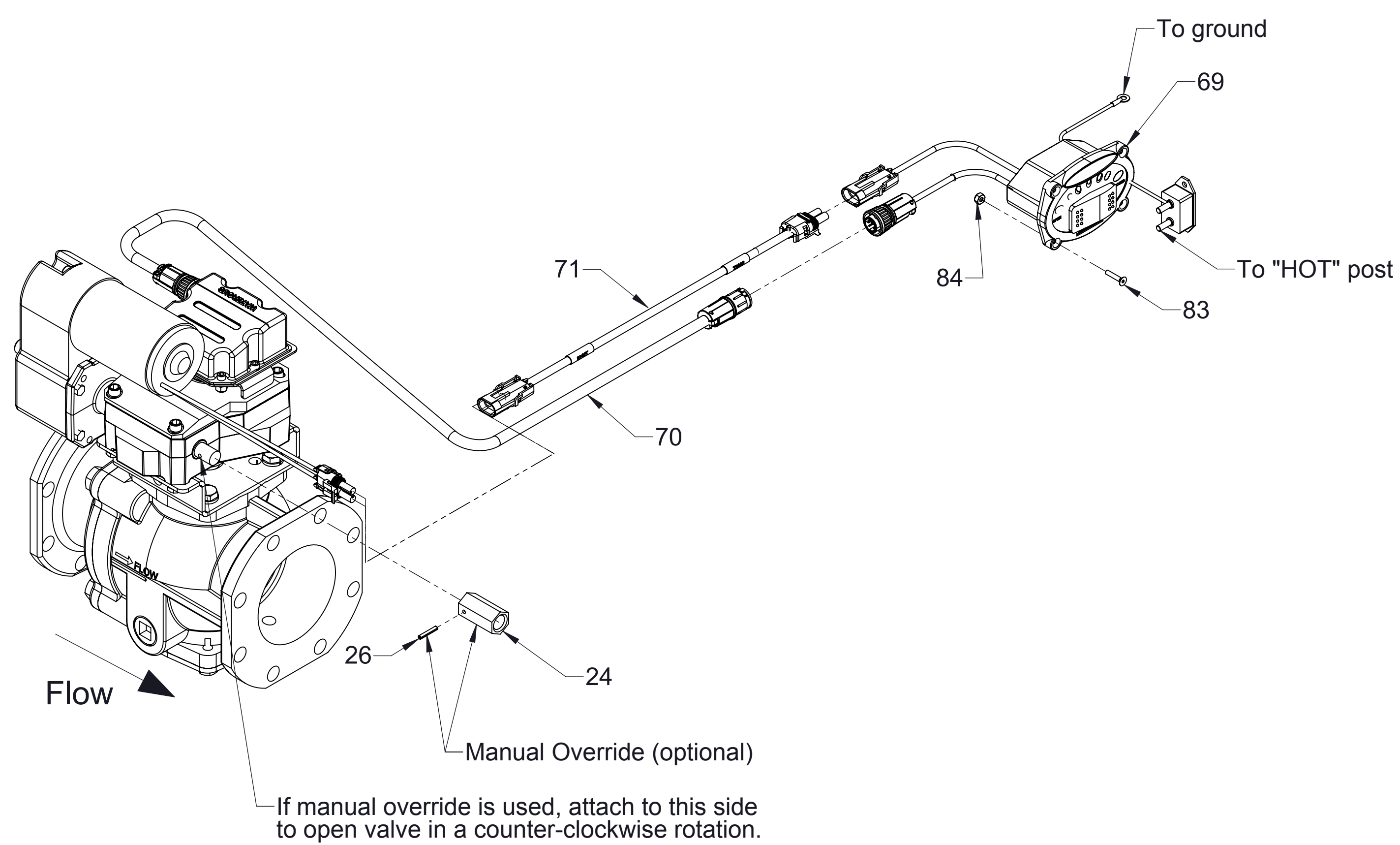


Ref No.	Description
4	Pin-Spring, 3/16 x 1-1/8 in
8	O-Ring, 1 x 1-1/4 in
31	Screw-Hex Hd, 3/8-16 x 5/8 in
32	Washer-Lock, 3/8 in
33	Body-Valve
34	Retainer-Bearing
35	O-Ring, 2-7/8 x 3-1/8 in
36	Seal-Stem
37	Ball-Valve (3.5 STD)
38	Bearing-Ball, Deep Groove, Single Row, Double Seal
39	Cover-Bearing, Discharge Valve
40	Plug-Pipe, Headless, 1/4 NPT
41	O-Ring, 4-3/4 x 5 in
42	Retainer-Seal, 3-1/2
43	Seal-Valve, Ball
44	Spring-Wave
45	O-Ring, 3-3/8 x 3-5/8 in
46	Screw-Hex Hd, 3/8-16 x 7/8 in
47	Plug-Pipe, Headless, 3/4 NPT
55	Screw-Hex Hd, 1/2-13 x 1 in
60	Screw-Hex Hd, 1/2-13 x 1-1/4 in (See note 1)
61	Screw-Hex Hd, 1/2-20 x 1-3/4 in
62	Nut-Hex, 1/2-20 (Used only with 61)
63	Gasket-Flange, 3-1/2, 8-Bolt
72	Discharge Valve Repair Kit

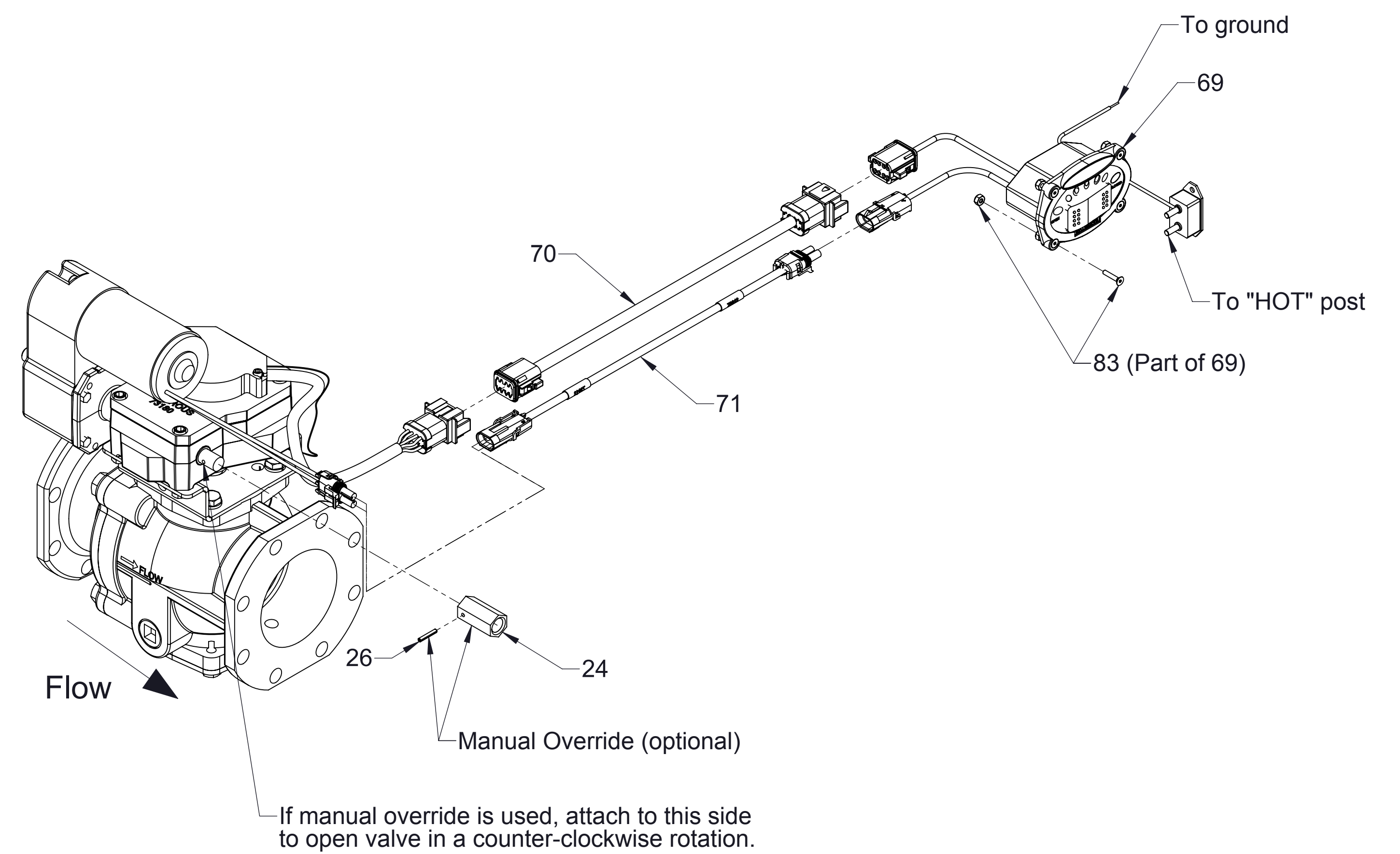
Notes:
 1. Reference number 60, Hex Hd Screw, 1/2-13 x 1-1/4 in. used instead of reference number 61, Hex Hd Screw, 1/2-20 x 1-3/4 in. when discharge flange has tapped mounting holes.
 2. This part may have been furnished by either Waterous or original equipment manufacturer.

3-1/2 in Standard Electric Ball Valve

Ref No.	Description
24	Nut-Adapter
26	Pin-Spirol, 1/8 X 3/4 in, Heavy, SS
69	LED Panel Wiring Assembly
70	Wire Assembly-Switch Extension
71	Wire-Motor Extension
83	Screw-Machine, Flat Hd, Hex Soc, #6-32 x 3/4 in (Prior to November 6, 2006)
83	Control Panel Mounting Hardware (Includes (4) Socked Hd Screws, #6-32 x 3/4 and (4) Nylok Nuts, #6-32) (After November 6, 2006)
84	Nut-Hex, Nylok, #6-32 (Prior to November 6, 2006)



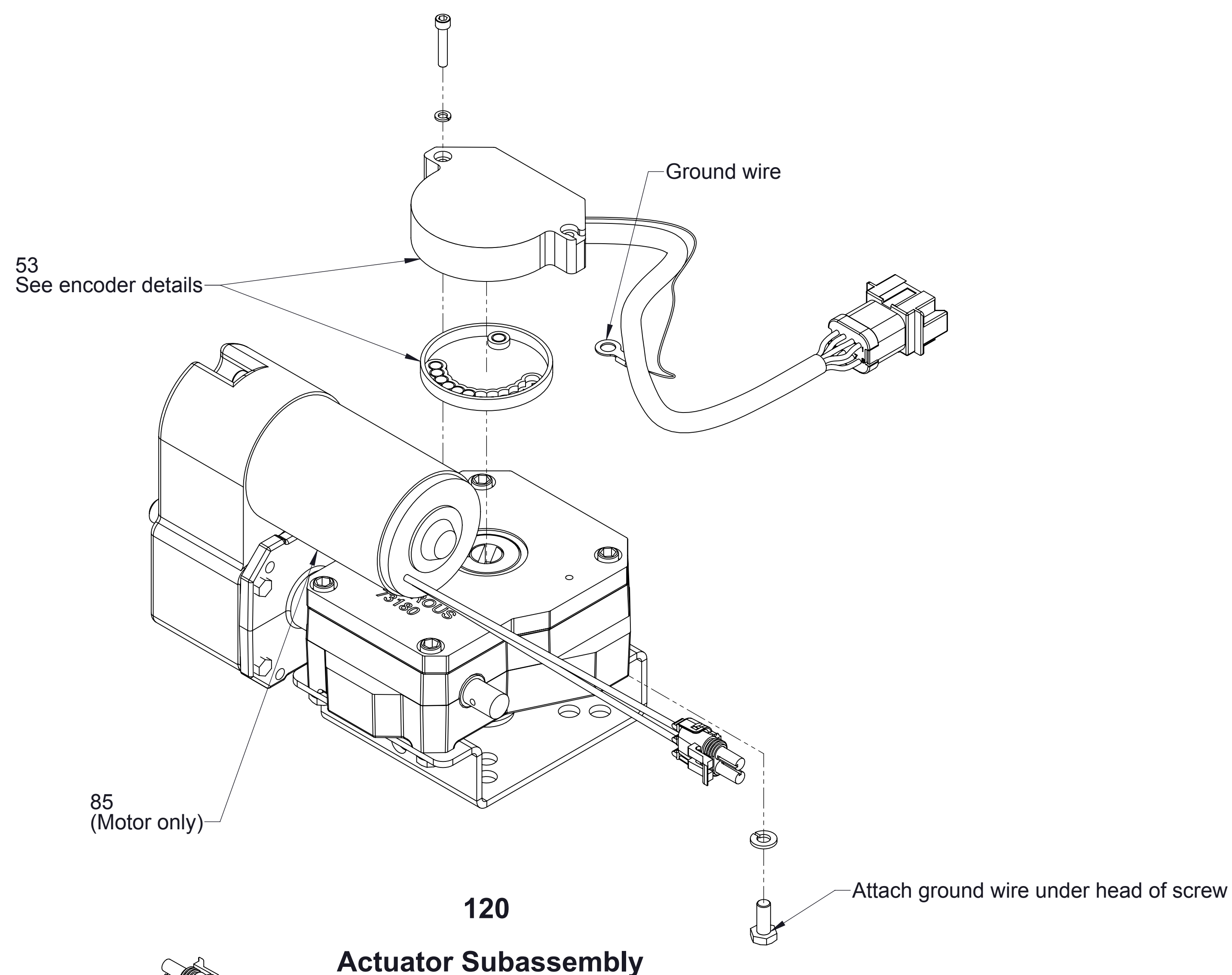
Valves built prior to November 6, 2006



Valves built After November 6, 2006

Cables and Panel Components

Ref No.	Description
53	Rotary Encoder Replacement Kit
85	Motor Replacement Kit
87	Valve and Actuator Subassembly
120	Actuator Subassembly



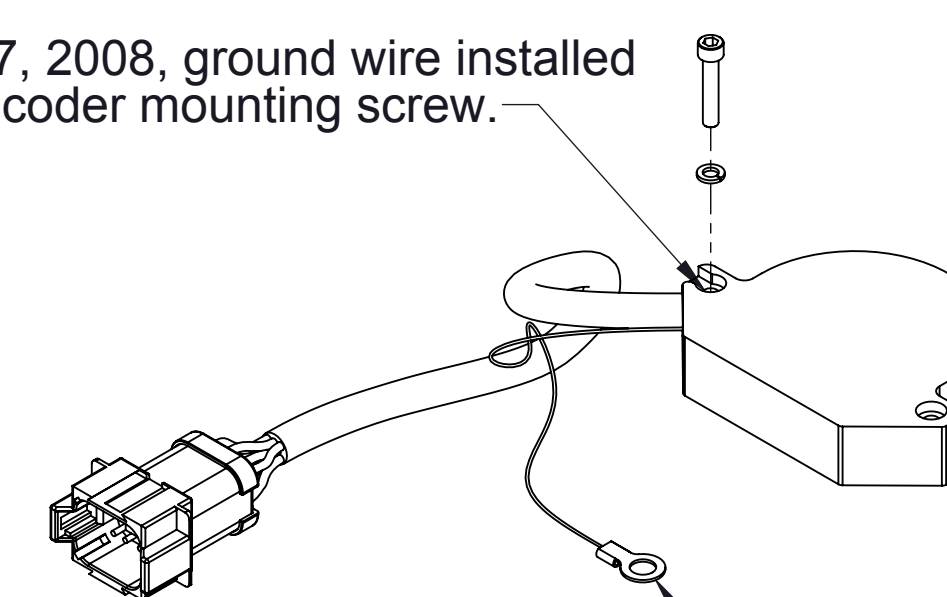
85
Motor Replacement
Kit

53
Rotary Encoder
Replacement Kit

120
Actuator Subassembly

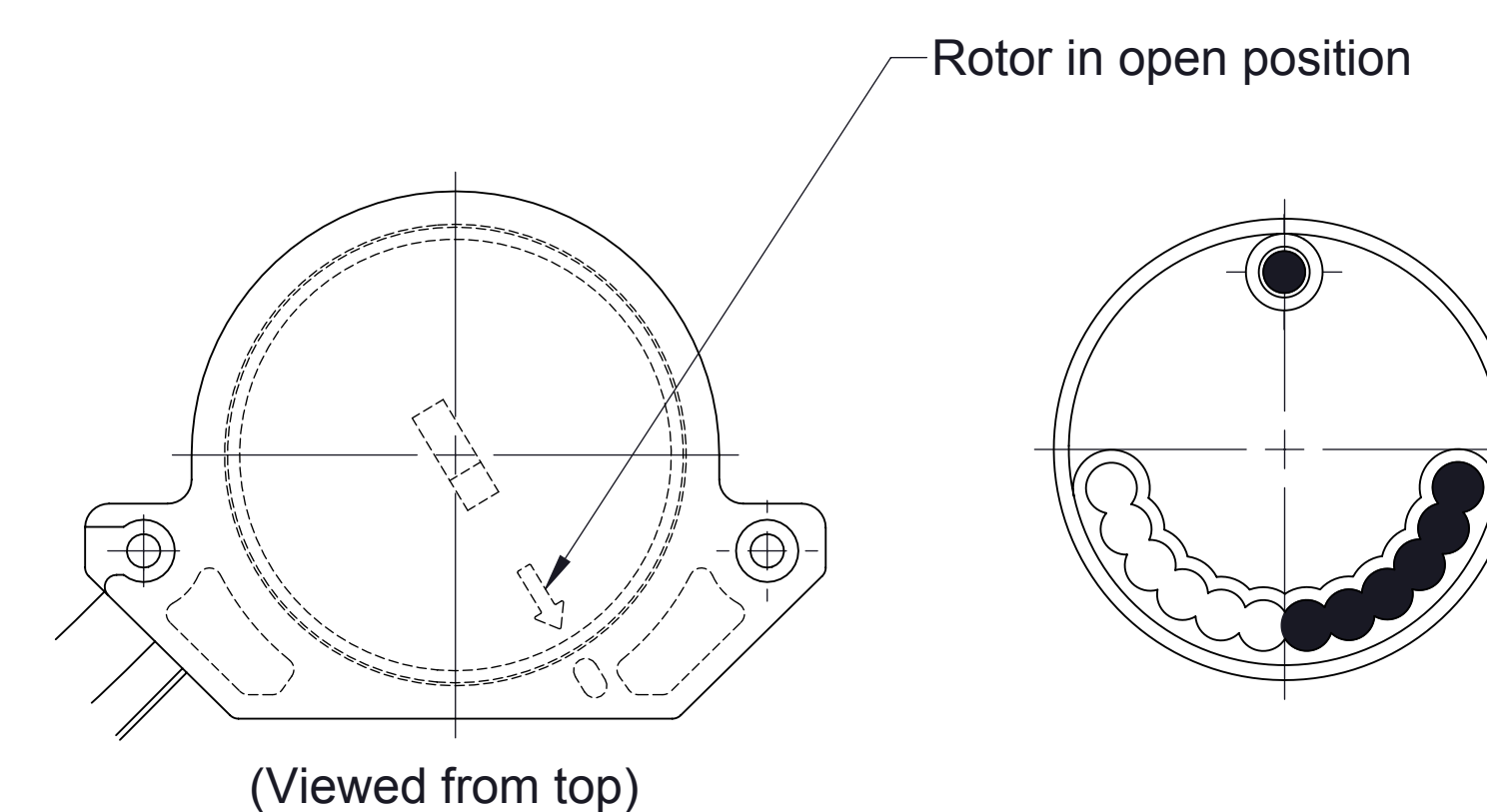
Encoder Details

Prior to January 7, 2008, ground wire installed under head of encoder mounting screw.



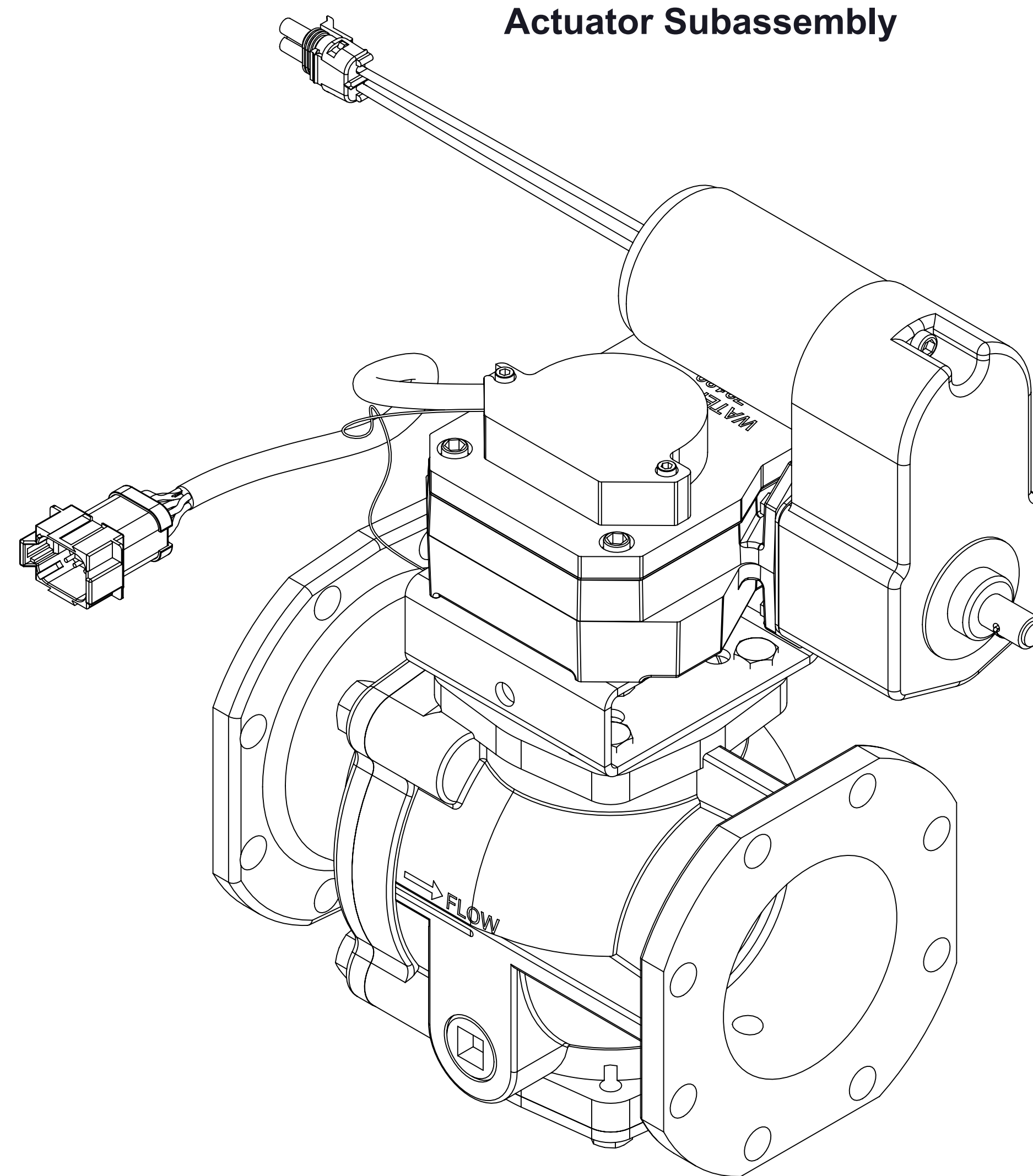
After January 7, 2008, ground wire installed under head of mounting bracket, see 120.

Encoder Ground Wire Detail



Rotor Position

Rotor Magnet Positions



87
Valve and Actuator Subassembly

Available Repair Subassemblies