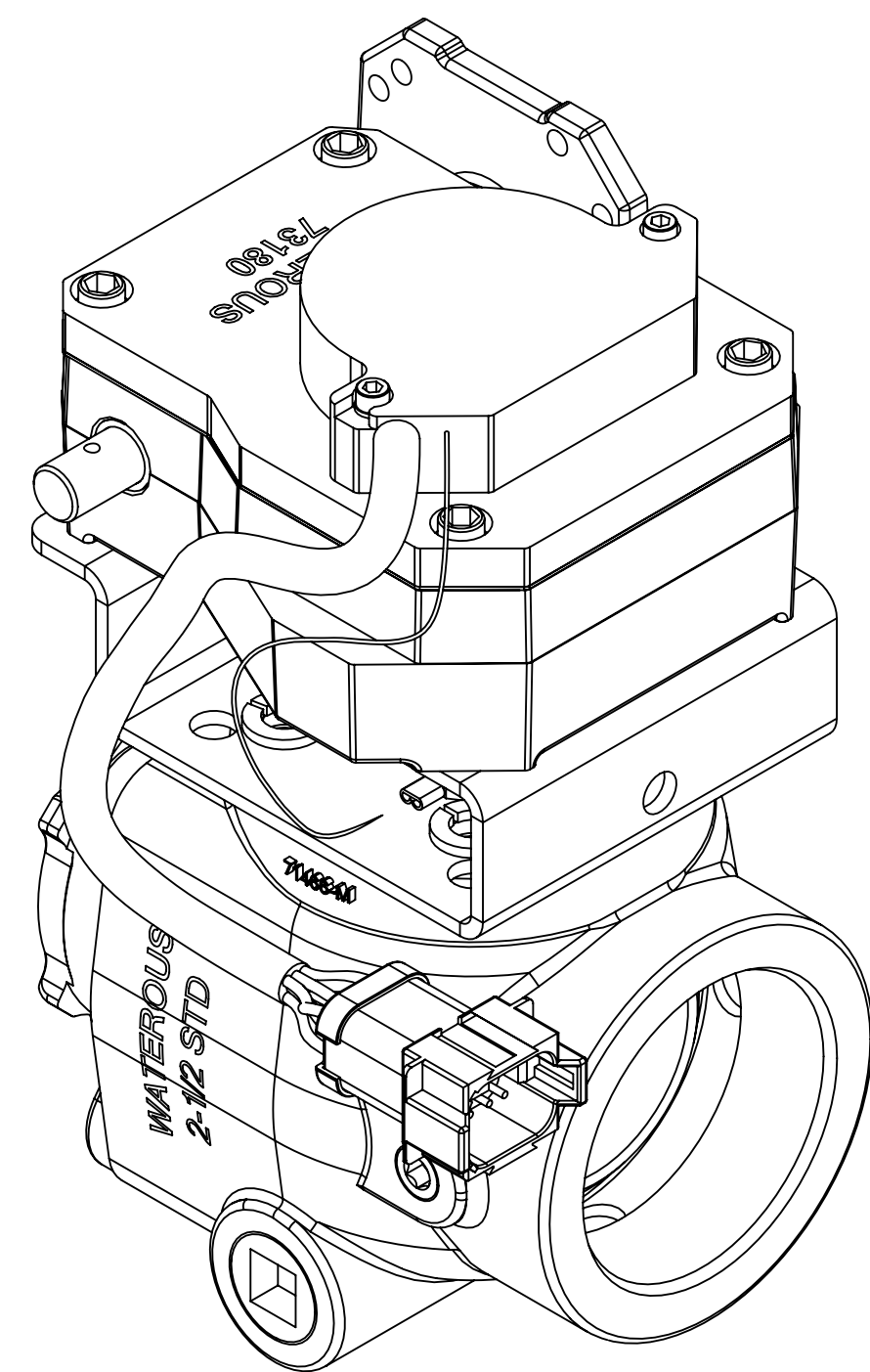
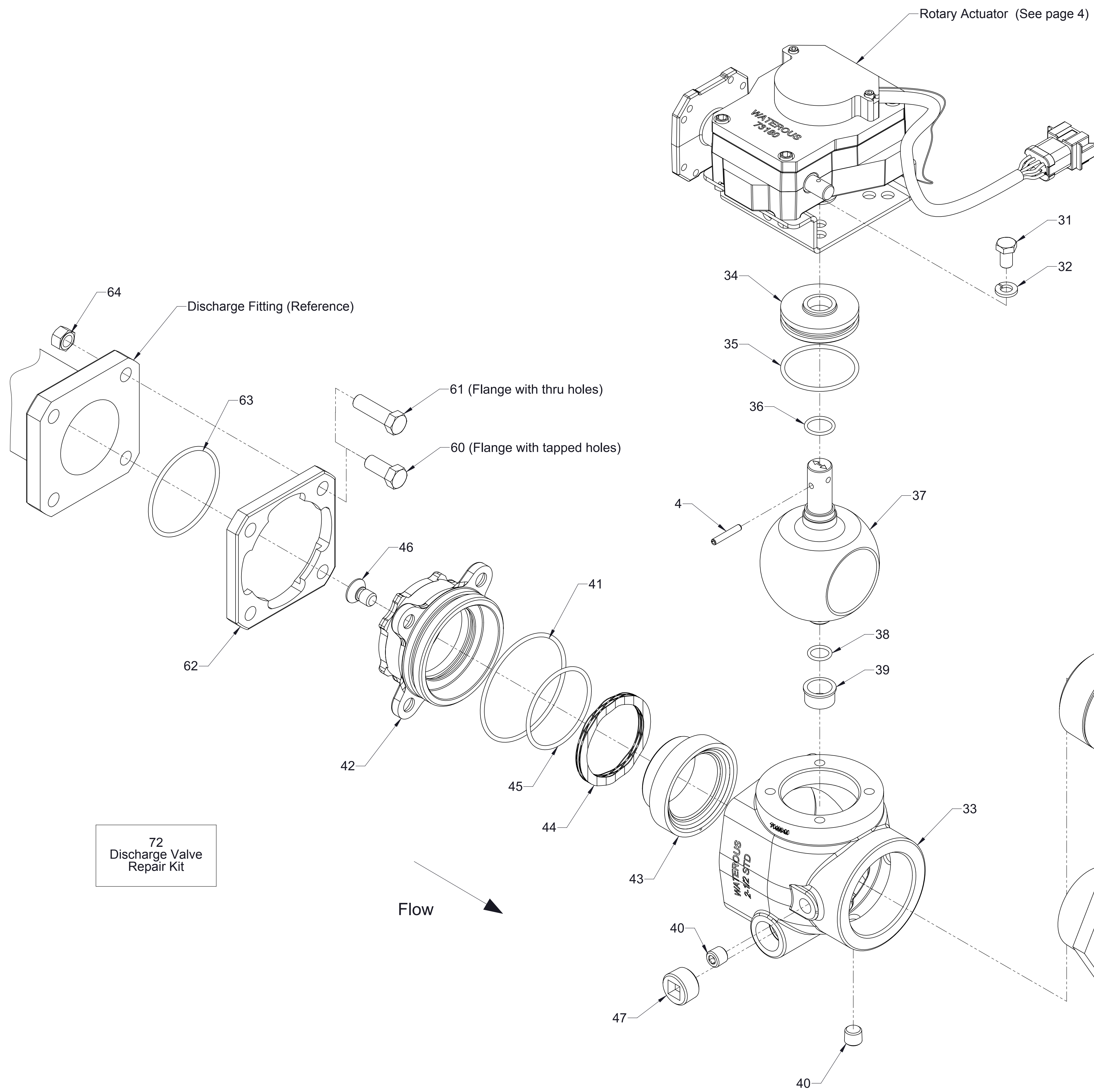


2-1/2 in. Standard Discharge Valve Assembly with Manual Rotary Actuator

Service Parts List

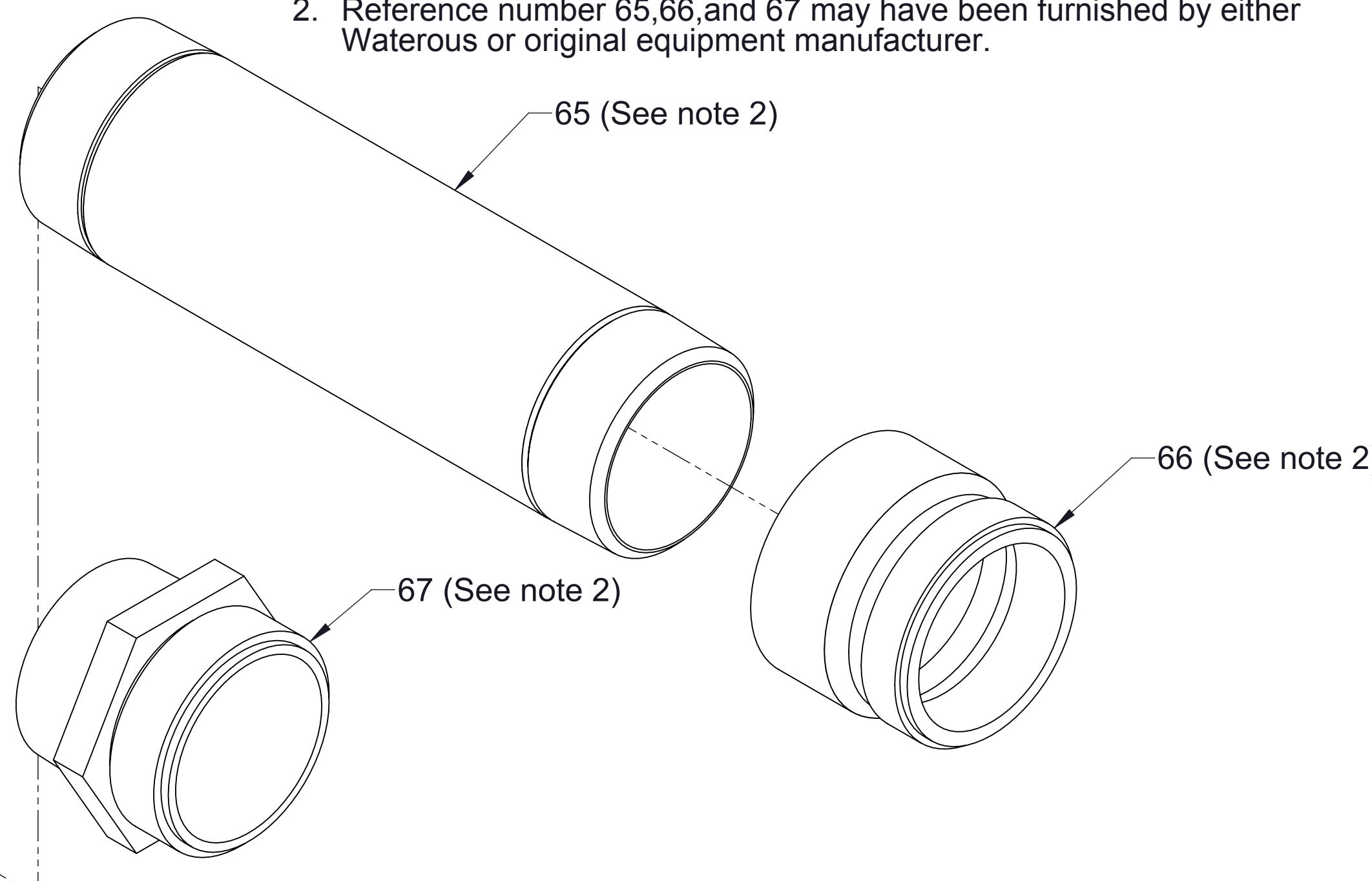
Components	See Page
2-1/2 in. Standard Ball Valve	2
Cables and Panel Components	3
Available Repair Subassemblies	4



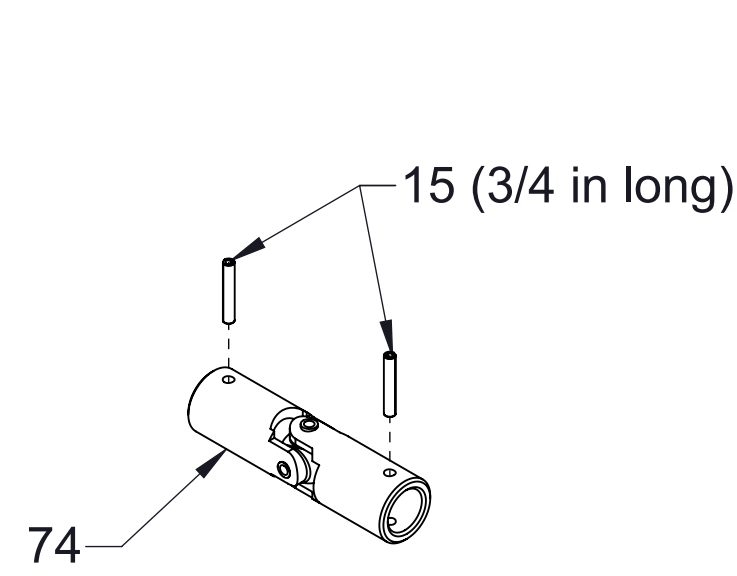


Ref No.	Description
4	Pin-Spring, 3/16 x 1-1/8 in
31	Screw-Hex Hd, 3/8-16 x 5/8 in
32	Washer-Lock, 3/8 in
33	Body-Valve, Discharge
34	Bushing-Stem, Upper
35	O-Ring, 2-1/8 x 2-3/8 in
36	O-Ring, 3/4 x 15/16 in
37	Ball-Discharge Valve
38	O-Ring, 9/16 x 3/4 in
39	Bushing-Lower Stem
40	Plug-Pipe, Headless, 1/4 NPT
41	O-Ring, 3-3/8 x 3-5/8 in
42	Retainer-Seal, 2-1/2 Standard
43	Seal-Valve, Ball
44	Spring-Wave
45	O-Ring, 2-1/2 x 2-3/4 in
46	Screw-Machine, Flat Head Socket, 7/16-14 x 3/4 in
47	Plug-Pipe, Headless, 3/4 NPT
60	Screw-Hex Hd, 7/16-14 x 1 in (See note 1)
61	Screw-Hex Hd, 7/16-20 x 1-1/2 in
62	Flange-Mounting
63	O-Ring, 2-3/4 x 3 in
64	Nut-Hex, 7/16-20 (Used only with 61)
65	Nipple-Pipe, 2-1/2 NPT x 10 in (See note 2)
66	Adapter-Hose, 2-1/2 (See note 2)
67	Nipple-Hose, 2-1/2 Double Male (See note 2)
72	Discharge Valve Repair Kit

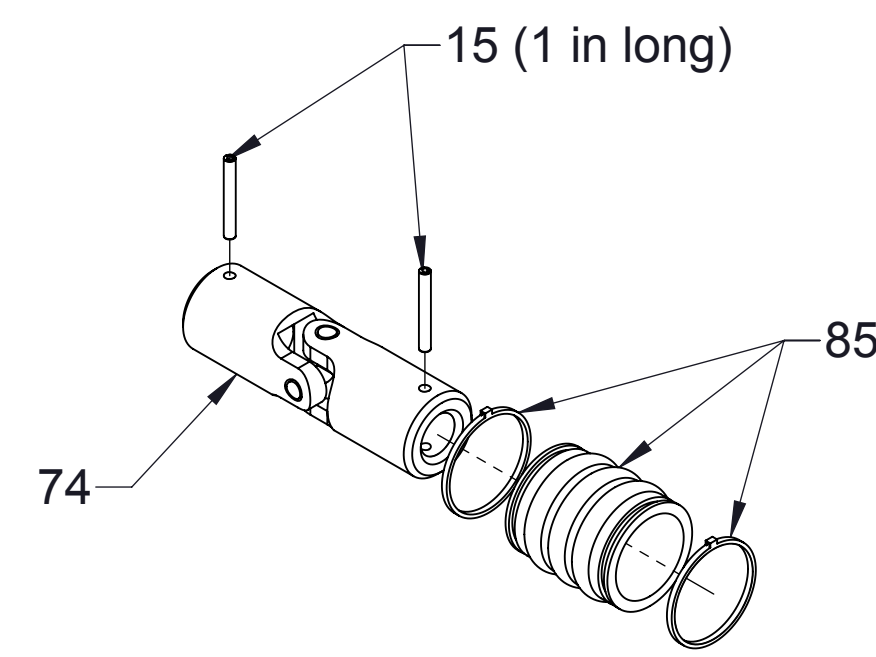
Notes:
 1. Reference number 60, Hex Hd Screw, 7/16-14 x 1 in. used instead of reference number 61, Hex Hd Screw, 7/16-20 x 1-1/2 in. when discharge flange has tapped mounting holes.
 2. Reference number 65, 66, and 67 may have been furnished by either Waterous or original equipment manufacturer.



2-1/2 in Standard Ball Valve



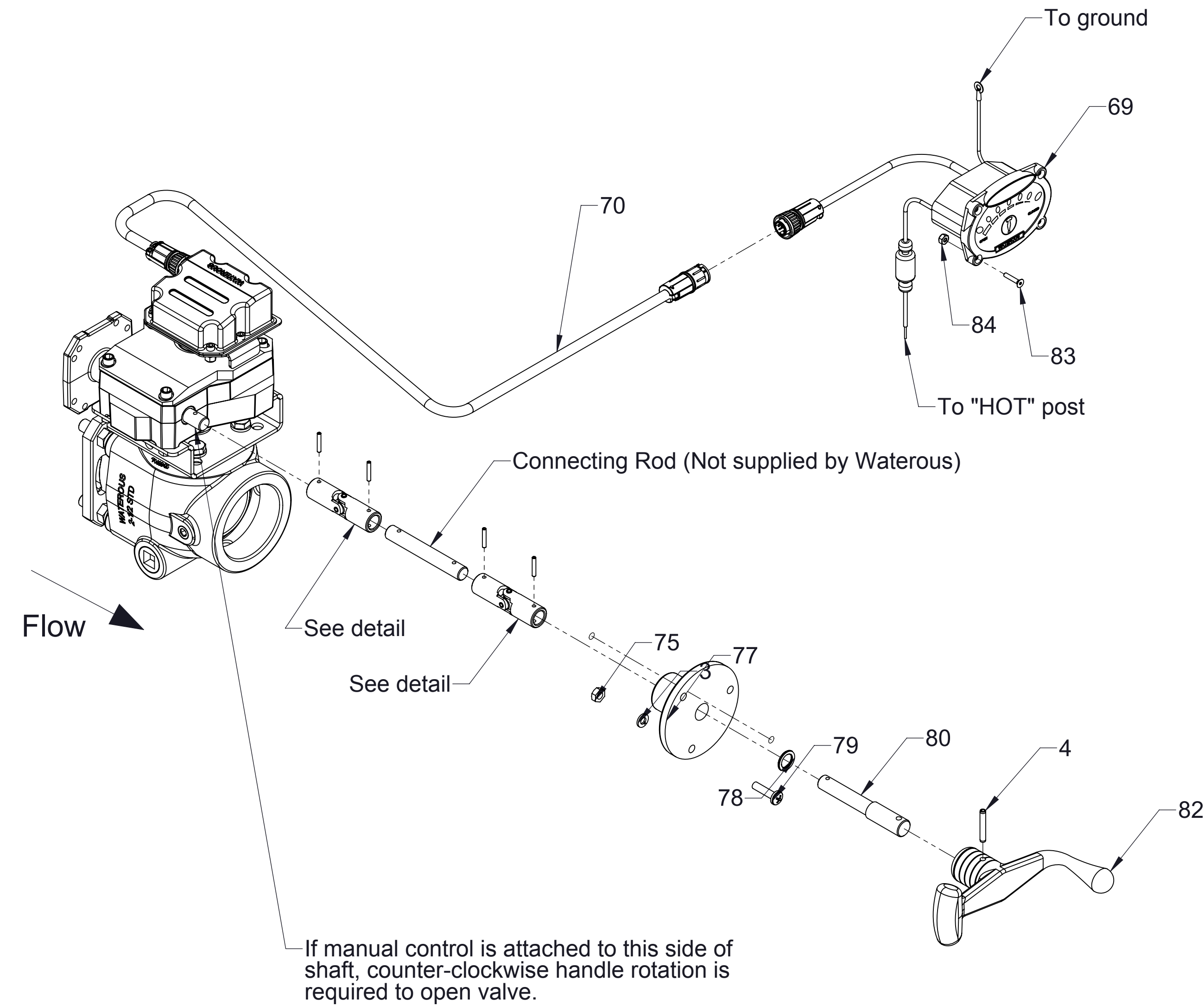
Standard Configuration



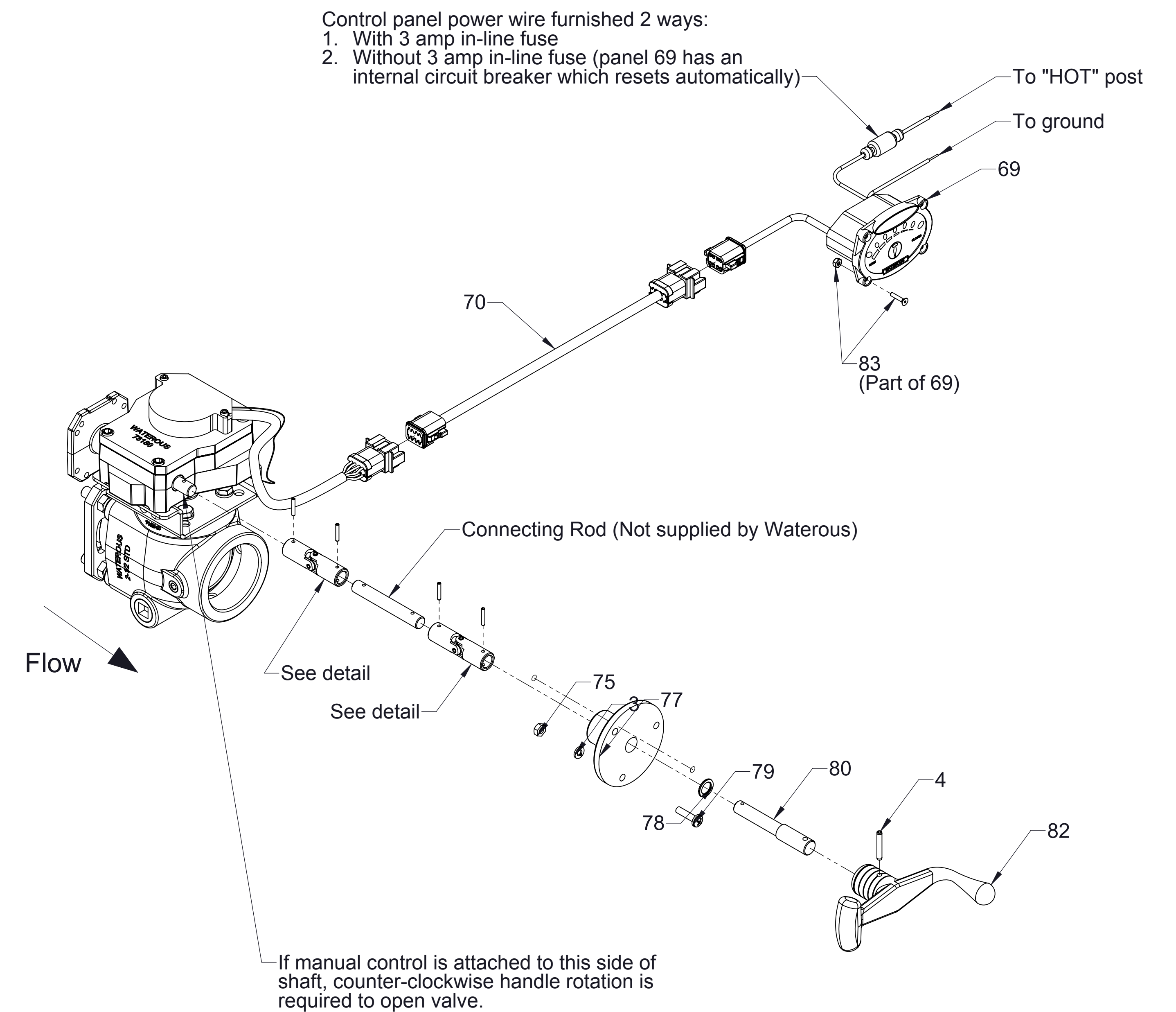
Optional Configuration with Sealing Boot

U-Joint Detail

Ref No.	Description	Ref No.	Description
3	Washer-Lock, 1/4 in	78	Bearing-Thrust
4	Pin-Spring, 3/16 x 1 1/4 in	79	Screw-Machine, Pan Hd, 1/4-20 x 1 in
15	Pin-Spirol, 1/8 x 3/4 in or 1/8 x 1 in	80	Shaft-Remote
69	LED Panel Wiring Assembly	82	Handle-Discharge Valve
70	Wire Assembly-Switch Extension	83	Screw-Machine, Flat Hd, Hex Soc, #6-32 x 3/4 in (Prior to November 6, 2006)
74	Joint-Universal	83	Control Panel Mounting Hardware (Includes (4) Socket Hd Screws, #6-32 x 3/4 in and (4) Nylok Nuts, #6-32) (After November 6, 2006)
75	Nut-Hex, Machine, 1/4-20	84	Nut-Hex, Nylok, #6-32 (Prior to November 6, 2006)
77	Body-Remote	85	U-Joint Boot (Includes cable ties)



Valves built prior to November 6, 2006



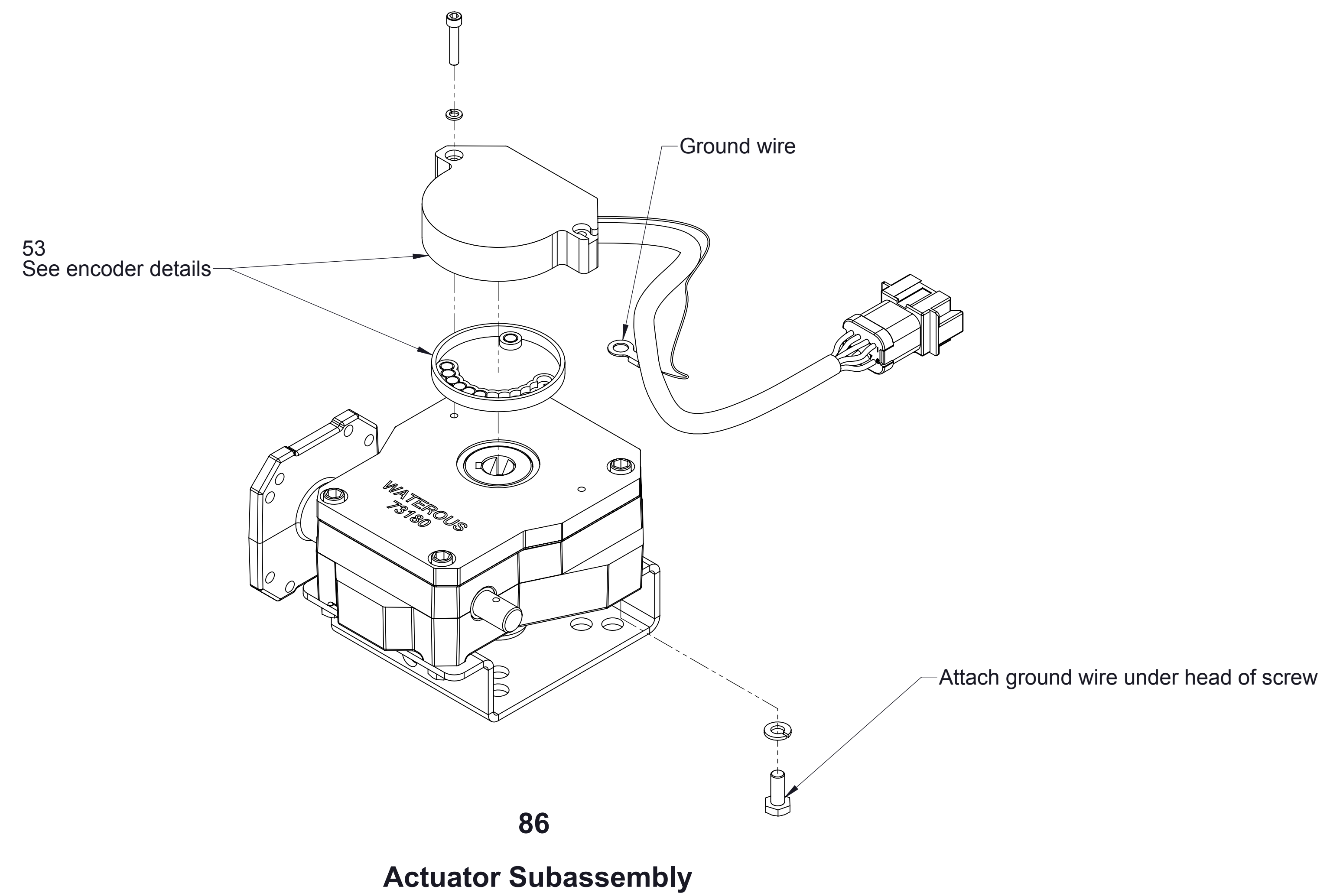
Valves built After November 6, 2006

Cables and Panel Components

Control panel power wire furnished 2 ways:

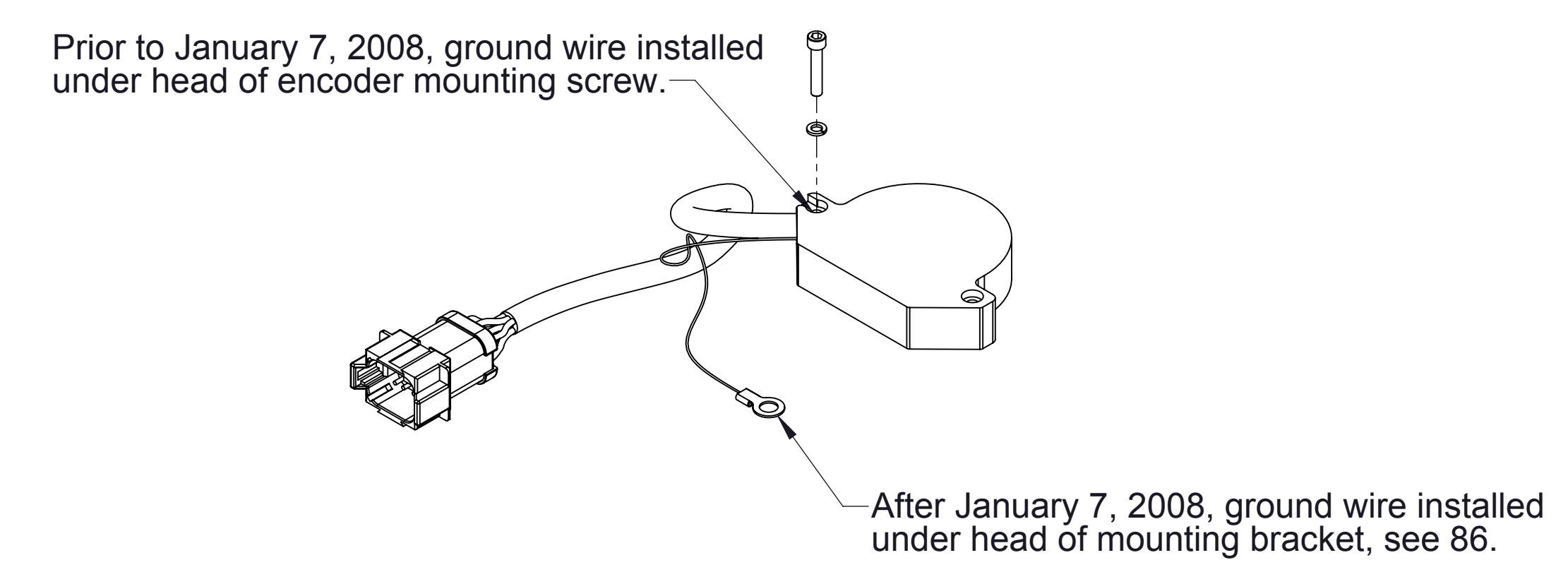
1. With 3 amp in-line fuse
2. Without 3 amp in-line fuse (panel 69 has an internal circuit breaker which resets automatically)

Ref No.	Description
53	Rotary Encoder replacement Kit
86	Actuator Subassembly
87	Valve and Actuator Subassembly

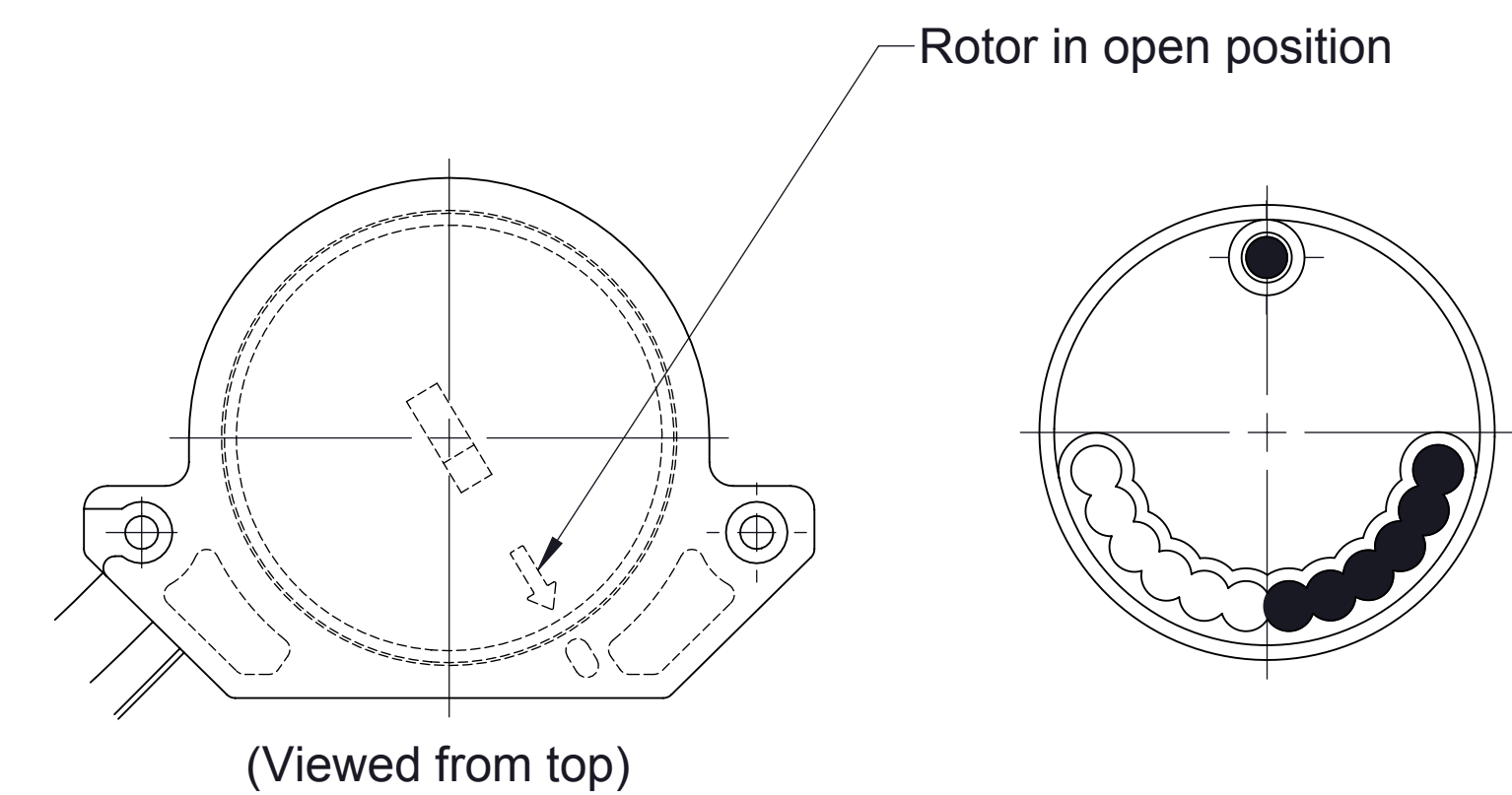


53
Rotary Encoder
Replacement Kit

Encoder Details

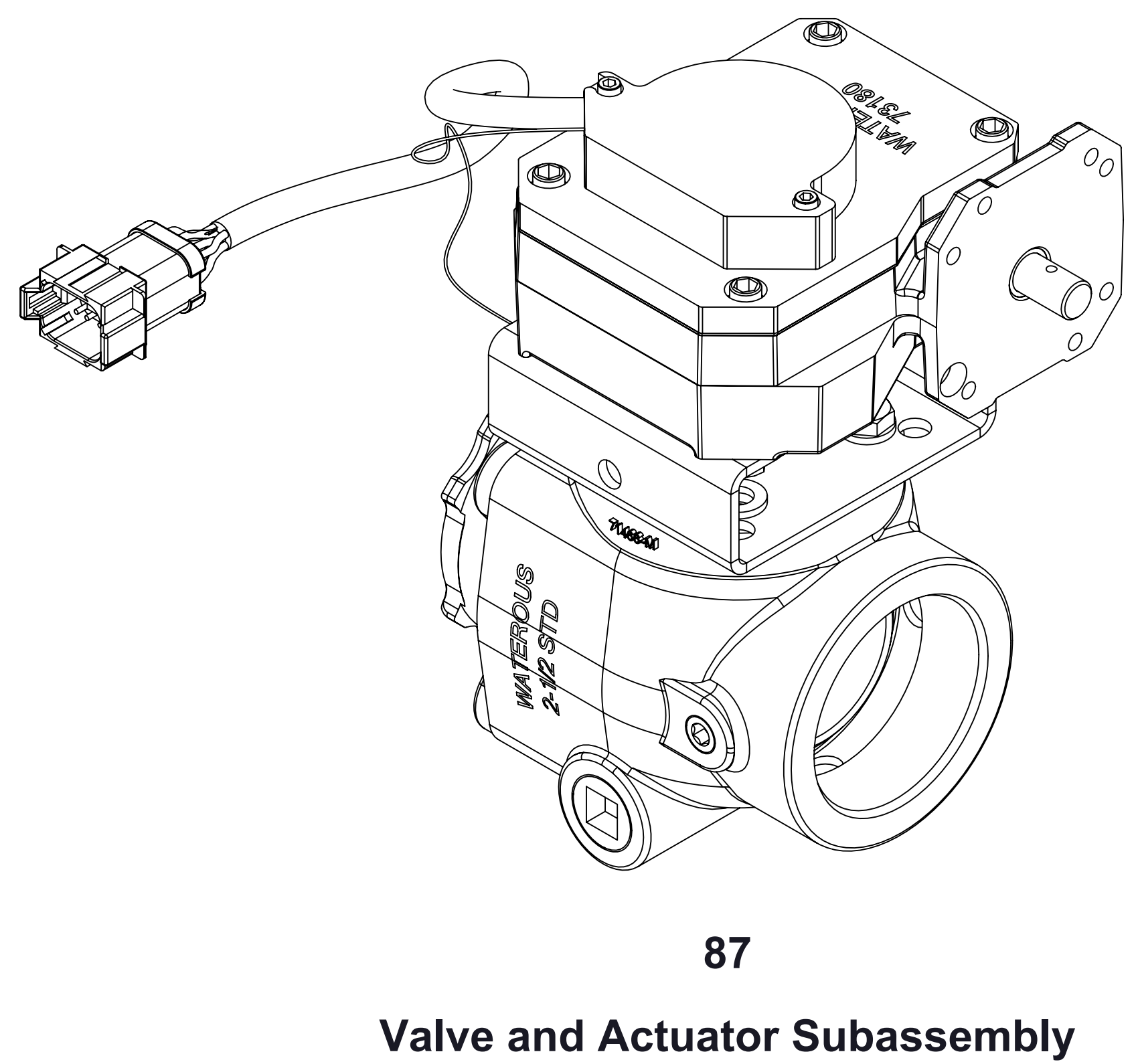


Encoder Ground Wire Detail



Rotor Position

Rotor Magnet Positions



Available Repair Subassemblies