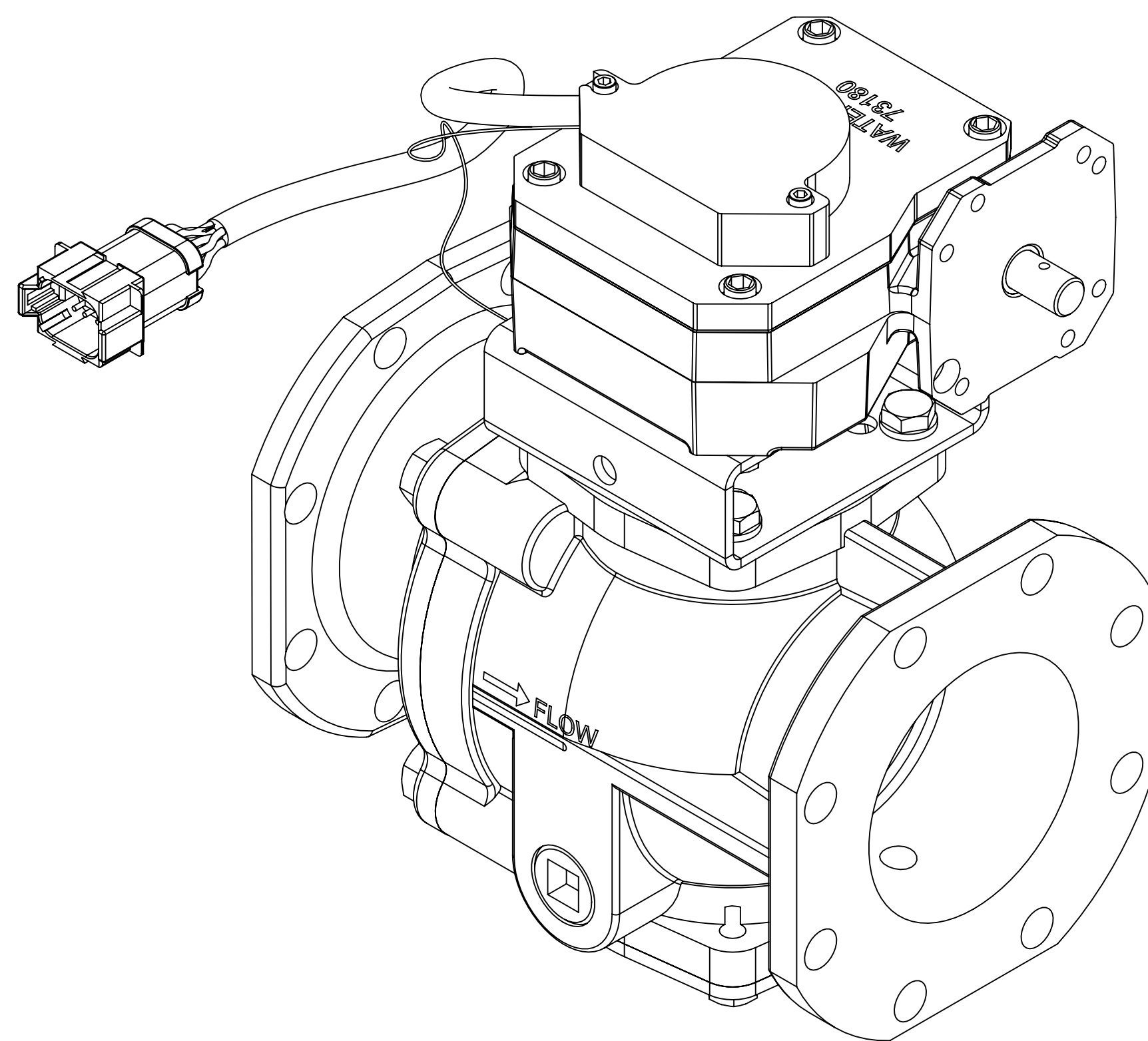
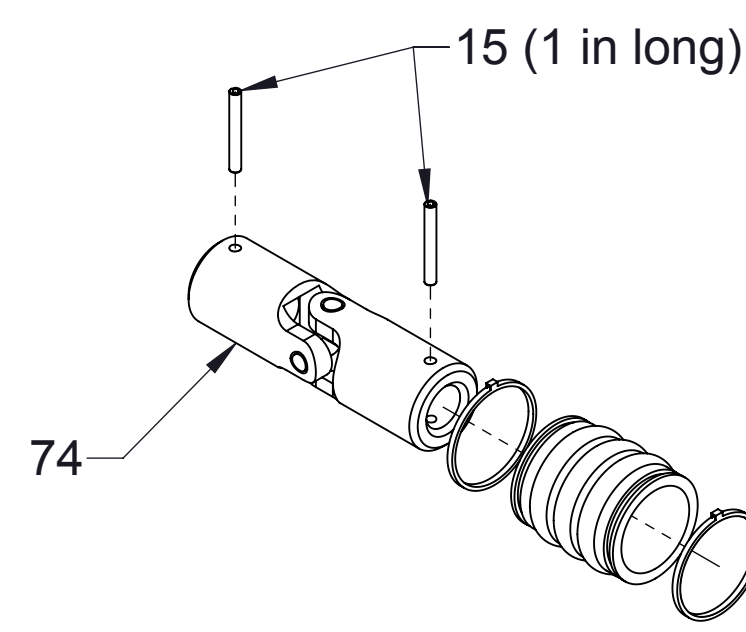
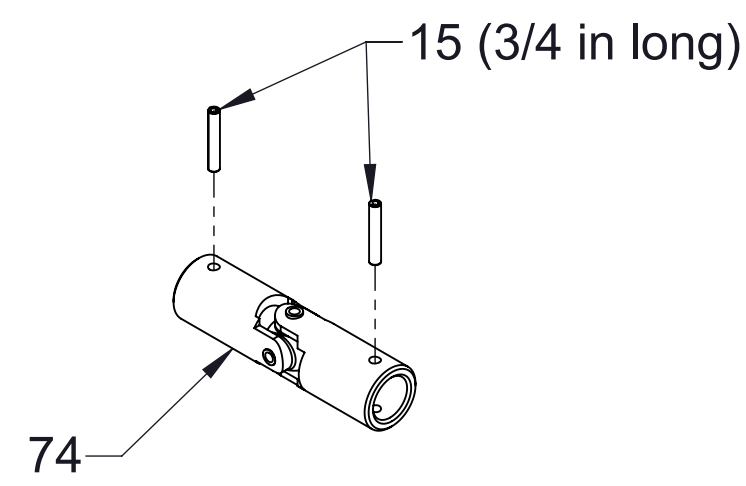


3-1/2 in. Standard Discharge Valve Assembly with Manual Rotary Actuator

Service Parts List

Components	See Page
3-1/2 in. Standard Ball Valve	2
Cables and Panel Components	3
Available Repair Subassemblies	4



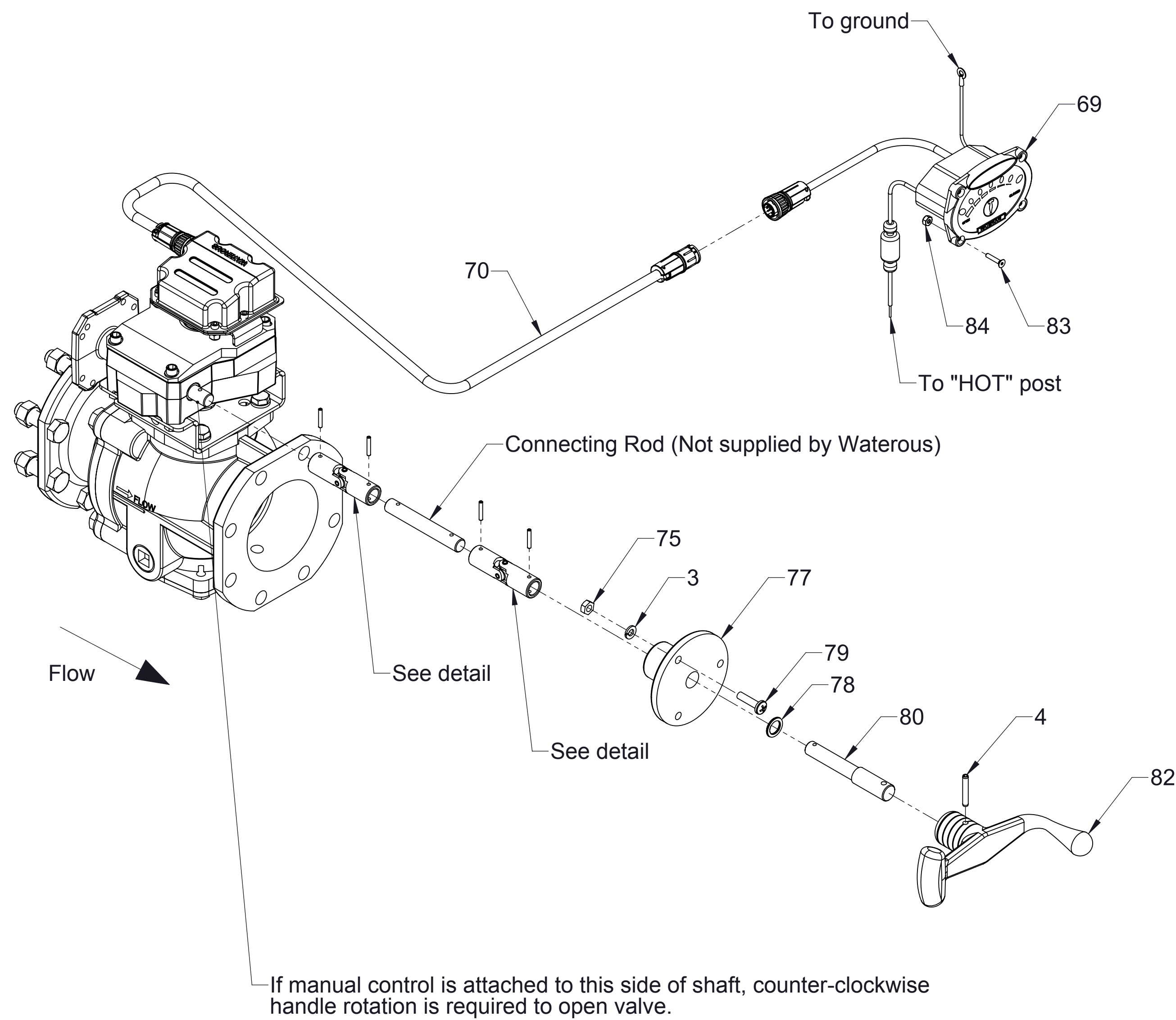


Standard Configuration

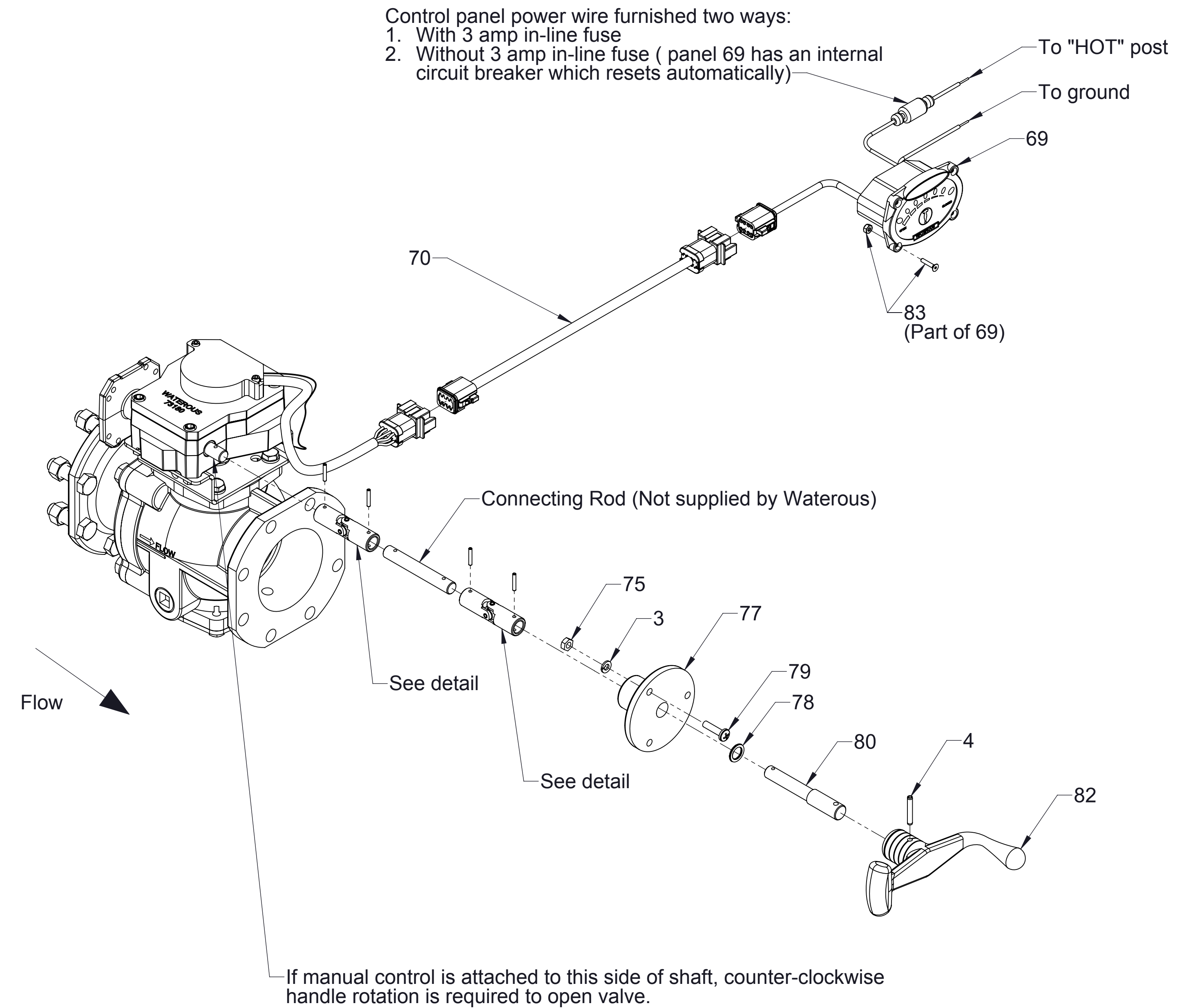
Optional Configuration with Sealing boot

U-Joint detail

Ref No.	Description	Ref No.	Description
3	Washer-Lock, 1/4 in	78	Bearing-Thrust
4	Pin-Spring, 3/16 x 1 1/4 in	79	Screw-Machine, Pan Hd, 1/4-20 x 1 in
15	Pin-Spirol, 1/8 x 3/4 in or 1/8 x 1 in	80	Shaft-Remote
69	LED Panel Wiring Assembly	82	Handle-Discharge Valve
70	Wire Assembly-Switch Extension	83	Screw-Machine, Flat Hd, Hex Soc, #6-32 x 3/4 in (Prior to November 6, 2006)
74	Joint-Universal	83	Control Panel Mounting Hardware (Includes (4) Socket Hd Screws, #6-32 x 3/4 and (4) Nylok Nuts, #6-32) (After November 6, 2006)
75	Nut-Hex, Machine, 1/4-20	84	Nut-Hex, Nylok, #6-32 (Prior to November 6, 2006)
77	Body-Remote	85	U-Joint boot (Includes cable ties)



Valves built prior to November 6, 2006

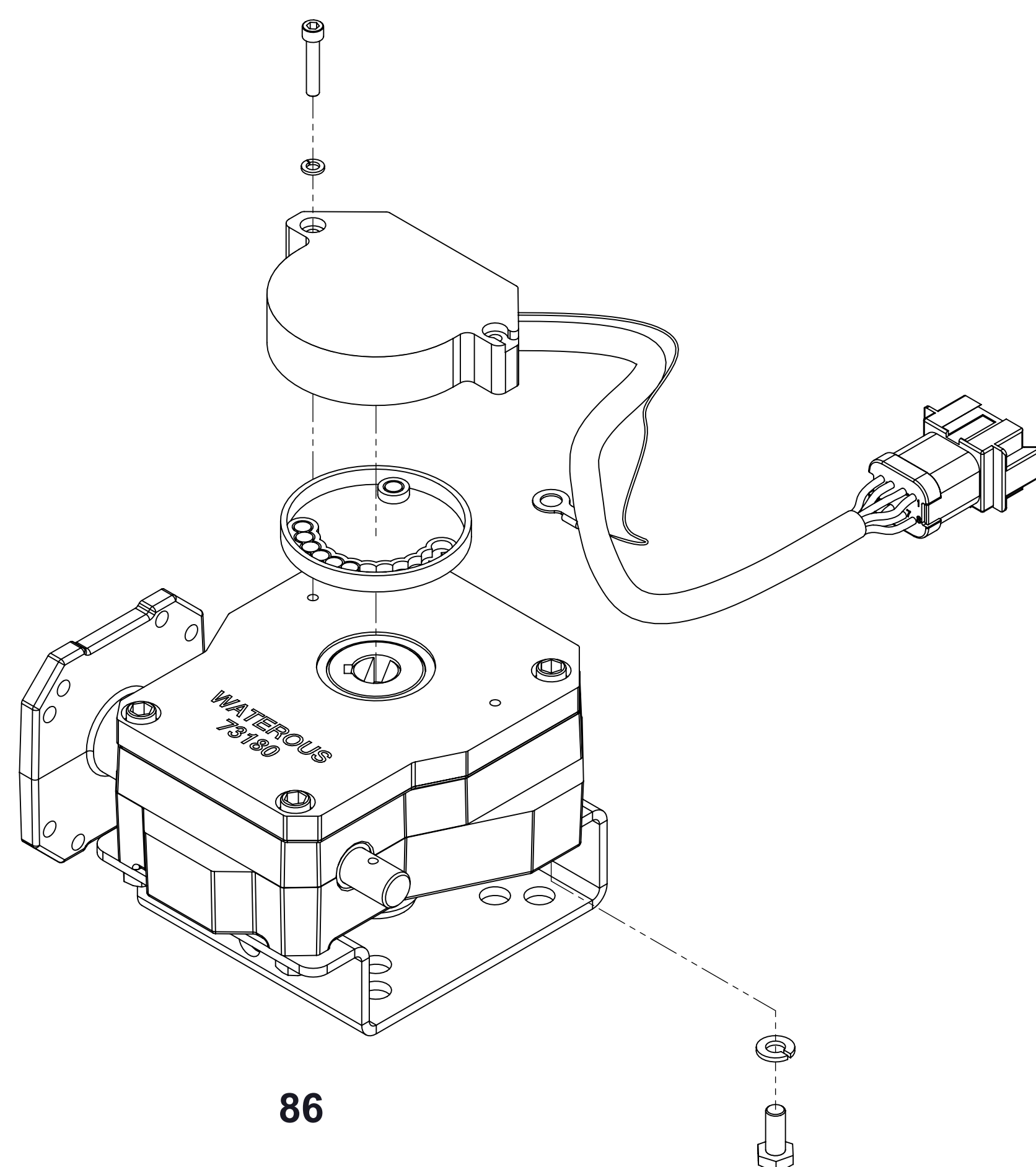


Valves built after November 6, 2006

Control panel power wire furnished two ways:
 1. With 3 amp in-line fuse
 2. Without 3 amp in-line fuse (panel 69 has an internal circuit breaker which resets automatically)

Cables and Panel Components

Ref No.	Description
53	Rotary Encoder Replacement kit
86	Actuator Subassembly
87	Valve and Actuator Subassembly

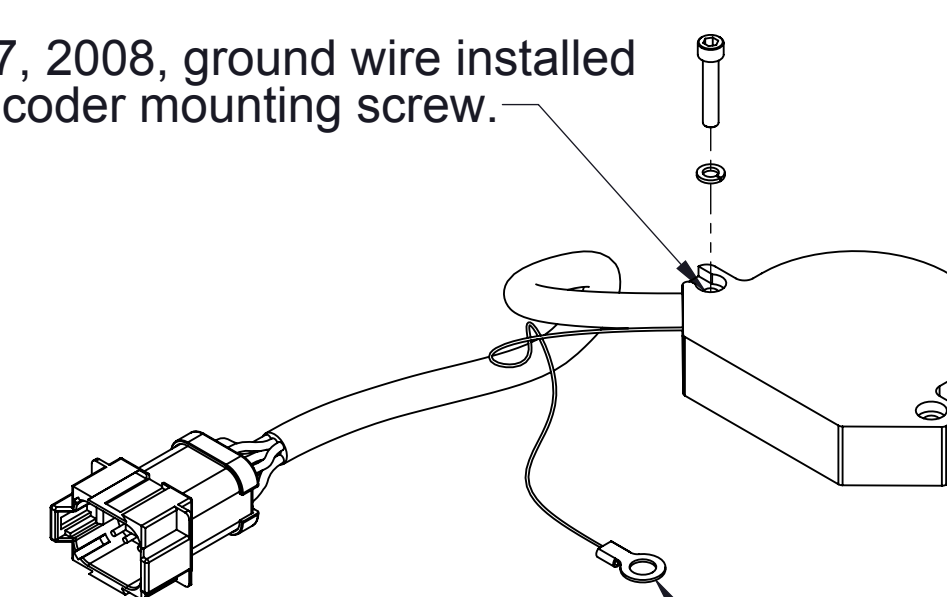


86
Actuator Subassembly

53
Rotary Encoder
Replacement Kit

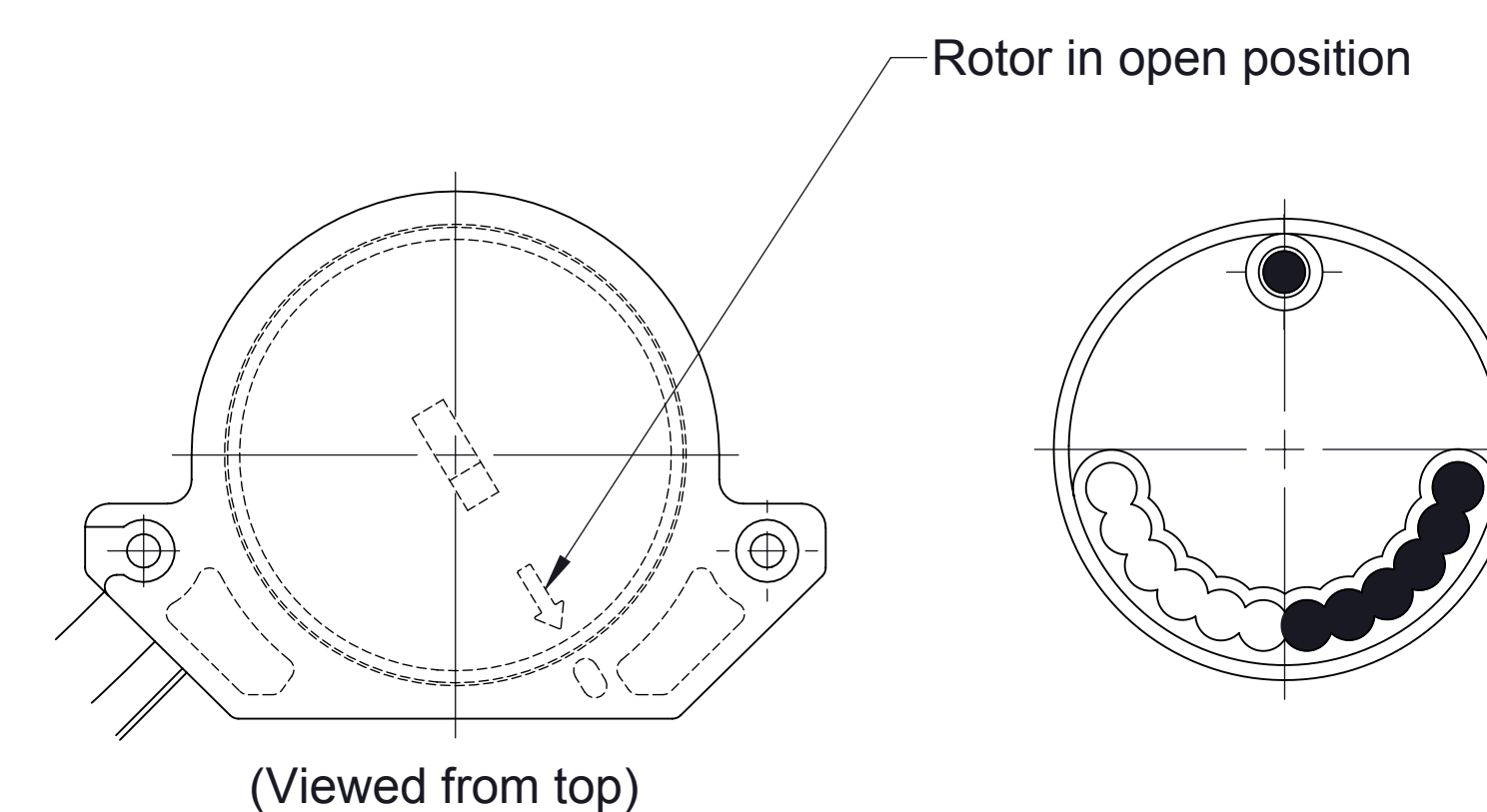
Encoder Details

Prior to January 7, 2008, ground wire installed under head of encoder mounting screw.



After January 7, 2008, ground wire installed under head of mounting bracket, see 120.

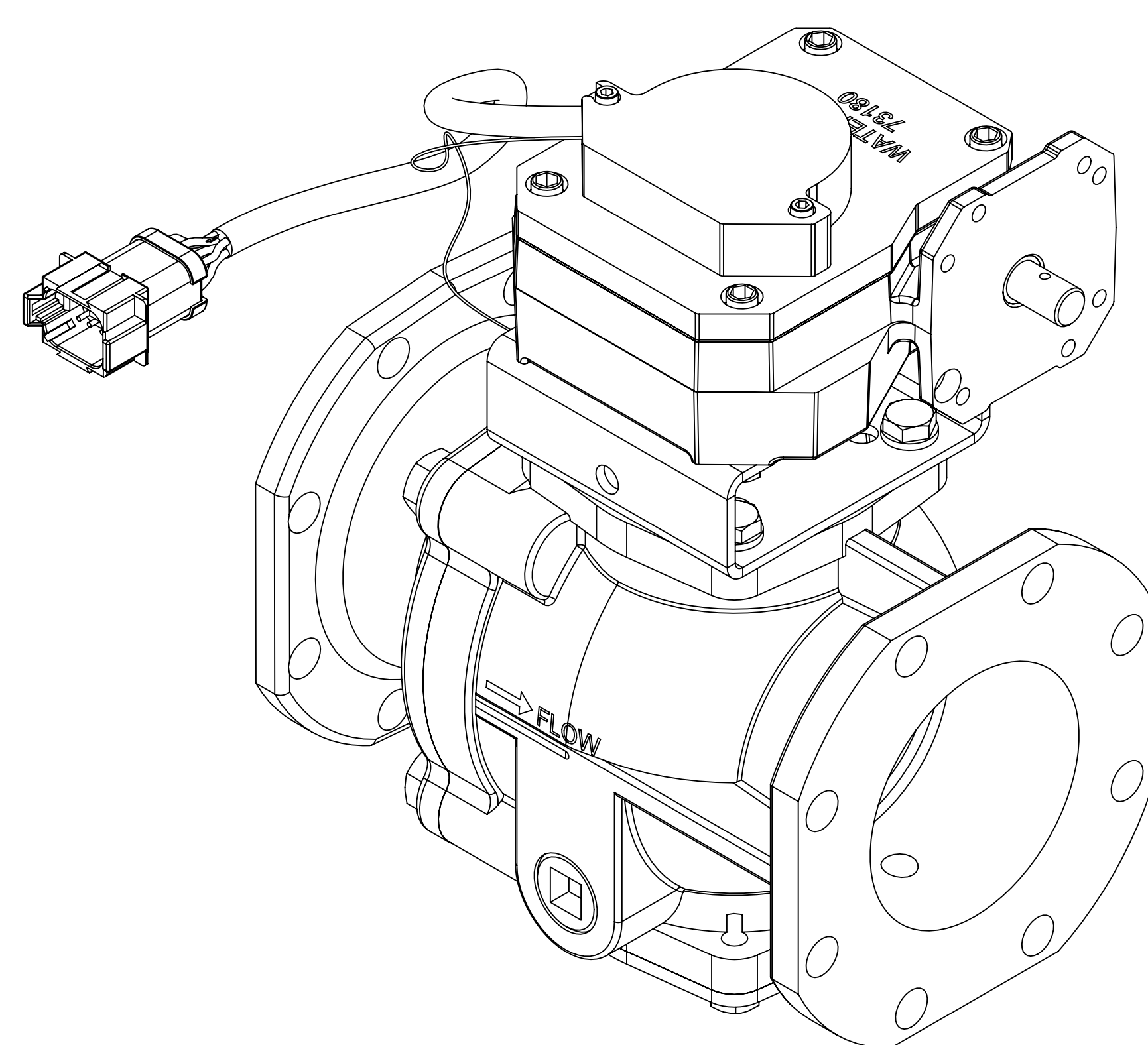
Encoder Ground Wire Detail



(Viewed from top)

Rotor Position

Rotor Magnet Positions



87
Valve and Actuator Subassembly

Available Repair Subassemblies