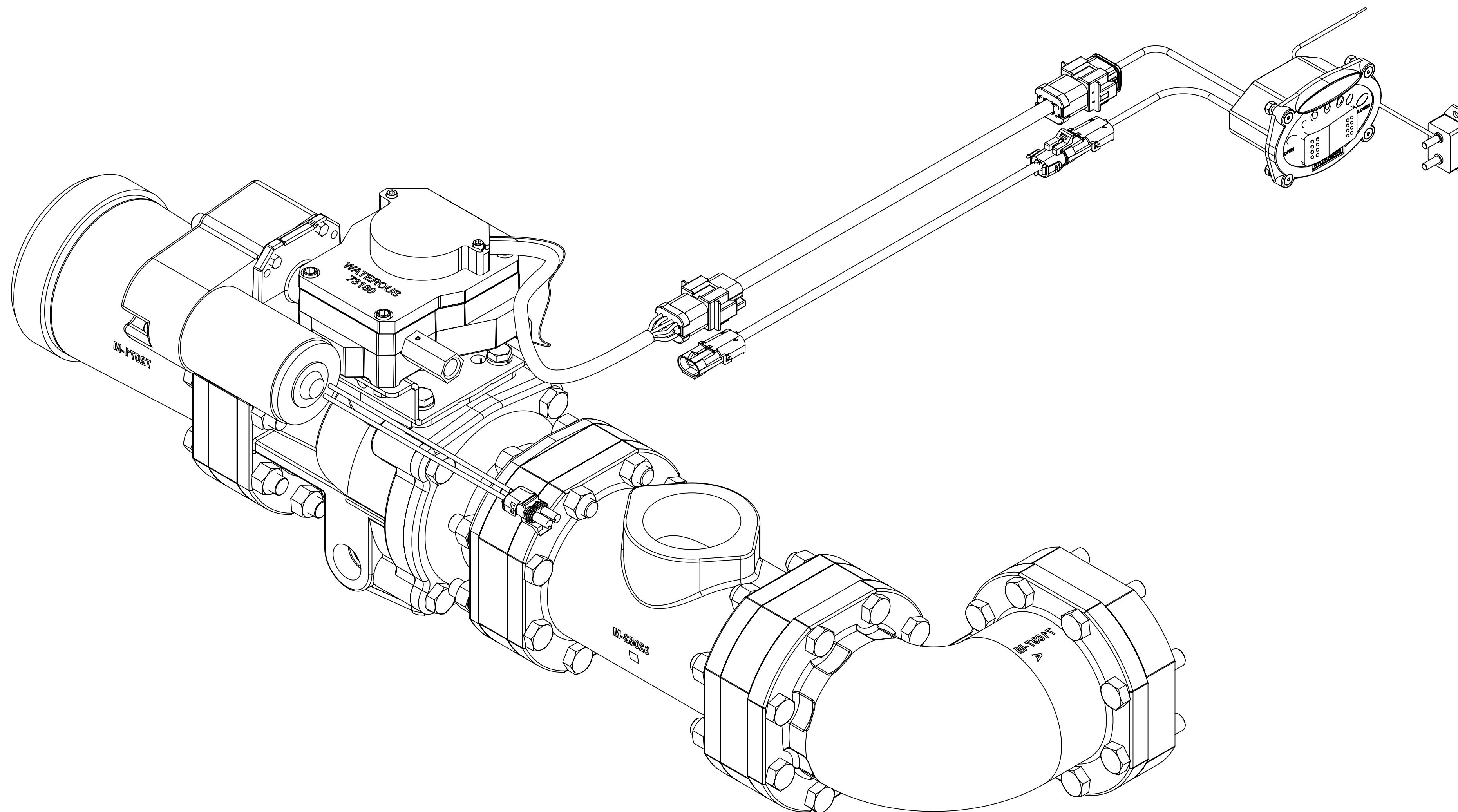


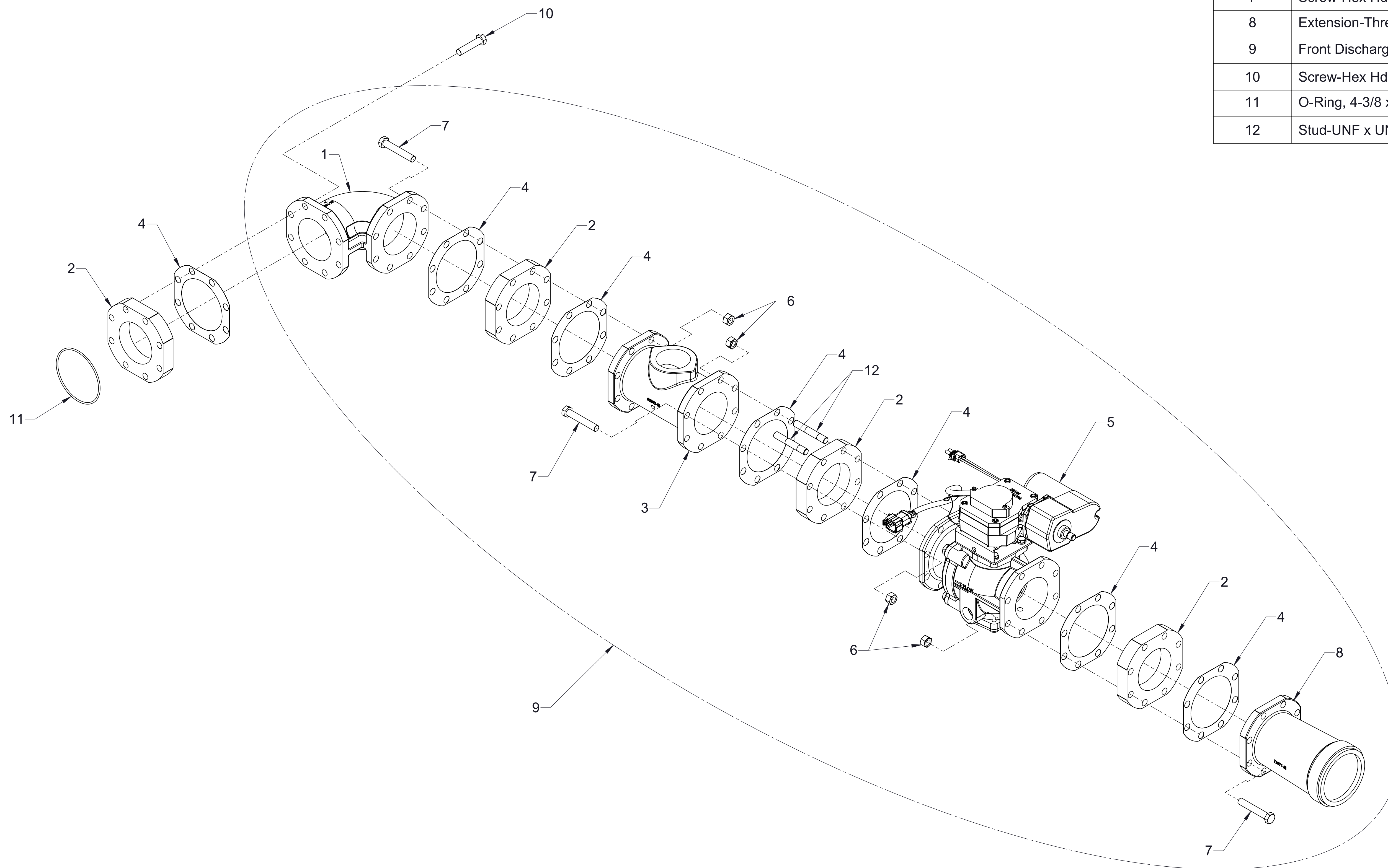
Front Discharge Piping Assembly Service Parts List

For pump models: CM and CS

Components	See Page
Front Discharge Piping	2
Cables and Panel Components	3

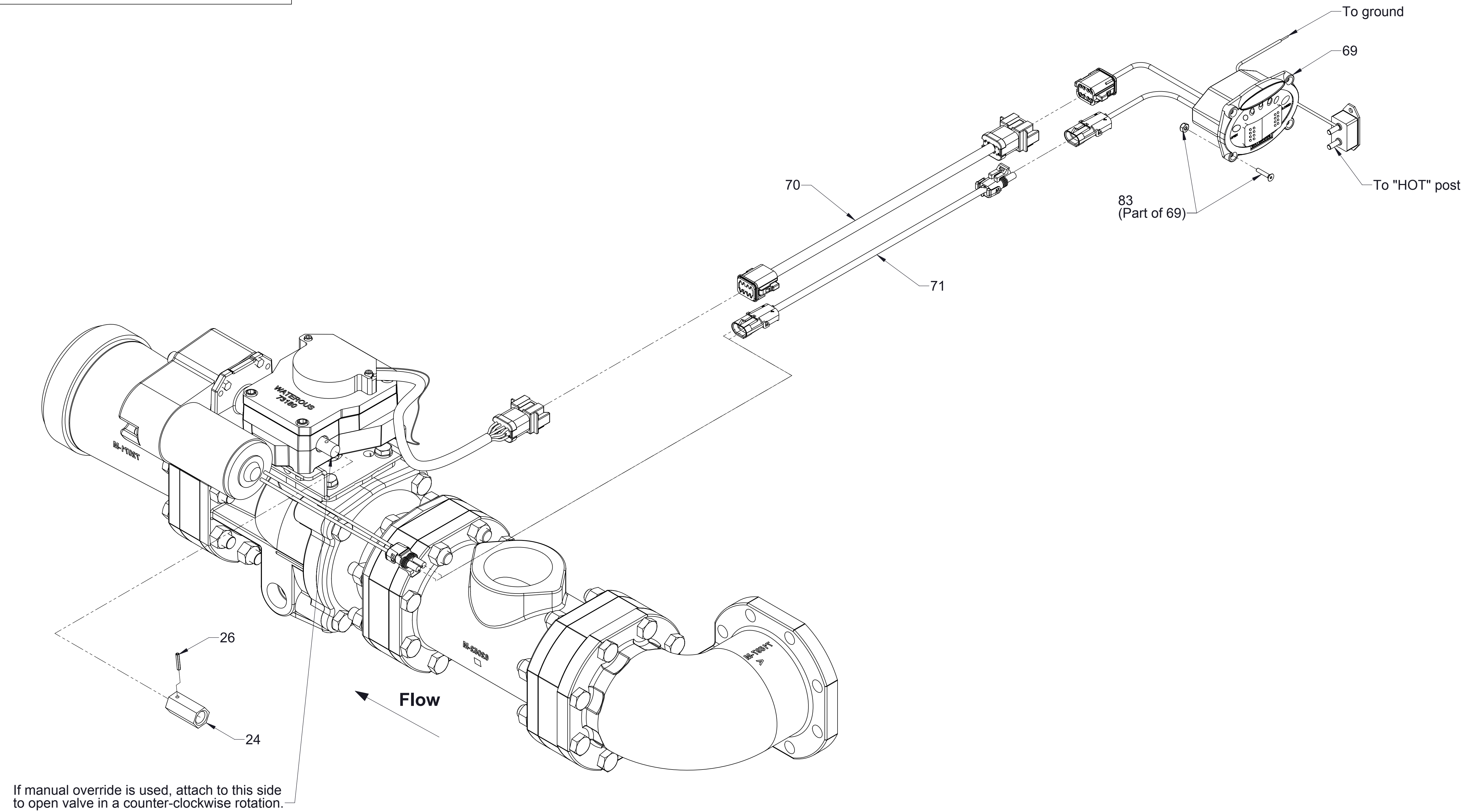


Ref No.	Description
1	Elbow-Flanged
2	Spacer
3	Extension-Discharge (CM/CS)
4	Gasket-Flange, 3-1/2, 8-Bolt
5	Discharge Valve Subassembly
6	Nut-Hex, 1/2-20
7	Screw-Hex Hd, 1/2-20 x 3 in
8	Extension-Threaded, Discharge, 4 in
9	Front Discharge Piping Subassembly
10	Screw-Hex Hd, 1/2-13 x 2-1/4 in
11	O-Ring, 4-3/8 x 4-5/8 in
12	Stud-UNF x UNF, 1/2 x 3-1/4 in



Front Discharge Piping

Ref No.	Description
24	Nut-Adapter
26	Pin-Spirol, 1/8 x 3/4 in
69	LED Panel Wiring assembly
70	Cable-Extension, Encoder
71	Wire-Motor Extension
83	Control Panel Mounting Hardware (Includes (4) Socket Hd Screws, #6-32 x 3/4 and (4) Nylock Nuts, #6-32)



Cables and Panel Components