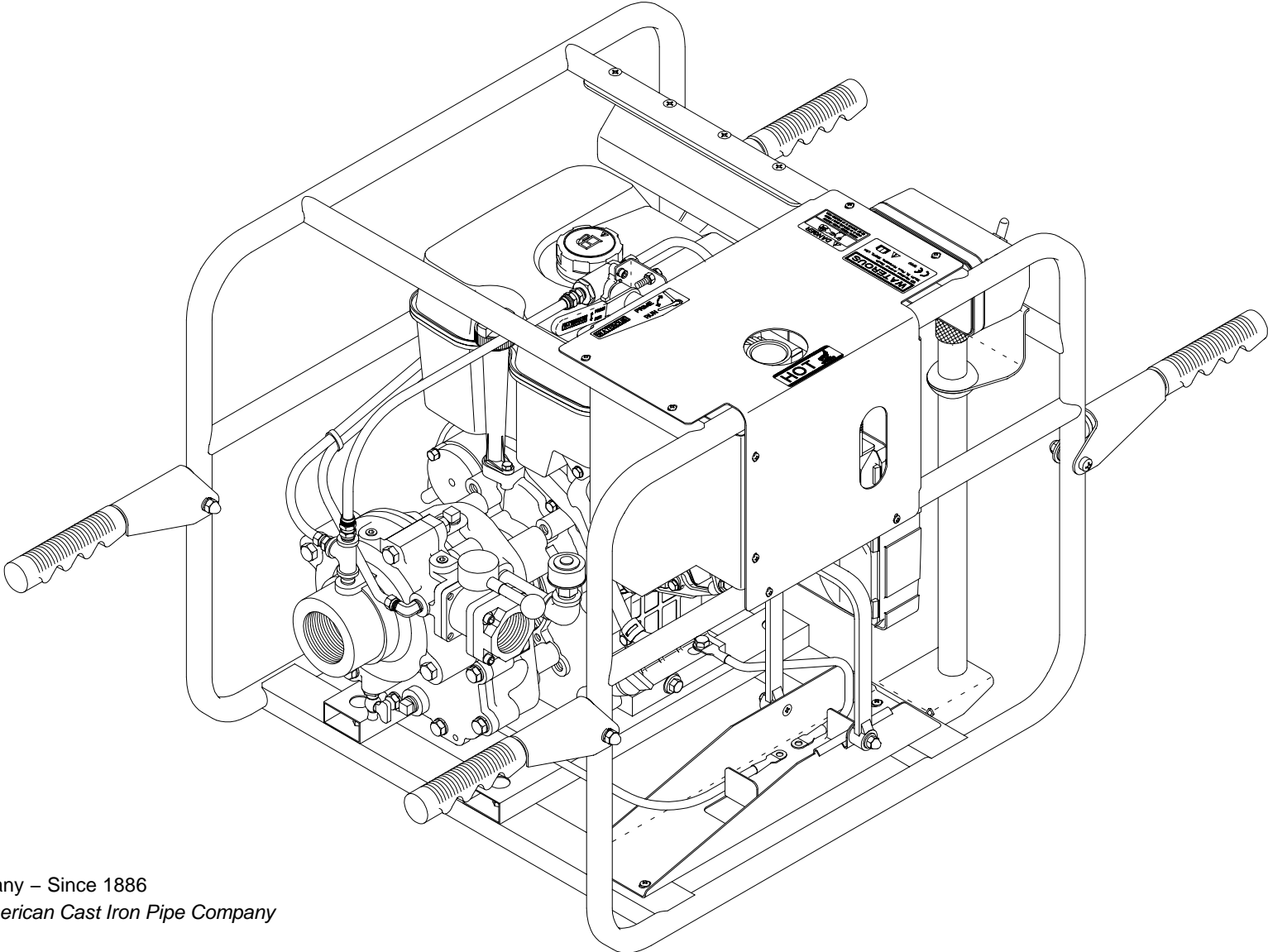




Document Number	Issue Date	Rev. Date
<b>SPL82645</b>	<b>12/05/02</b>	
<b>Model G2015B, G2015F</b>		

# PB13-G Series Fire Pump Service Parts List





# Table of Contents

Model PB13-G2515B and PB13-G2515F ..... 2 – 5

Priming System and Rail Base ..... 6 – 7

Instrument Panel ..... 8 – 9

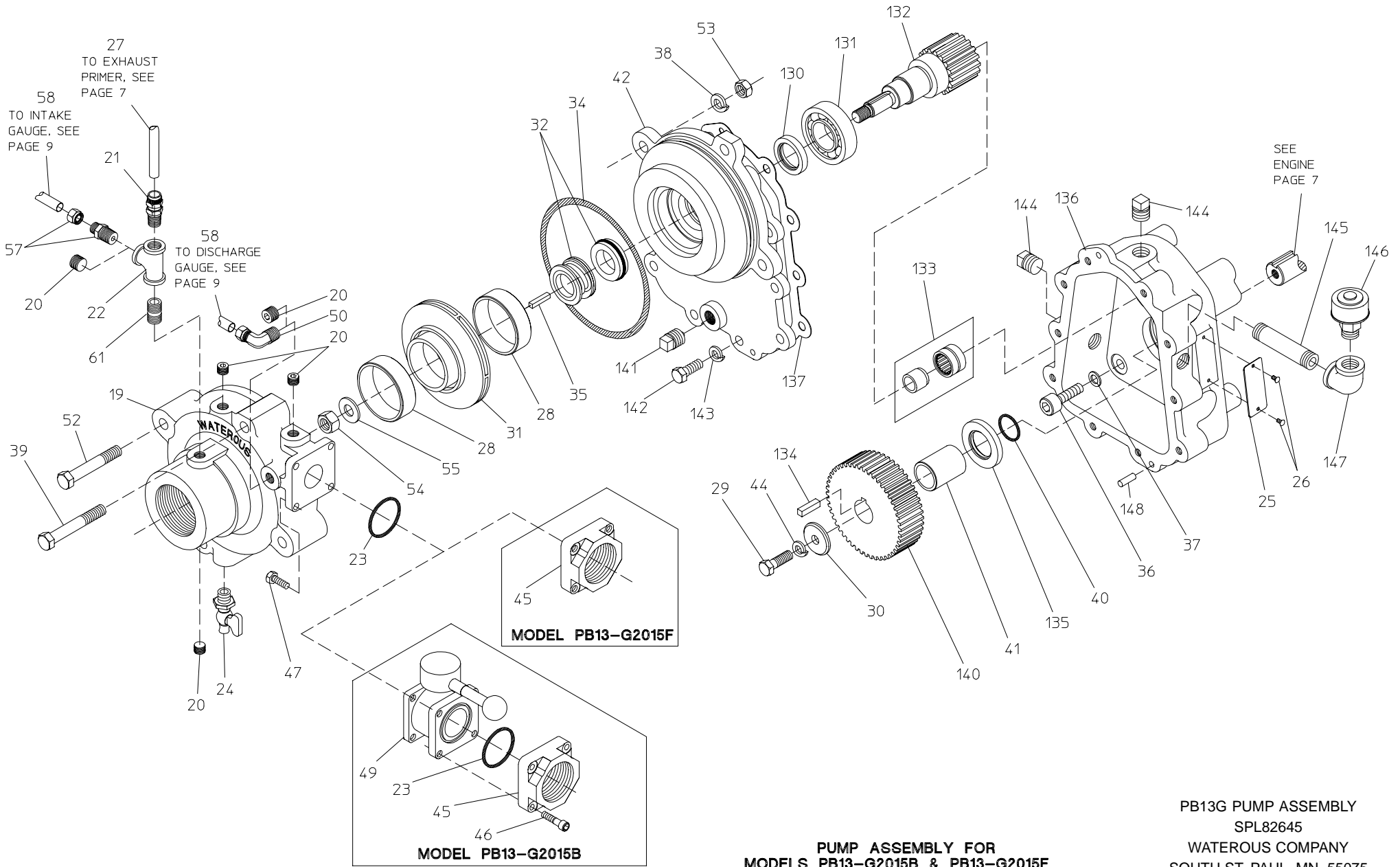
Optional Wrap-Around Base and Optional Mast Light ..... 10 – 11

Wiring Schematic ..... 12 – 13

## Model PB13-G2015B & PB13-G2015F Pumps

REF. NO.	DESCRIPTION	QTY
19	Volute Body (Includes 28, Wear Ring)	1
20	Pipe Plug, 1/4 in. NPT	3 or 5
21	Tube Connector, 1/4 in. NPT x 3/8 O.D. Tube	1
22	Pipe Tee, 1/4 in. NPT	1
23	O-Ring, 2-1/84 x 1-15/16 in.	1 or 2
24	Drain Cock, 1/4 in. NPT	1
25	Serial Plate	1
26	Drive Screw, #6 x 1/4 in.	4
27	Poly Tubing, 3/8 O.D.	1
28	Wear Ring	2
29	Socket hd Screw, 7/16 - 20 x 1 in.	1
30	Impeller Washer	1
31	Impeller	1
32	Mechanical Seal	1
34	O-Ring, 5-3/4 x 6 in.	1
35	Square Key, 3/16 x 1 in.	1
36	Socket Hd Screw, 3/8-16 x 2-1/4 in.	4
37	Copper Washer, 3/8 in.	4
38	Lock Washer, 7/16 in.	4
39	Hex Hd Screw, 7/16-20 x 3 in.	1
40	O-Ring, 1 x 1-1/8 in.	1
41	Shaft Sleeve	1
42	Gear Case Cover (Includes 28, Wear Ring)	1
44	Lock Washer, 7/16 in.	1
45	Discharge Adapter, 1-1/2 (F) NPT	1
46	Hex Hd Screw, 1/4-20 x 1 in.	4
47	Hex Hd Screw, 1/4-20 x 3/4 in.	4
49	Ball Valve	1

REF. NO.	DESCRIPTION	QTY
50	90° Male Elbow, 1/4 in. NPT x 1/4 O.D. Tube	1
52	Hex Hd Screw, 7/16-20 x 2-3/4 in.	3
53	Hex Nut, 7/16-20	4
54	Impeller Nut	1
55	Flat Washer, 1/2 in.	1
56	Oil Level Plate	1
57	Male Connector, 1/4 in. NPT x 1/4 O.D. Tube	1
58	Nylon Tubing, 1/4 O.D.	2
61	Pipe Nipple, 1/4 x 7/8 in.	1
130	Oil Seal	1
131	Ball Bearing	1
132	Shaft / Driven Gear, 19 Tooth	1
133	Needle / Thrust Bearing	1
134	Square Key, 1/4 x 1-1/8 in.	1
135	Oil Seal	1
136	Gear Case (Includes 25, 26 & 133)	1
137	Gear Case Gasket	1
140	Drive Gear	1
141	Magnetic Plug	1
142	Hex Hd Screw, 3/8-16 x 1 in.	10
143	Lock Washer, 3/8 in.	10
144	Pipe Plug, 3/8 NPT	2
145	Pipe Nipple, 3/8 x 3 in.	1
146	Breather	1
147	Elbow, 3/8 NPT	1
148	Dowel Pin, 5/16 x 3/4 in.	2



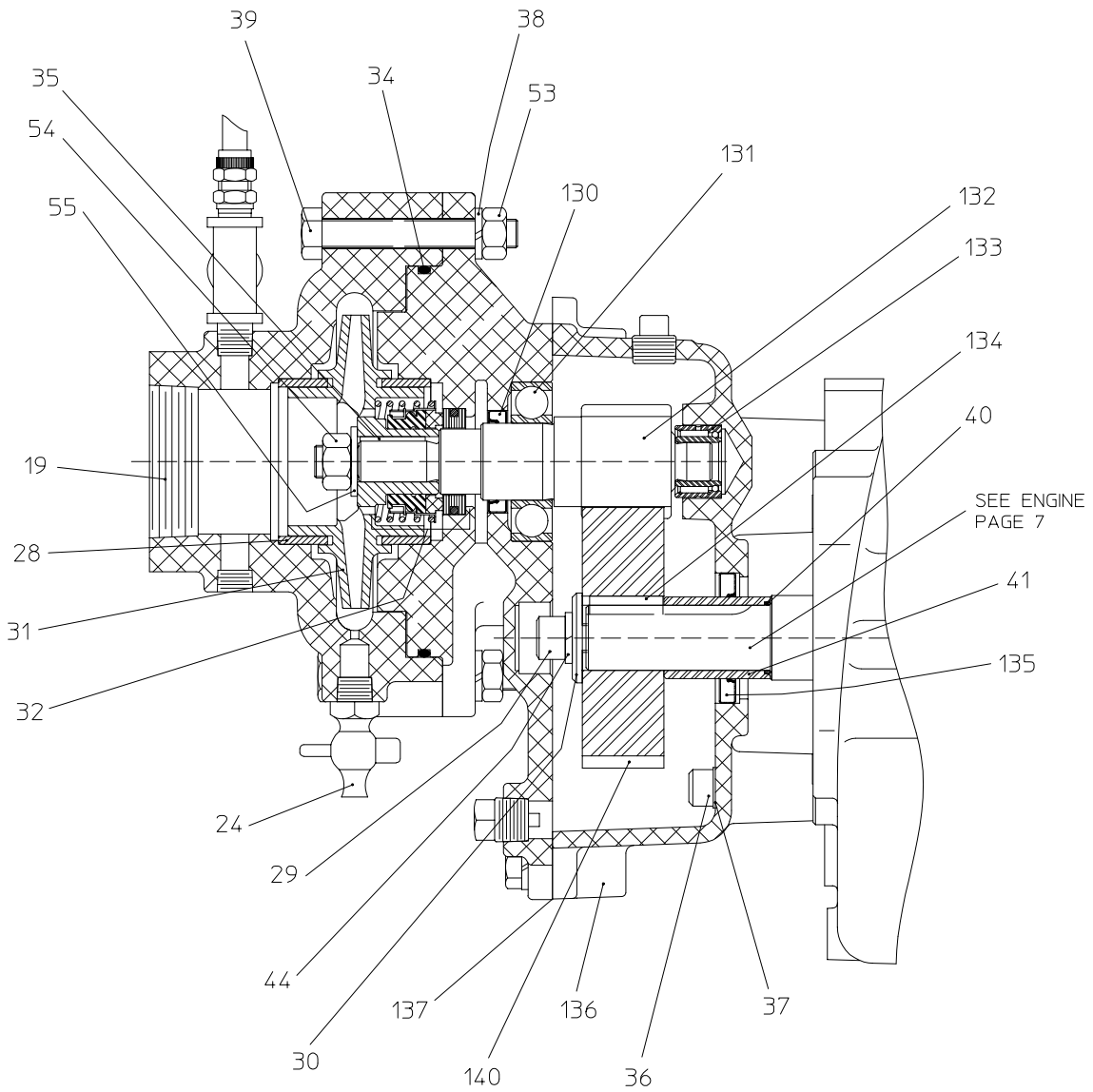
**PUMP ASSEMBLY FOR  
 MODELS PB13-G2015B & PB13-G2015F**  
 SEE PAGE 5 FOR CROSS SECTION VIEW

PB13G PUMP ASSEMBLY  
 SPL82645  
 WATEROUS COMPANY  
 SOUTH ST. PAUL, MN 55075  
 PAGE 3 OF 13

## Model PB13–G2015B & PB13–G2015F Pumps

REF. NO.	DESCRIPTION	QTY
19	Volute Body (Includes 28, Wear Ring)	1
24	Drain Cock, 1/4 in. NPT	1
28	Wear Ring	2
29	Socket Hd Screw, 7/16–20 x 1 in.	1
30	Impeller Washer	1
31	Impeller	1
32	Mechanical Seal	1
34	O–Ring, 5–3/4 x 6 in.	1
35	Square Key, 3/16 x 1 in.	1
36	Socket Hd Screw, 3/8–16 x 2–1/4 in.	4
37	Copper Washer, 3/8 in.	4
38	Lock Washer, 7/16 in.	4
39	Hex Hd Screw, 7/16–20 x 3 in.	1
40	O–Ring, 1 x 1–1/8 in.	1

REF. NO.	DESCRIPTION	QTY
41	Shaft Sleeve	1
44	Lock Washer, 7/16 in.	1
53	Hex Nut, 7/16–20	1
54	Impeller Nut	1
55	Flat Washer, 1/2 in.	1
130	Oil Seal	1
131	Ball Bearing	1
132	Shaft / Driven Gear, 19 Tooth	1
133	Needle / Thrust Bearing	1
134	Square Key, 1/4 x 1–1/8 in.	1
135	Oil Seal	1
136	Gear Case (Includes 25, 26 & 133)	1
137	Gear Case Gasket	1
140	Drive Gear	1



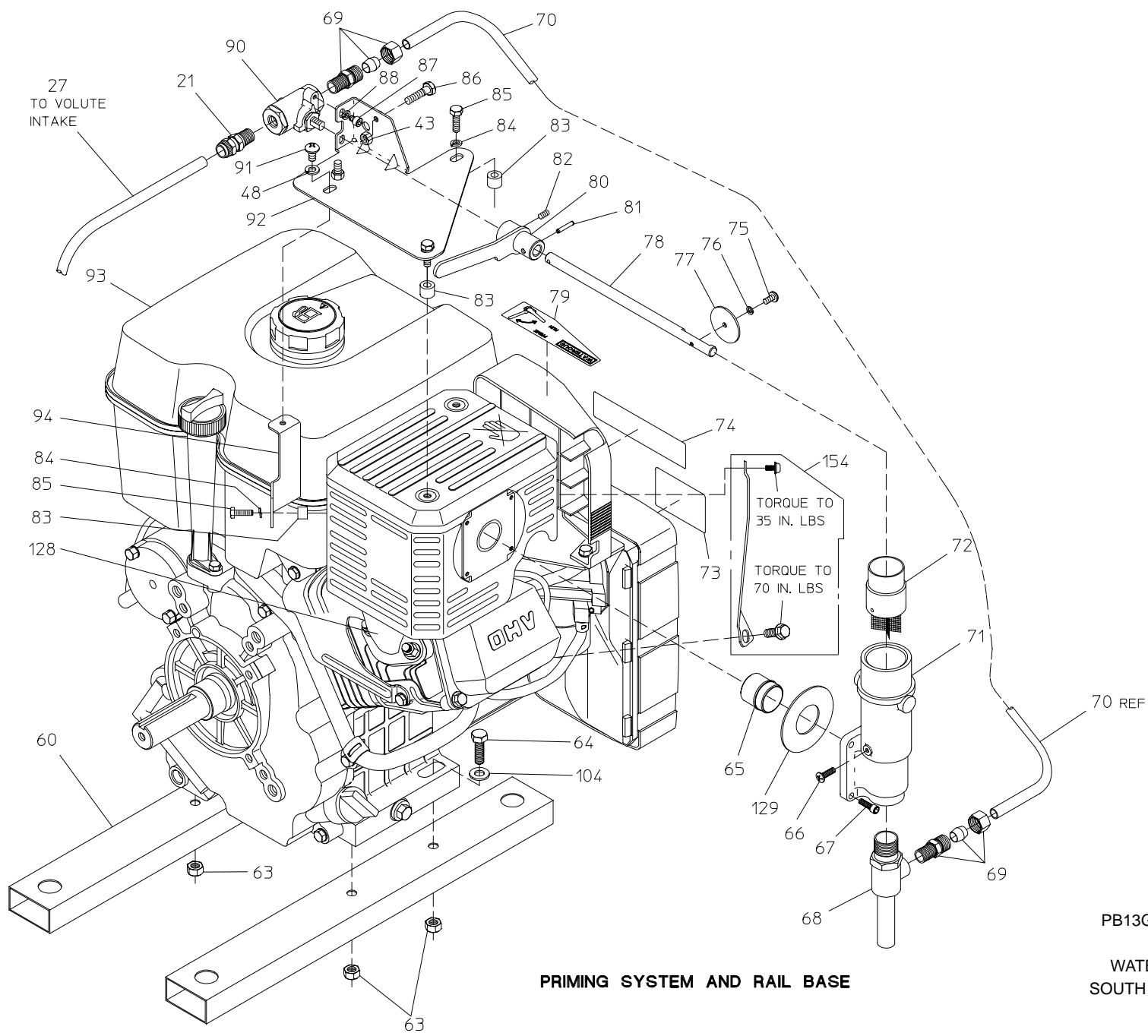
**MODELS PB13-G2015B & PB13-G2015F**

## Priming System & Rail Base

REF. NO.	DESCRIPTION	QTY
21	Tube Connector, 1/4 in. NPT x 3/8 O.D. Tube	1
27	Poly Tubing, 3/8 O.D.	1
43	Hex Nut, 1/4-20	2
48	Lock Washer, 1/4 in.	1
60	Rail Base	2
63	Nylok Nut, 5/16-18	4
64	Hex Hd Screw, 5/16-18 x 1-1/2 in.	4
65	Primer Sleeve	1
66	Pan Hd Screw #10-24 x 1/2 in.	1
67	Socket Hd Screw #10-24 x 5/8 in.	4
68	Exhaust Primer	1
69	Tube Connector, 1/4 in. NPT x 3/8 O.D. Tube	2
70	Primer Tube	1
71	Primer Body	1
72	Spark Arrestor	1
73	Warning Decal	1
74	Waterous Decal	1
75	Pan Hd Screw #8-32 x 3/8 in.	1
76	Lock Washer, #8	1
77	Butterfly Valve	1

REF. NO.	DESCRIPTION	QTY
78	Primer Rod	1
79	Primer Decal	1
80	Primer Handle	1
81	Spirol Pin, 1/8 x 3/4 in.	1
82	Set Screw, #10-24 x 3/8 in.	2
83	Primer Spacer	3
84	Lock Washer, 6mm	3
85	Hex Hd Screw, M6-1 x 20mm	3
86	Hex Hd Screw, 1/4-20 x 1 in.	2
87	Socket Hd Screw, #10-24 x 3/8 in.	2
88	Lock Washer, #10	2
90	Ball Valve, 1/4 in. NPT	1
91	Pan Hd Scew, 1/4-20 x 1/2 in.	1
92	Primer Base	1
93	13hp Vanguard Engine	1
94	Primer Base Support	1
104	Flat Washer, 5/16 in.	4
128	Muffler	1
129	Primer Gasket	1
154	Muffler Bracket	1





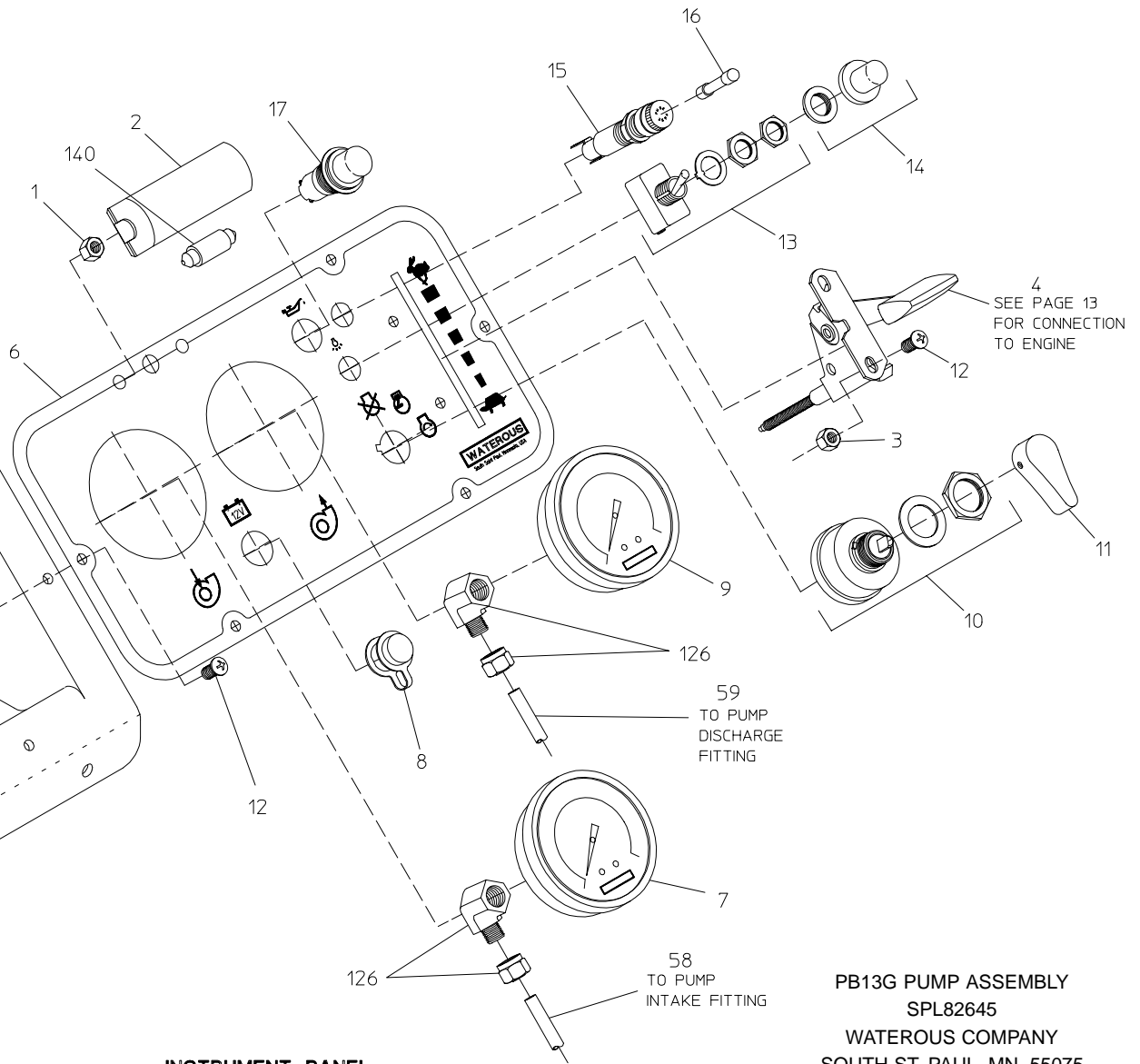
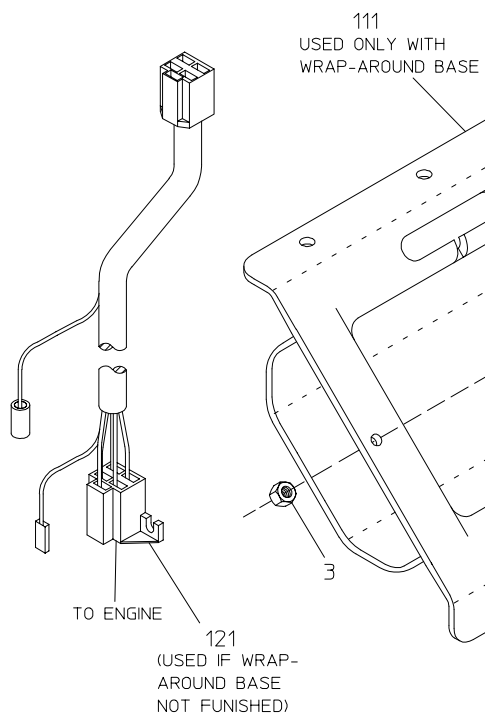
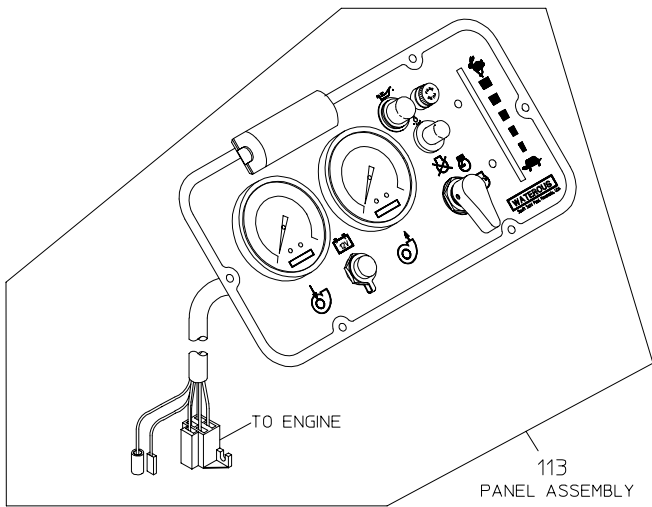
**PRIMING SYSTEM AND RAIL BASE**

**PB13G PUMP ASSEMBLY**  
**SPL82645**  
**WATEROUS COMPANY**  
**SOUTH ST. PAUL, MN 55075**  
**PAGE 7 OF 13**

## Instrument Panel

REF. NO.	DESCRIPTION	QTY
1	Hex Nut, 6mm	2
2	Panel Light	1
3	Nylok Nut , #10-24	2 or 7
4	Throttle Control	1
5	Wiring Harness	1
6	Panel Plate	1
7	Intake Gauge	1
8	Connector Cap	1
9	Discharge Gauge	1
10	Ignition Switch	1
11	Switch Knob	1
12	Pan hd Screw, #10-24 x 1/2 in.	2 or 7
13	Light Switch	1

REF. NO.	DESCRIPTION	QTY
14	Switch Seal	1
15	Fuse Holder	1
16	5 Amp Fuse	1
17	Oil Light	1
43	Hex Nut, 1/4-20	1
58	Nylon Tubing, 1/4 O.D.	1
59	Nylon Tubing, 1/4 O.D.	1
111	Panel Insert	1
113	Panel Assembly	1
121	Harness Extension	1
126	90° Female Elbow	2
140	12 Volt / 5 Watt Bulb	1



PB13G PUMP ASSEMBLY  
SPL82645  
WATEROUS COMPANY  
SOUTH ST. PAUL, MN 55075  
PAGE 9 OF 13

## Optional Wrap-Around Base

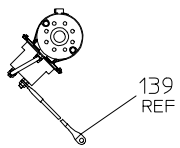
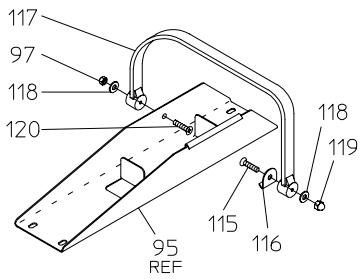
REF. NO.	DESCRIPTION	QTY
55	Lock Washer, 5/16 in.	4
62	Hex Hd Screw, 5/16-18 x 3/4 in.	4
63	Nylok Nut , 5/16-18	4
73	Decal - Warning	1
79	Decal - Primer	1
95	Battery Tray	1
96	Pan Hd Screw, 1/4-20 x 3/4 in.	4
97	Nylok Nut, 1/4-20	13
98	Nylon Washer, 5/16 in.	8
99	End Plug	4
100	Pan Hd Screw, 5/16-18 x 1-3/4 in.	4
101	Carry Handle	4
102	Grip	4
103	Acorn Nut, 5/16-18	4

REF. NO.	DESCRIPTION	QTY
108	Hot Decal	1
109	Wrap-Around Frame	1
110	Oval Hd Screw, 1/4-20 x 1-1/2 in.	8
115	Pan Hd Screw, 1/4-20 x 1 in.	1
116	Strap Clip	1
117	Battery Strap	1
118	Flat Washer, 1/4 in.	2
119	Acorn Nut, 1/4-20	1
120	Flat hd Screw, 1/4-20 x 1 in.	1
138	Negative Battery Cable	1
139	Positive Battery Cable	1
150	Shield - Heat	1
151	Shield - Heat	1
152	Screw - Pan Hd, Self - Tap, #8-18 x 1/2	10
153	Decal - CE Marking	1

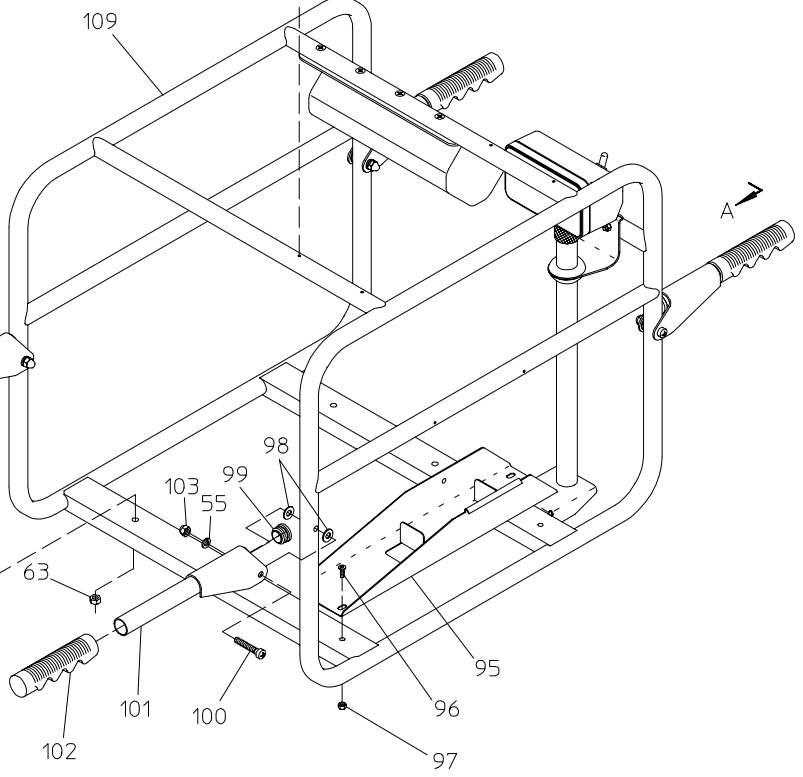
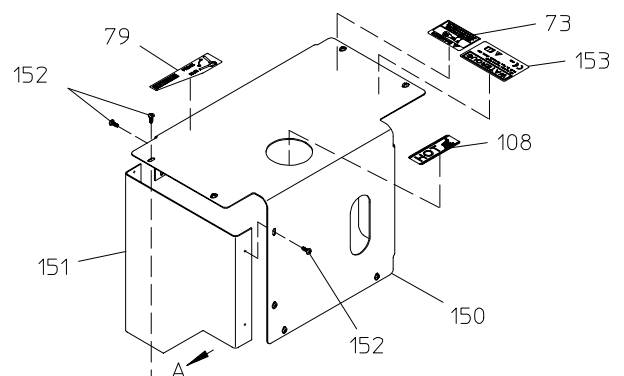
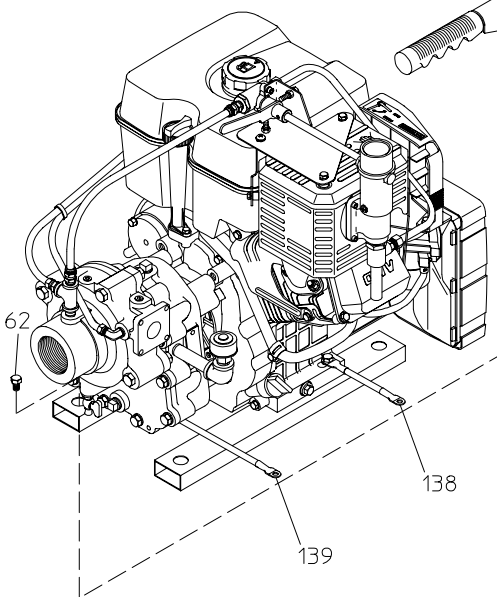
## Optional Mast Light

REF. NO.	DESCRIPTION	QTY
47	Hex Hd Screw, 5/16-18 x 3/4 in.	3
48	Lock Washer, 1/4 in.	1
63	Nylok Nut, 5/16-18	1
97	Nylok Nut, 1/4-20	4
110	Oval Hd Screw, 1/4-20 x 1-1/2 in.	2
112	Mast Light	1

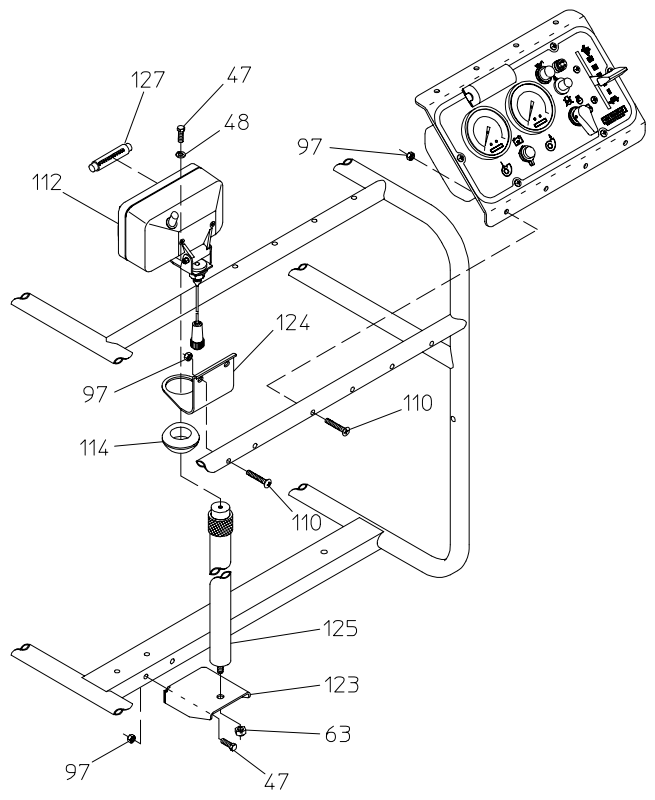
REF. NO.	DESCRIPTION	QTY
114	Rubber Grommet	1
123	Mast Light Base	1
124	Mast Bracket	1
125	Telescoping Mast	1
127	12 Volt / 50 Watt Bulb	1



SOLENOID AND STARTER  
ON BACK SIDE OF ENGINE



**OPTIONAL WRAP-AROUND BASE**



VIEW A-A

**OPTIONAL MAST LIGHT**

## Wiring Schematic

REF. NO.	DESCRIPTION	QTY
4	Throttle Control	1
5	Wiring Harness	1

REF. NO.	DESCRIPTION	QTY
43	Hex Nut, 1/4-20	1
121	Harness Extension	1

