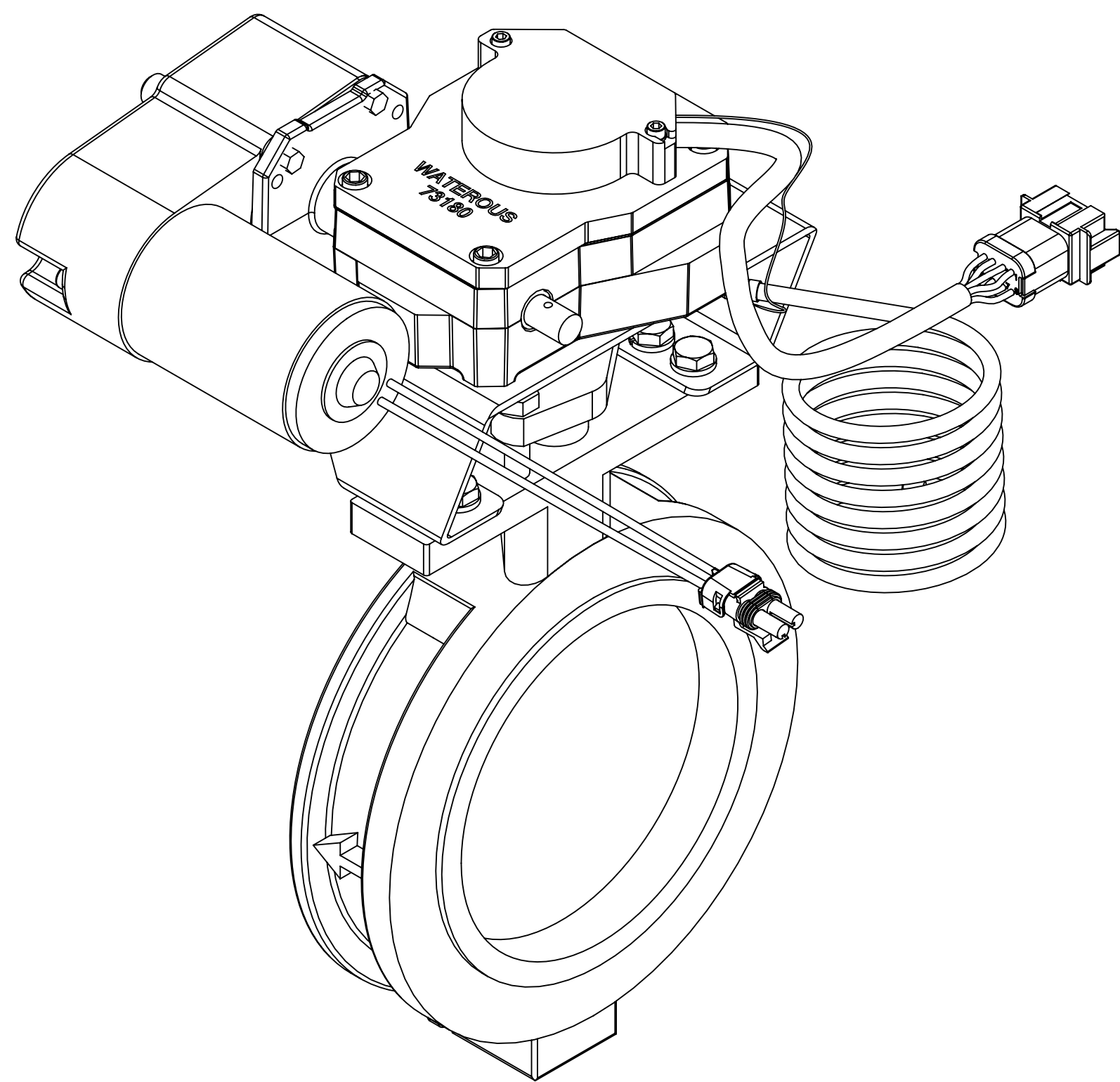


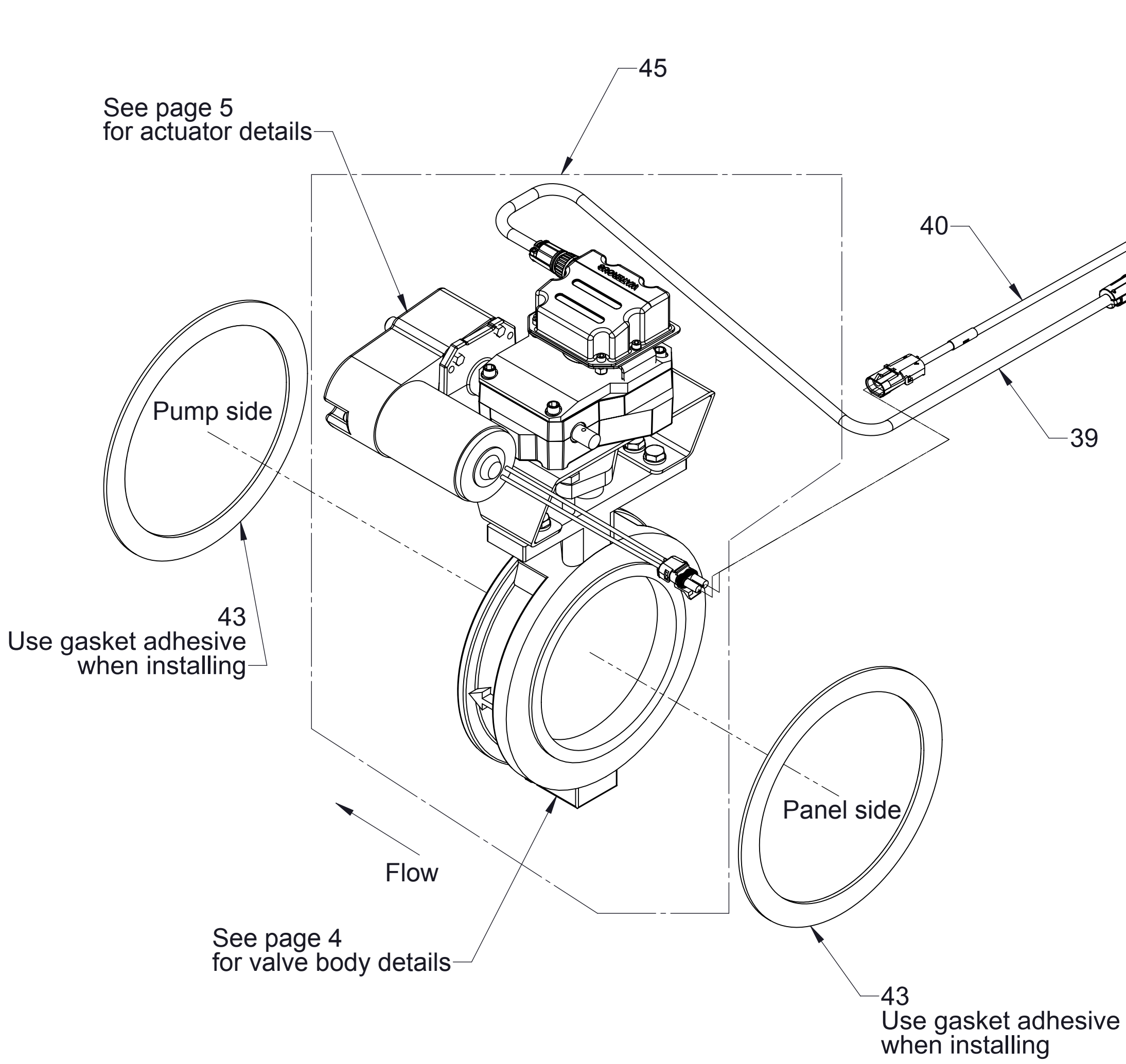
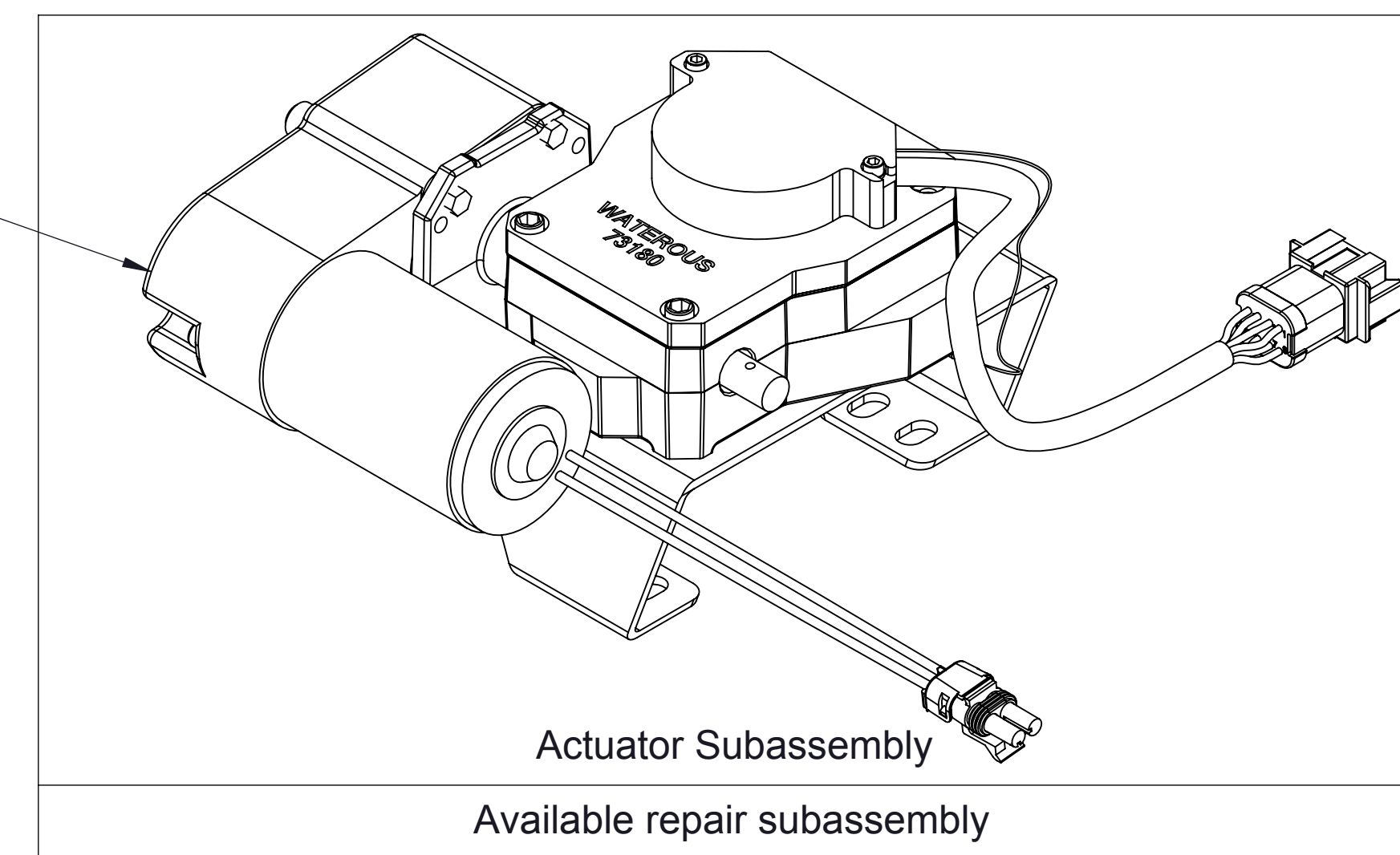
## 6 in. Butterfly Valve Service Parts List

For valve and pneumatic actuator repair parts not shown, see METSO website (Jamesbury valves).

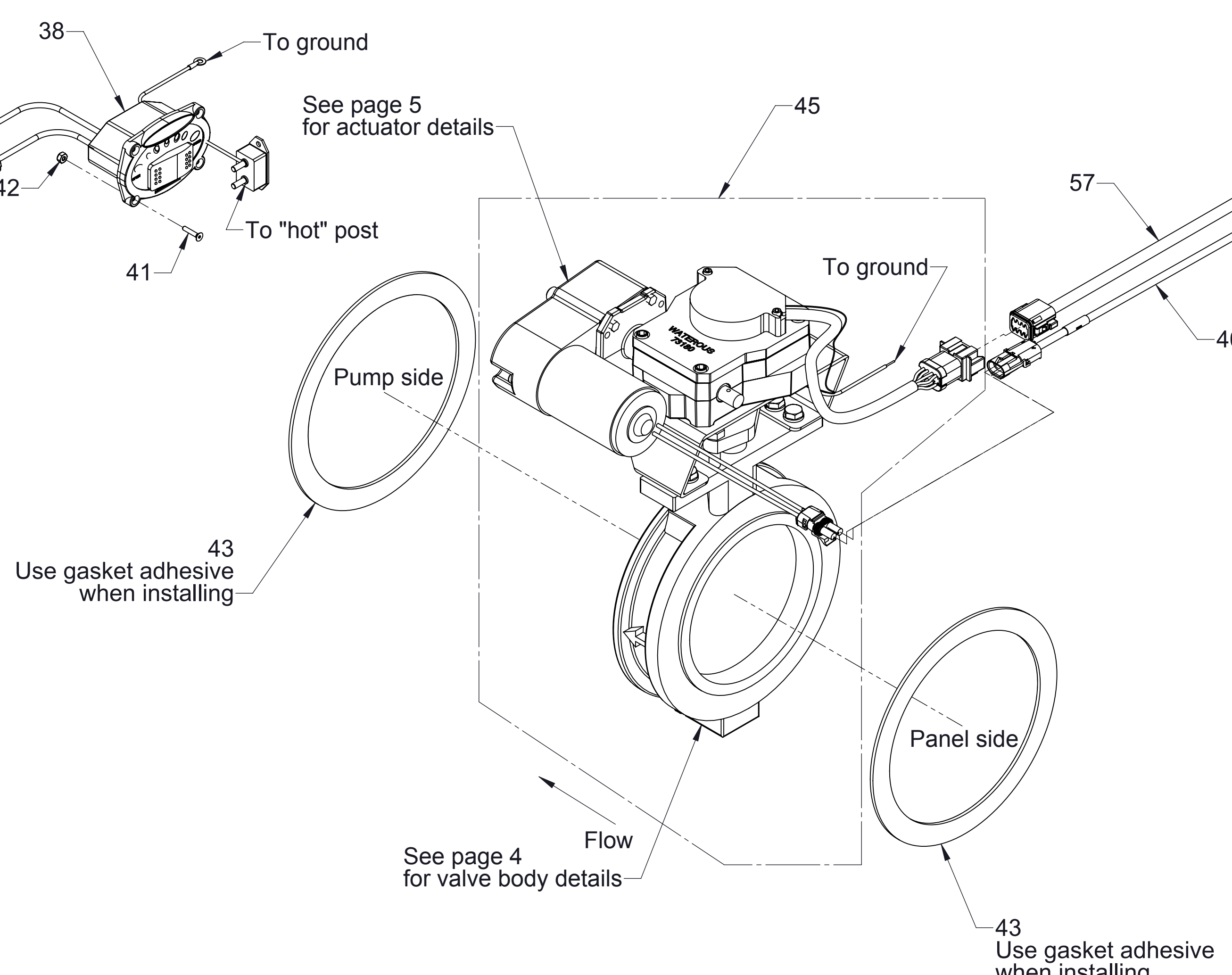
Valve Actuator Type		Components	See Page
Electric		Cables and Panel Components	2
		Manual Override	3
		Valve Body	4
		Rotary Actuator	5
Pneumatic		Valve and Actuator	6
Manual	Indicating	Cables and Panel Components	7
		Valve Body	8
		Rotary Actuator	9
	Non-Indicating	Valve and Actuator	10



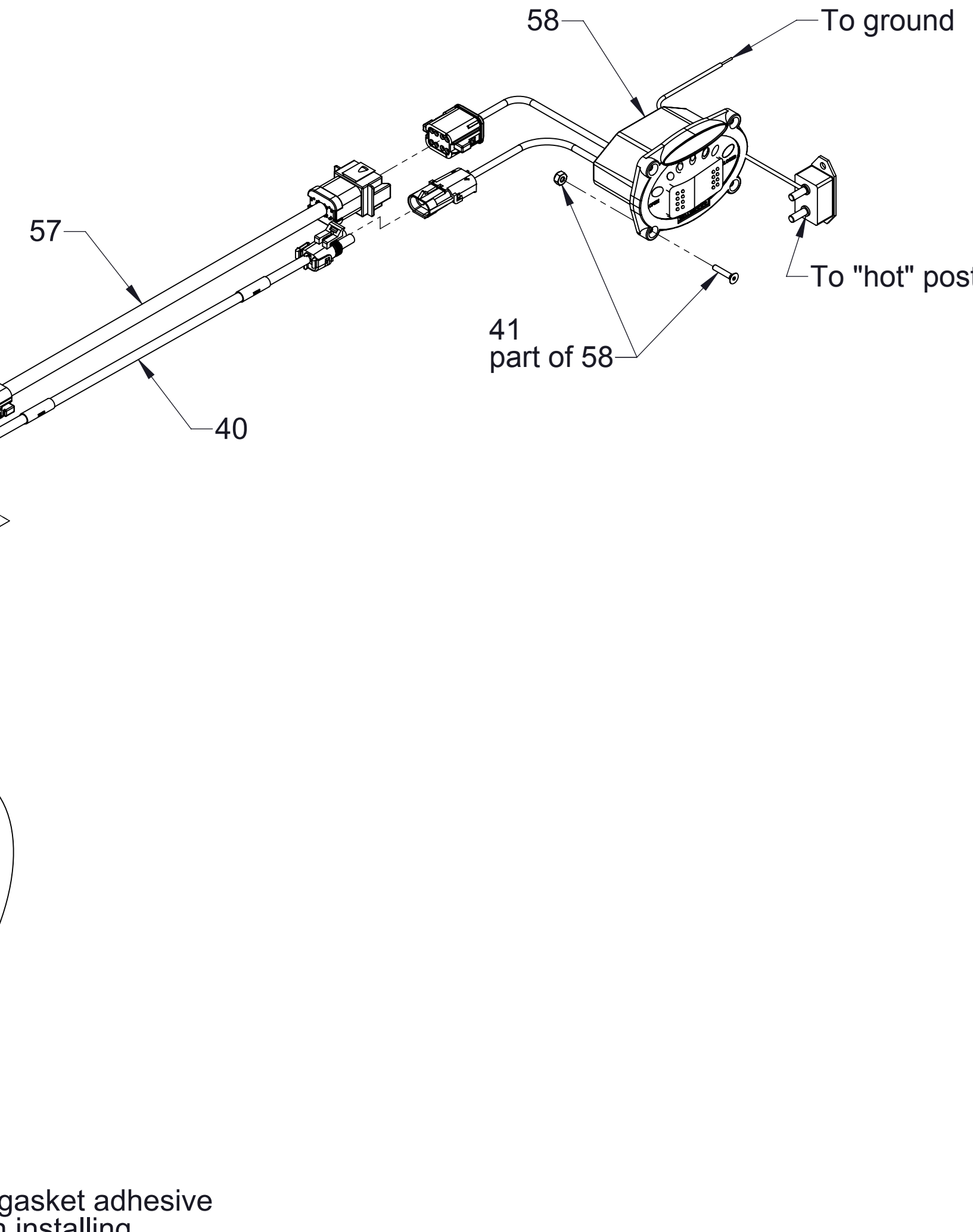
Ref No.	Description
38	Panel Assembly (prior to November 6, 2006)
39	Wire-Switch Extension
40	Wire-Motor Extension
41	Screw-Machine, Flat Hd, Hex Soc, #6-32 x 3/4 in
42	Nut-Hex, Nylok, #6-32
43	Gasket-Valve
45	Valve and Actuator Subassembly
57	Cable-Extension, Encoder
58	Panel Assembly-Control, Electric (after November 6, 2006)
86	Actuator Subassembly



Valve built prior to November 6, 2006

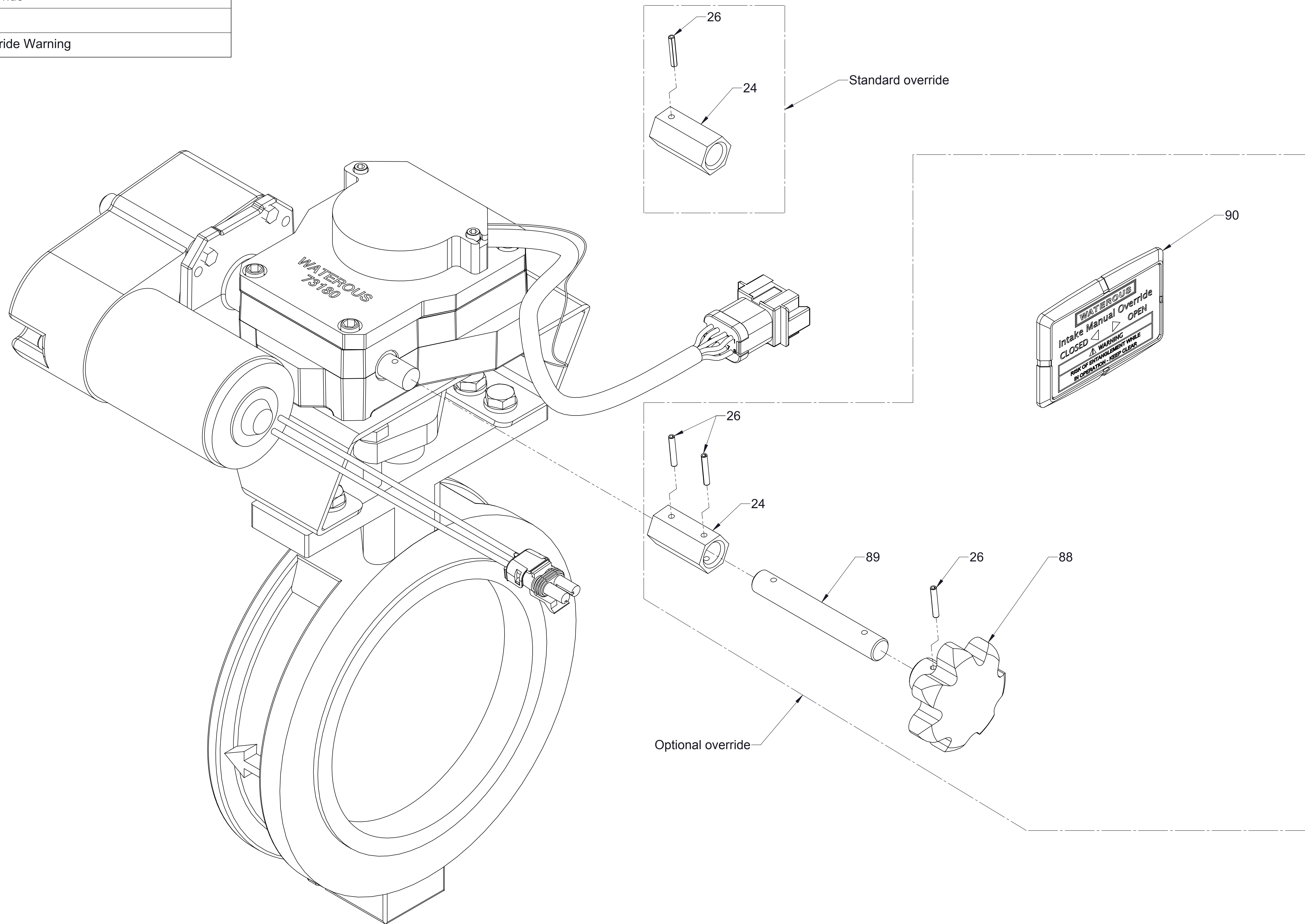


Electric Valves with Cables and Panel Components



Valve built after November 6, 2006

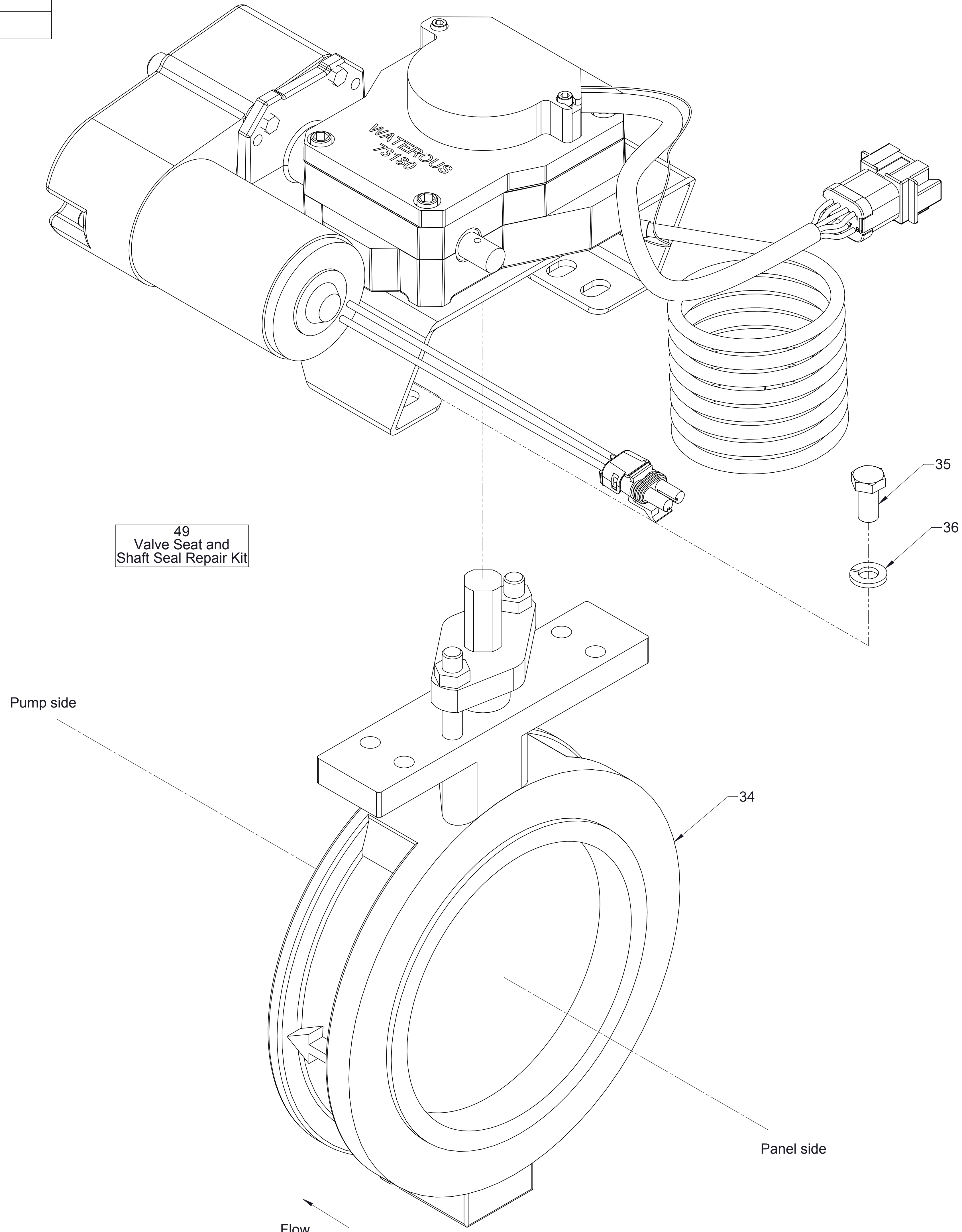
Ref No.	Description
24	Nut-Adapter
26	Pin-Spirol, 1/8 x 3/4 in
88	Knob, Manual Override
89	Rod-Connecting
90	Plate-Manual Override Warning



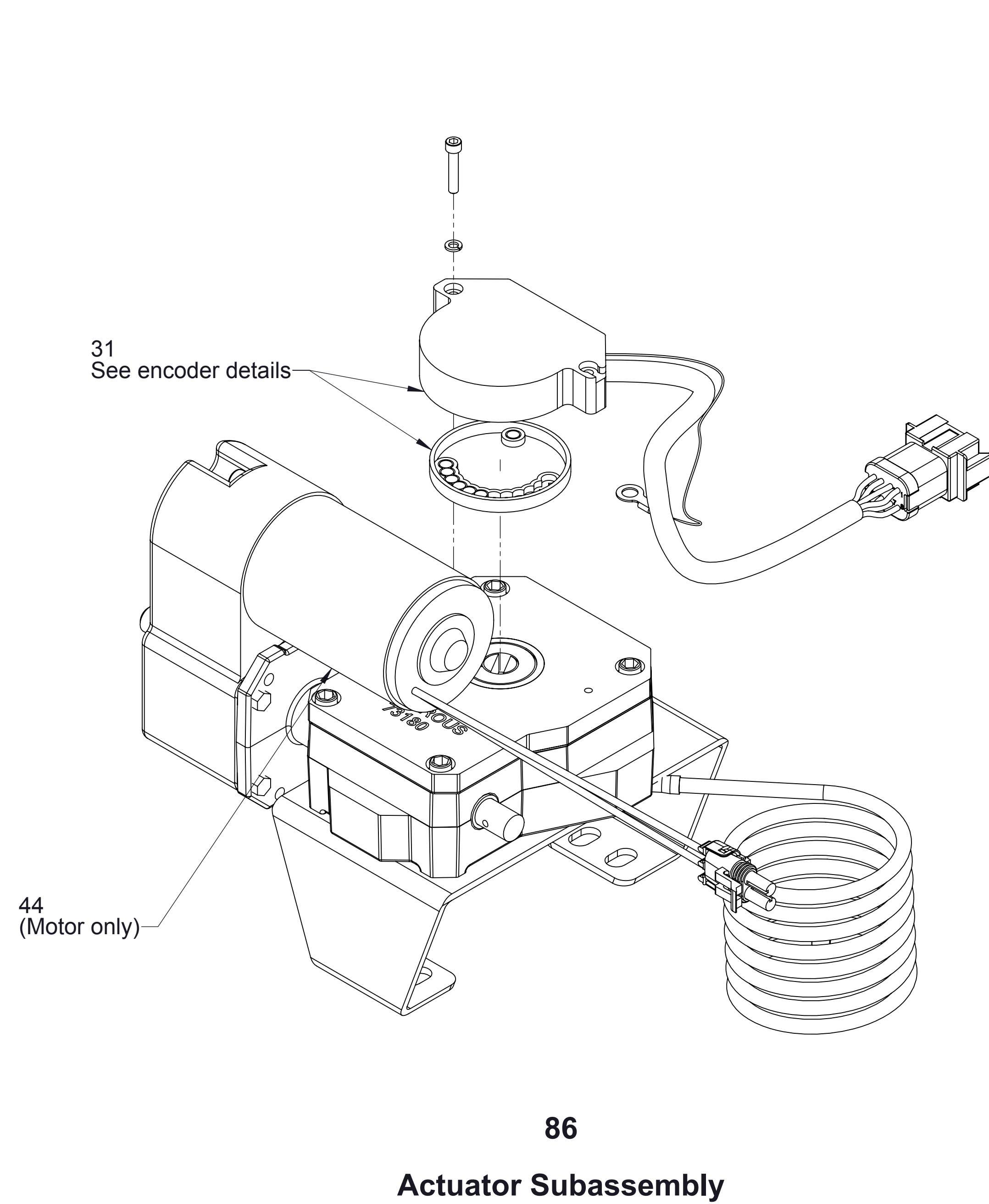
### Manual Override

If manual override is used, attach to shaft on opposite side of motor only.

Ref No.	Description
34	Valve-Body, 6 in Jamesbury
35	Screw-Hex Hd, 3/8-16 x 3/4 in
36	Washer-Lock, 3/8 in
49	Valve Seat and Shaft Repair Kit



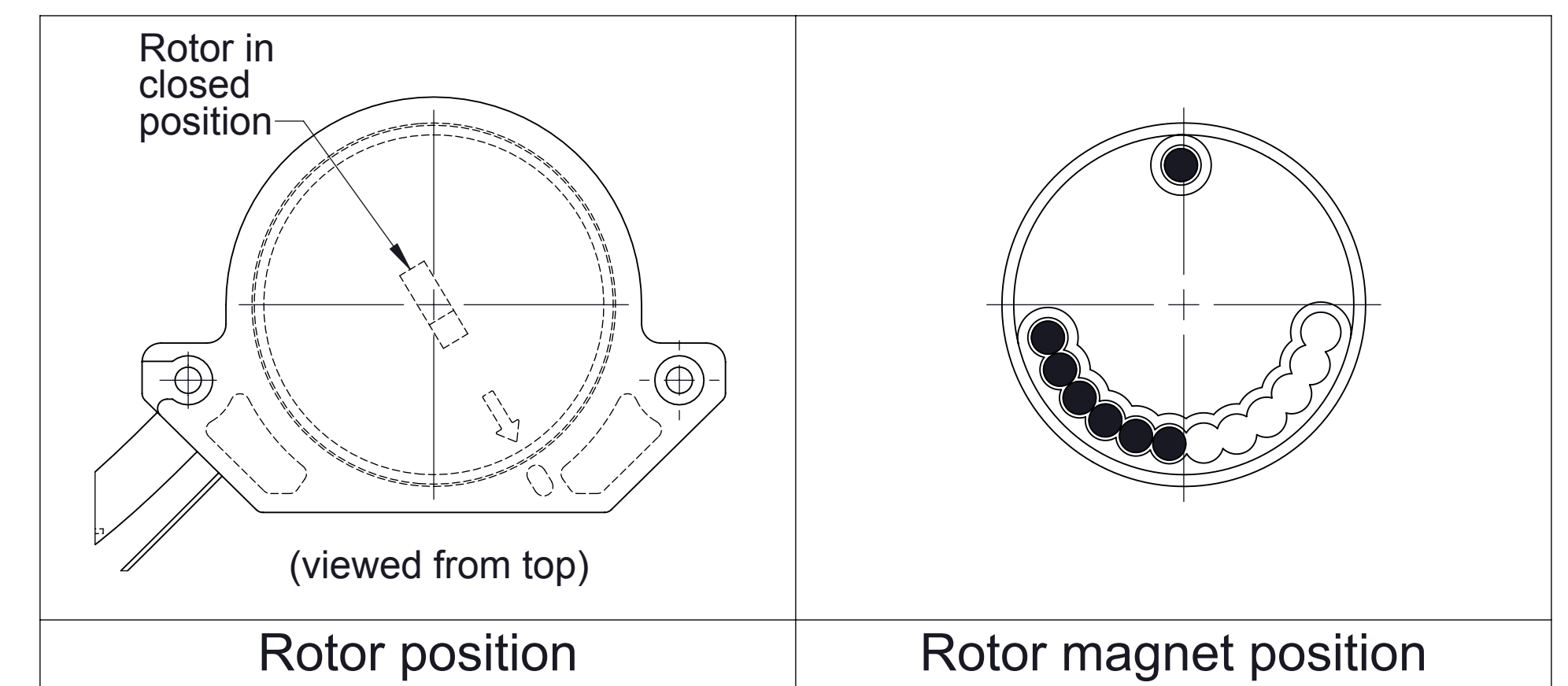
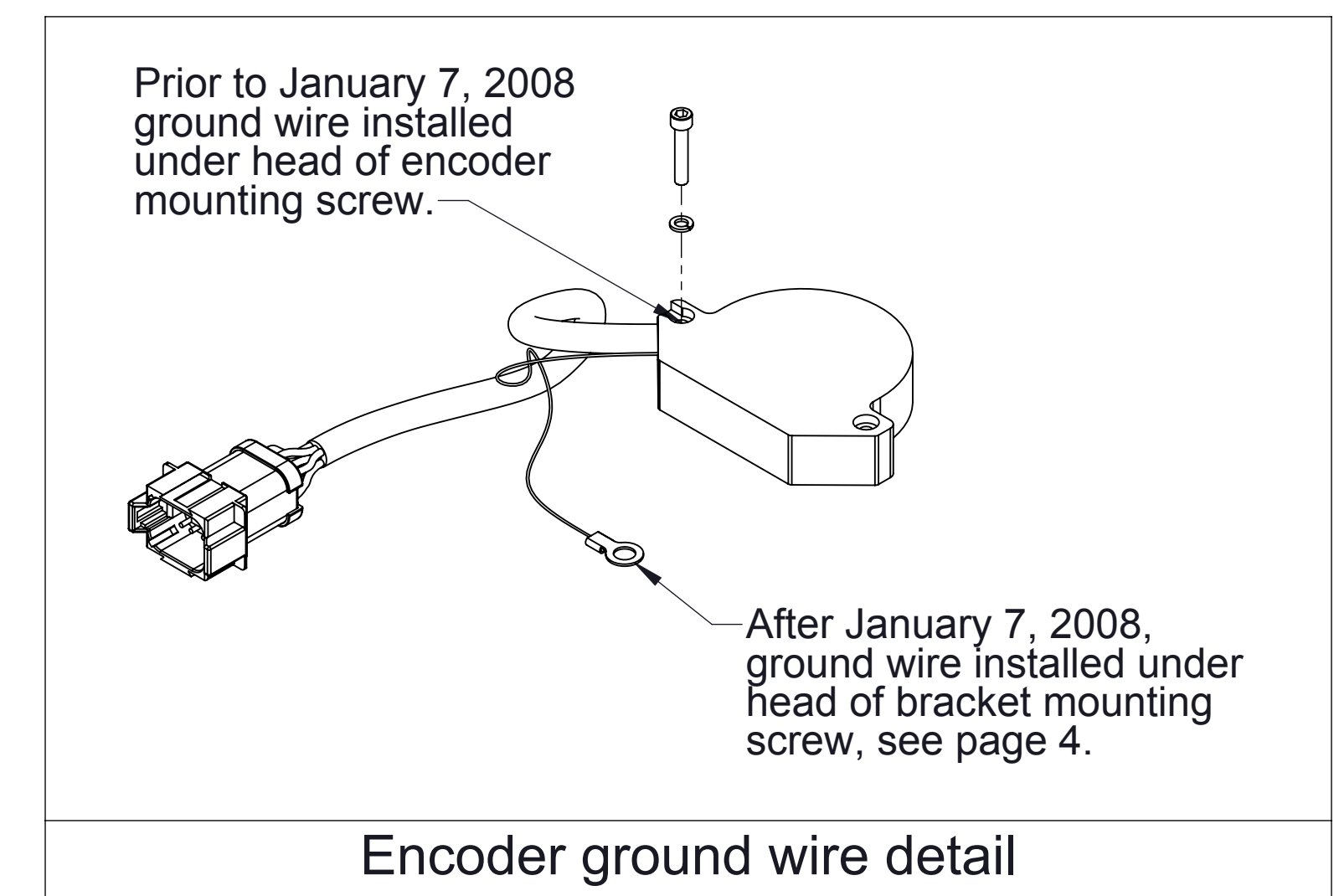
Ref No.	Description
31	Rotary Encoder Replacement Kit
44	Motor Replacement Kit
86	Actuator Subassembly

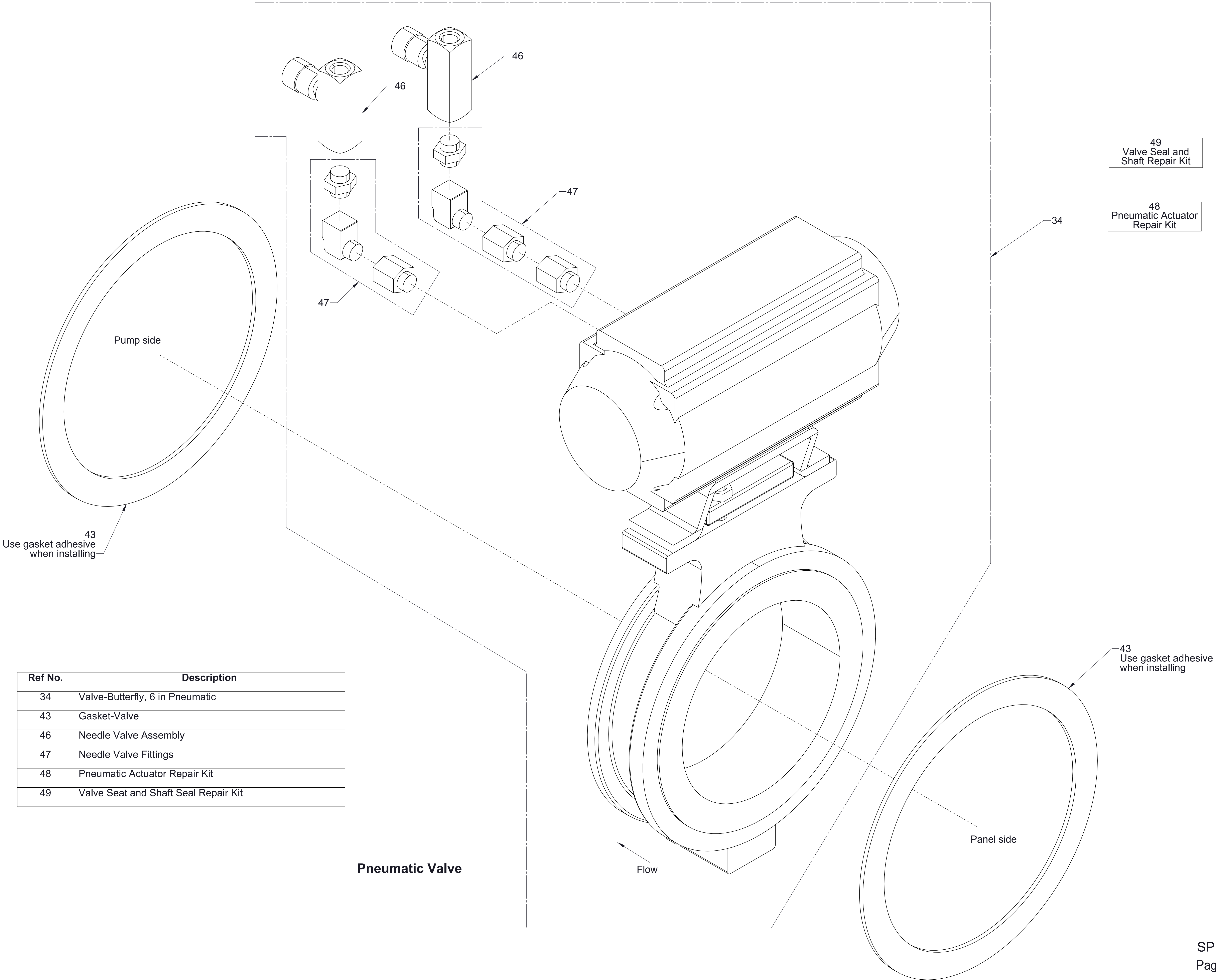


44  
Motor Replacement  
Kit

31  
Rotary Encoder  
Replacement Kit

**Encoder Details**



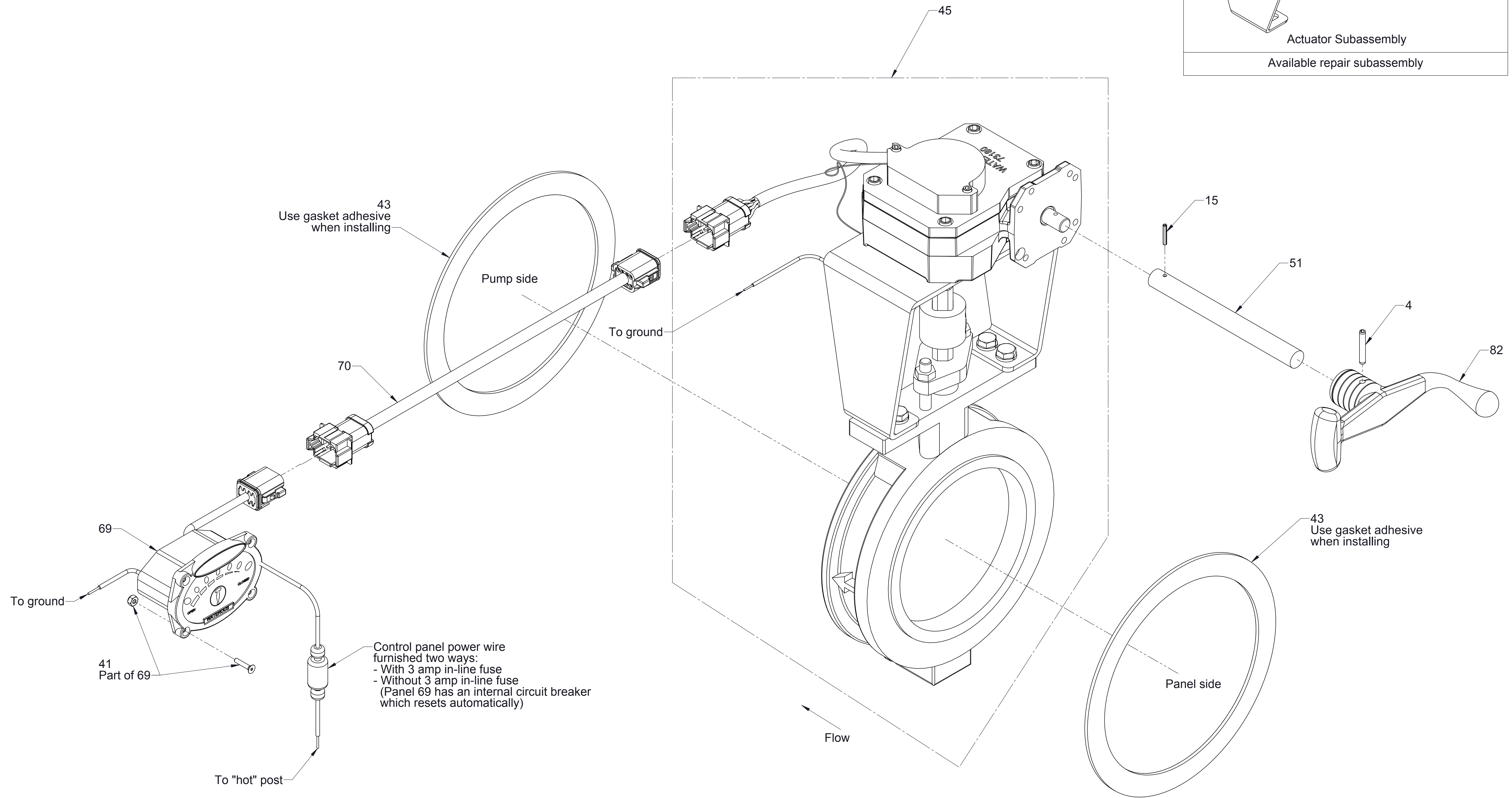
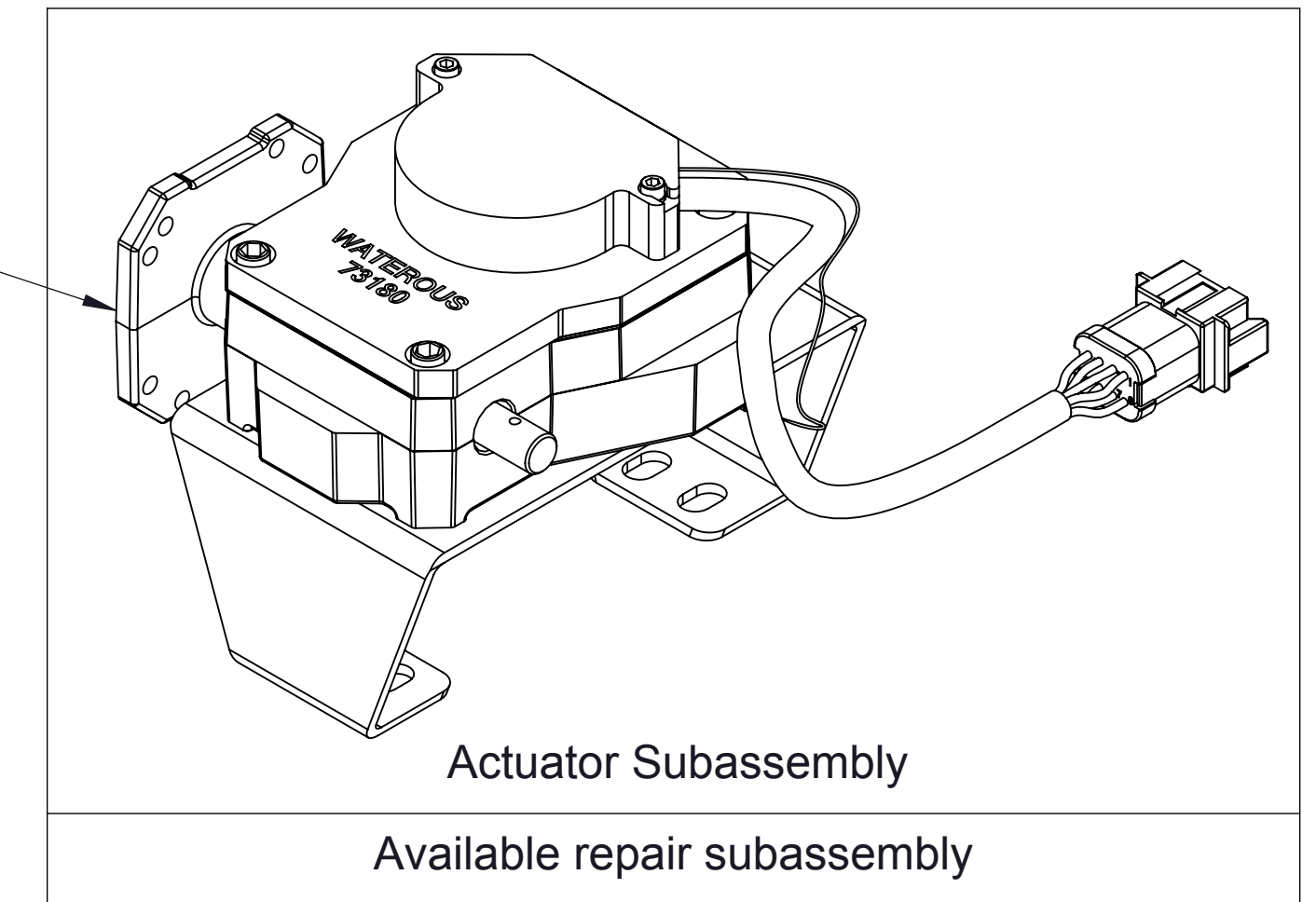


Ref No.	Description
34	Valve-Butterfly, 6 in Pneumatic
43	Gasket-Valve
46	Needle Valve Assembly
47	Needle Valve Fittings
48	Pneumatic Actuator Repair Kit
49	Valve Seat and Shaft Seal Repair Kit

49  
Valve Seal and  
Shaft Repair Kit

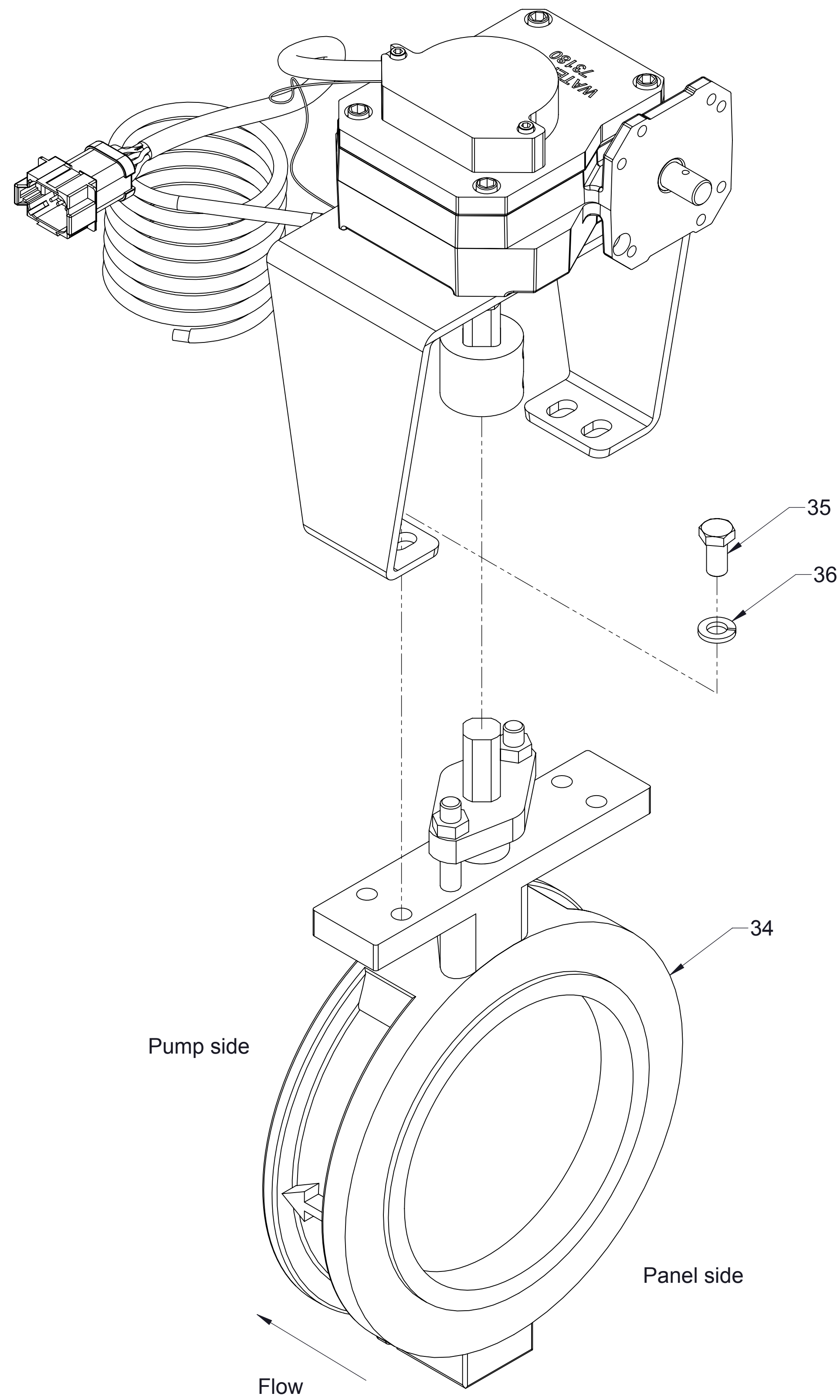
48  
Pneumatic Actuator  
Repair Kit

Ref No.	Description
4	Pin-Spring, 3/16 x 1 1/4 in
15	Pin-Spirol, 1/8 x 3/4 in
41	Screw-Machine, Flat Hd, Hex Soc, #6-32 x 3/4 in
43	Gasket-Valve
45	Manual Butterfly Valve (Includes Actuator)
51	Shaft-Extension, Handle
69	LED Panel Assembly
70	Cable-Extension, Encoder
82	Handle-Discharge Valve
86	Actuator Subassembly



**Manual Indicating Valve  
with Cable and Panel Components**

Ref No.	Description
34	Valve-Body, 6 in Jamesbury
35	Screw-Hex Hd, 3/8-16 x 3/4 in
36	Washer-Lock, 3/8 in
49	Valve Seat and Shaft Seal Repair Kit

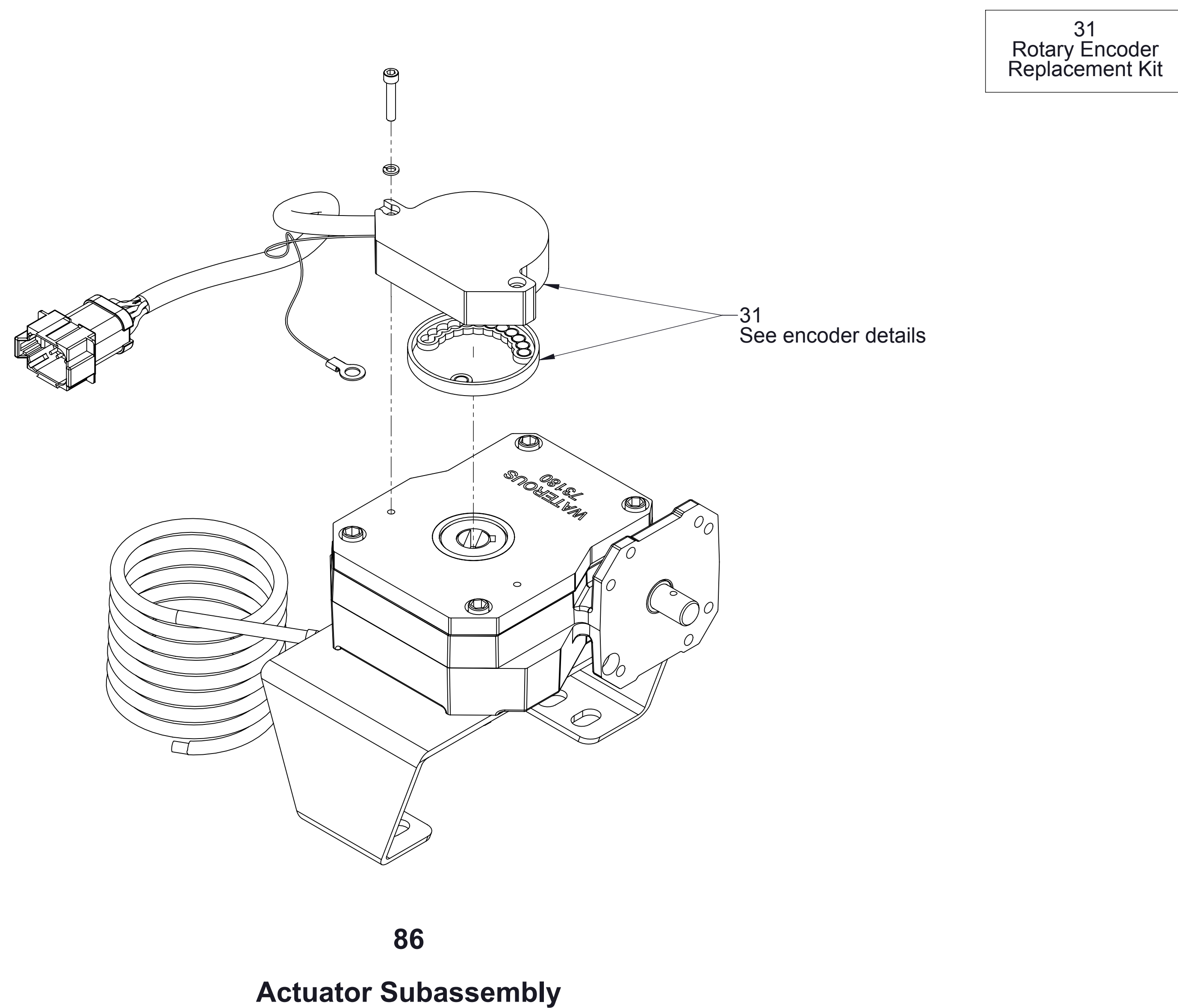


49  
Valve Seat and  
Shaft Seal Repair Kit

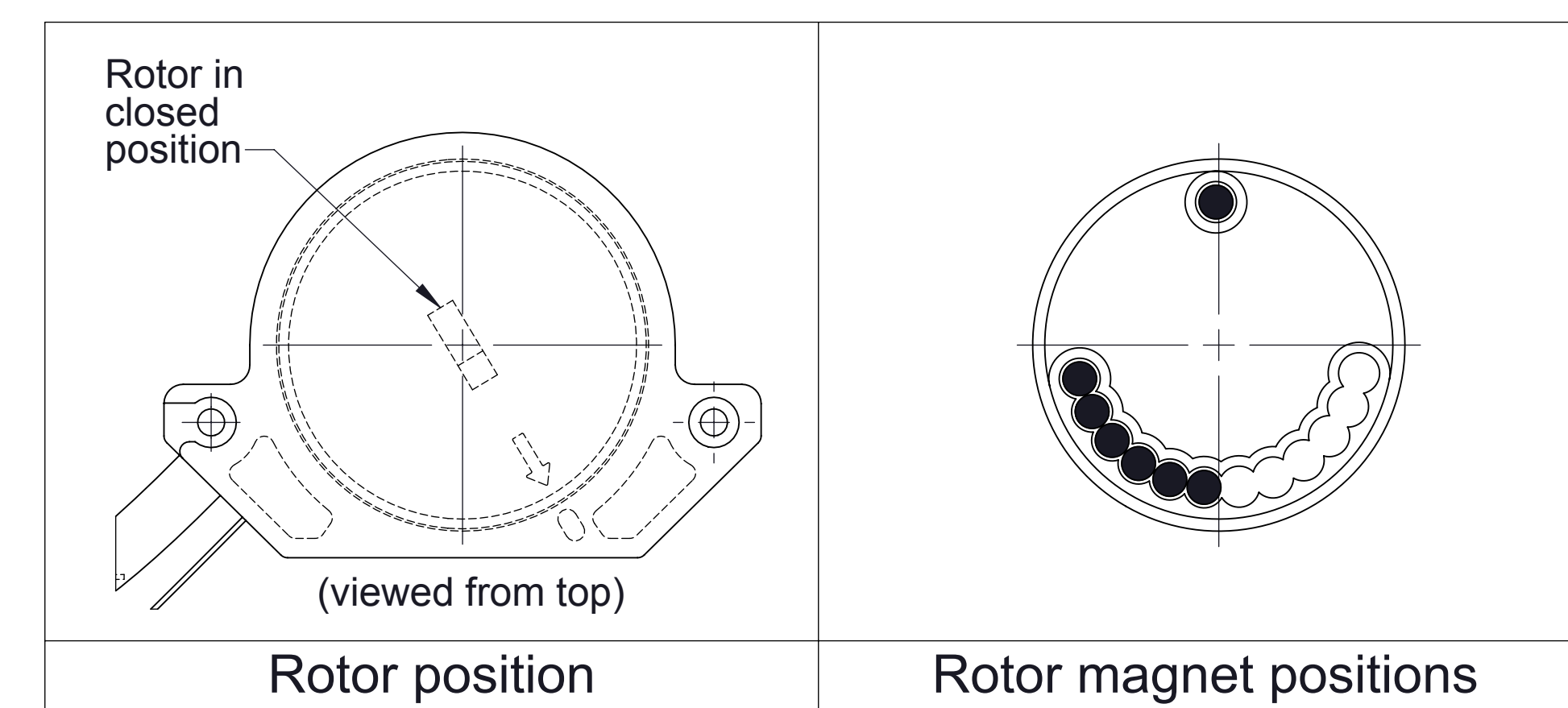
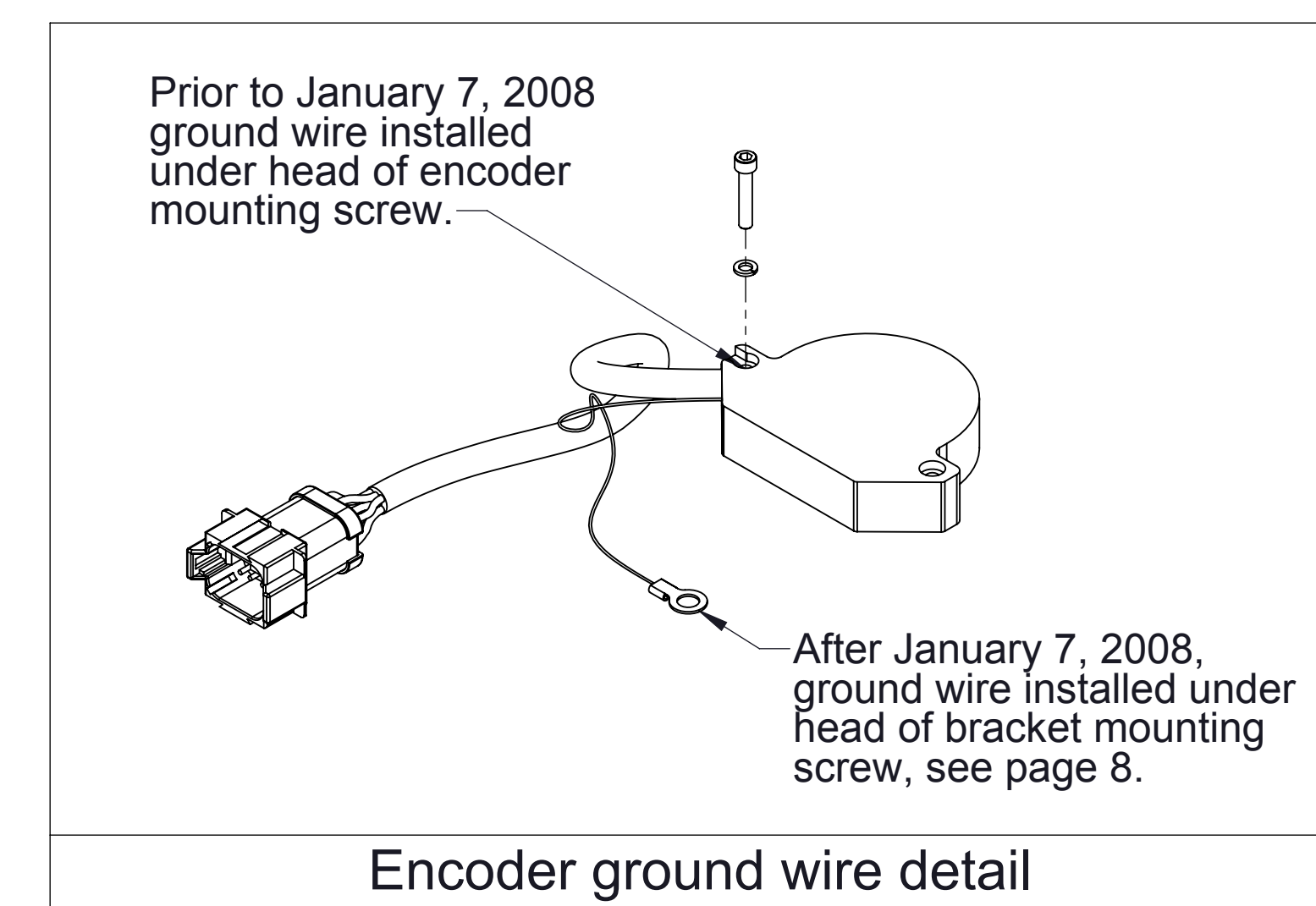
**Manual Indicating Valve Body**



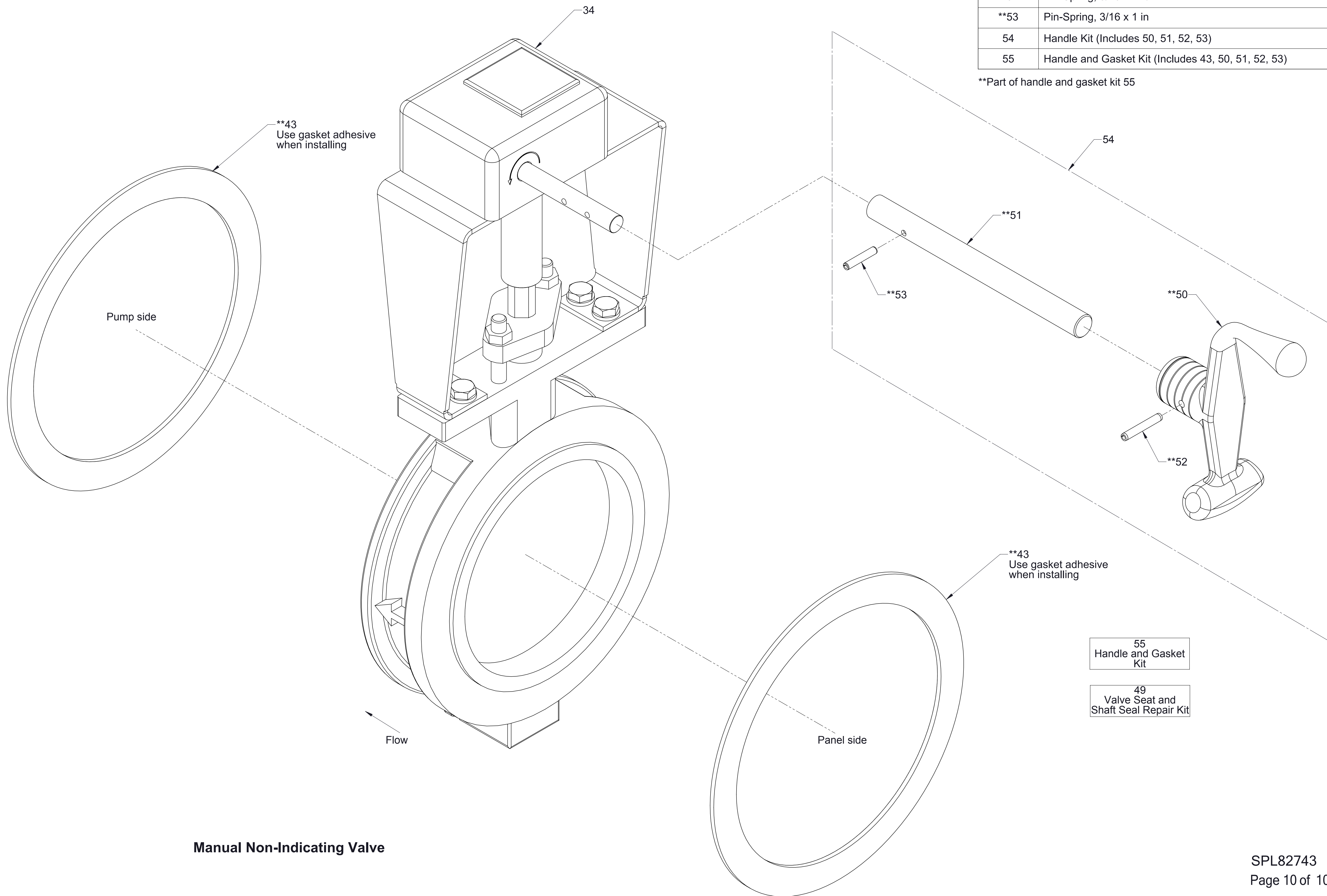
Ref No.	Description
31	Encoder-Rotary, 90°
86	Actuator Subassembly



### Encoder Details



Ref No.	Description
34	Manual Butterfly Valve (Includes Actuator)
**43	Gasket-Valve
49	Valve Seat and Shaft Seal Repair Kit
**50	Handle-Discharge Valve
**51	Extension-Shaft
**52	Pin-Spring, 3/16 x 1 1/4 in
**53	Pin-Spring, 3/16 x 1 in
54	Handle Kit (Includes 50, 51, 52, 53)
55	Handle and Gasket Kit (Includes 43, 50, 51, 52, 53)



**Manual Non-Indicating Valve**