



Document Number SPL82790	Issue Date 03/02/05	Rev. Date 5/11/18
------------------------------------	-------------------------------	-----------------------------

CS Body Assembly Service Parts List CS'04 Body Style

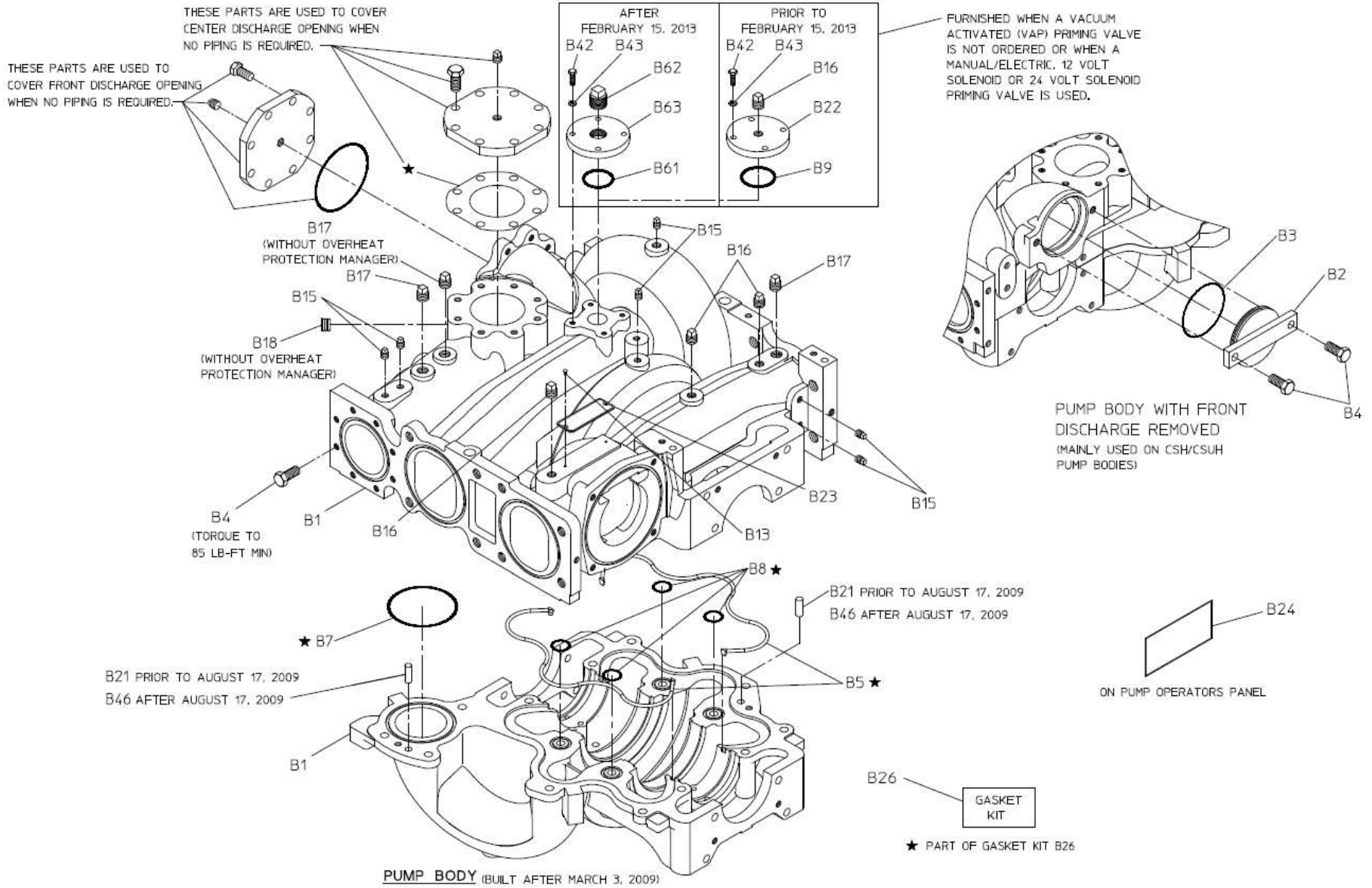
Index:

Pump Model	Component		See Page	
			Pumps Built After March 3, 2009	Pumps Built Prior to March 3, 2009
CS, CSH, CSU, CSUH	Pump Body Halves	View of Body (Top Side)	2, 3	4, 5
		View of Cover (Underside)	6, 7	8, 9
	Intake Adapters	Left Side	10, 11	10, 11
		Right Side	12, 13	12, 13
	Tank to Pump Connection		14, 15	14, 15

**View of Body (Top Sides)
Pumps Built After March 3, 2009**

REF NO.	DESCRIPTION
B1	Body / Cover Subassembly
B2	Front Discharge Plug
B3	O-ring, 3-3/4 x 4 in.
B4	Hex Hd Screw, 1/2-13 x 1-1/4 in.
B5	Molded Body Gasket
B7	Discharge & Crossover Flange Gasket
B8	O-ring, 1 x 1-1/4 in.
B9	O-ring, 2-1/8 x 2-3/8 in.
B13	Drive Screw, #6 x 1/4 in.
B15	Pipe Plug, 1/4 in. NPT
B16	Pipe Plug, 3/8 in. NPT
B17	Pipe Plug, 1/2 in. NPT

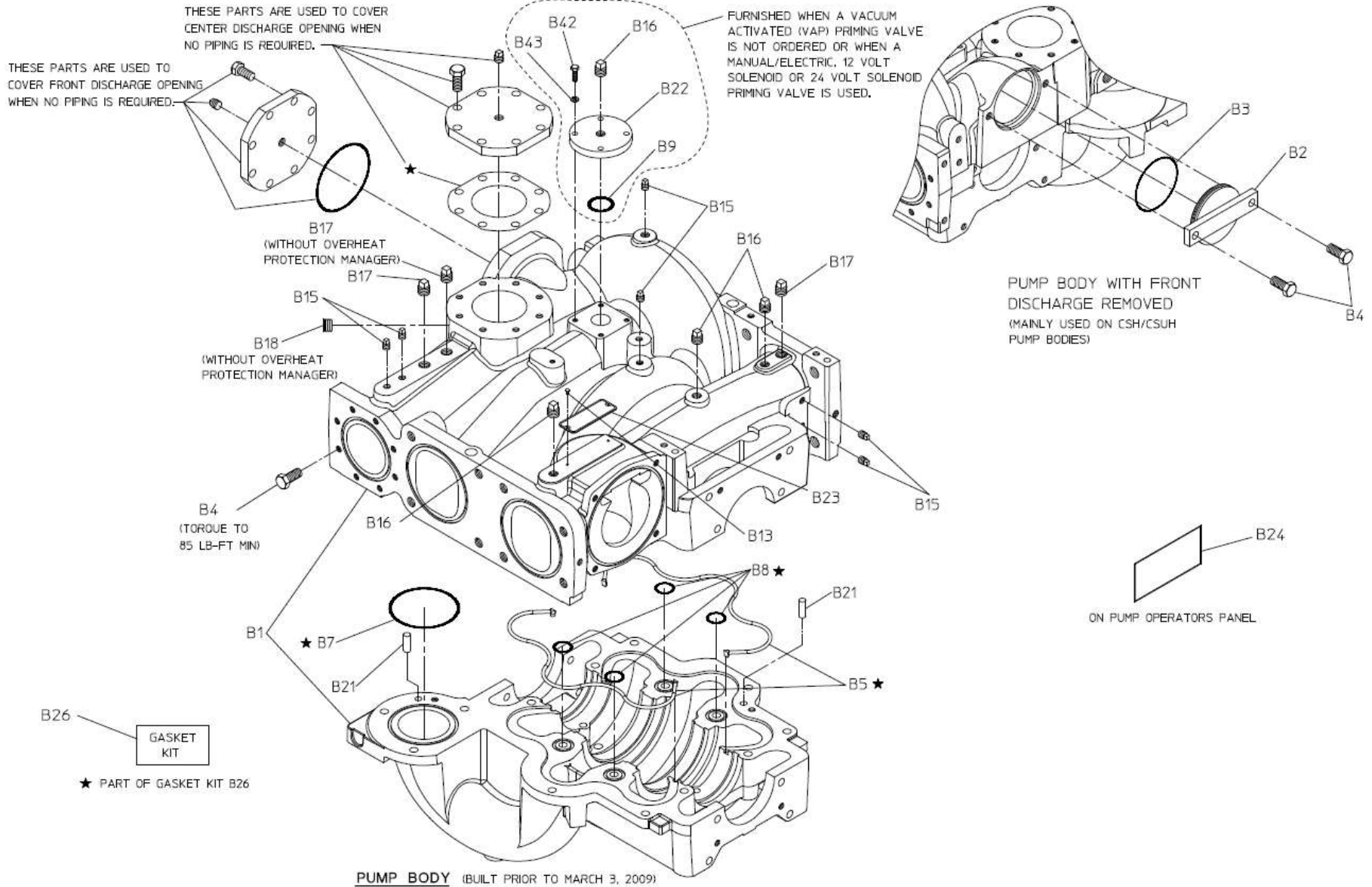
REF NO.	DESCRIPTION
B18	Headless Pipe Plug, 1/2 in. NPT
B21	Dowel Pin, 7/16 x 1-1/4 in. (Prior to August 17, 2009)
B22	Priming Valve Pad Cover
B23	Repair Pump Serial Plate
B24	Repair Panel Serial Plate
B26	Gasket Kit (Consists of B5, B6, B7, B8 & B41)
B42	Hex Hd Screw, 5/16-18 x 1 in.
B43	Lock Washer, 5/16 in.
B46	Dowel Pin, 7/16 x 1 in. (After August 17, 2009)
B61	O-ring, 1-3/4 x 2 in.
B62	Pipe Plug, 3/4 in. NPT
B63	Priming Valve Pad Cover



View of Body (Top Sides)
Pumps Built Prior to March 3, 2009

REF NO.	DESCRIPTION
B1	Body / Cover Subassembly
B2	Front Discharge Plug
B3	O-ring, 3-3/4 x 4 in.
B4	Hex Hd Screw, 1/2-13 x 1-1/4 in.
B5	Molded Body Gasket
B7	Discharge & Crossover Flange Gasket
B8	O-ring, 1 x 1-1/4 in.
B9	O-ring, 2-1/8 x 2-3/8 in.
B13	Drive Screw, #6 x 1/4 in.
B15	Pipe Plug, 1/4 in. NPT

REF NO.	DESCRIPTION
B16	Pipe Plug, 3/8 in. NPT
B17	Pipe Plug, 1/2 in. NPT
B18	Headless Pipe Plug, 1/2 in. NPT
B21	Dowel Pin, 7/16 x 1-1/4 in.
B22	Priming Valve Pad Blind Flange
B23	Repair Pump Serial Plate
B24	Repair Panel Serial Plate
B26	Gasket Kit (Consists of B5, B6, B7, B8 & B41)
B42	Hex Hd Screw, 5/16-18 x 1 in.
B43	Lock Washer, 5/16 in.

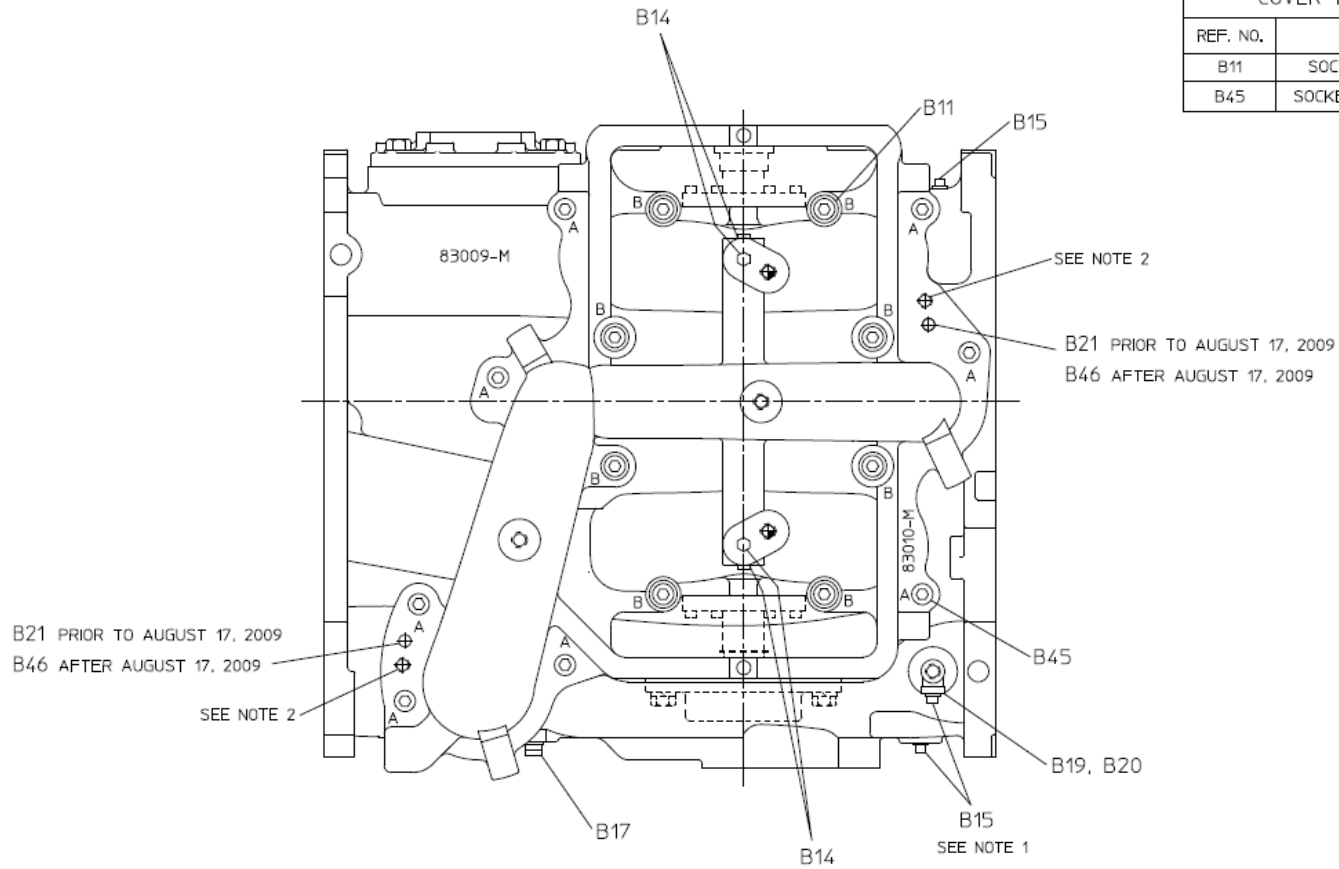


View of Cover (Underside)
Pumps Built After March 3, 2009

REF NO.	DESCRIPTION
B11	Socket Hd Screw, 1/2-13 x 4 in.
B14	Hex Hd Pipe Plug, 1/8 in. NPT
B15	Pipe Plug, 1/4 in. NPT
B17	Pipe Plug, 1/2 in. NPT

REF NO.	DESCRIPTION
B19	Pipe Tee, 1/4 in. NPT
B20	Pipe Nipple, 1/4 in. x 1-1/2 in.
B21	Dowel Pin, 7/16 x 1-1/4 in.
B45	Socket Hd Screw, 1/2-13 x 1-1/4 in.

COVER TO BODY FASTENER TYPE AND SIZE			
REF. NO.	DESCRIPTION	QTY	TORQUE
B11	SOCKET HEAD, 1/2-13 X 4	8	105 FT-LB MIN
B45	SOCKET HEAD, 1/2-13 X 1-1/4	8	105 FT-LB MIN



UNDERSIDE VIEW OF PUMP
(BUILT AFTER MARCH 3, 2009)

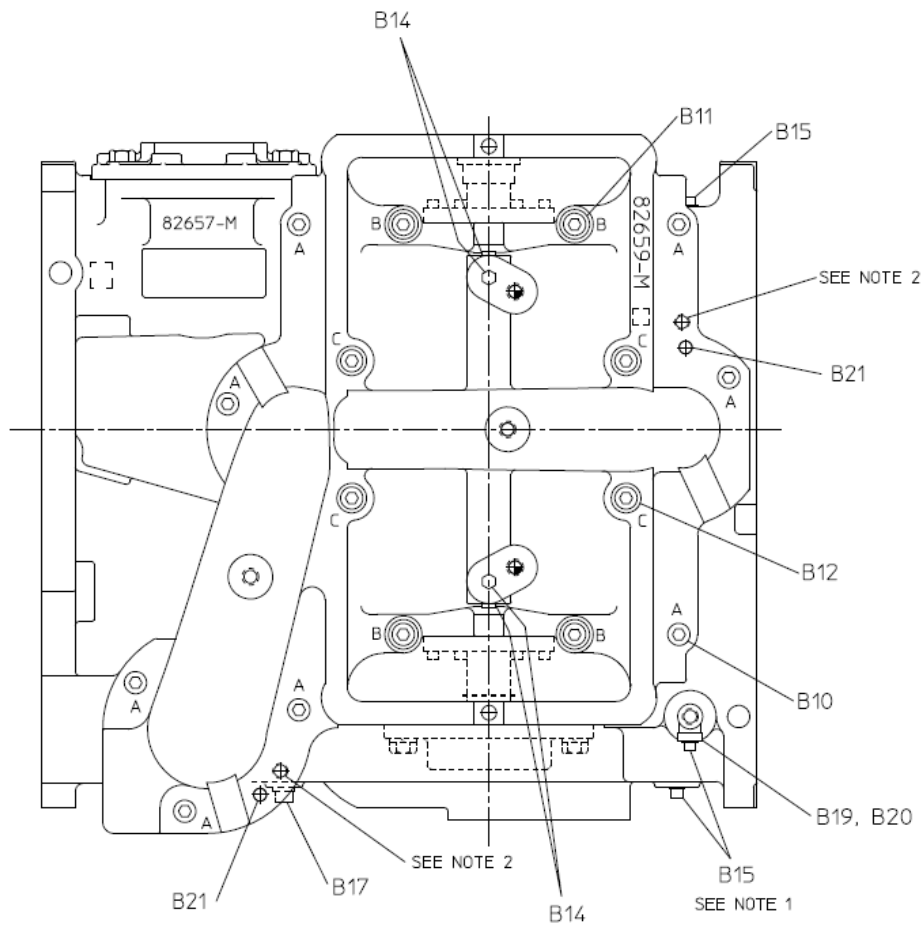
NOTES:

1. WATEROUS FURNISHES PUMP WITH B15 PIPE PLUGS INSTALLED IN THESE HOLES, BUT THE APPARATUS BUILDER MAY HAVE REMOVED THEM AND INSTALLED PIPING TO THE DRAIN VALVE.
2. THESE ARE 1/2-13 UNC TAPPED HOLES TO ACCOMMODATE THE USE OF JACKING SCREWS DURING DISASSEMBLY.

View of Cover (Underside)
Pumps Built Prior to March 3, 2009

REF NO.	DESCRIPTION
B10	Socket Hd Screw, 1/2-13 x 1-1/2 in.
B11	Socket Hd Screw, 1/2-13 x 4 in.
B12	Socket Hd Screw, 1/2-13 x 4-3/4 in.
B14	Hex Hd Pipe Plug, 1/8 in. NPT
B15	Pipe Plug, 1/4 in. NPT

REF NO.	DESCRIPTION
B17	Pipe Plug, 1/2 in. NPT
B19	Pipe Tee, 1/4 in. NPT
B20	Pipe Nipple, 1/4 in. x 1-1/2 in.
B21	Dowel Pin, 7/16 x 1-1/4 in.



COVER TO BODY FASTENER TYPE AND SIZE			
REF. NO.	DESCRIPTION	QTY	TORQUE
B10	SOCKET HEAD, 1/2-13 X 1-1/2	8	105 FT-LB MIN
B11	SOCKET HEAD, 1/2-13 X 4	4	105 FT-LB MIN
B12	SOCKET HEAD, 1/2-13 X 4-3/4	4	105 FT-LB MIN

UNDERSIDE VIEW OF PUMP
(BUILT PRIOR TO MARCH 3, 2009)

NOTES:

1. WATEROUS FURNISHES PUMP WITH B15 PIPE PLUGS INSTALLED IN THESE HOLES, BUT THE APPARATUS BUILDER MAY HAVE REMOVED THEM AND INSTALLED PIPING TO THE DRAIN VALVE.
2. THESE ARE 1/2-13 UNC TAPPED HOLES TO ACCOMMODATE THE USE OF JACKING SCREWS DURING DISASSEMBLY.

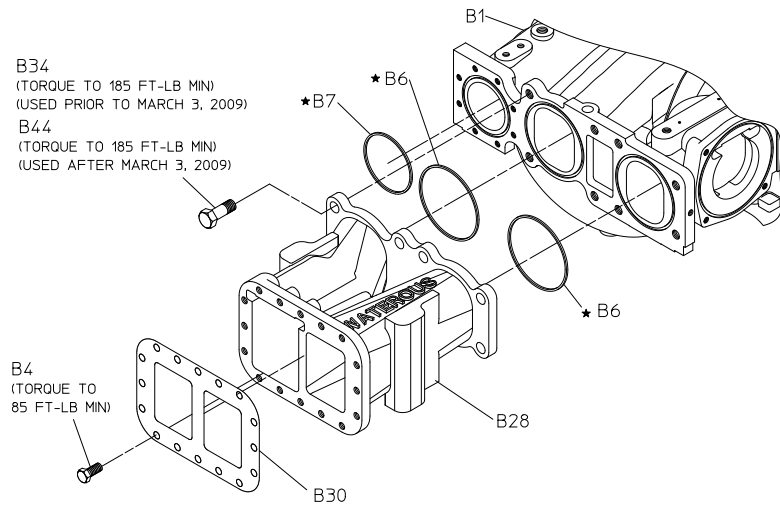
Intake Adapters – Left Side

REF NO.	DESCRIPTION
B1	Body / Cover Subassembly
B4	Hex Hd Screw, 1/2-13 x 1-1/4 in.
B6	Intake Adapter Gasket
B7	Discharge & Crossover Flange Gasket
B16	Pipe Plug, 3/8 NPT
B26	Gasket Kit (Consists of B5, B6, B7, B8 & B41)
B28	Large Intake Adapter – LH
B29	Rear Intake Fitting, 5 in.

REF NO.	DESCRIPTION
B30	Large Intake Fitting Gasket
B31	Rear Intake Fitting Gasket
B32	Hex Hd Screw, 1/2-20 x 2 in.
B33	Hex Hd Screw, 5/8-11 x 2 in.
B34	Hex Hd Screw, 3/4-10 x 2 in.
B35	Hex Nut, 1/2-20
B44	Hex Hd Screw, 3/4-10 x 1-3/4 in. with Threadlocker

B26 GASKET KIT

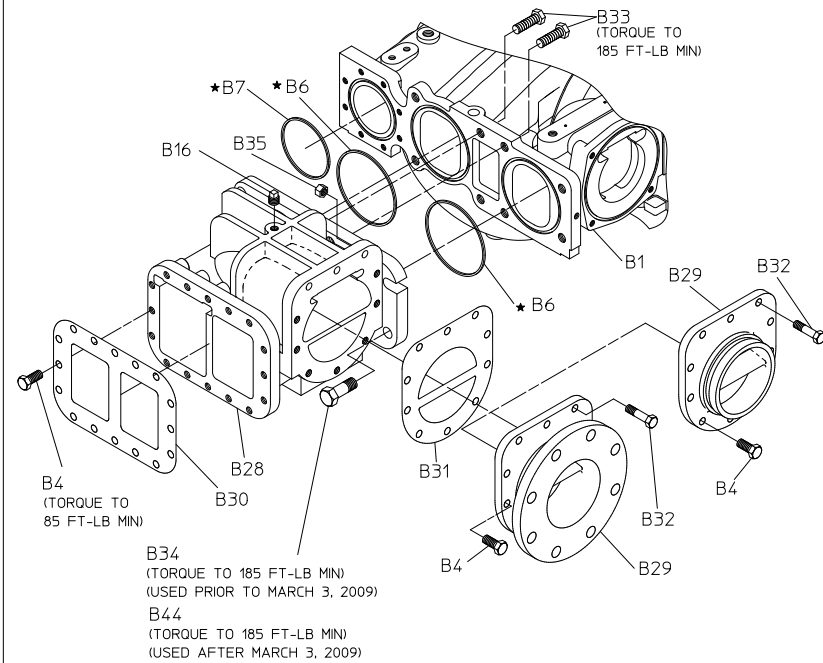
★ PART OF GASKET KIT B26



LEFT SIDE INTAKE ADAPTER

B26 GASKET KIT

★ PART OF GASKET KIT B26

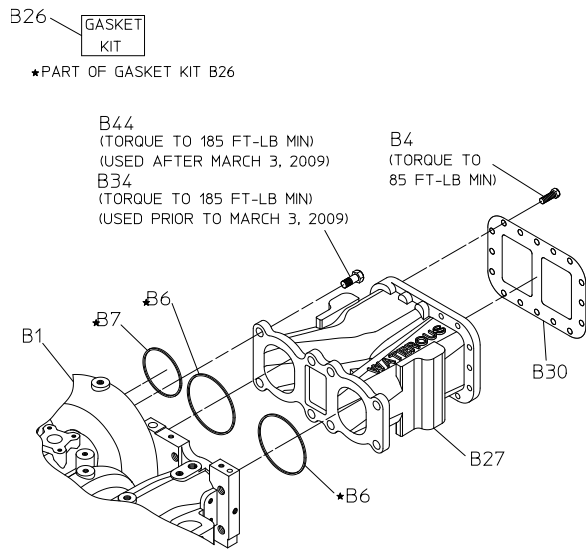


LEFT REAR INTAKE ADAPTER

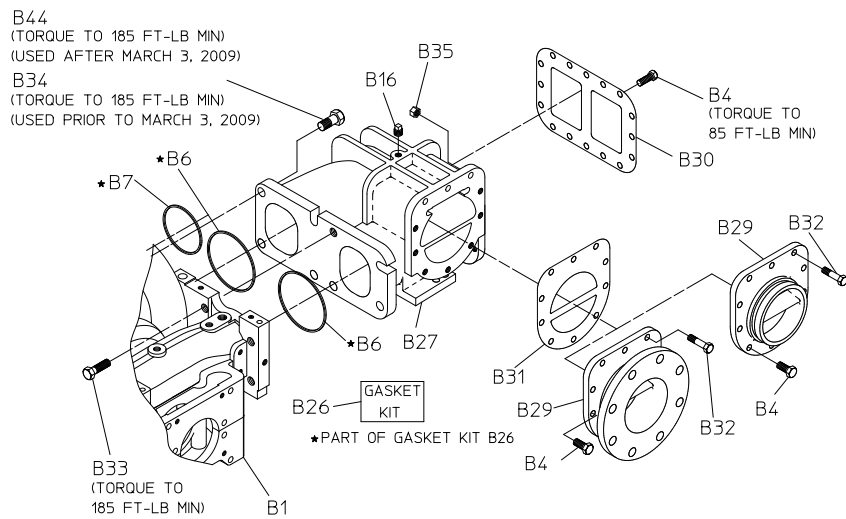
Intake Adapters – Right Side

REF NO.	DESCRIPTION
B1	Body / Cover Subassembly
B4	Hex Hd Screw, 1/2-13 x 1-1/4 in.
B6	Intake Adapter Gasket
B7	Discharge & Crossover Flange Gasket
B16	Pipe Plug, 3/8 NPT
B26	Gasket Kit (Consists of B5, B6, B7, B8 & B41)
B27	Large Intake Adapter – RH
B29	Rear Intake Fitting, 5 in.

REF NO.	DESCRIPTION
B30	Large Intake Fitting Gasket
B31	Rear Intake Fitting Gasket
B32	Hex Hd Screw, 1/2-20 x 2 in.
B33	Hex Hd Screw, 5/8-11 x 2 in.
B34	Hex Hd Screw, 3/4-10 x 2 in.
B35	Hex Nut, 1/2-20
B44	Hex Hd Screw, 3/4-10 x 1-3/4 in. with Threadlocker

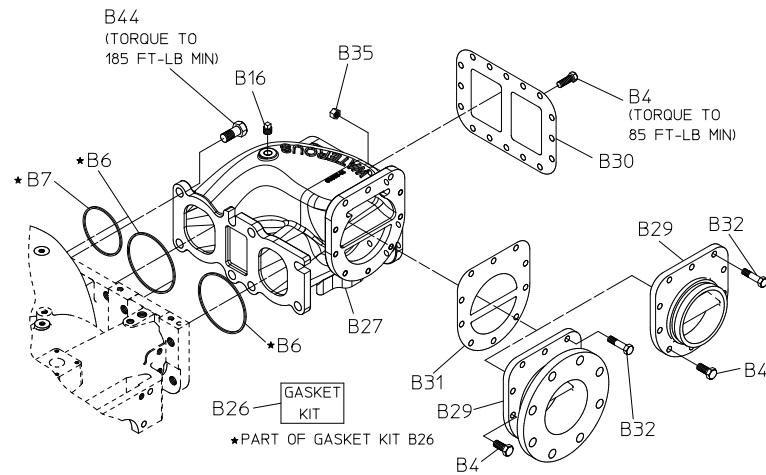


RIGHT SIDE INTAKE ADAPTER



RIGHT REAR INTAKE ADAPTER

(PRIOR TO MARCH 27, 2017)



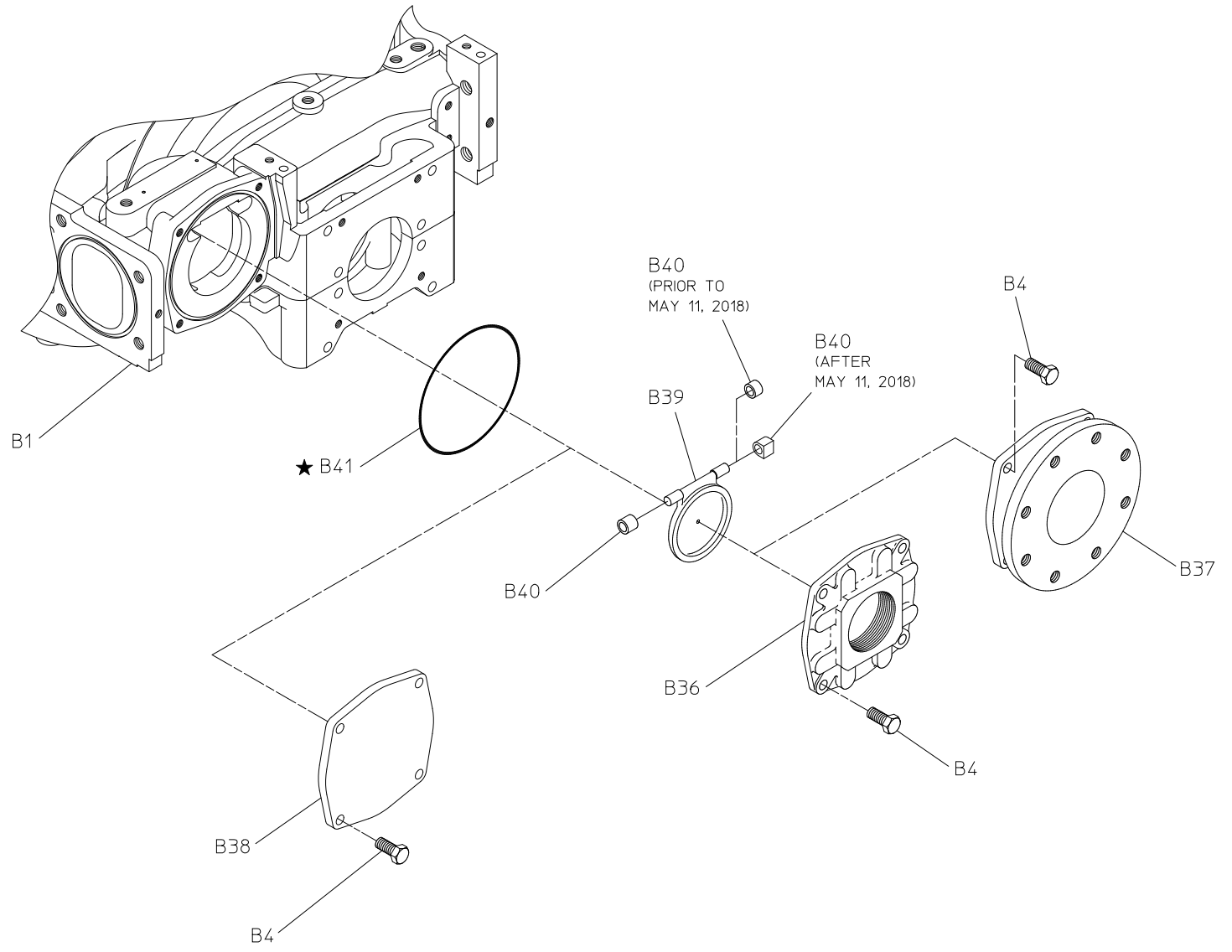
RIGHT REAR INTAKE ADAPTER

(AFTER MARCH 27, 2017)

Tank to Pump Connection

REF NO.	DESCRIPTION
B1	Body / Cover Subassembly
B4	Hex Hd Screw, 1/2-13 x 1-1/4 in.
B26	Gasket Kit (Consists of B5, B6, B7, B8 & B41)
B36	Adapter, 2-1/2 NPT
B36	Adapter, 3 NPT

REF NO.	DESCRIPTION
B37	Adapter, 4 ANSI
B38	Blind Flange
B39	Check Valve
B40	Check Valve Bushing
B41	O-ring, 6-3/4 x 7 in.



B26

GASKET
KIT

★ PART OF GASKET KIT B26

TANK TO PUMP FLANGE COMPONENTS