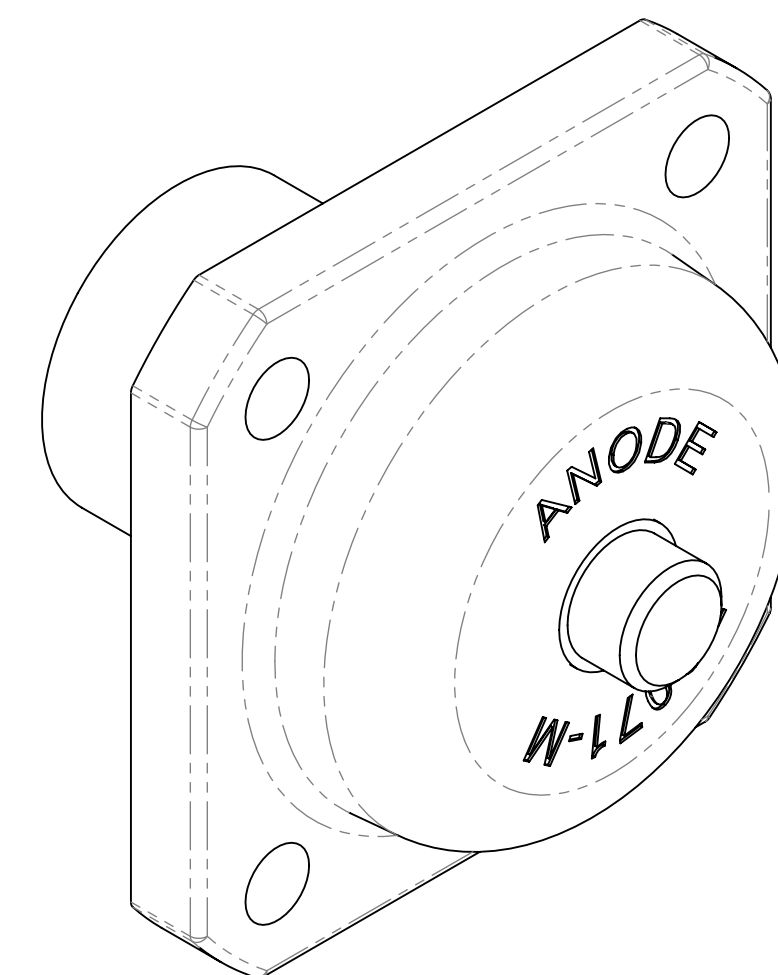


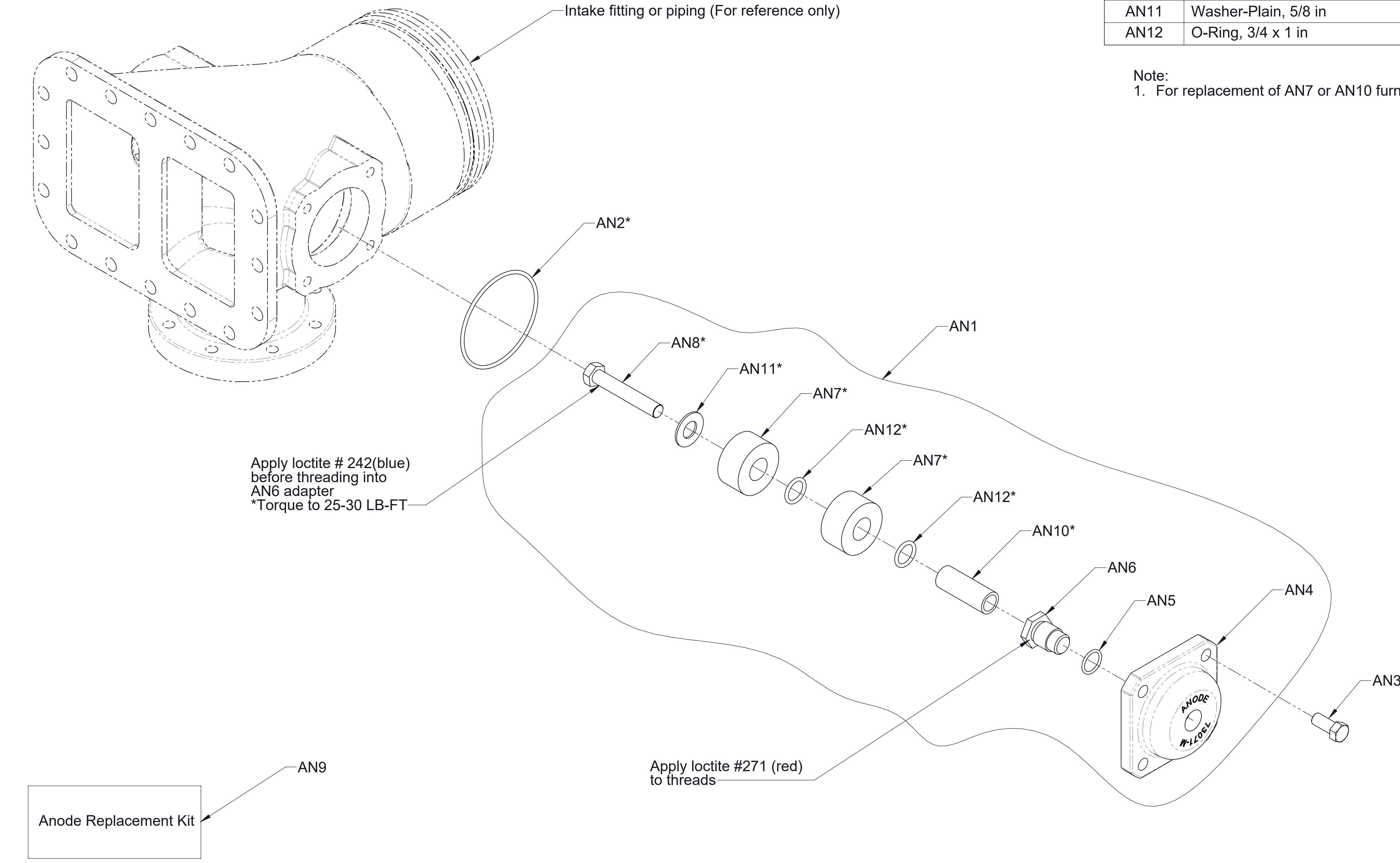
Anode Assembly Service Parts List**Index :**

Anode Assembly	See Sheet
Design After: November 5, 2021	2
Design Prior to: November 5, 2021	3



Ref No.	Description	Qty
AN1	Anode Assembly	1
AN2	O-Ring, 3-1/2 x 3-3/4 in	1
AN3	Screw-Hex Hd, 7/16-14 x 1 in	4
AN4	Flange-Anode	1
AN5	O-Ring, 3/4 x 15/16 in	1
AN6	Adapter-Anode, Threaded	1
AN7	Anode-Magnesium	2
AN8	Screw-Hex Hd, 1/2-13 x 3 in	1
AN9	Anode Replacement Kit	1
AN10	Spacer-Anode	1
AN11	Washer-Plain, 5/8 in	1
AN12	O-Ring, 3/4 x 1 in	2

Note:
 1. For replacement of AN7 or AN10 furnish Anode Replacement Kit (AN9).



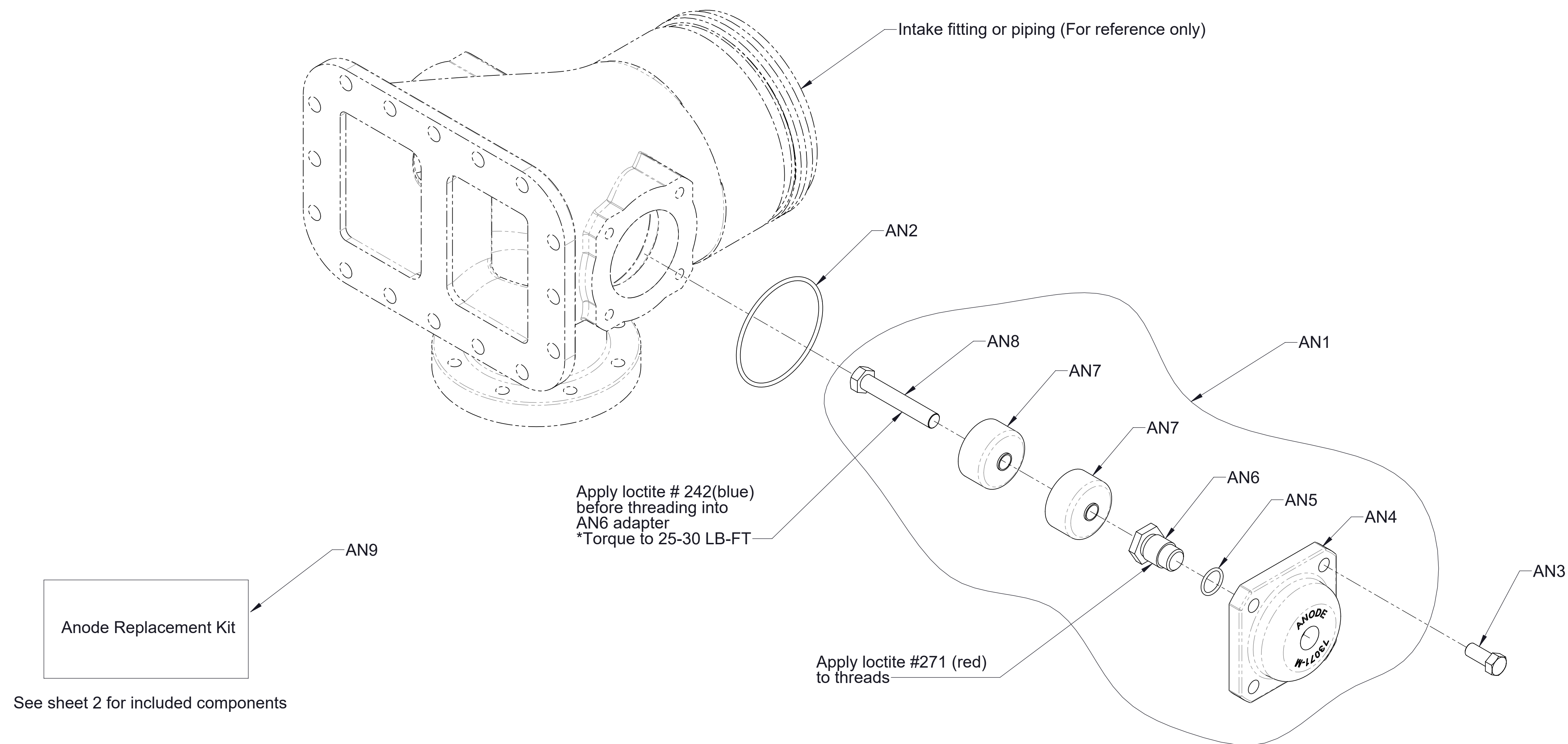
*Part of Anode Replacement Kit

Anode Assembly
 (After November 5, 2021)

Ref No.	Description	Qty
AN1	Anode Assembly	1
AN2	O-Ring, 3-1/2 x 3-3/4 in	1
AN3	Screw-Hex Hd, 7/16-14 x 1 in	4
AN4	Flange-Anode	1
AN5	O-Ring, 3/4 x 15/16 in	1
AN6	Adapter-Anode, Threaded	1
AN7	Anode-Magnesium	2
AN8	Screw-Hex Hd, 1/2-13 x 3 in	1
AN9	Anode Replacement Kit	1

Note:

1. For replacement of AN7 furnish Anode Replacement Kit (AN9). This kit will also convert the anode assembly from the old design to the new design shown on sheet 2.
2. If complete Anode Assembly (AN1) is replaced, the new version shown on sheet 2 will be furnished.



**Anode Assembly
(Prior to November 5, 2021)**