



Document Number	Issue Date	Rev. Date
SPL82939	02/08/07	9/18/14

Standard Model Floto Pump Service Parts List

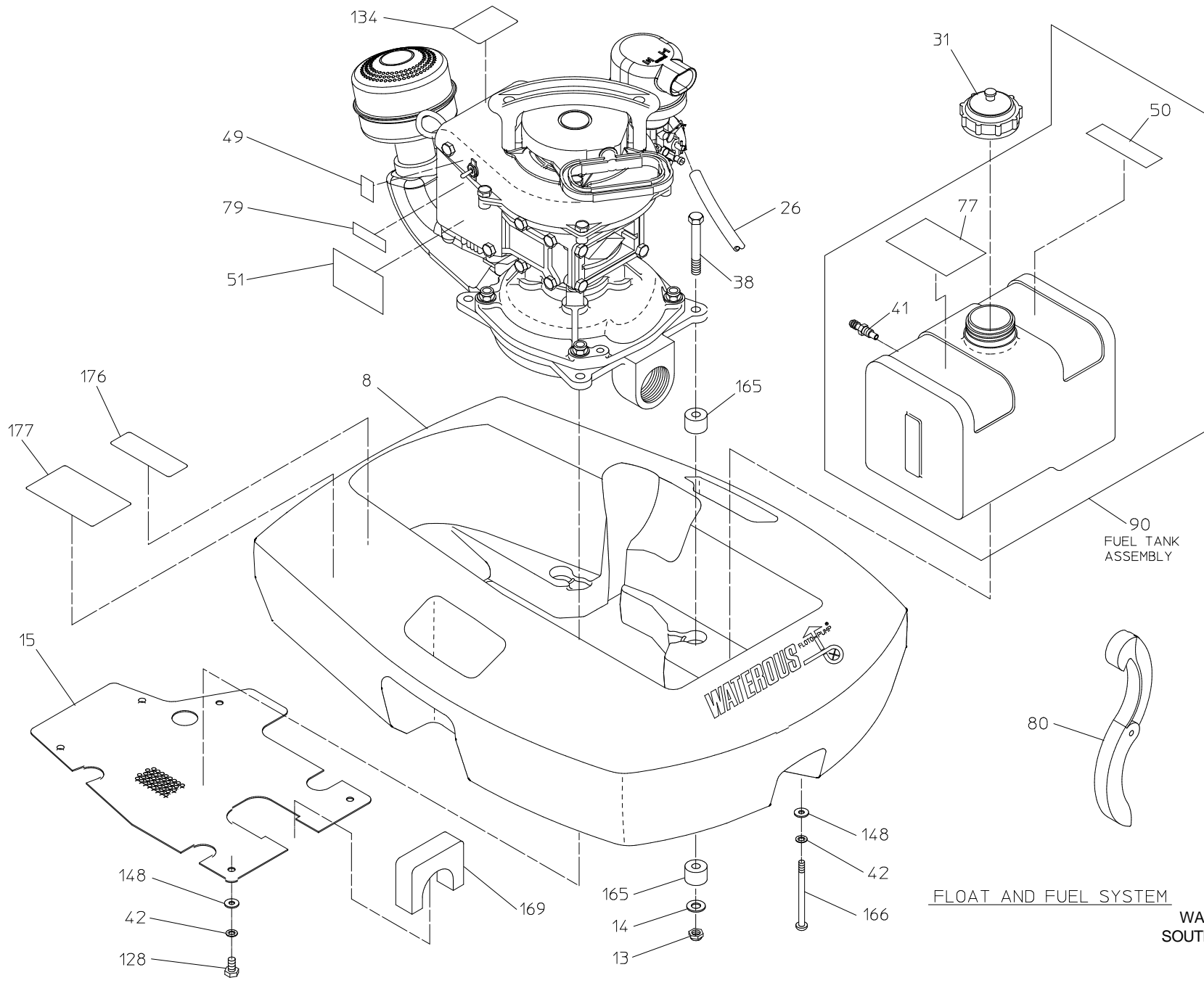
Index:

Components	See Page
Float and Fuel System	2, 3
Exhaust and Air Intake	4, 5
Pump	6, 7
Engine, Starter and Ignition	8, 9
Engine, Carburetor and Power Head	10, 11

Float and Fuel System

REF. NO.	DESCRIPTION
8	Float
13	Nylok hex nut, 3/8-16
14	Plain washer, 3/8 in.
15	Intake screen
26	Fuel line
31	Fuel tank cap
38	Hex hd screw, 3/8-16 x 2-3/4 in.
41	Fuel line filter
42	Internal tooth lock washer, 1/4 in.
49	RUN-STOP decal
50	Fuel mix decal
51	Name plate decal (includes pump serial number)

REF. NO.	DESCRIPTION
77	Hearing protection warning decal
79	Patent decal
80	Folding spanner wrench
90	Fuel tank subassembly (includes ref no. 41, 50 & 77)
128	Hex hd screw, 1/4-20 x 1/2 in.
134	Carbon monoxide warning label
148	Plain washer, 1/4 in.
165	Rubber bushing
166	Pan hd screw, 1/4-20 x 2-3/4 in.
169	Inlet chamber seal
176	Hot warning decal
177	CE marking decal



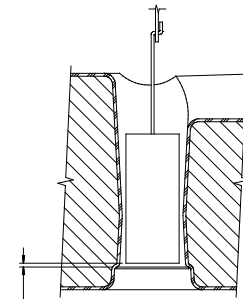
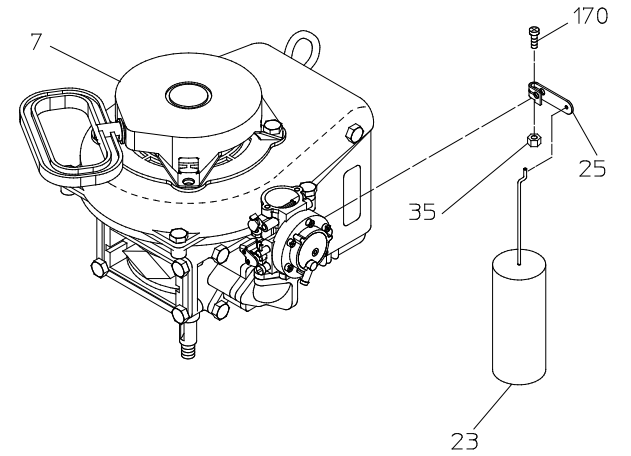
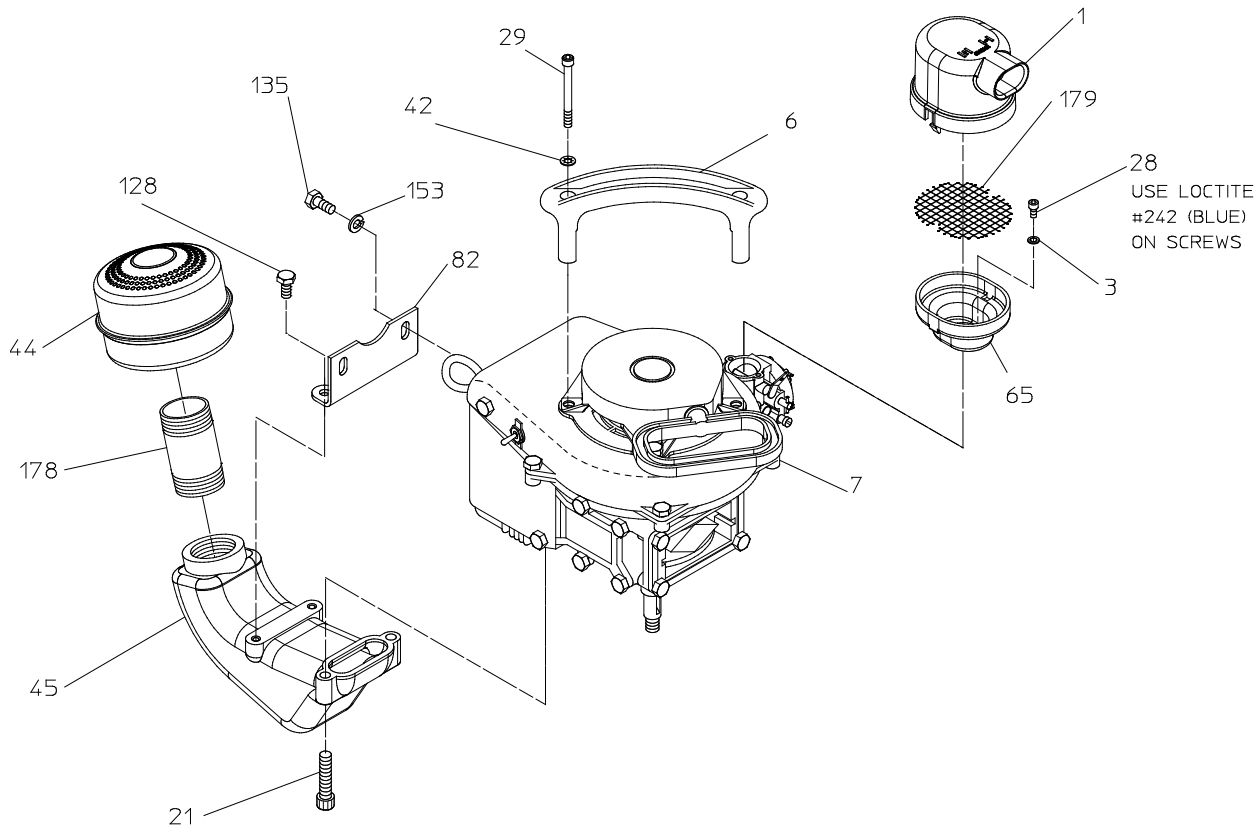
FLOAT AND FUEL SYSTEM

FLOTO PUMP
 SPL82939
 WATEROUS COMPANY
 SOUTH ST. PAUL, MN 55075

Exhaust and Air Intake

REF. NO.	DESCRIPTION
1	Air intake cover
3	Internal tooth lock washer, no. 10
6	Lifting handle
7	Engine
21	Socket hd screw, 5/16-18 x 1-1/2 in.
23	Throttle control float
25	Throttle arm
28	Socket hd screw, no. 10-32 x 3/8 in.
29	Socket hd screw, 1/4-20 x 2-1/2 in.
35	Self-locking nut, no. 10-24
42	Internal tooth lock washer, 1/4 in.

REF. NO.	DESCRIPTION
44	Muffler
45	Exhaust adapter
65	Air intake base
82	Muffler bracket
128	Hex hd screw, 1/4-20 x 1/2 in.
135	Hex hd screw, 1/4-20 x 5/8 in.
153	Lock washer, 1/4 in.
170	Fillister hd screw, no. 10-24 x 5/8 in.
178	Pipe nipple, 1-1/4 NPT x 5 in.
179	Air intake screen



WITH THROTTLE CLOSED, SET THE THROTTLE CONTROL ARM SO THAT THE FLOAT COMES WITHIN 1/8 IN. OF THE SCREEN

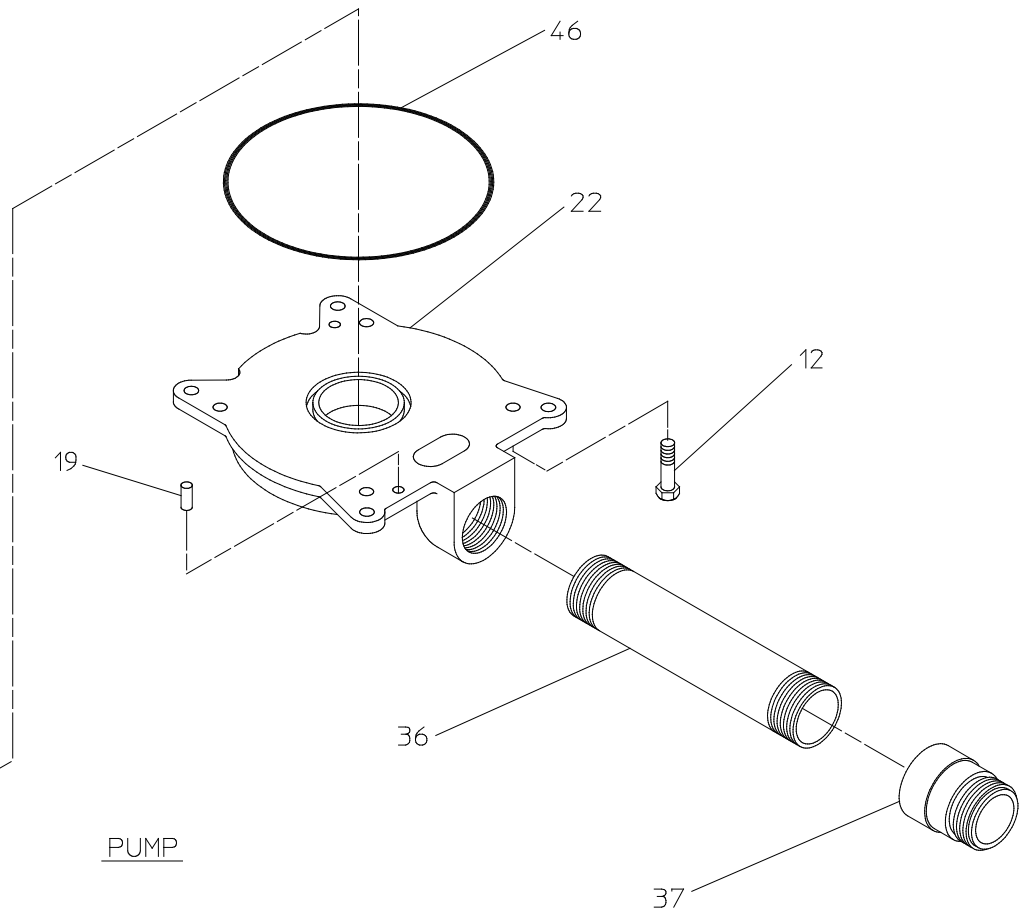
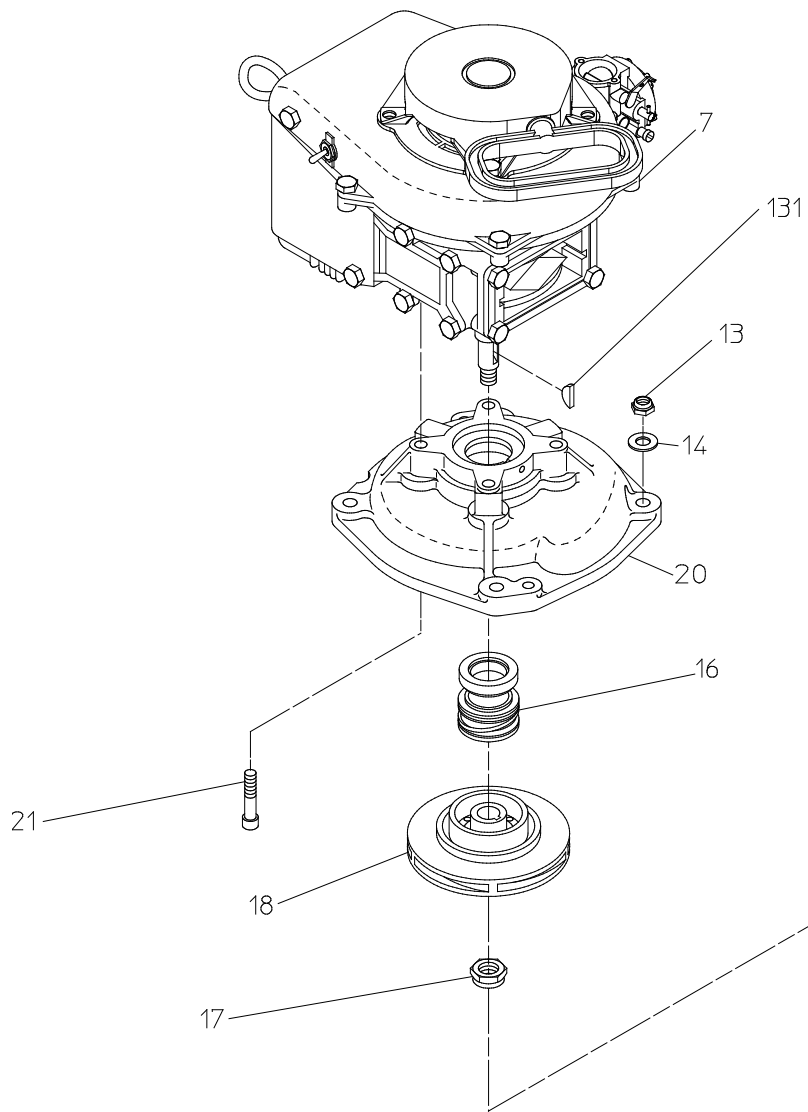
EXHAUST AND AIR INTAKE

FLOTO PUMP
SPL82939
WATEROUS COMPANY
SOUTH ST. PAUL, MN 55075

Pump

REF. NO.	DESCRIPTION
7	Engine
12	Hex hd screw, 3/8-16 x 1-1/2 in.
13	Nylok hex nut, 3/8-16
14	Plain washer, 3/8 in.
16	Mechanical seal
17	Self-locking nut, 9/16-18
18	Impeller
19	Dowel pin, SS, 5/16 x 3/4 in.
20	Upper volute body

REF. NO.	DESCRIPTION
21	Socket hd screw, 5/16-18 x 1-1/2 in.
22	Lower volute body
36	Discharge nipple, 1-1/2 NPSH x 11 in., or 1-1/2 BSP x 11 in., or 1-1/2 NPT x 8-7/8 in. (1-1/2 NPT x 8-7/8 in. nipple requires ref. no. 37 nozzle)
37	Discharge nozzle, 1-1/2 NH (not used with ref. no. 36 NPSH or BSP discharge nipples)
46	O-ring, 7-1/4 x 7-1/2 in.
131	Woodruff key

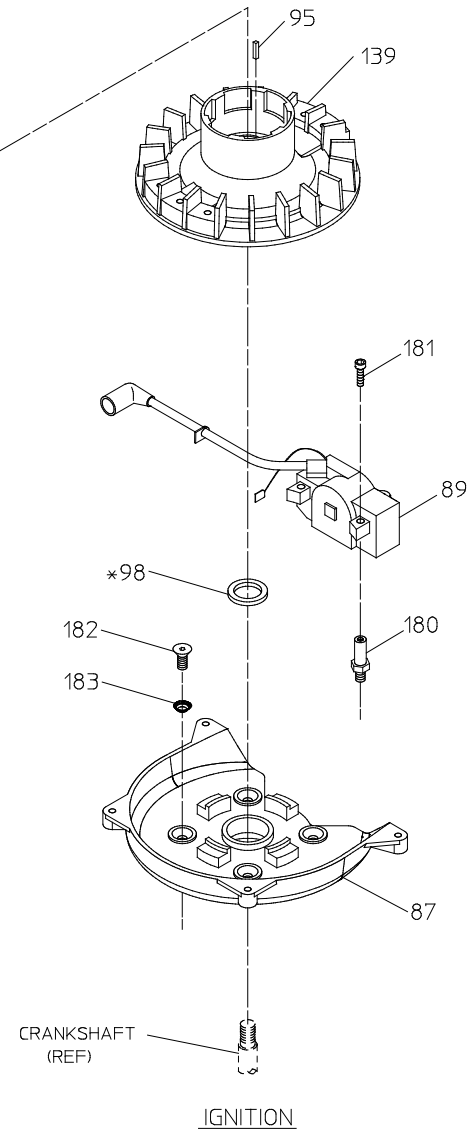
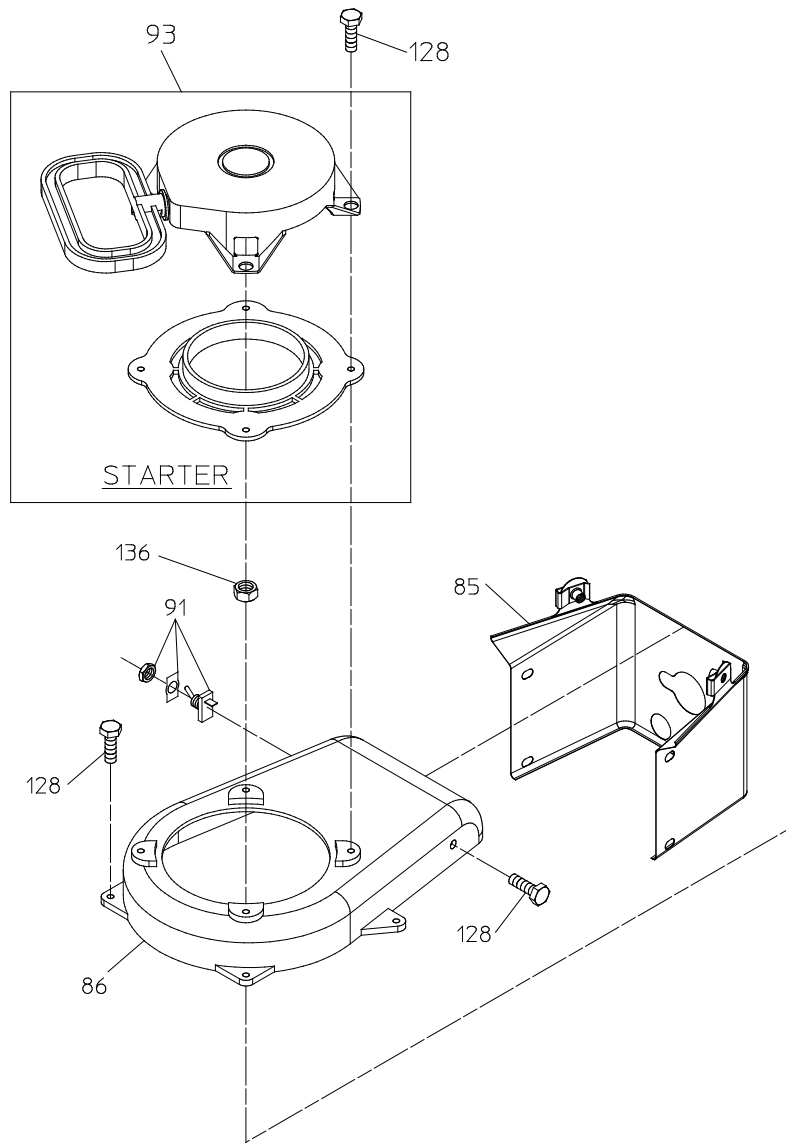


FLOTO PUMP
 SPL82939
 WATEROUS COMPANY
 SOUTH ST. PAUL, MN 55075

Engine - Starter and Ignition

REF. NO.	DESCRIPTION
85	Cylinder cover (Includes decals)
86	Fan housing (Includes decals)
87	Support plate
89	Ignition coil assembly
91	Ignition switch
93	Starter
95	Flywheel key
98	Magneto end seal
128	Hex hd screw with serrated flange, 1/4-20 x 1/2 in.

REF. NO.	DESCRIPTION
136	Hex nut, 7/16-20
139	Flywheel
180	Ignition stud
181	Socket hd screw, #10-32 x 3/4 in.
182	Flat hd screw, 1/4-20 x 5/8 in.
183	Countersunk lock washer, 1/4 in.



NOTE: ENGINE PARTS DESIGNATED BY A REF. NO. CAN BE SUPPLIED BY WATEROUS COMPANY OR A U.S. MOTOR POWER BEE DISTRIBUTOR OR DEALER. PARTS WITHOUT A REF. NO. CAN BE SUPPLIED BY U.S. MOTOR POWER ONLY. SEE U.S. MOTOR POWER'S SERVICE MANUAL FOR INFORMATION ON OBTAINING THESE PARTS.

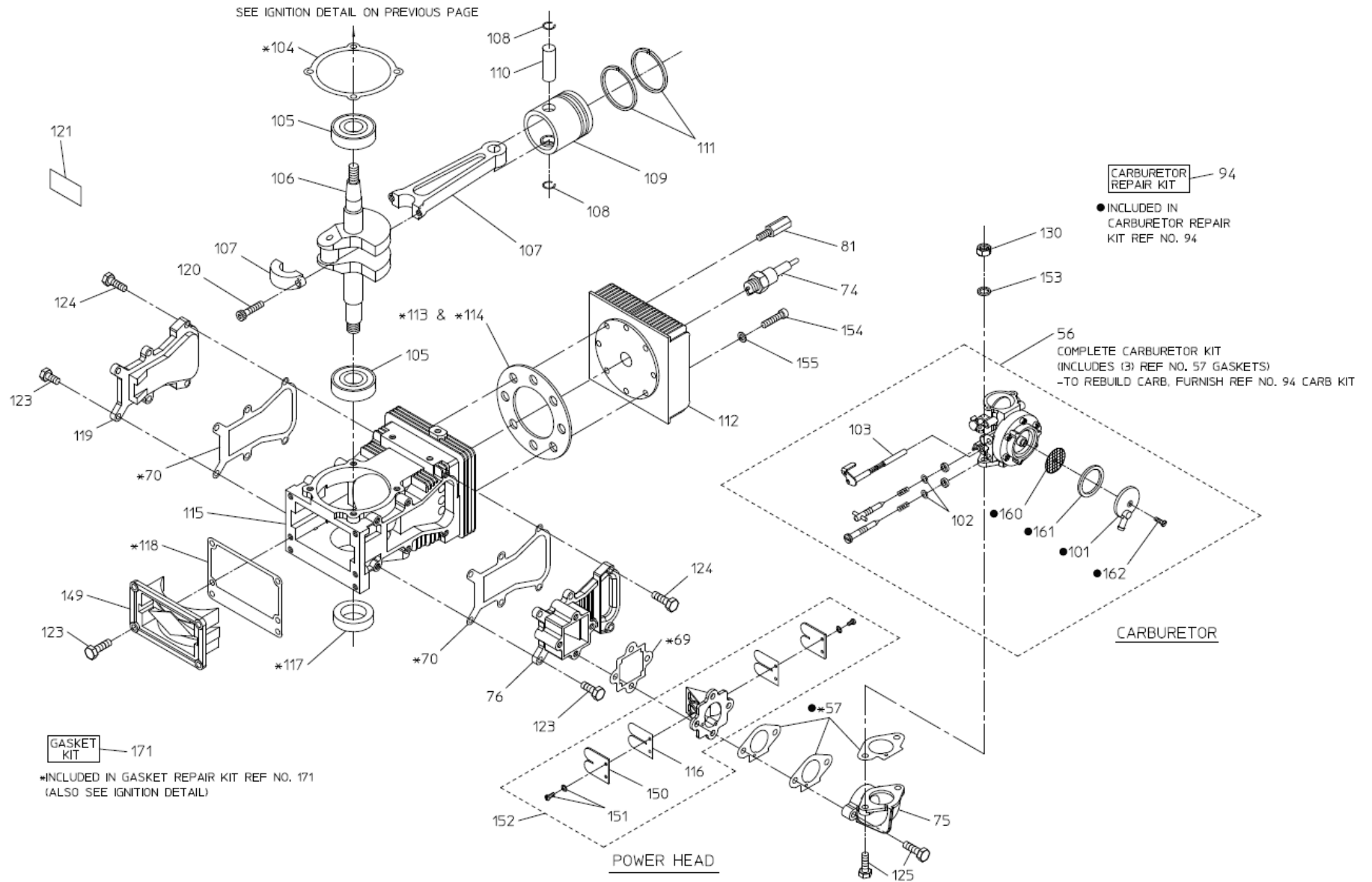
*INCLUDED IN GASKET REPAIR KIT REF NO. 171
(ALSO SEE POWER HEAD DETAIL)

FLOTO PUMP
SPL82939
WATEROUS COMPANY
SOUTH ST. PAUL, MN 55075

Engine - Carburetor and Power Head

REF. NO.	DESCRIPTION
56	Complete carburetor
57	Carburetor gasket
69	Manifold gasket
70	Transfer port cover gasket
74	Spark plug (Champion RL-86C)
75	Carburetor adapter elbow
76	Manifold
81	Head bolt stud
94	Carburetor repair parts kit (Includes 57, 101, 160, 161 & 162)
101	Fuel strainer cover
102	Main adjustment screw washer
103	Throttle shaft and lever
104	Bearing cage gasket
105	Ball bearing
106	Crankshaft
107	Connecting rod with cap
108	Retaining ring
109	Piston
110	Piston pin
111	Piston ring set
112	Cylinder head
113	Head gasket, .032 in. thick
114	Head gasket, .062 in. thick

REF. NO.	DESCRIPTION
115	Cylinder with seal
116	Reed
117	Drive end seal
118	Crankcase cover gasket
119	Transfer port cover
120	Connecting rod screw
121	Crankpin roller set
123	Hex hd screw with serrated flange, 1/4-20 x 5/8 in.
124	Hex hd screw with serrated flange, 1/4-20 x 3/4 in.
125	Hex hd screw with serrated flange, 1/4-20 x 1 in.
130	Hex nut, 1/4-20
149	Crankcase cover
150	Reed stop
151	Round hd screw with lock washer, no. 6-32 x 5/16 in.
152	Reed plate (includes 116, 150 & 151)
153	Spring lock washer, 1/4 in.
154	Socket hd screw, 1/4-20 x 1 in.
155	Plain washer, 1/4 in.
160	Fuel strainer screen
161	Fuel strainer cover gasket
162	Hex hd screw, no. 6-32 x 7/16 in.
171	Power head gasket and seal kit (Includes 57, 69, 70, 104, 113, 114, 117 & 118)



FLOTO PUMP
SPL82939
WATEROUS COMPANY
SOUTH ST. PAUL, MN 55075