



Document Number	Issue Date	Rev. Date
<b>SPL82944</b>	<b>01/24/07</b>	<b>7/28/16</b>

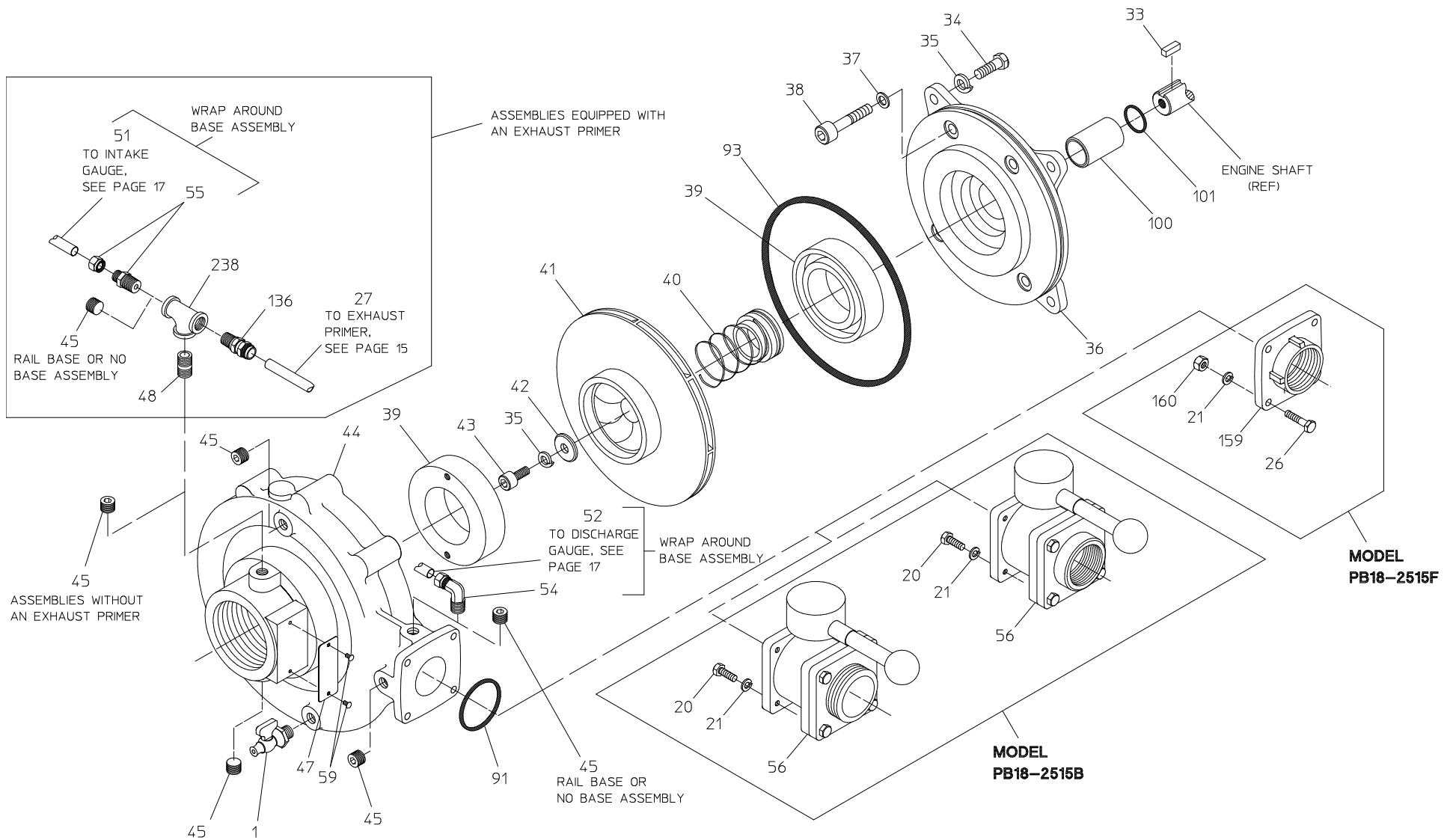
## PB18 Series Portable Pump Service Parts List

Component	Pump Model <i>(Located on Serial Plate)</i>	See Page	
		Exploded View	Cross Section View
Pump	PB18-2515B	2, 3	4, 5
	PB18-2515F		
	PB18-303C	6, 7	10, 11
	PB18-3030E		
	PB18-4025B		
Muffler	All	12, 13	
Exhaust Primer	All	14, 15	
Instrument Panel	All	16, 17	
Wrap-Around Base	All	18, 19	
Rail Base	All	20, 21	
No Base	All		
Wiring Schematic	All	22, 23	

## Pump Assembly for PB18-2515B & PB18-2515F

REF. NO.	DESCRIPTION
1	Drain Cock
20	Hex Hd Screw, 1/4-20 x 3/4 in.
21	Lock Washer, 1/4 in.
26	Hex Hd Screw, 1/4-20 x 1-1/4 in.
27	Poly Tubing, 3/8 O.D.
33	Square Key, 1/4 x 3/4 in.
34	Hex Hd Screw, 3/8-16 x 1 in.
35	Lock Washer, 3/8 in.
36	Engine Adapter
37	Copper Washer, 3/8 in.
38	Socket Hd Screw, 3/8-16 x 2 in.
39	Wear Ring
40	Mechanical Seal
41	Impeller
42	Impeller Washer
43	Socket Hd Screw, 3/8-24 x 1 in.
44	Volute Body

REF. NO.	DESCRIPTION
45	Headless Pipe Plug, 1/4 in.
47	Serial Plate
48	Pipe Nipple, 1/4 x 7/8 in.
51	Nylon Tubing, 1/4 O.D., 32 in.
52	Nylon Tubing, 1/4 O.D., 37 in.
54	Male Elbow, 1/4 NPT x 1/4 Tube
55	Male Connector, 1/4 NPT x 1/4 Tube
56	Ball Valve, 1-1/2 NH (M) or 1-1/2 NPT (F)
59	Drive Screw, #6 x 1/4 in.
91	O-ring, 2-3/4 x 2-15/16 in.
93	O-ring, 7-3/4 x 8 in.
100	Shaft Sleeve
101	O-ring, 1 x 1-1/8 in.
136	Male Connector, 3/8 Tube
159	Ball Valve Adapter, 1-1/2 NPT (F)
160	Hex Nut, 1/4-20
238	Pipe Tee, 1/4 in.



**PUMP ASSEMBLY FOR  
MODELS PB18-2515B & PB18-2515F**

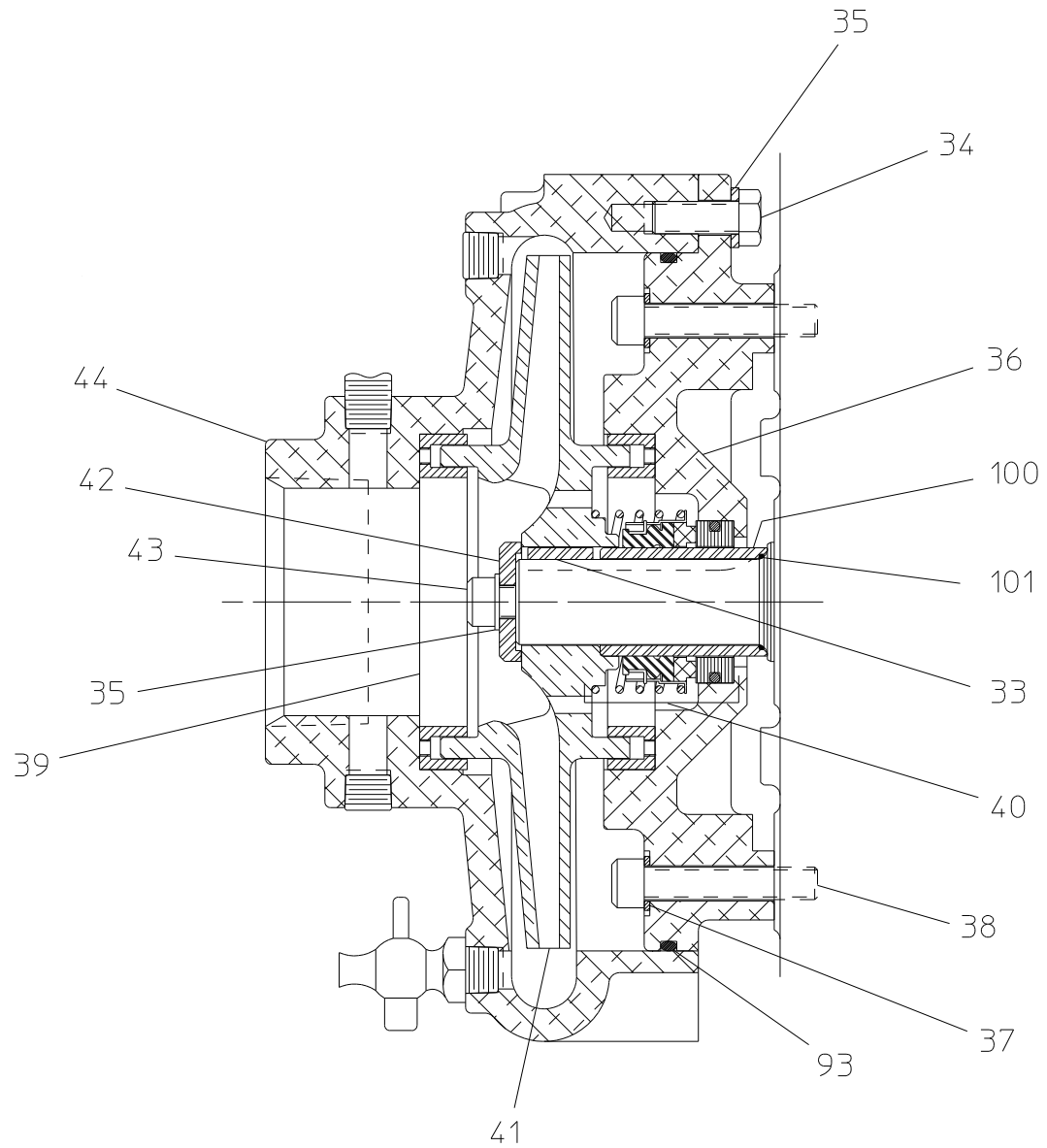
(SEE PAGE 5 FOR PUMP ASSEMBLY CROSS SECTION VIEW)

PORTABLE PUMP ASSEMBLY  
SPL82944  
WATEROUS COMPANY  
SOUTH ST. PAUL, MN 55075

## Pump Assembly Cross-Section for PB18-2515B & PB18-2515F

REF. NO.	DESCRIPTION
33	Square Key, 1/4 x 3/4 in.
34	Hex Hd Screw, 3/8-16 x 1 in.
35	Lock Washer, 3/8 in.
36	Engine Adapter
37	Copper Washer, 3/8 in.
38	Socket Hd Screw, 3/8-16 x 2 in.
39	Wear Ring
40	Mechanical Seal

REF. NO.	DESCRIPTION
41	Impeller
42	Impeller Washer
43	Socket Hd Screw, 3/8-24 x 1 in.
44	Volute Body
93	O-ring, 7-3/4 x 8 in.
100	Shaft Sleeve
101	O-ring, 1 x 1-1/8 in.



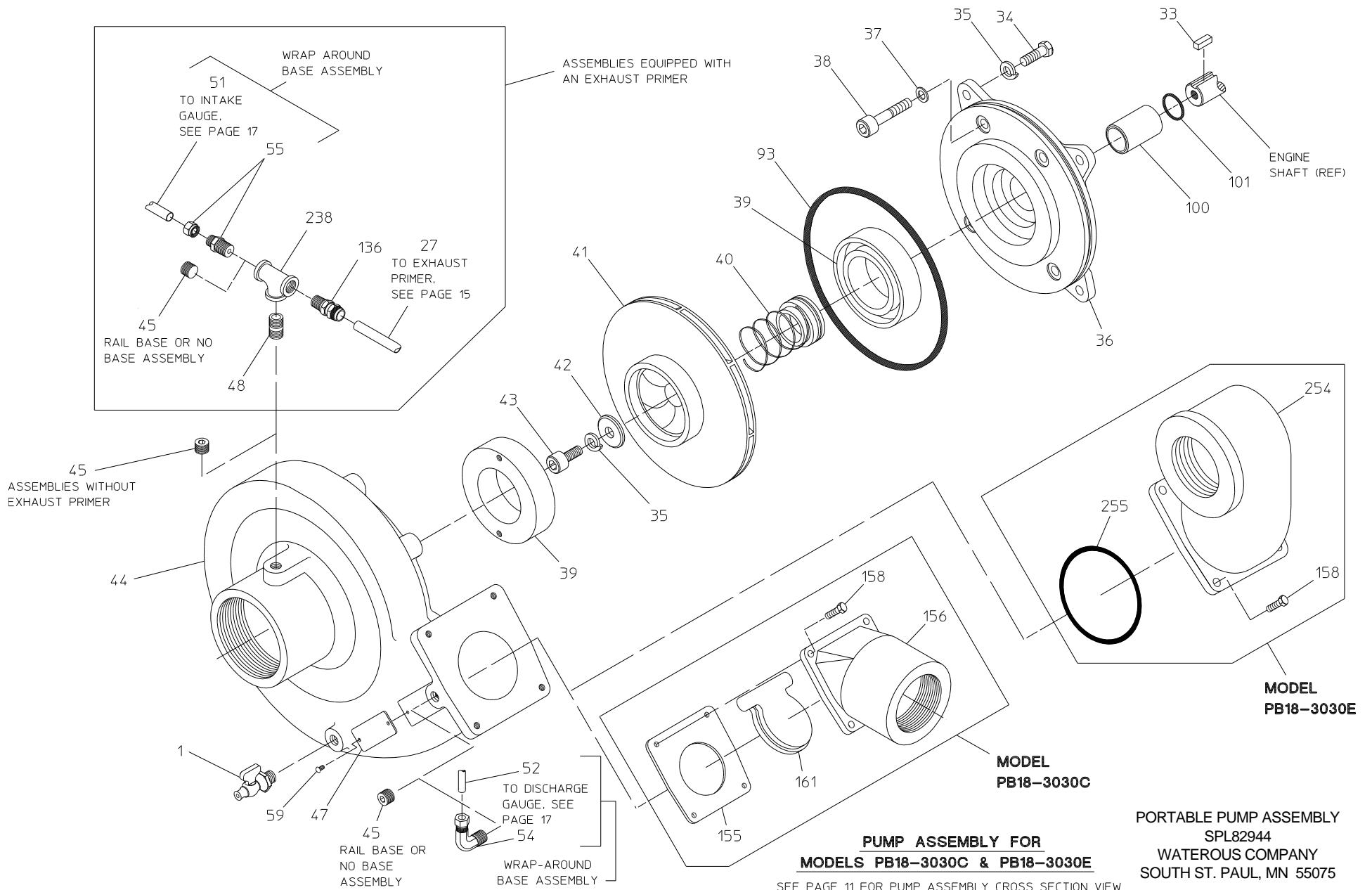
**PUMP ASSEMBLY CROSS SECTION**  
**MODELS PB18-2515B & PB18-2515F**

PORTABLE PUMP ASSEMBLY  
 SPL82944  
 WATEROUS COMPANY  
 SOUTH ST. PAUL, MN 55075

## Pump Assembly for PB18-3030C & PB18-3030E

REF. NO.	DESCRIPTION
1	Drain Cock
27	Poly Tubing, 3/8 O.D.
33	Square Key, 1/4 x 3/4 in.
34	Hex Hd Screw, 3/8-16 x 1 in.
35	Lock Washer, 3/8 in.
36	Engine Adapter
37	Copper Washer, 3/8 in.
38	Socket Hd Screw, 3/8-16 x 2 in.
39	Wear Ring
40	Mechanical Seal
41	Impeller
42	Impeller Washer
43	Socket Hd Screw, 3/8-24 x 1 in.
44	Volute Body
45	Headless Pipe Plug, 1/4 in.
47	Serial Plate
48	Pipe Nipple, 1/4 x 7/8 in.

REF. NO.	DESCRIPTION
51	Nylon Tubing, 1/4 O.D., 32 in.
52	Nylon Tubing, 1/4 O.D., 37 in.
54	Male Elbow, 1/4 NPT x 1/4 Tube
55	Male Connector, 1/4 NPT x 1/4 Tube
59	Drive Screw, #6 x 1/4 in.
93	O-ring, 7-3/4 x 8 in.
100	Shaft Sleeve
101	O-ring, 1 x 1-1/8 in.
136	Male Connector, 3/8 Tube
155	Gasket
156	Elbow, 3 NPT
158	Hex Hd Screw, 2/16-18 x 1 in.
161	Check Valve
238	Pipe Tee, 1/4 in.
254	Discharge Extension, 3 NPT
255	O-ring, 3-5/8 x 3-7/8 in.

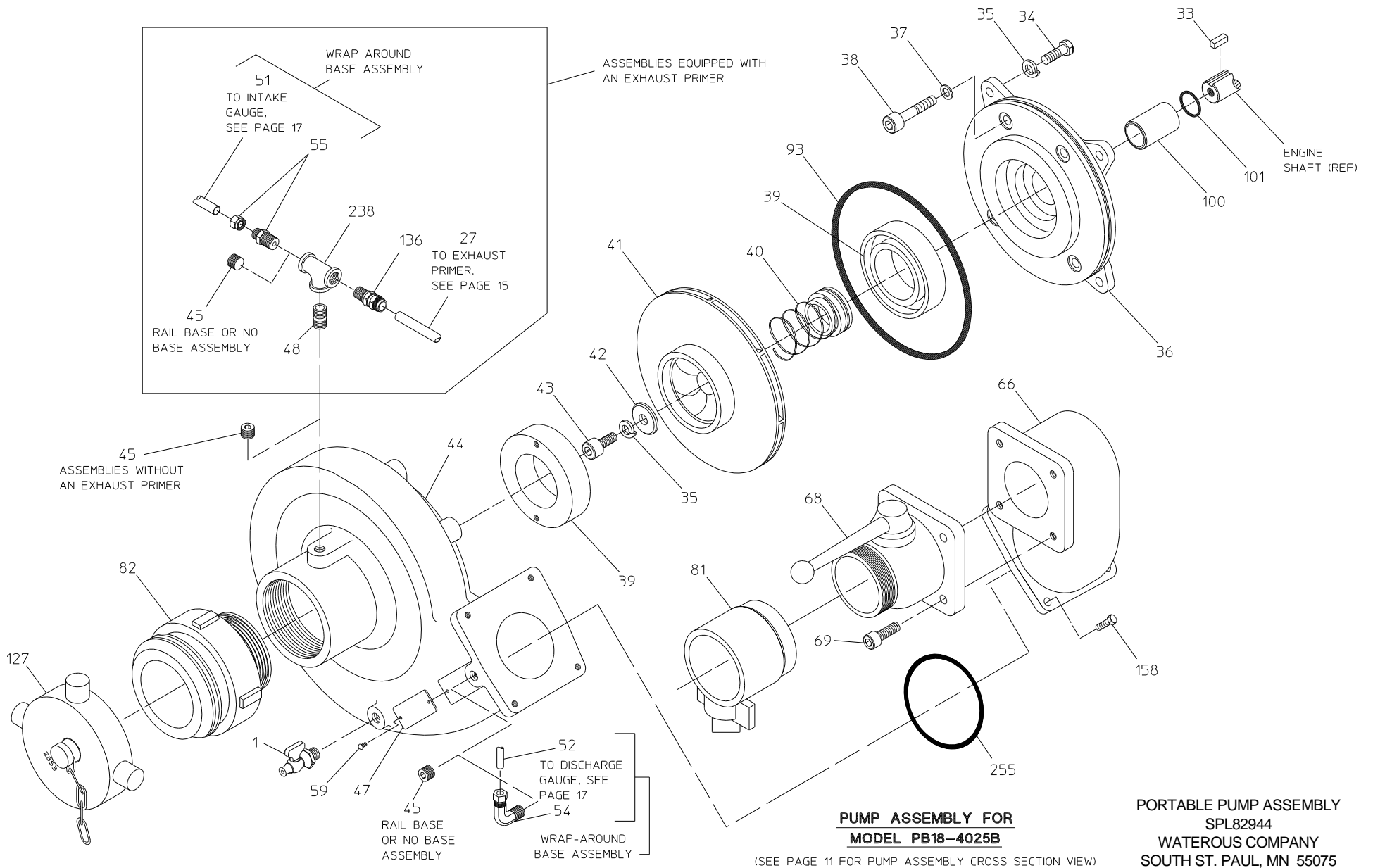


## Pump Assembly for PB18-4025B

REF. NO.	DESCRIPTION
1	Drain Cock
27	Poly Tubing, 3/8 O.D.
33	Square Key, 1/4 x 3/4 in.
34	Hex Hd Screw, 3/8-16 x 1 in.
35	Lock Washer, 3/8 in.
36	Engine Adapter
37	Copper Washer, 3/8 in.
38	Socket Hd Screw, 3/8-16 x 2 in.
39	Wear Ring
40	Mechanical Seal
41	Impeller
42	Impeller Washer
43	Socket Hd Screw, 3/8-24 x 1 in.
44	Volute Body
45	Headless Pipe Plug, 1/4 in.
47	Serial Plate
48	Pipe Nipple, 1/4 x 7/8 in.

REF. NO.	DESCRIPTION
51	Nylon Tubing, 1/4 O.D., 32 in.
52	Nylon Tubing, 1/4 O.D., 37 in.
54	Male Elbow, 1/4 NPT x 1/4 Tube
55	Male Connector, 1/4 NPT x 1/4 Tube
59	Drive Screw, #6 x 1/4 in.
66	Discharge Extension Flange, 110mm
68	Ball Valve, 110mm x 2-1/2 BSP
69	Socket Hd Screw, 10mm x 30mm
81	Adapter, 2-1/2 BSP x 2-1/2 BIC
82	Adapter, 3 NPT x 4 BSRT
93	O-ring, 7-3/4 x 8 in.
100	Shaft Sleeve
101	O-ring, 1 x 1-1/8 in.
127	Blind Cap with Chain, 4 BSRT
136	Male Connector, 3/8 Tube
158	Hex Hd Screw, 2/16-18 x 1 in.
238	Pipe Tee, 1/4 in.
255	O-ring, 3-5/8 x 3-7/8 in.





**PUMP ASSEMBLY FOR  
MODEL PB18-4025B**

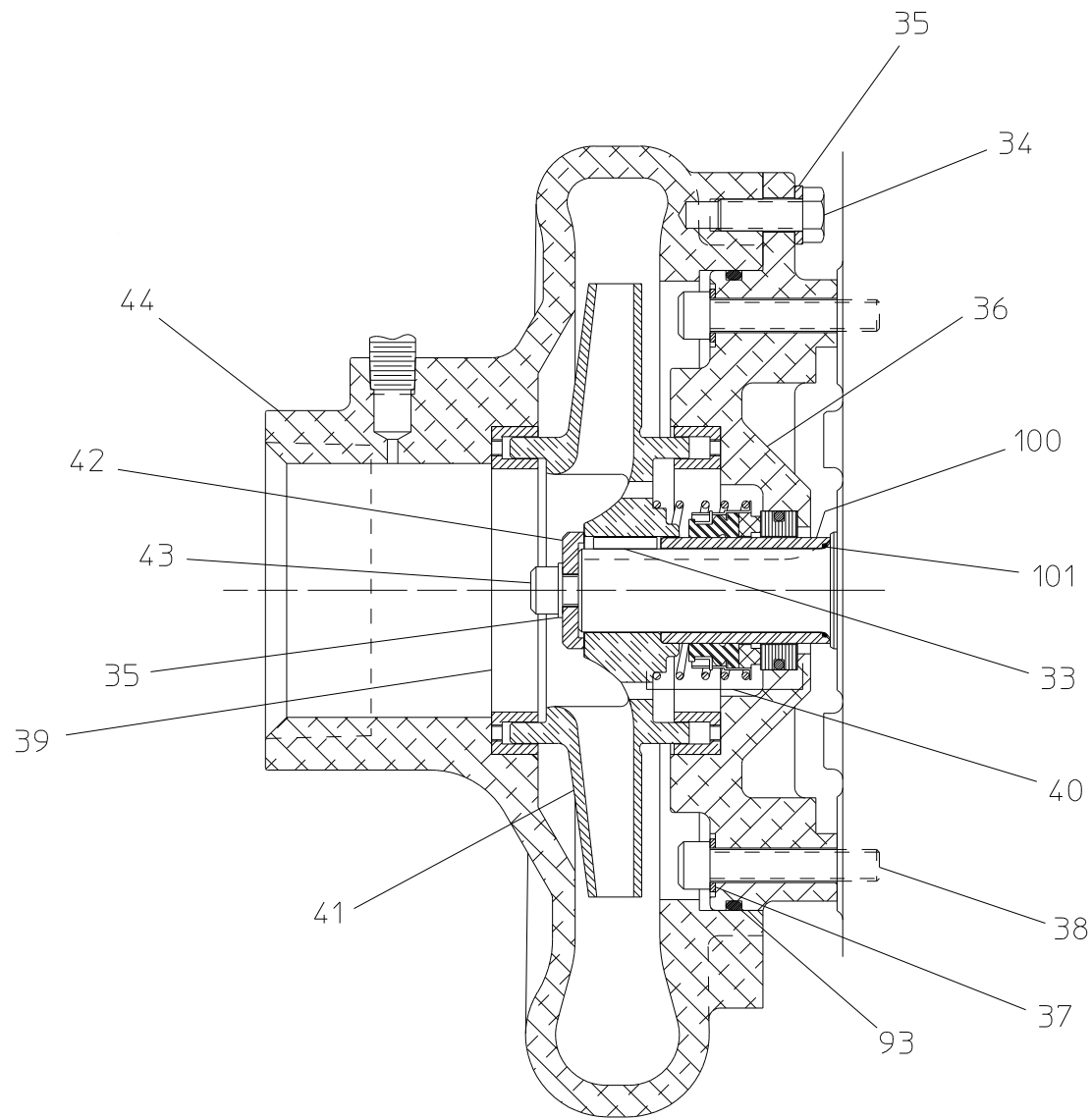
(SEE PAGE 11 FOR PUMP ASSEMBLY CROSS SECTION VIEW)

PORTABLE PUMP ASSEMBLY  
SPL82944  
WATEROUS COMPANY  
SOUTH ST. PAUL, MN 55075

## Pump Assembly Cross-Section for PB18-3030C, PB18-3030E & PB18-4025B

REF. NO.	DESCRIPTION
33	Square Key, 1/4 x 3/4 in.
34	Hex Hd Screw, 3/8-16 x 1 in.
35	Lock Washer, 3/8 in.
36	Engine Adapter
37	Copper Washer, 3/8 in.
38	Socket Hd Screw, 3/8-16 x 2 in.
39	Wear Ring
40	Mechanical Seal

REF. NO.	DESCRIPTION
41	Impeller
42	Impeller Washer
43	Socket Hd Screw, 3/8-24 x 1 in.
44	Volute Body
93	O-ring, 7-3/4 x 8 in.
100	Shaft Sleeve
101	O-ring, 1 x 1-1/8 in.



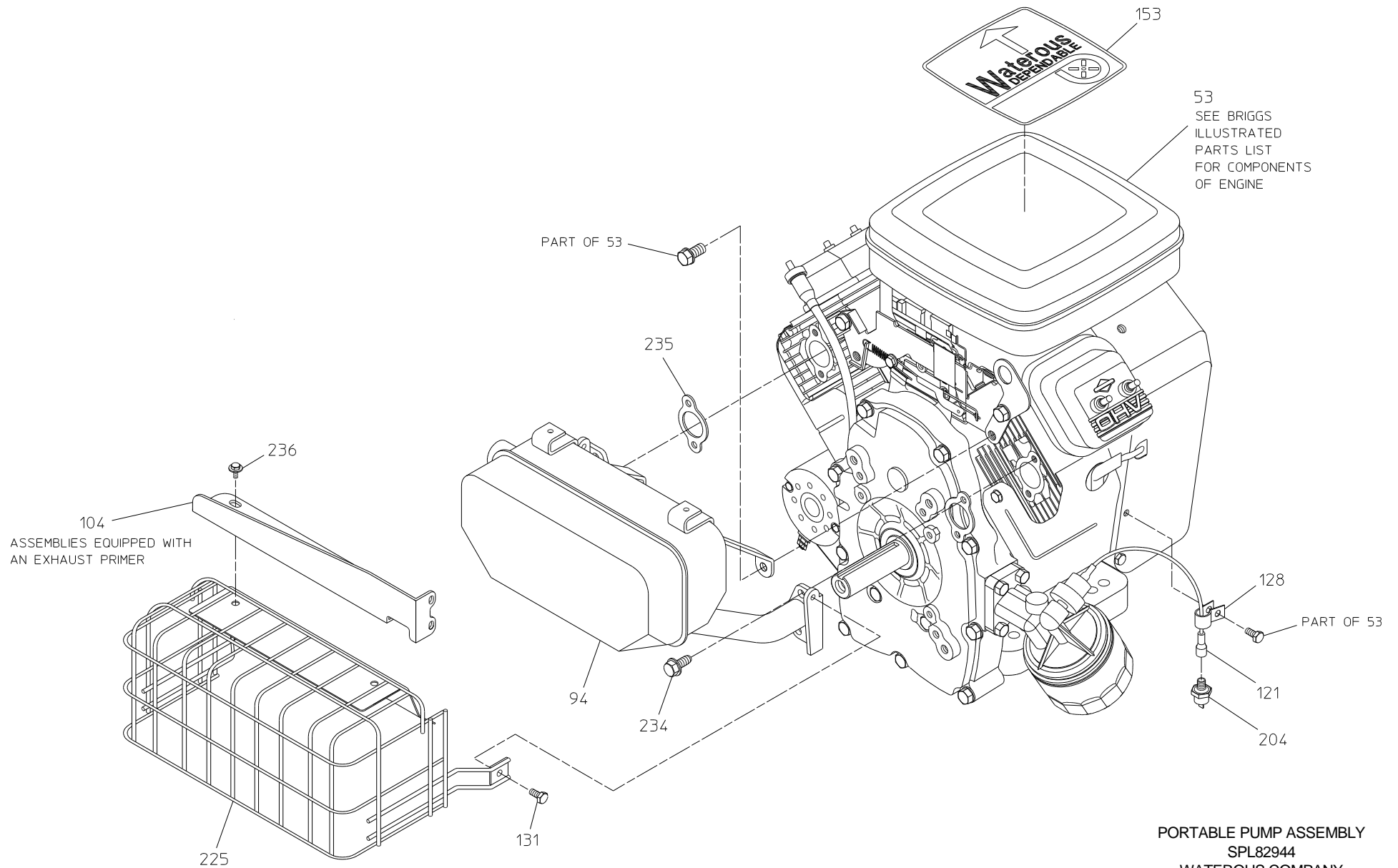
**PUMP ASSEMBLY CROSS SECTION**  
**MODELS PB18-3030C, PB18-3030E & PB18-4025B PUMPS**

PORTABLE PUMP ASSEMBLY  
 SPL82944  
 WATEROUS COMPANY  
 SOUTH ST. PAUL, MN 55075

## Engine & Muffler

REF. NO.	DESCRIPTION
53	Engine - 18 HP
94	Muffler
104	Primer Base
121	Oil Pressure Switch Wire Assembly
128	Wire Clamp
131	Self-Locking Screw

REF. NO.	DESCRIPTION
153	Vanguard Decal
204	Oil Pressure Switch
225	Muffler Guard
234	Muffler Screw
235	Muffler Gasket
236	Muffler Guard Screw



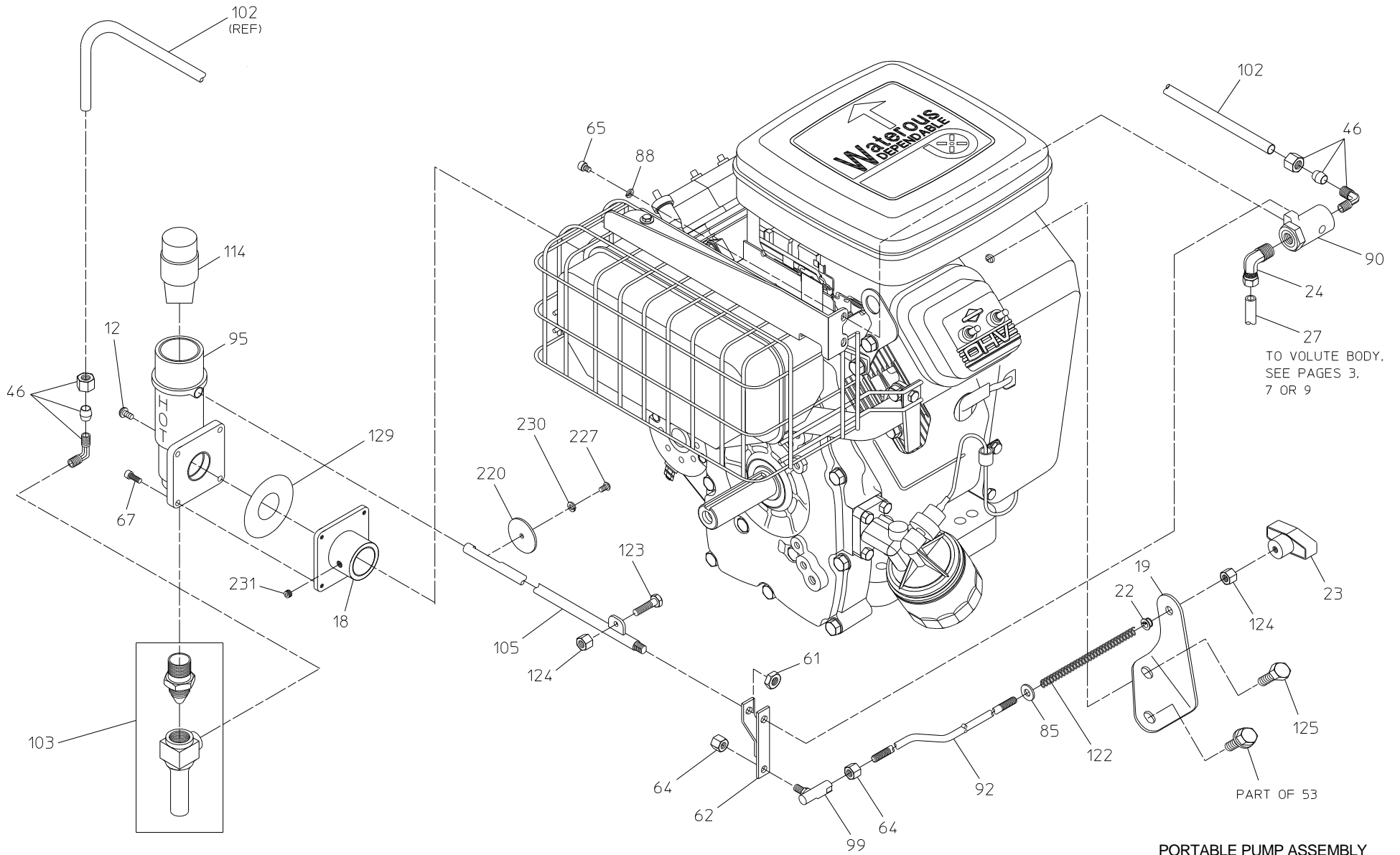
**ENGINE AND MUFFLER**

PORTABLE PUMP ASSEMBLY  
SPL82944  
WATEROUS COMPANY  
SOUTH ST. PAUL, MN 55075

## Engine & Exhaust Primer

REF. NO.	DESCRIPTION
12	Pan Hd Screw, #10-24 x 1/2 in.
18	Primer Adapter
19	Priming Rod Bracket
22	Nylon Split Bushing
23	Bar Knob
24	Male Connector, 90° 3/8 Tubing
27	Poly Tubing, 3/8 O.D.
46	Compression Elbow, 1/4 NPT x 3/8 Tube
61	Hex Nut, 5/16-18
62	Primer Lever
64	Hex Nut, 1/4-28
65	Socket Hd Screw, #10-24 x 3/8 in.
67	Socket Hd Screw, #10-24 x 5/8 in.
85	Plain Washer, 1/4 in.
88	Lock Washer, #10
90	Ball Valve, 1/4 NPT
92	Linkage Rod

REF. NO.	DESCRIPTION
95	Ductile Iron Primer
99	Rod End
102	Copper Primer Tube, 3/8 O.D.
103	Exhaust Primer Subassembly
105	Primer Rod
114	Spark Arrestor
122	Compression Spring
123	Hex Hd Screw, 1/4-20 x 1 in.
124	Hex Nut, 1/4-20
125	Hex Hd Screw, 8 mm x 20 mm
129	Primer Gasket
220	Butterfly Valve
227	Pan Hd Screw, #8-32 x 3/8 in.
230	Lock Washer, #8
231	Set Screw, 1/4-20 x 1/2 in.



**ENGINE AND EXHAUST PRIMER**  
(EXHAUST PRIMER OPTIONAL)

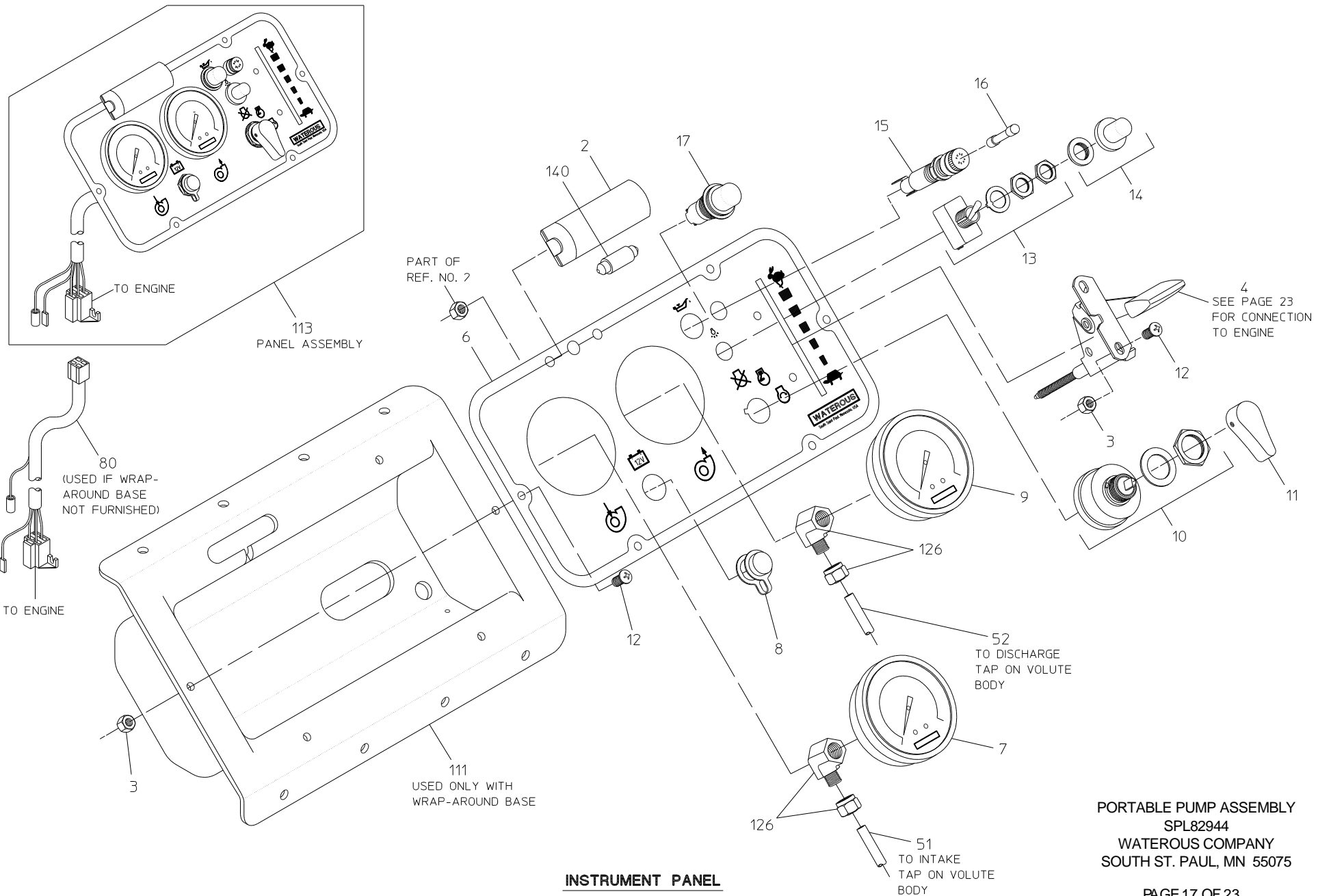
PORTABLE PUMP ASSEMBLY  
SPL82944  
WATEROUS COMPANY  
SOUTH ST. PAUL, MN 55075

## Instrument Panel

REF. NO.	DESCRIPTION
2	Panel Light
3	Nylok Nut, #10-24
4	Throttle Control
6	Panel Plate
7	Intake Gauge
8	Connector Cap
9	Discharge Gauge
10	Ignition Switch
11	Switch Knob
12	Pan Hd Screw, #10-24 x 1/2 in.
13	Panel Light Switch

REF. NO.	DESCRIPTION
14	Switch Seal
15	Panel Fuseholder
16	5 Amp Fuse
17	Oil Light
51	Nylon Tubing, 1/4 O.D., 32 in.
52	Nylon Tubing, 1/4 O.D., 37 in.
80	Harness Extension
111	Panel Insert
113	Instrument Panel Subassembly
126	Female Elbow, 90°, 1/4 NPT x 1/4 O.D.
140	12 Volt Lamp, 5 Watt





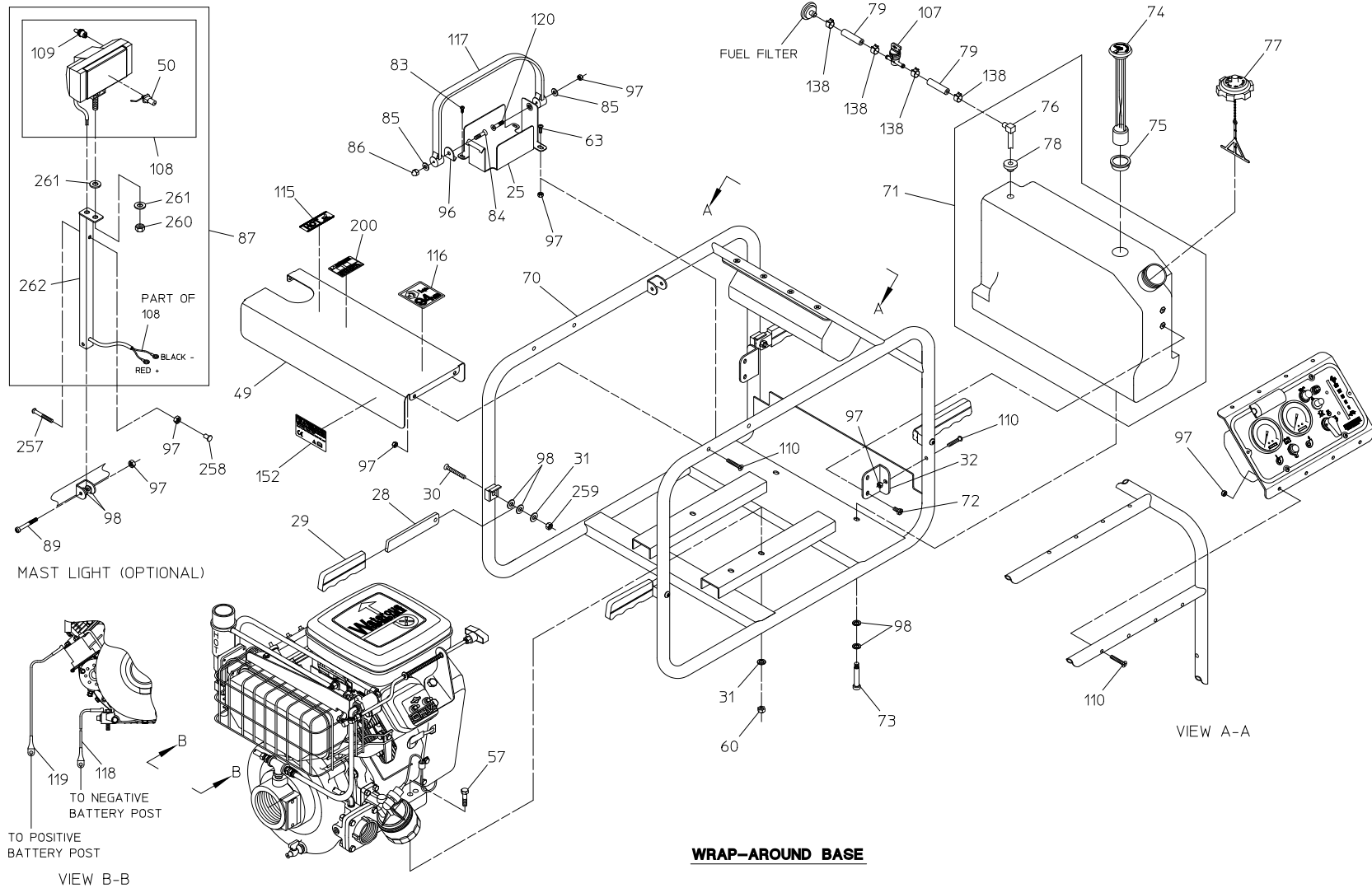
**INSTRUMENT PANEL**

PORTABLE PUMP ASSEMBLY  
 SPL82944  
 WATEROUS COMPANY  
 SOUTH ST. PAUL, MN 55075

## Wrap-Around Base

REF. NO.	DESCRIPTION
25	Battery Tray
28	Carry Handle
29	Grip Handle
30	Button Hd Screw, 5/16-18 x 2 in.
31	Plain Washer, 5/16 in.
32	Tank Bracket
49	Heat Shield
50	Mast Light Bulb, 12V
57	Hex Hd Screw, 5/16-18 x 1-3/4 in.
60	Nylok Nut, 5/16-18
63	Pan Hd Screw, 1/4-20 x 3/4 in.
70	Wrap-Around Frame
71	Fuel Tank (Includes 76 & 78)
72	Hex Hd Screw, 1/4-20 x 1/2 in.
73	Shoulder Socket Screw, 1/4-20 x 1/4 in.
74	Fuel Gauge
75	Rubber Grommet
76	Fuel Tank Hose Barb
77	Fuel Tank Cap
78	Fuel Tank Grommet
79	Fuel Line
83	Self-Tap Screw, #8-18 x 1/2 in.
84	Pan Hd Screw, 1/4-20 x 1 in.
85	Plain Washer, 1/4 in.

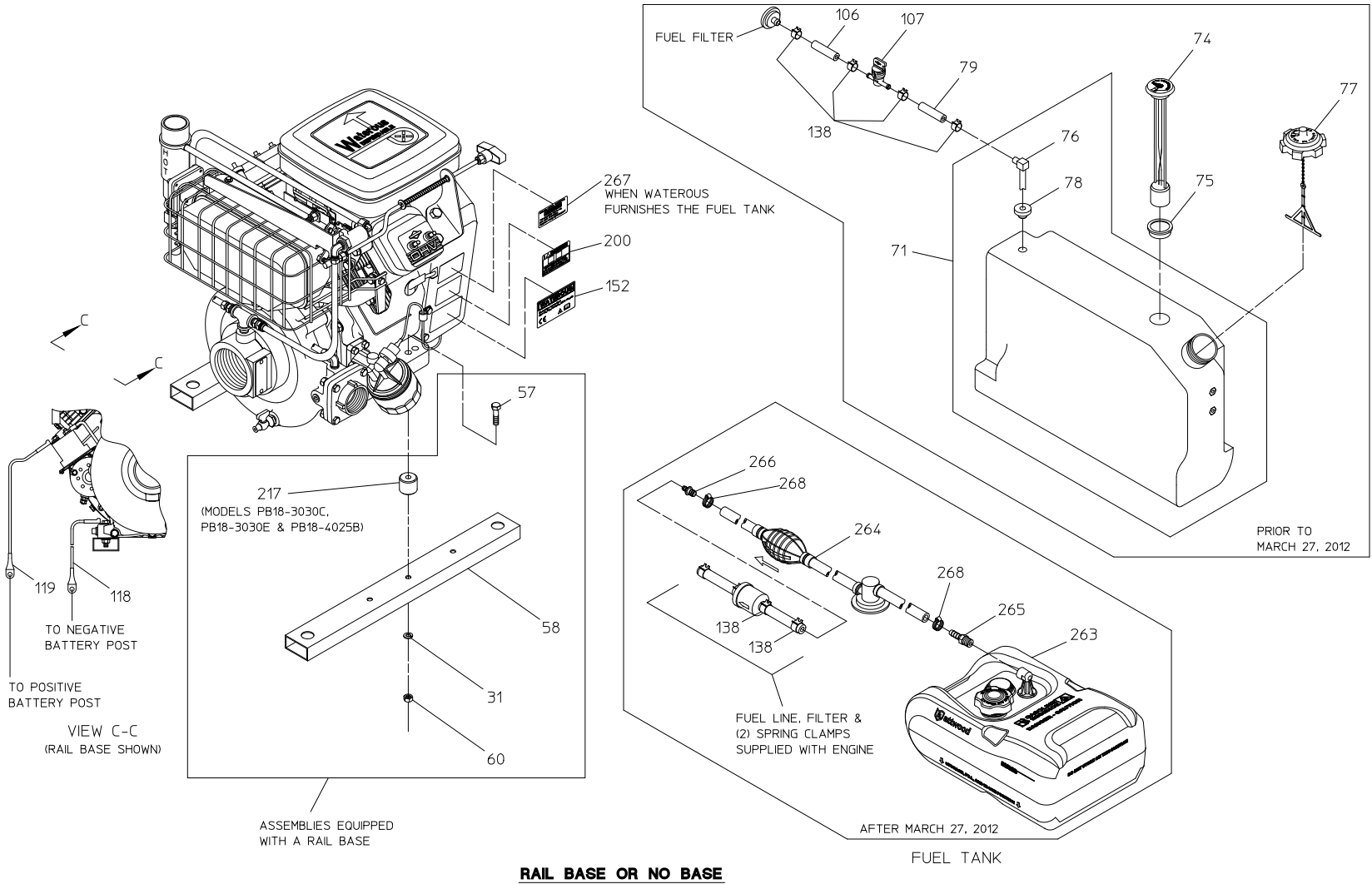
REF. NO.	DESCRIPTION
86	Acorn Nut, 1/4-20
87	Mast Light Assembly
89	Pan Hd Screw, 1/4-20 x 1-1/2 in.
96	Strap Clip
97	Nylok Nut, 1/4-20
98	Nylon Washer, 5/16 In.
107	Fuel Shut-Off Valve
108	Light Assembly
109	Mast Light Switch
110	Oval Hd Screw, 1/4-20 x 1-1/2 in.
115	Hot Decal
116	94 Decibel Decal
117	Battery Strap
118	Negative Wire Assembly
119	Positive Wire Assembly
120	Flat Hd Screw, 1/4-20 x 1 in.
138	Spring Hose Clamp, 17/32
152	CE Marking Decal
200	Warning Label
257	Pan Hd Screw, 1/4-20 x 2-1/2
258	Thread Cap
259	Thin Style Nylok Nut, 5/16-18
260	Nylok Nut, M10 x 1.5
261	Nylon Washer, M10
262	Mast Light Support



## Rail Base or No Base

REF. NO.	DESCRIPTION
31	Plain Washer, 5/16 in.
57	Hex Hd Screw, 5/16-18 x 1-3/4 or 2-3/4 in.
58	Rail Base
60	Nylok Nut, 5/16-18
71	Fuel Tank (Includes 76 & 78)
74	Fuel Gauge
75	Rubber Grommet
76	Fuel Tank Hose Barb x 90° Elbow
77	Fuel Tank Cap

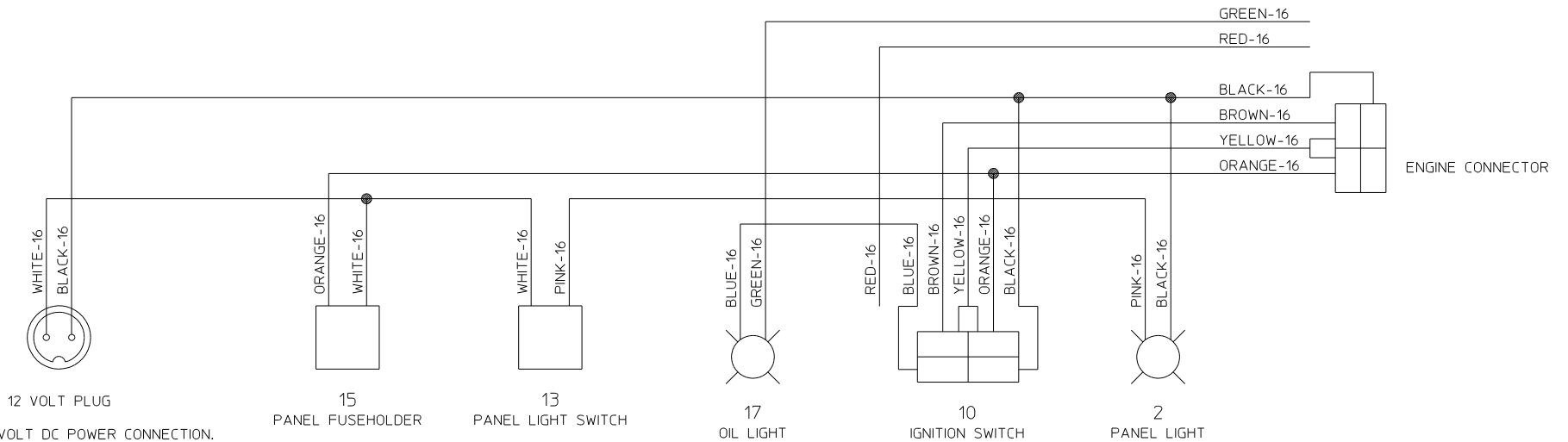
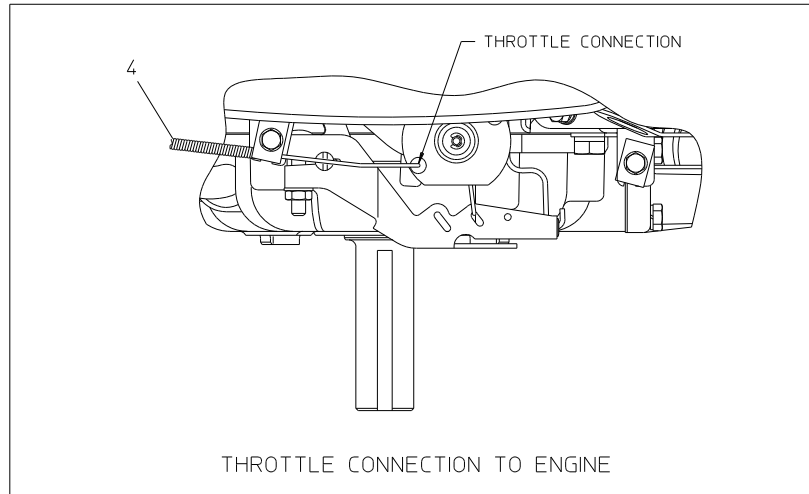
REF. NO.	DESCRIPTION
78	Fuel Tank Grommet
79	Fuel Line
106	Fuel Line
107	Fuel Shut-Off Valve
118	Negative Wire Assembly
119	Positive Wire Assembly
138	Spring Hose Clamp, 17/32
152	CE Marking Decal
200	Warning Label
217	Spacer, 1 in.
263	Fuel Tank
264	Fuel Line, 3/8 in. x 72 in.
265	Hose Connector, 1/4 NPT x 3/8 in. Hose
266	Barbed Tube Connector, 1/4 in. x 3/8 in.
267	EPA Evap Decal
268	Hose Clamp, 1/4 to 5/8



## Wiring Schematic

REF. NO.	DESCRIPTION
2	Panel Light
4	Throttle Control
10	Ignition Switch

REF. NO.	DESCRIPTION
13	Panel Light Switch
15	Panel Fuseholder
17	Oil Light



AUXILIARY 12 VOLT DC POWER CONNECTION.  
 USE MATING CONNECTOR, SWITCHCRAFT®  
 MINI WEATHERTIGHT #EN3C2F16C  
 (NOT FURNISHED BY WATEROUS COMPANY)

WIRING SCHEMATIC

PORTABLE PUMP ASSEMBLY  
 SPL82944  
 WATEROUS COMPANY  
 SOUTH ST. PAUL, MN 55075