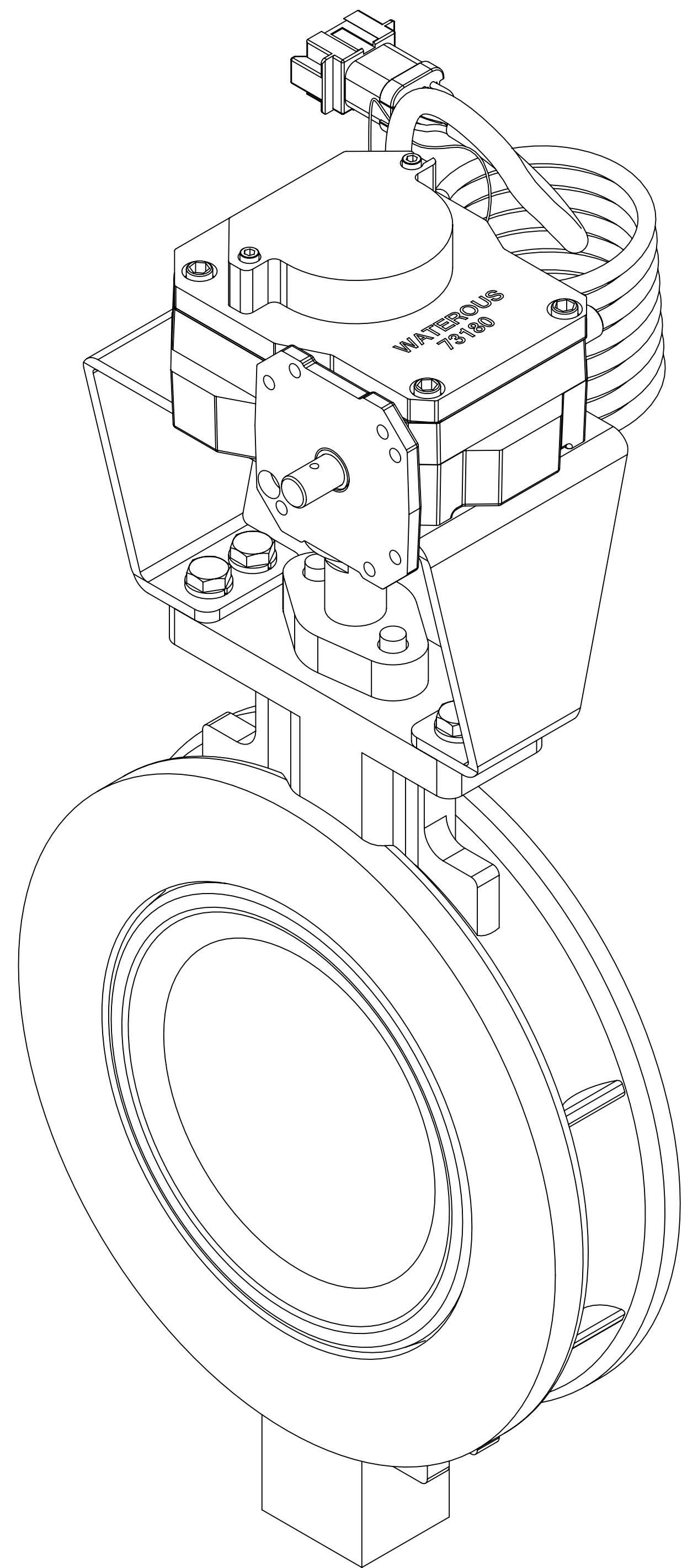


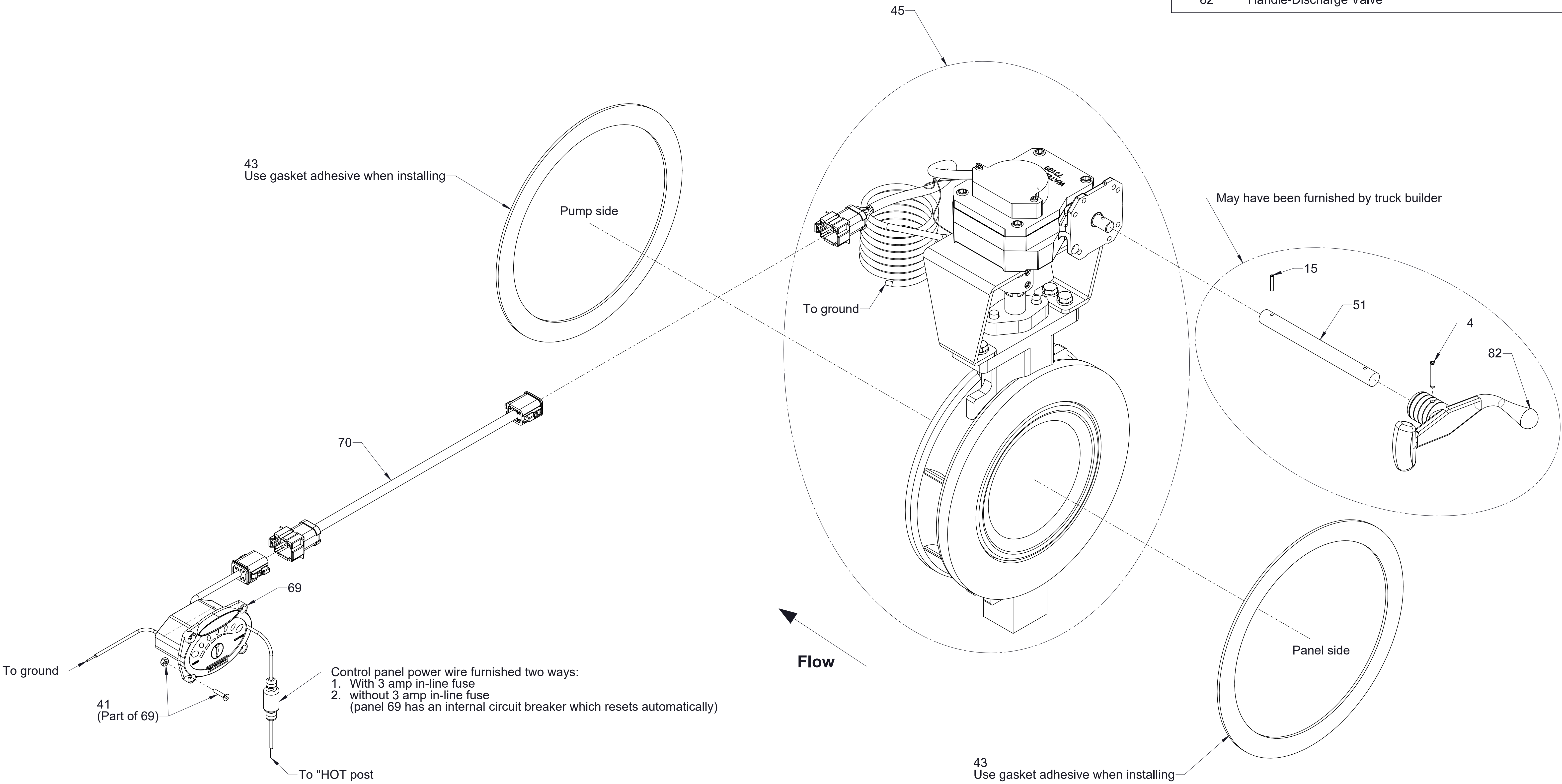
8 in. Butterfly Valve Service Parts List

For valve and pneumatic actuator repair parts not shown, see Metso website (Jamesbury Valves)



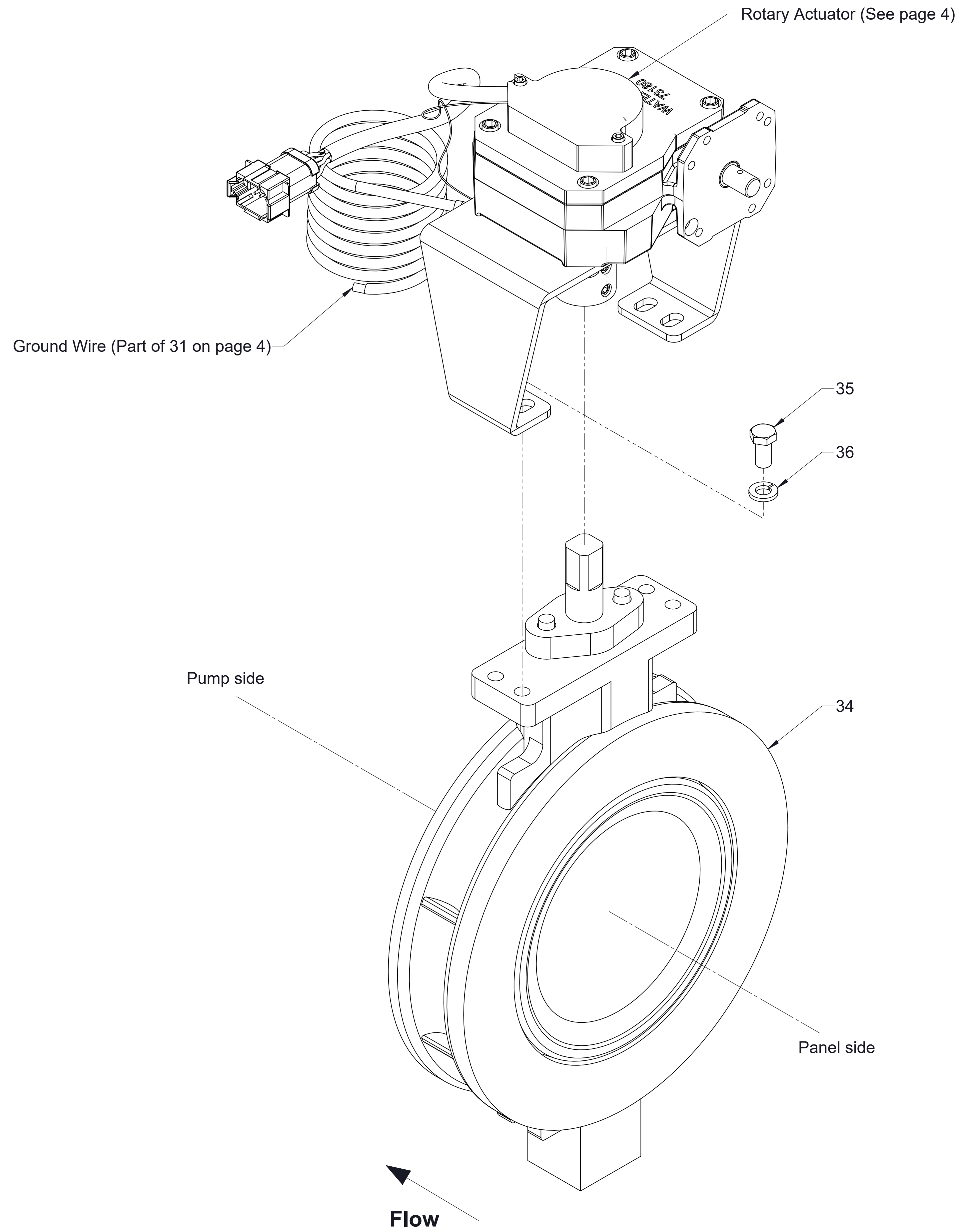
Valve Actuator Type		Components	See Page
Manual	Indicating	Cables and Panel Components	2
		Valve Body	3
		Available Repair Subassembly	4

Ref No.	Description
4	Pin-Spring, 3/16 x 1 1/4 in
15	Pin-Spirol, 1/8 x 3/4 in
41	Screw-Machine, Flat Hd, Hex Soc, #6-32 x 3/4 in
43	Gasket-Flange
45	Manual Butterfly Valve (Includes Actuator)
51	Shaft-Extension, Handle
69	LED Panel Assembly
70	Cable-Extension, Encoder
82	Handle-Discharge Valve



Manual Indicating Valve with Cable and Panel Components

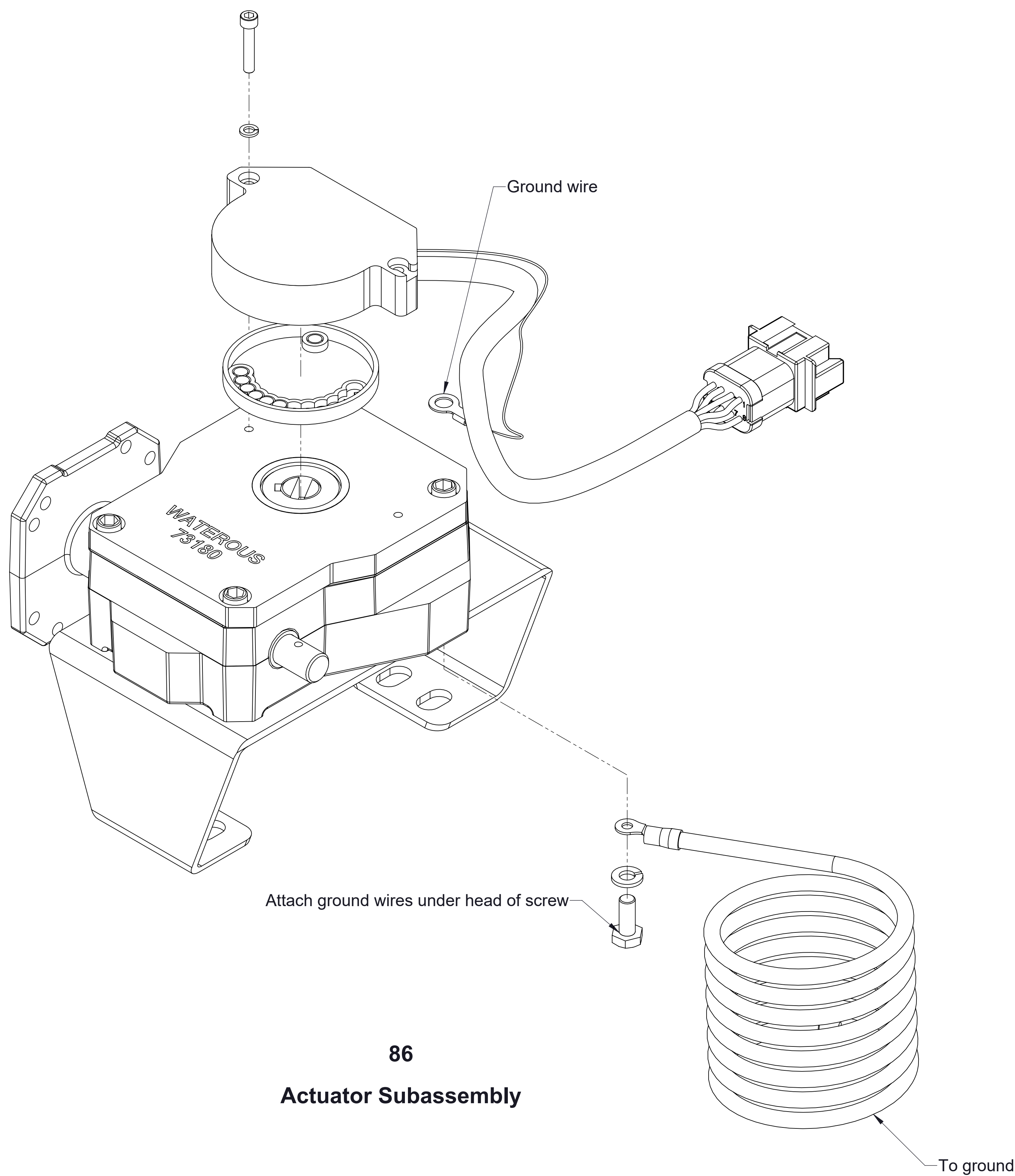
Ref No.	Description
34	Butterfly Valve (Less Actuator)
35	Screw-Hex Hd, 3/8-16 x 3/4 in
36	Washer-Lock, 3/8 in
49	Valve and Shaft Seal Repair kit



49
Valve Seat and Shaft
Seal Repair Kit

Manual Indicating Valve Body

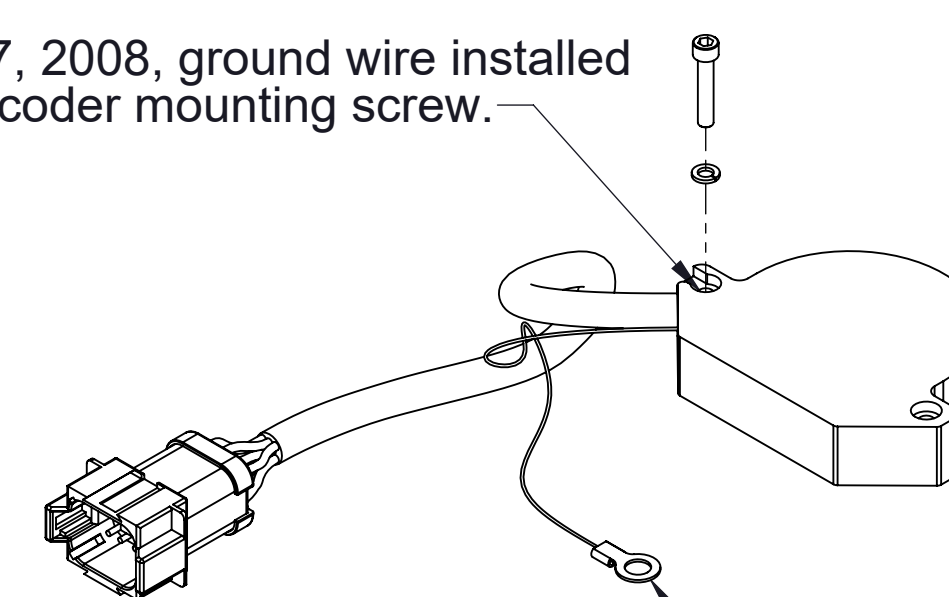
Ref No.	Description
31	Rotary Encoder Replacement Kit
86	Actuator Subassembly



31
Rotary Encoder
Replacement Kit

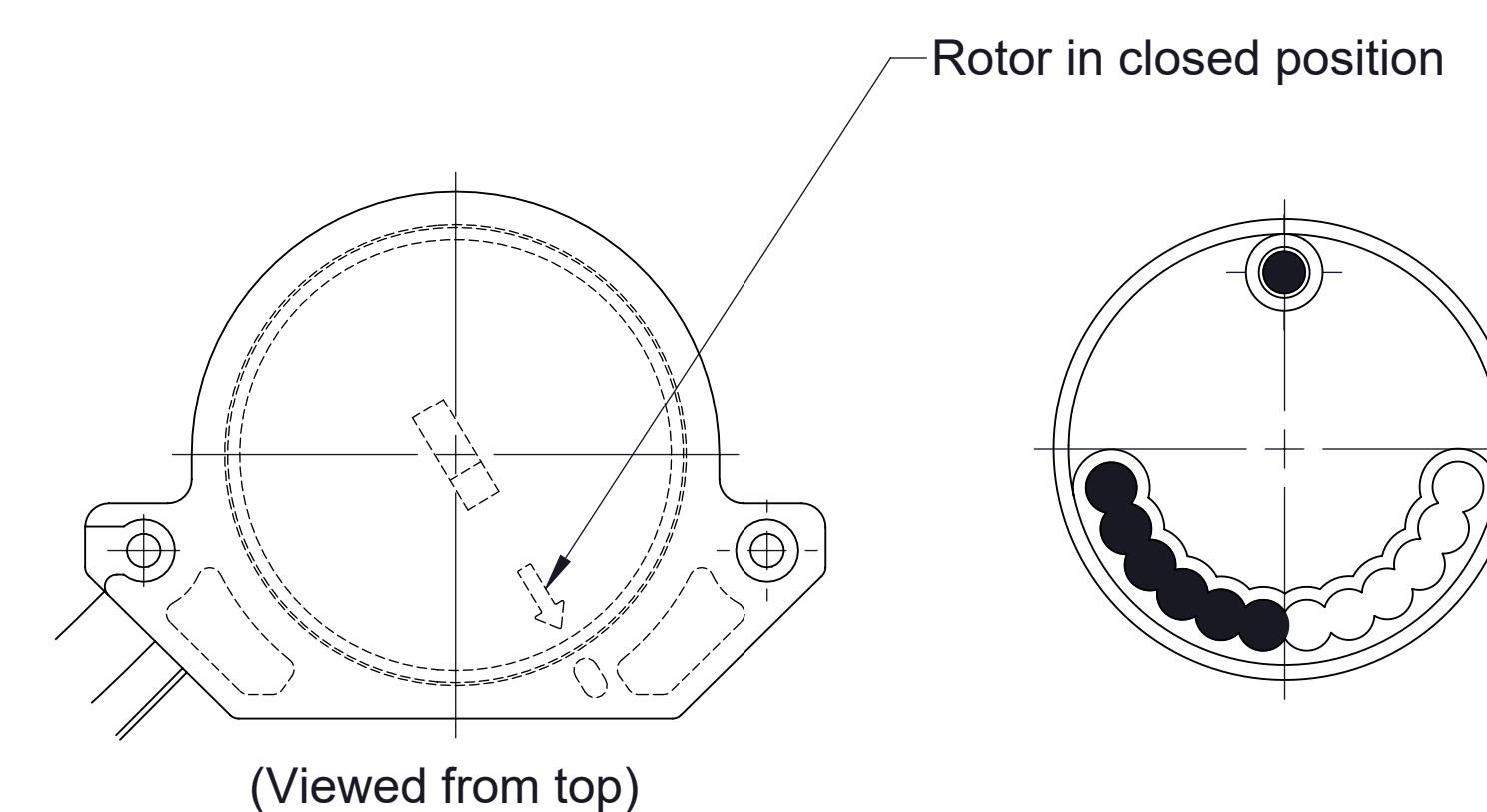
Encoder Details

Prior to January 7, 2008, ground wire installed under head of encoder mounting screw.



After January 7, 2008, ground wire installed under head of mounting bracket, see 86.

Encoder Ground Wire Detail



Rotor Position

Rotor Magnet Positions

Available Repair Subassembly