



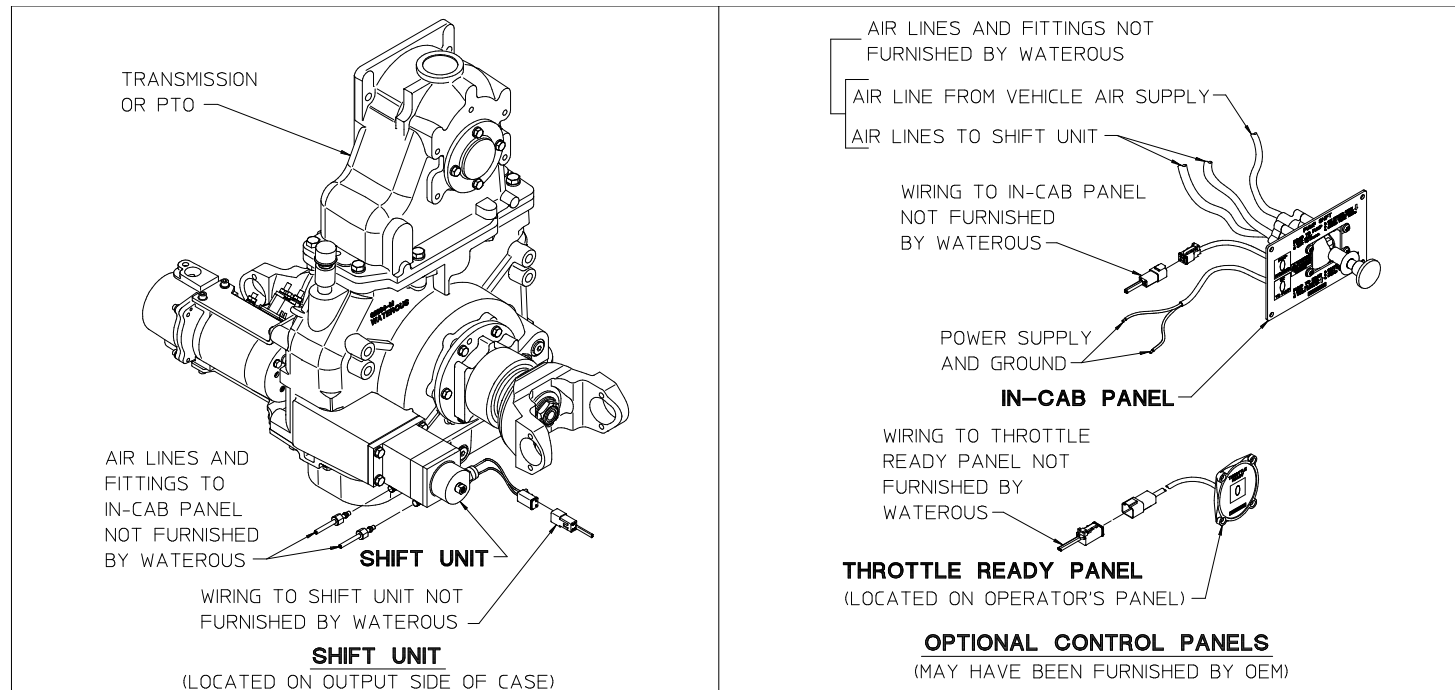
Document Number	Issue Date	Rev. Date
<b>SPL82990</b>	<b>07/15/09</b>	<b>10/16/19</b>

## Pneumatic Shift Service Parts List

As used with C20 and C21 Series Transmissions and TC20 and TC21 Series PTO's

### Index:

Component		See Page
<b>Shift Unit</b> (Mounted on Pump Transmission or PTO)		2, 3
<b>Optional Control Panels</b> (May have been furnished by OEM)	In-Cab Panel	4, 5
	Throttle Ready Panel (Located on Operator's Panel)	6, 7



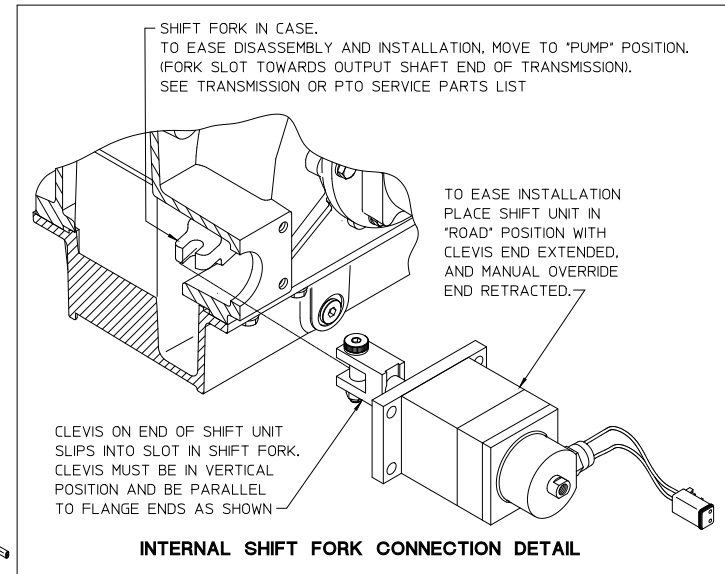
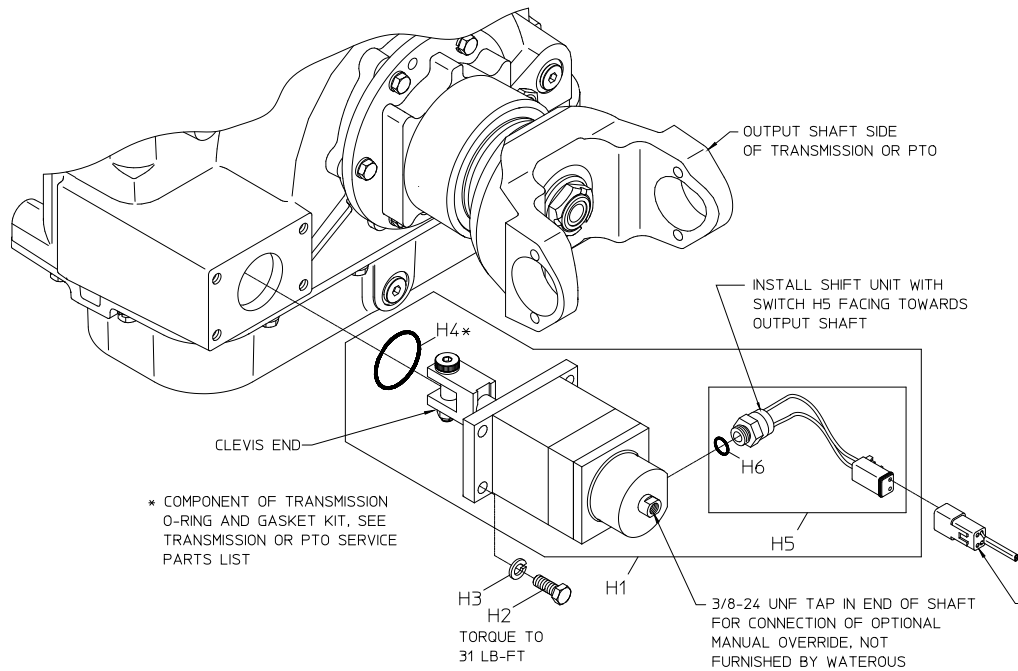
Waterous Company 125 Hardman Avenue South, South St. Paul, Minnesota 55075 USA (651) 450-5000

When ordering parts please supply pump serial number.

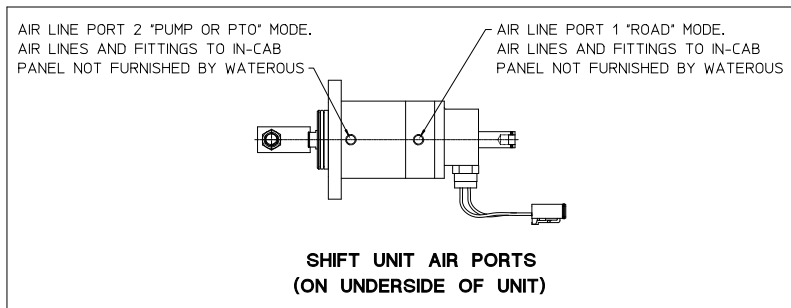
## Shift Unit

REF. NO.	DESCRIPTION
H1	Shift Unit Assembly (Includes Ref. No.'s H4 and H5)
H2	Hex Hd Screw, 3/8-16 x 1 in.
H3	Lock Washer, 3/8 in.

REF. NO.	DESCRIPTION
H4	O-ring, 1-13/16 x 2 in.
H5	Switch (Includes Ref. No. H6)
H6	O-ring, 1/2 x 5/8 in.



WIRING TO SHIFT UNIT NOT FURNISHED BY WATEROUS

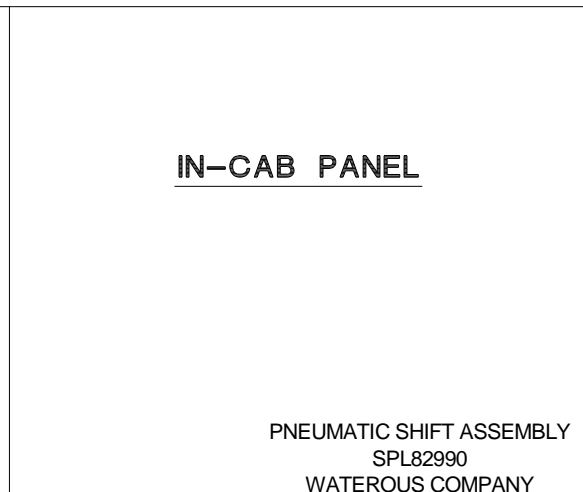
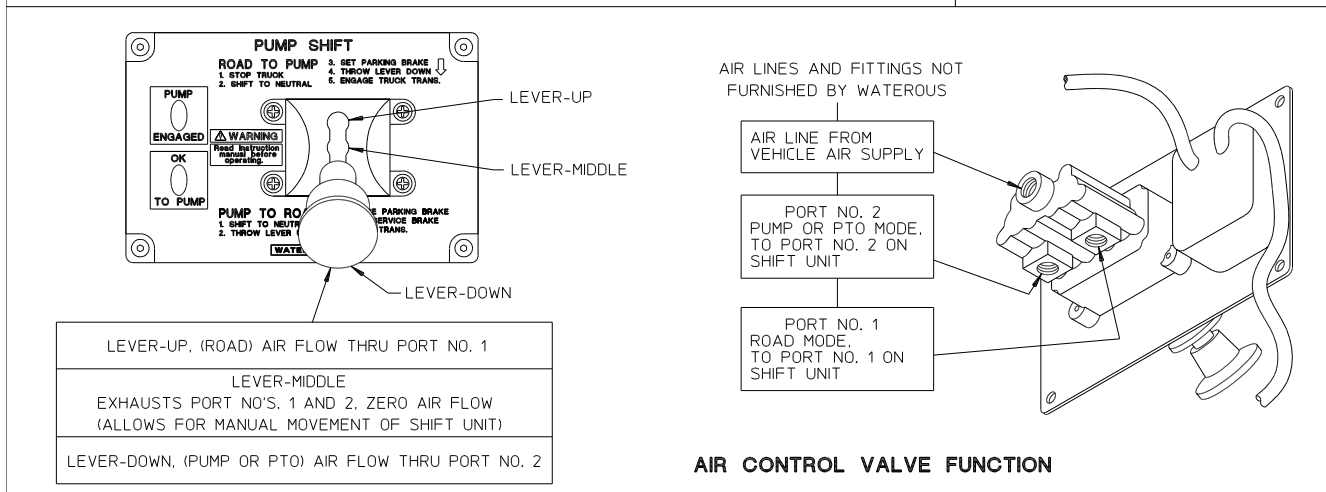
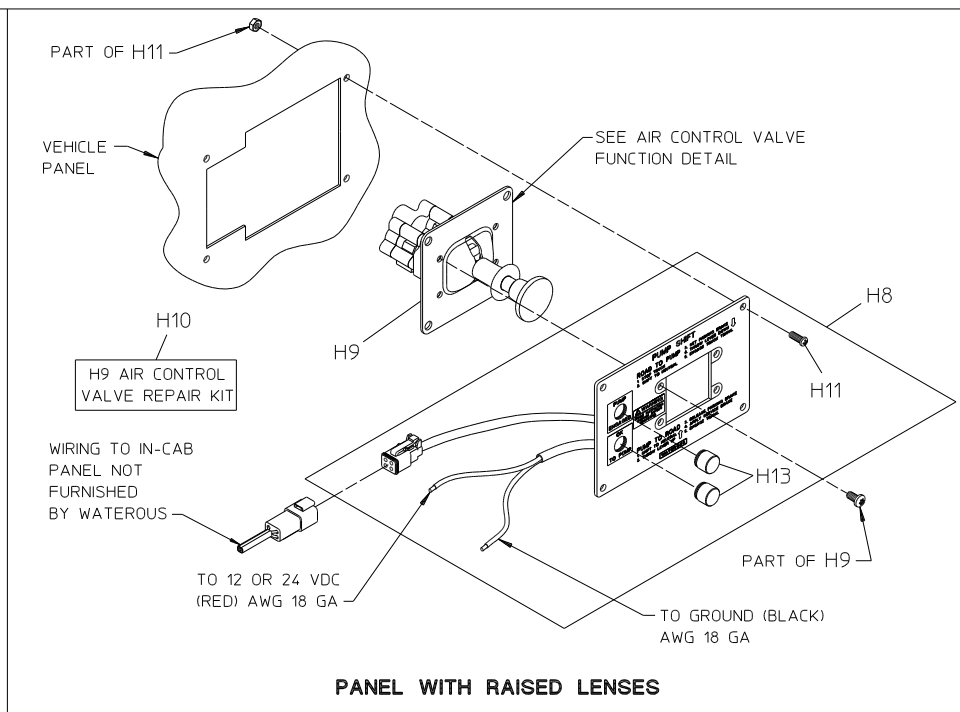
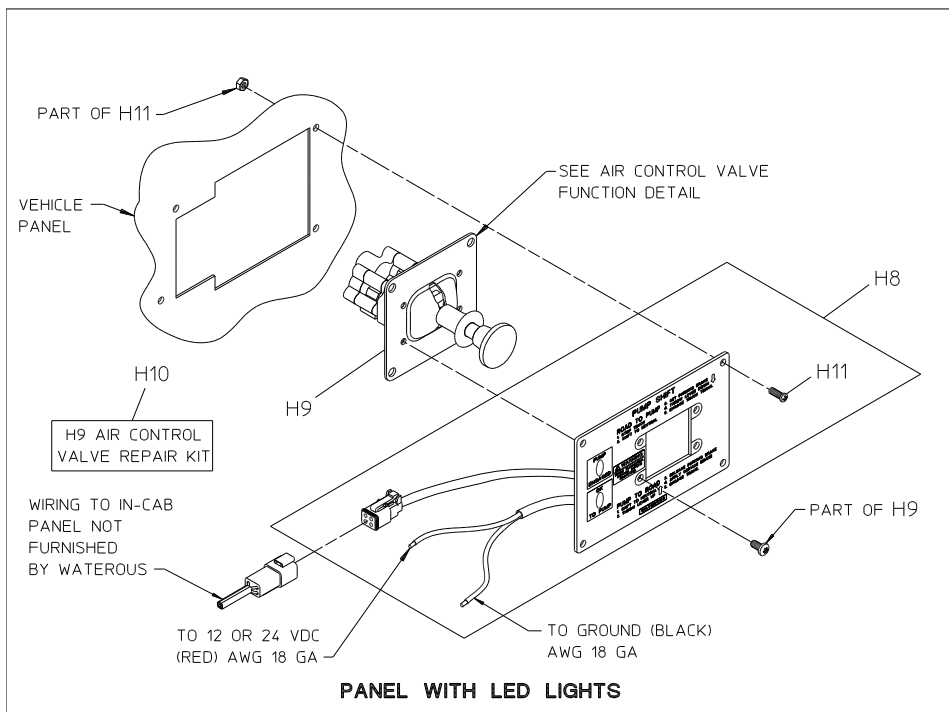


**SHIFT UNIT**

## Optional Control Panels In-Cab Panels

REF. NO.	DESCRIPTION
H8	In-Cab Panel (Includes four Ref. No. H11 mounting screws and nuts)
H9	Air Control Valve (Includes four 10-32 x 1/2 in. Torx Button Head mounting screws)

REF. NO.	DESCRIPTION
H10	Air Control Valve Repair Kit
H11	Flat Hd Screw 10-24 x 3/4 in. and 10-24 Hex Nut (For In-Cab Panel)
H13	Green Lens Cap

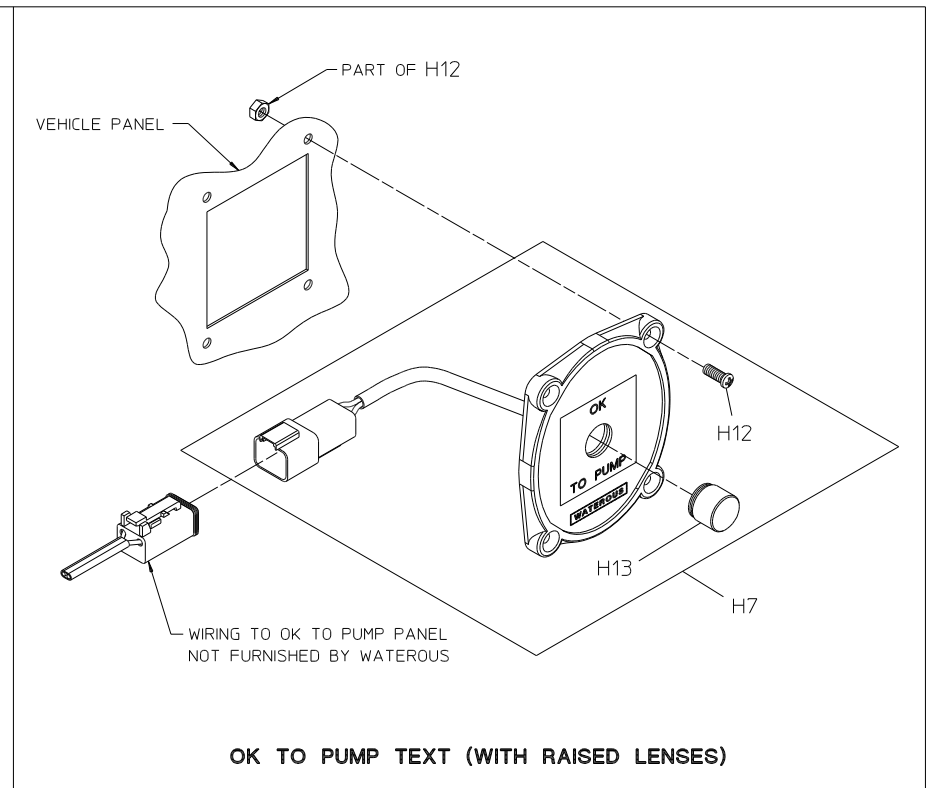
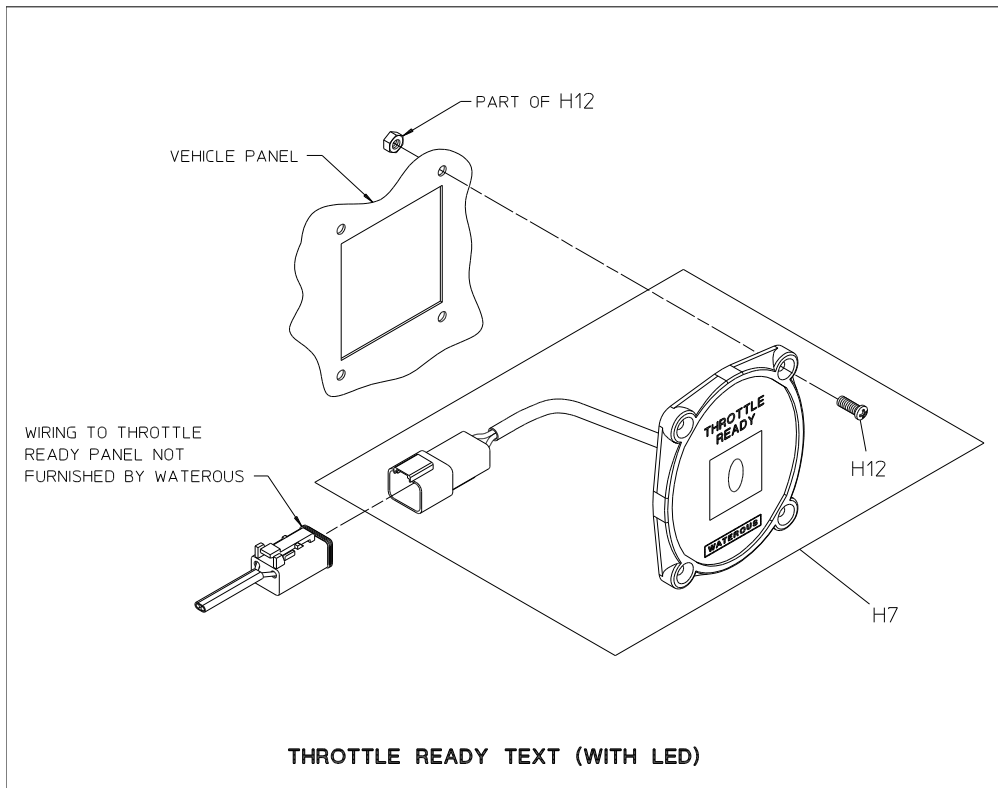


PNEUMATIC SHIFT ASSEMBLY  
SPL82990  
WATEROUS COMPANY  
SOUTH ST. PAUL, MN 55075

**Optional Control Panels**  
**Throttle Ready Panel (Located on Operator's Panel)**

REF. NO.	DESCRIPTION
H7	Throttle Ready Panel (Includes four Ref. No. H12 mounting screws and nuts)

REF. NO.	DESCRIPTION
H12	Flat Hd Screw, 6-32 x 3/4 in. and 6-32 Hex Nut (For Throttle Ready Panel)
H13	Green Lens Cap



**THROTTLE READY PANEL**

LOCATED ON OPERATOR'S PANEL

PNEUMATIC SHIFT ASSEMBLY  
 SPL82990  
 WATEROUS COMPANY  
 SOUTH ST. PAUL, MN 55075