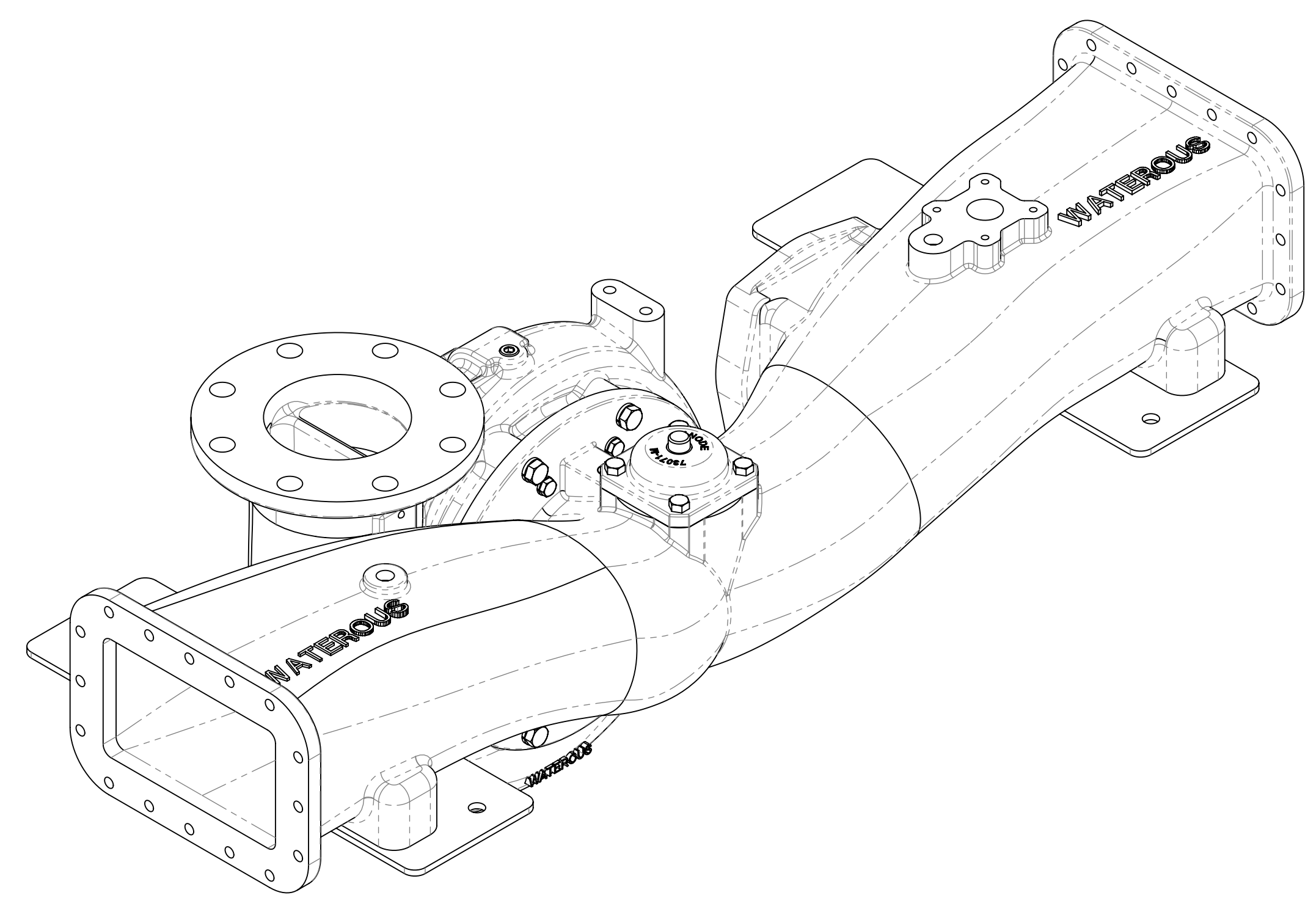


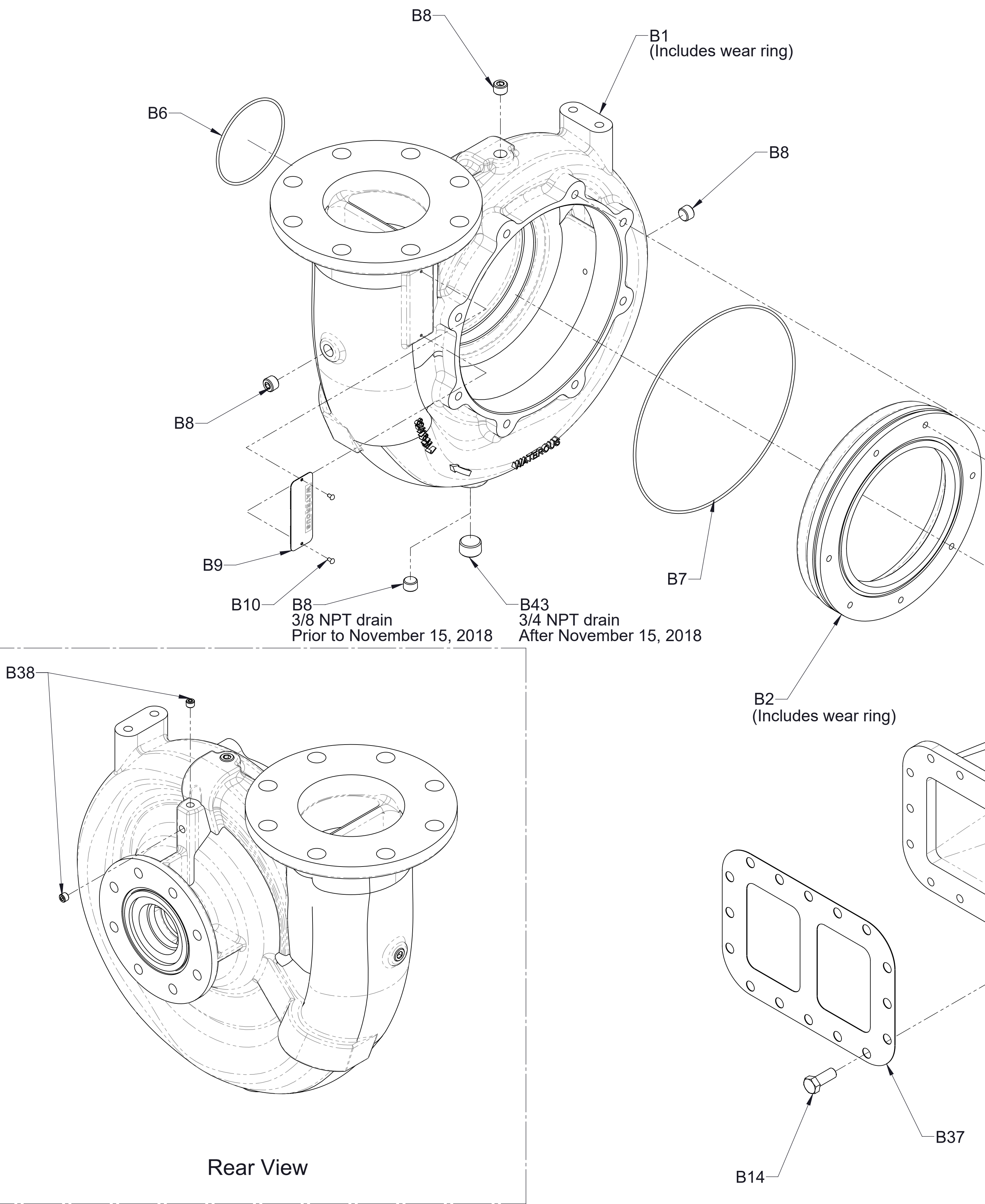
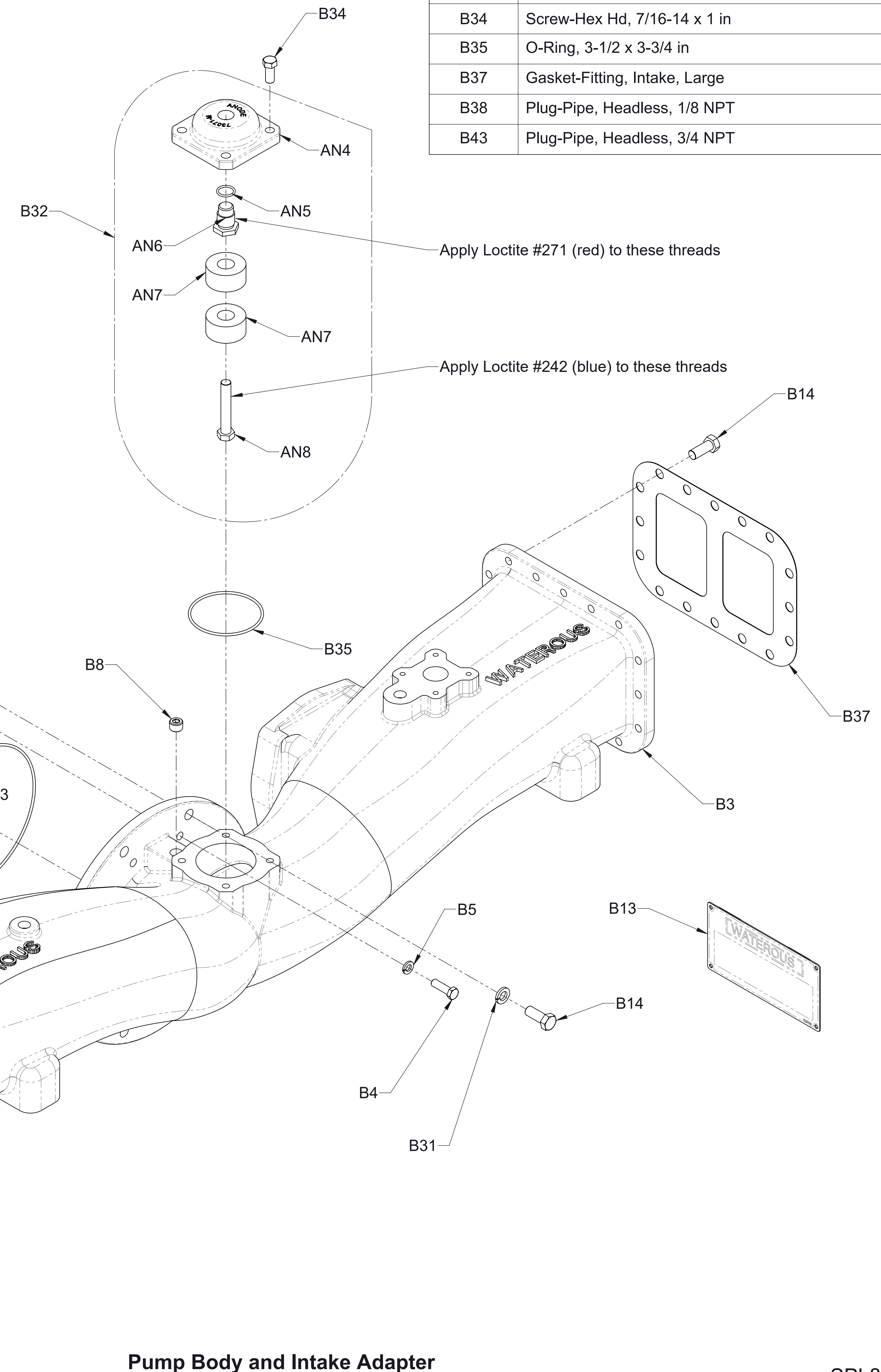
S101 Pump Body Service Parts List (With Crosspipe Intake)

Complete Pump and Transmission Model (Located on Pump Serial Plate)	See Pages			
	Pump Body and Intake Adapter	Tank to Pump Flange Components	Optional Discharge Manifold	VAP Priming Valve Pad Cover
S101C20C S101C20D S101C20E S101C20F	2	3	4	5



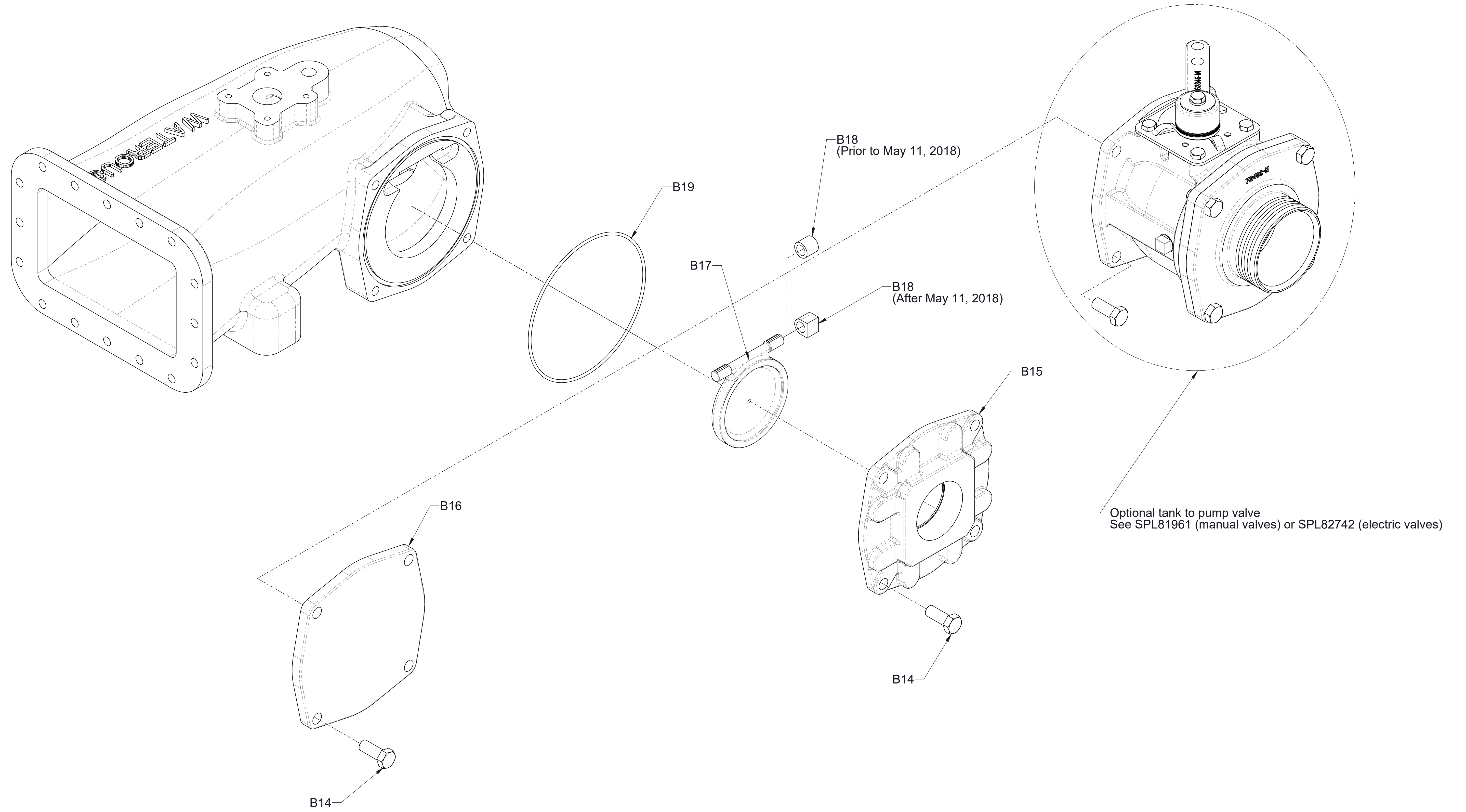
Ref No.	Description	Ref No.	Description
AN4	Flange-Anode	B5	Washer-Lock, 3/8 in
AN5	O-Ring, 3/4 x 15/16 in	B6	O-Ring, 4-1/4 x 4-1/2 in
AN6	Adapter-Anode, Threaded	B7	O-Ring, 10-1/2 x 10-3/4 in
AN7	Anode-Magnesium	B8	Plug-Pipe, Headless, 3/8 NPT
AN8	Screw-Hex Hd, 1/2-13 x 3 in	B9	Plate-Serial (Pump)
B1	Body-Volute (Includes Wear Ring)	B10	Screw-Drive, #6 x 1/4 in
B2	Housing-Wear Ring (Includes Wear Ring)	B13	Plate-Serial (Panel)
B3	Fitting-Intake, Dual	B14	Screw-Hex Hd, 1/2-13 x 1-1/4 in
B4	Screw-Hex Hd, 3/8-16 X 1-1/4 in	B31	Washer-Lock, 1/2 in

Ref No.	Description
B32	Anode Subassembly
B33	O-Ring, 8 x 8-1/4 in
B34	Screw-Hex Hd, 7/16-14 x 1 in
B35	O-Ring, 3-1/2 x 3-3/4 in
B37	Gasket-Fitting, Intake, Large
B38	Plug-Pipe, Headless, 1/8 NPT
B43	Plug-Pipe, Headless, 3/4 NPT



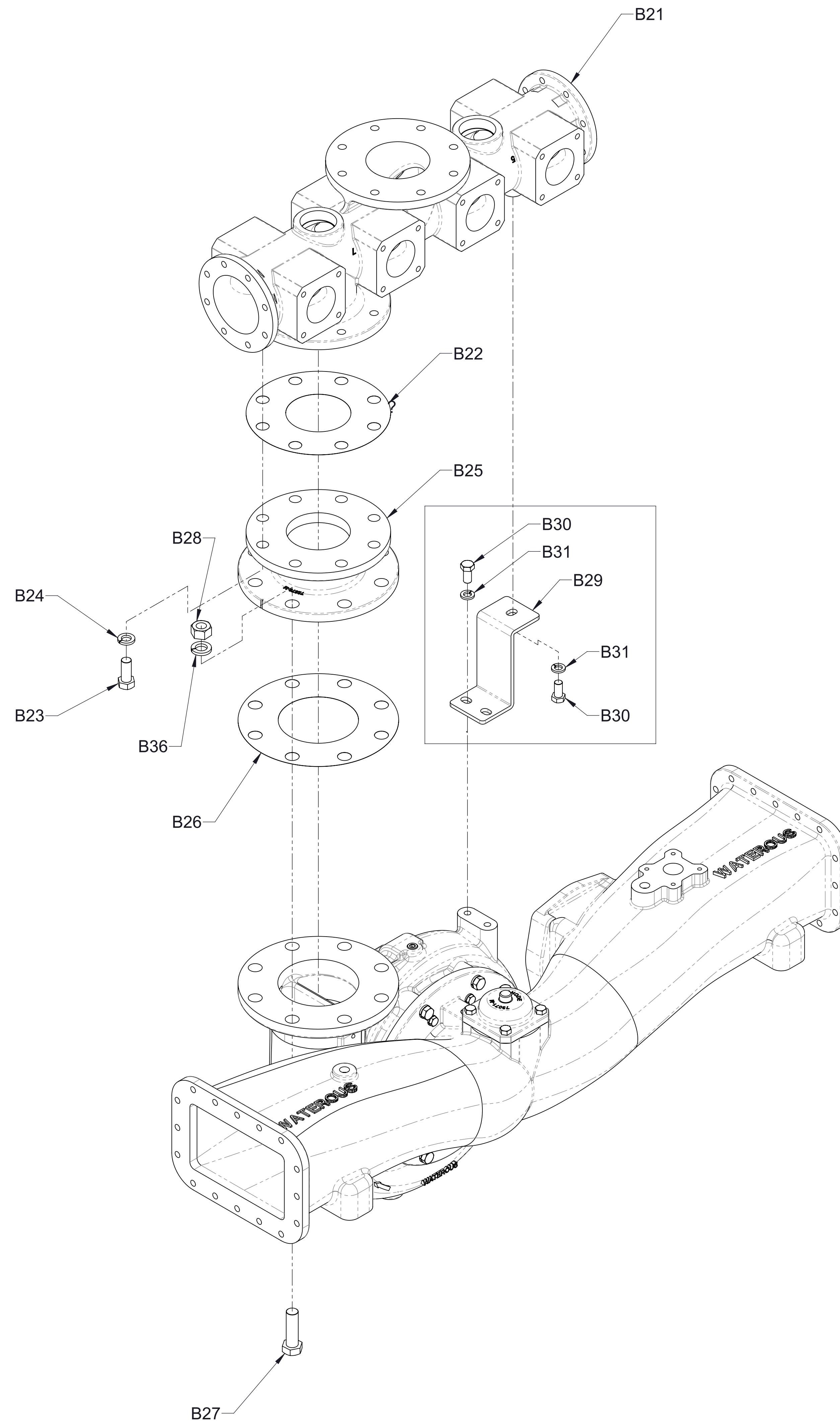
Pump Body and Intake Adapter

Ref No.	Description
B14	Screw-Hex Hd, 1/2-13 x 1-1/4 in
B15	Adapter-Intake, 2-1/2 NPT
B15	Adapter-Intake, 3 NPT
B16	Flange-Blind
B17	Valve-Check (Tank to Pump)
B18	BUSHING-CHECK VALVE (CM, CS, S101)
B19	O-Ring, 6-3/4 x 7 in



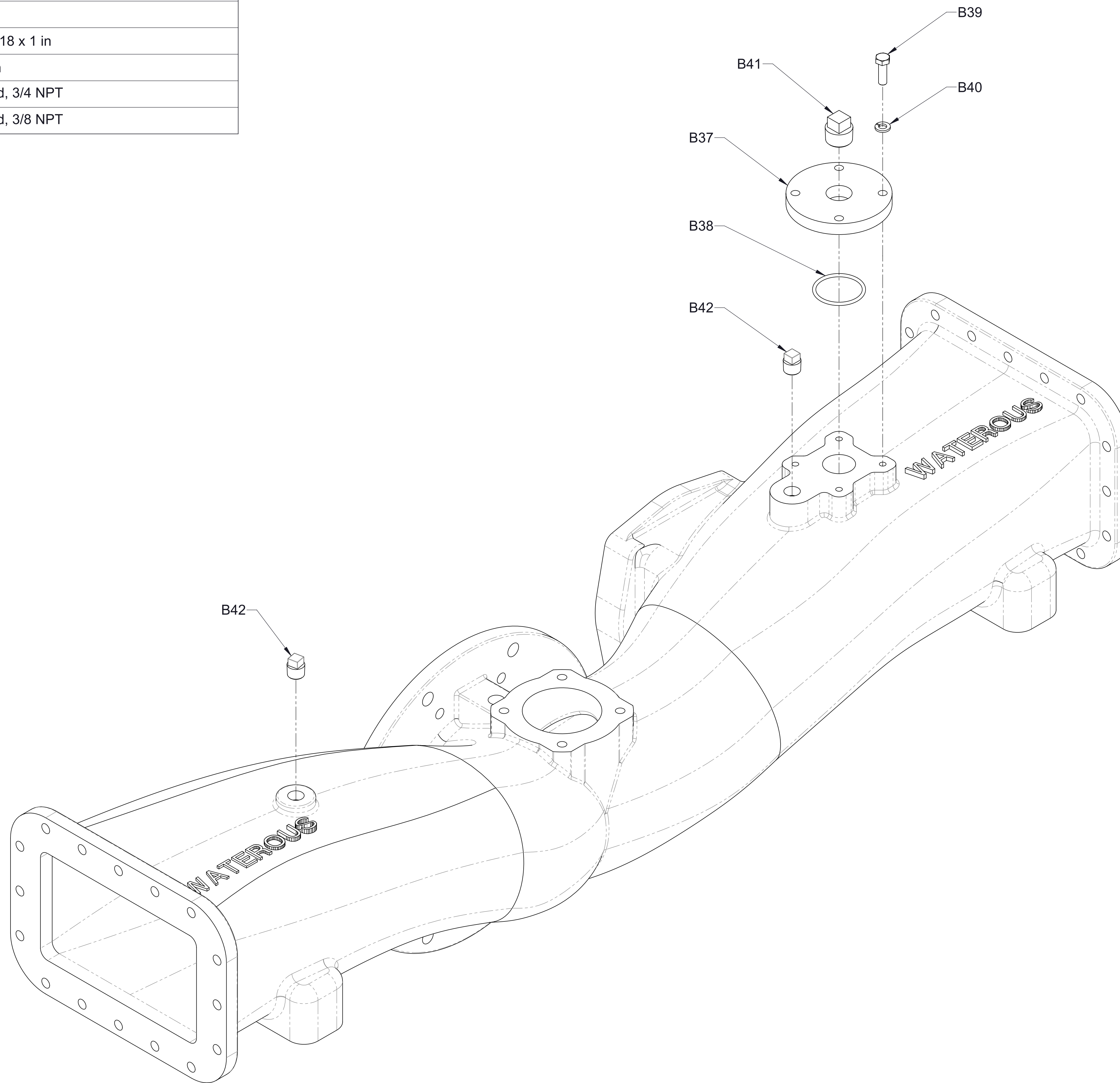
Tank to Pump Flange Components

Ref No.	Description
B21	Manifold-Discharge
B22	Gasket-Discharge Manifold
B23	Screw-Hex Hd, 5/8-11 x 1-1/2 in
B24	Washer-Lock, 5/8 in
B25	Adapter-Flange
B26	Gasket-Flange
B27	Screw-Hex Hd, 3/4-10 x 2-1/2 in
B28	Nut-Hex, 3/4-10
B29	Bracket-Manifold
B30	Screw-Hex Hd, 1/2-13 x 1 in
B31	Washer-Lock, 1/2 in
B36	Washer-Lock, 3/4 in



Optional Discharge Manifold

Ref No.	Description
B37	Cover-Pad, Priming Valve
B38	O-Ring, 1-3/4 x 2 in
B39	Screw-Hex Hd, 5/16-18 x 1 in
B40	Washer-Lock, 5/16 in
B41	Plug-Pipe, Square Hd, 3/4 NPT
B42	Plug-Pipe, Square Hd, 3/8 NPT



VAP Priming Valve Pad Cover