



Document Number	Issue Date	Rev. Date
SPL83120	9/25/14	12/9/14

CRU-1 Body Assembly
Service Parts Lists

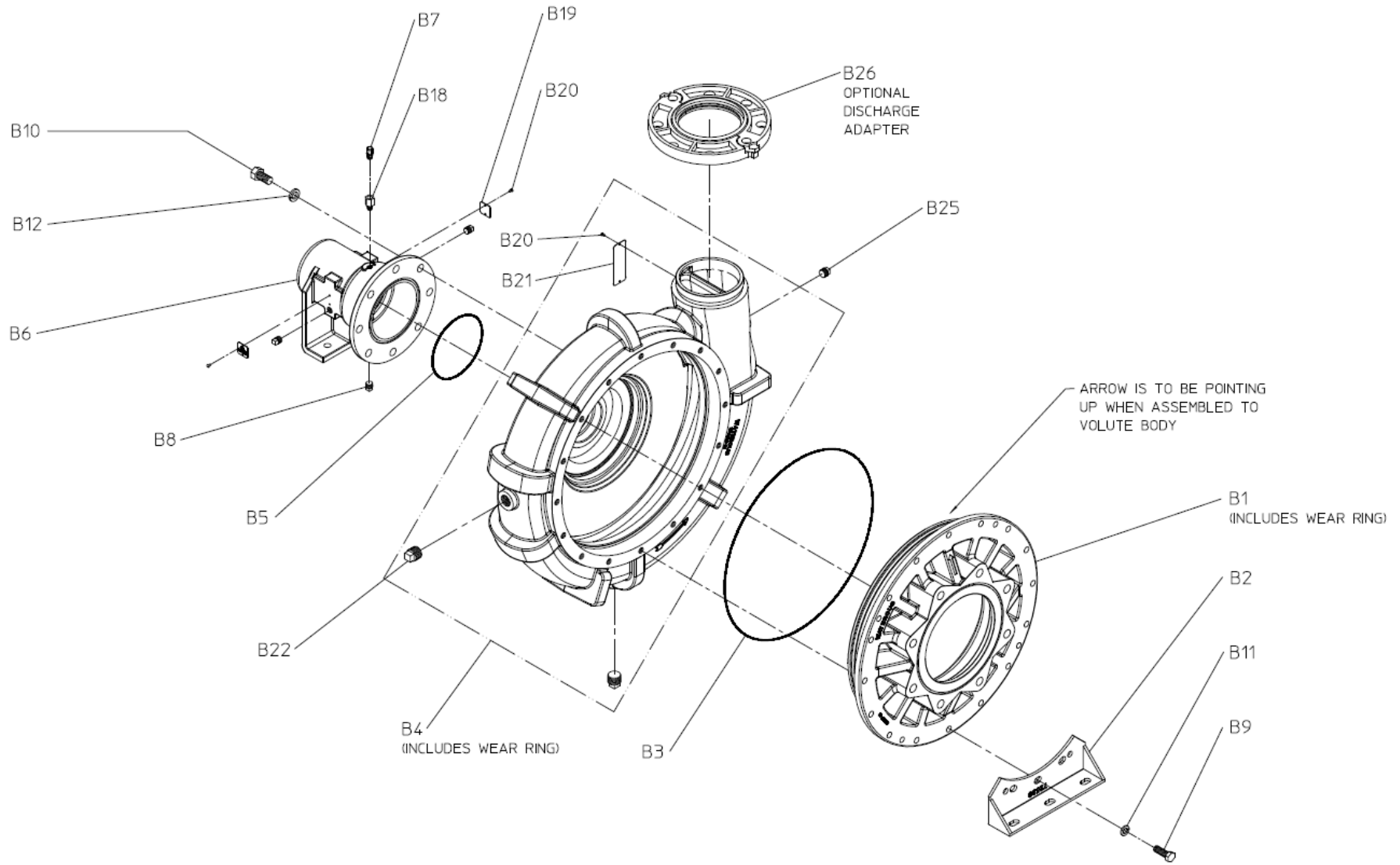
Index:

Component	See Pages
Pump Body	2, 3

CRU-1 Direct Drive

REF NO.	DESCRIPTION
B1	Intake Adapter Subassembly (Includes Wear Ring)
B2	Bracket-Mounting
B3	O-ring, 17 x 17-1/4
B4	Volute Body Subassembly (Includes Wear Ring, B20, B21, B22)
B5	O-ring, 5-5/8 x 5-7/8
B6	Housing-Bearing
B7	Breather
B8	Plug-Pipe
B9	Screw-Hex Hd, 1/2-13 x 1-1/2
B10	Screw-Hex Hd, 5/8-11 x 1-1/2

REF NO.	DESCRIPTION
B11	Washer-Lock, 1/2
B12	Washer-Lock, 5/8
B18	Snubber
B19	Plate-Oil Level
B20	Screw-Round Hd Dr, #6 x 1/4
B21	Plate-Serial, Repair
B22	Plug-Pipe, 3/4 NPT, Sq. Head
B25	Plug-Pipe, 3/8 NPT, Sq. Head
B26	Victaulic Flange Adapter, 5 in.



MODEL CRU-1 DIRECT DRIVE