



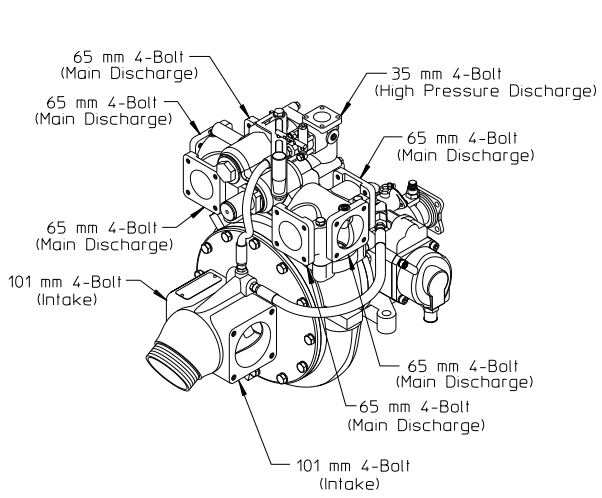
Document Number	Issue Date	Rev. Date
<b>SPL83156</b>	<b>09/13/11</b>	<b>6/24/19</b>

## HL Series Fire Pump Intake and Discharge Fittings Service

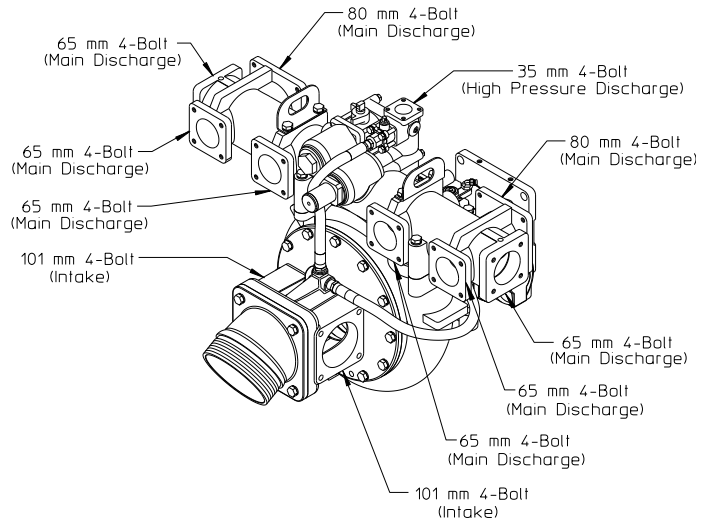
### Parts List

Index:

Pump Model <i>(Located on Pump Serial Plate)</i>				Fitting		See Pages	
HLU Series	HL200 Series	HL300 Series	HL400 Series	Size	Type		
HLUD HLUK	HL200D HL200K	HL300D HL300K	HL400D HL400K	35 mm 4-Bolt	Tapped Flange	2, 3	
					Manifold		
				65 mm 4-Bolt	Blind Flange		4, 5
					Tapped Flange		
					Elbow		
					2-1/2 in. Valve		
				80 mm 4-Bolt	Blind Flange	6, 7	
					Tapped Flange		
				101 mm 4-Bolt	Manifold		
					Foam Flange		



**HL200 and HL300 Series Models**

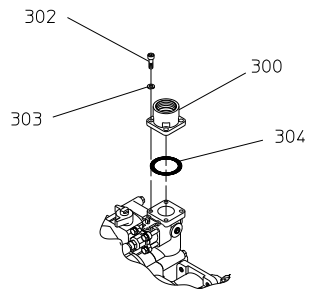


**HL400 and HLU Series Models**

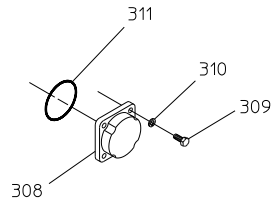
## 35 mm and 65 mm 4-Bolt Fittings

REF. NO.	DESCRIPTION
42	O-ring Repair Kit (Includes 304, 311, 318, 327, 330 plus O-rings for the Pump, see Ref No. 42 on SPL83155 or SPL83161)
300	Tapped Flange, 1-1/4 in. BSP
300	Tapped Flange, 1 in. NPT
301	High Pressure Stage Manifold, 1 in. BSP
301	High Pressure Stage Manifold, 1 in. NPT
302	Soc Hd Screw, M8-1.25 x 25 mm
303	Lock Washer, 8 mm
304	O-ring, 1-5/8 x 1-7/8 in.
305	Tapped Flange, 1 in. BSP
306	Tapped Flange, 1 in. NPT
307	Tapped Flange, 2-1/2 in. BSP

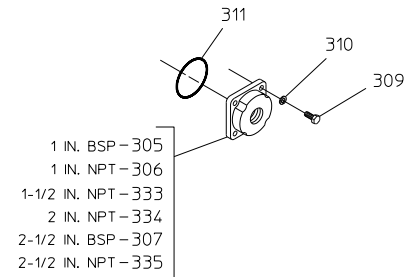
REF. NO.	DESCRIPTION
308	Blind Flange, 65 mm 4-Bolt
309	Hex Hd Screw, M10-1.5 x 30 mm
310	Lock Washer, 10 mm
311	O-ring, 3-3/8 x 3-5/8 in.
312	Discharge Elbow, 30 Degree
313	Discharge Elbow, 90 Degree with 1 in. BSP Tap
314	Discharge Elbow, 90 Degree with 1 in. NPT Tap
315	Pipe Plug, 1 in. BSP
316	Pipe Plug, 1 in. NPT
333	Tapped Flange, 1-1/2 in. NPT
334	Tapped Flange, 2 in. NPT
335	Tapped Flange, 2-1/2 in. NPT



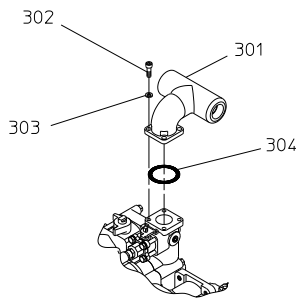
TAPPED FLANGE



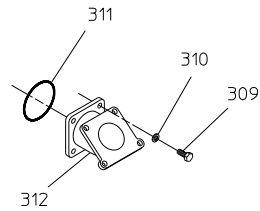
BLIND FLANGE



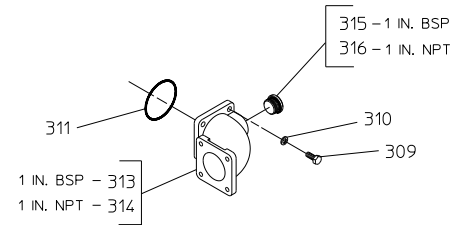
TAPPED FLANGE



MANIFOLD



30° ELBOW



90° ELBOW

**35 mm 4-BOLT FITTINGS**

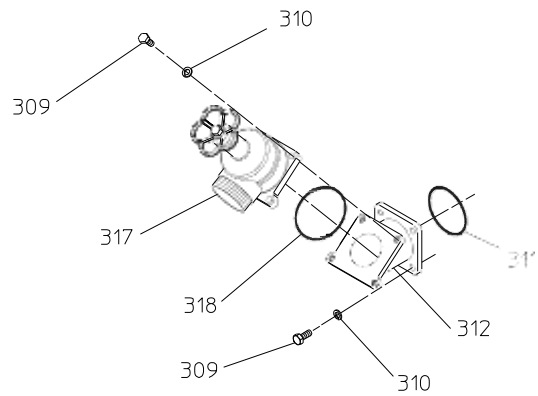
**65 mm 4-BOLT FITTINGS**

O-RING  
REPAIR KIT 42

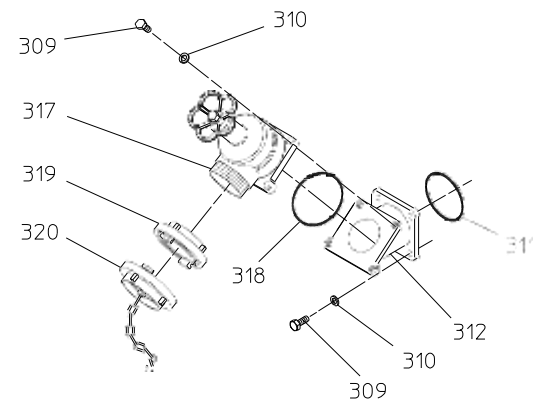
## 65 mm 4-Bolt Fittings

REF. NO.	DESCRIPTION
42	O-ring Repair Kit (Includes 304, 311, 318, 327, 330 plus O-rings for the Pump, see Ref No. 42 on SPL83155 or SPL83161)
309	Hex Hd Screw, M10-1.5 x 30 mm
310	Lock Washer, 10 mm
311	O-ring, 3-3/8 x 3-5/8 in.
312	Discharge Elbow, 30 Degree
313	Discharge Elbow, 90 Degree with 1 in. BSP Tap

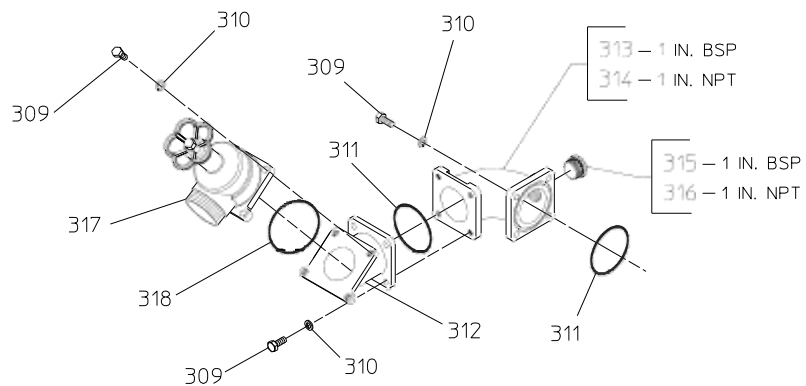
REF. NO.	DESCRIPTION
314	Discharge Elbow, 90 Degree with 1 in. NPT Tap
315	Pipe Plug, 1 in. BSP
316	Pipe Plug, 1 in. NPT
317	Discharge Valve, AWG, 2-1/2 in. BSP
318	O-ring, 93 mm x 99 mm
319	Storz Fitting, 65 mm x 2-1/2 in. BSP
320	Storz Cap, 65 mm



WITH 30° ELBOW

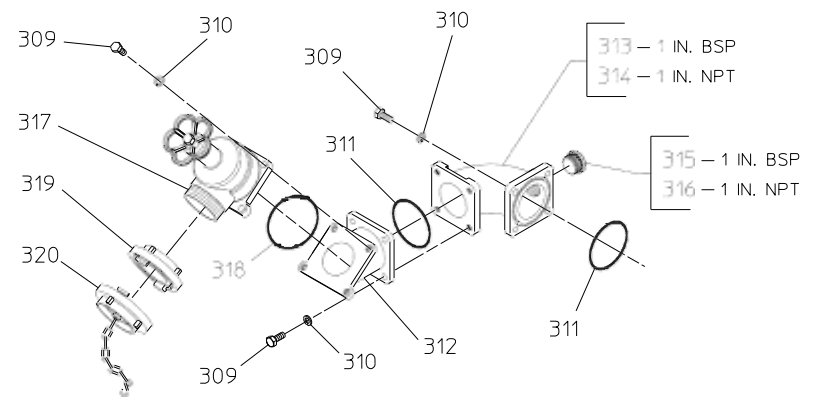


WITH 30° ELBOW



WITH 30° AND 90° ELBOWS

**2-1/2 IN. VALVE WITH BSP THREADS**



WITH 30° AND 90° ELBOWS

**2-1/2 IN. VALVE WITH STORZ ADAPTER**

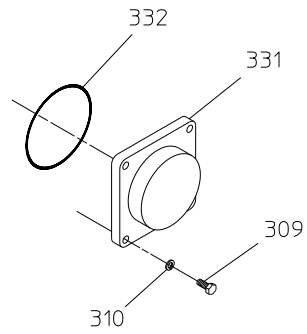
**65 4-BOLT FITTINGS**



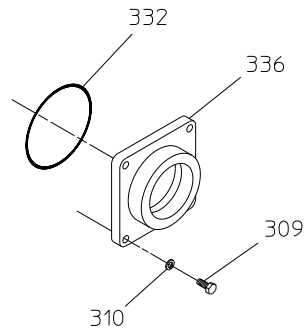
## 80 mm and 101 mm 4-Bolt Fittings

REF. NO.	DESCRIPTION
42	O-ring Repair Kit (Includes 304, 311, 318, 327, 330 plus O-rings for the Pump, see Ref No. 42 on SPL83155 or SPL83161)
309	Hex Hd Screw, M10-1.5 x 30 mm
310	Lock Washer, 10 mm
321	Blind Flange, 101 mm 4-Bolt
322	Foam Flange, 101 mm 4-Bolt
323	Blind Flange, Foam Pad
324	Intake Manifold

REF. NO.	DESCRIPTION
325	Hex Hd Screw, M8-1.25 x 25 mm
326	Lock Washer, 8 mm
327	O-ring, 1-5/8 x 1-7/8 in.
328	Hex Hd Screw, M12-1.75 x 30 mm
329	Lock Washer, 12 mm
330	O-ring, 4-1/2 x 4-3/4 in.
331	Blind Flange, 80 mm 4-Bolt
332	O-ring, 4-3/4 x 5 in.
336	Tapped Flange, 3 in. NPT

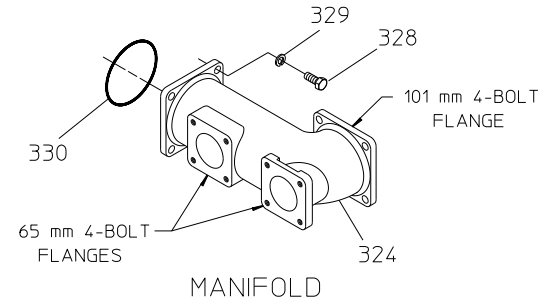


BLIND FLANGE

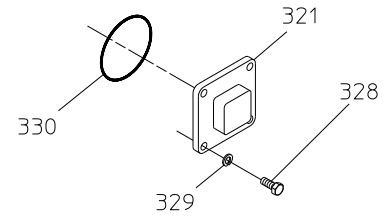


TAPPED FLANGE

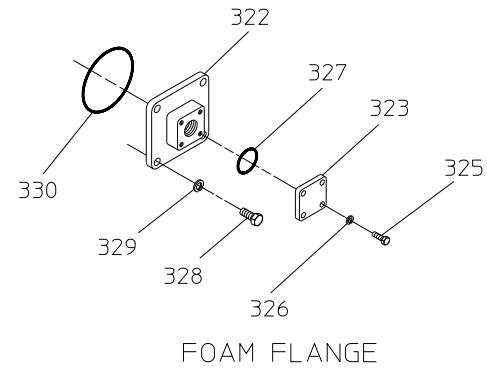
**80 mm 4-BOLT FITTINGS**



MANIFOLD



BLIND FLANGE



FOAM FLANGE

**101 mm 4-BOLT FITTINGS**

O-RING  
REPAIR KIT — 42