



Document Number	Issue Date	Rev. Date
<b>SPL83157</b>	<b>09/13/11</b>	<b>1/22/19</b>

## RTP Foam System Service Parts List

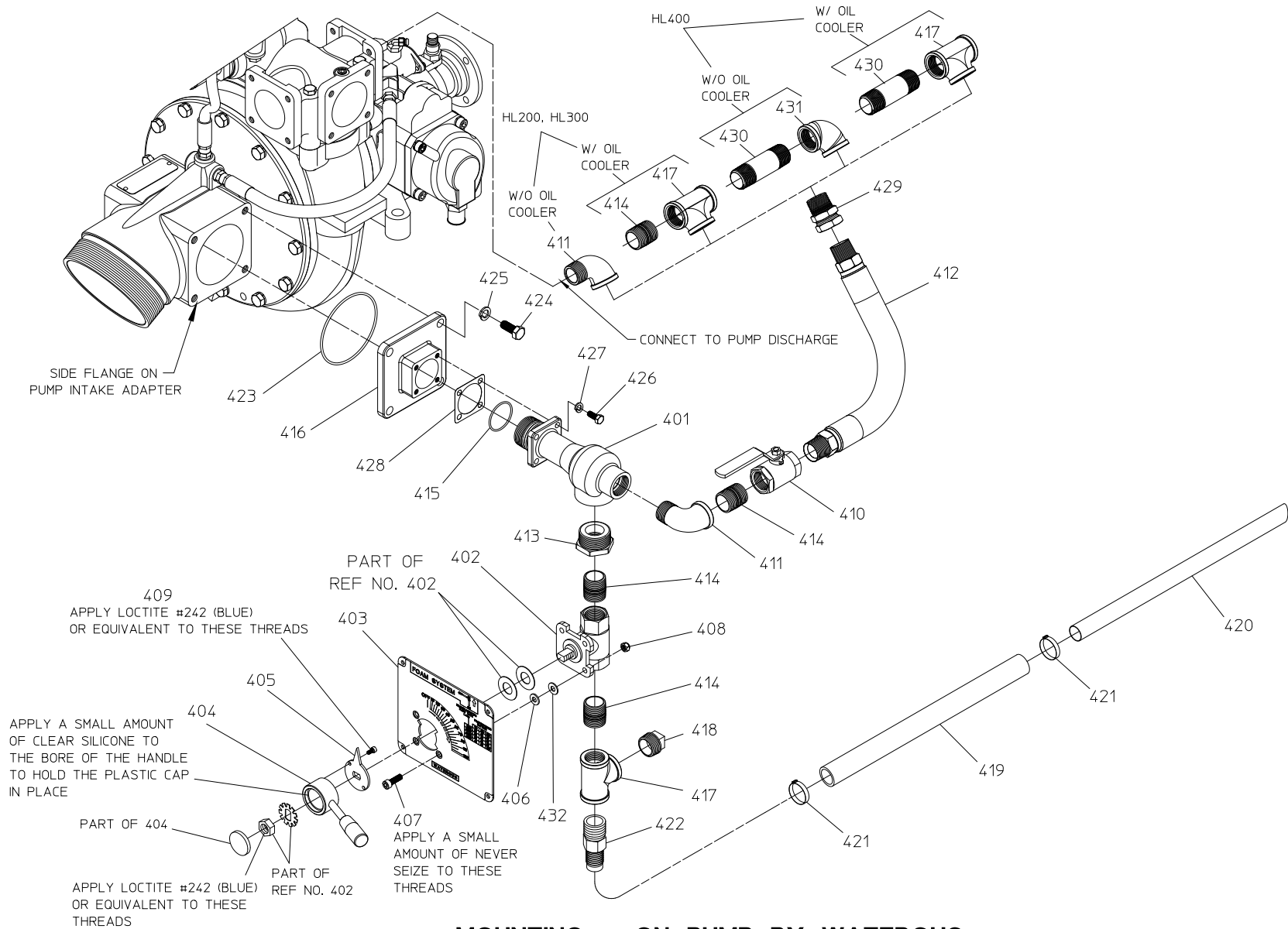
Index:

<b>Pump Model</b> <i>(Located on Pump Serial Plate)</i>			<b>Mounting</b>	<b>See Pages</b>
<b>HL200 Series</b>	<b>HL300 Series</b>	<b>HL400 Series</b>		
HL200D HL200K	HL300D HL300K	HL400D HL400K	On Pump by Waterous	2, 3
			By Truck Builder	4, 5
All Other Pump Models			By Truck Builder	

## Mounting - On Pump By Waterous

REF. NO.	DESCRIPTION
401	Eductor
402	Ball Valve, 1 in. NPT (Includes 5/16-18 UNF Hex Nut, Two Flat Washers and One Star Washer)
403	Panel Plate
404	Valve Handle (Includes Removable Cap)
405	Pointer
406	Flat Washer, Nylon, M8
407	Socket Hd Screw, M8-1.25 x 25 mm
408	Self Locking Nut, M8-1.25 mm
409	Socket Hd Screw, M5-.8 x 10mm
410	Ball Valve with Handle, 1 in. NPT
411	Street Elbow, 1 in. NPT
412	Hose, 1 in. NPT x 20 in.
413	Reducing Bushing, 1-1/2 in. NPT x 1 in. NPT
414	Pipe Nipple, 1 in. NPT x 1-1/2 in.
415	O-ring, 1-3/4 x 1-15/16 in.

REF. NO.	DESCRIPTION
416	Foam Flange
417	Tee, 1 in. NPT
418	Pipe Plug, 1 in. NPT
419	PVC Tubing, 1.38 in. O.D. x 48 in.
420	Wand
421	Hose Clamp, 1-3/8 in.
422	Nipple, 1 in. NPT (M) x 1 in. Hose (M)
423	O-ring, 4-1/2 x 4-3/4 in.
424	Hex Hd Screw, M12-1.75 x 30 mm
425	Lock Washer, 12 mm
426	Hex Hd Screw, M8-1.25 x 20 mm
427	Lock Washer, 8 mm
428	Foam Flange Gasket
429	Swivel, 1 in. NPT
430	Pipe Nipple, 1 in. NPT x 4 in.
431	Elbow, 90 Deg., 1 in. NPT
432	Flat Washer, Brass, 5/16 in.

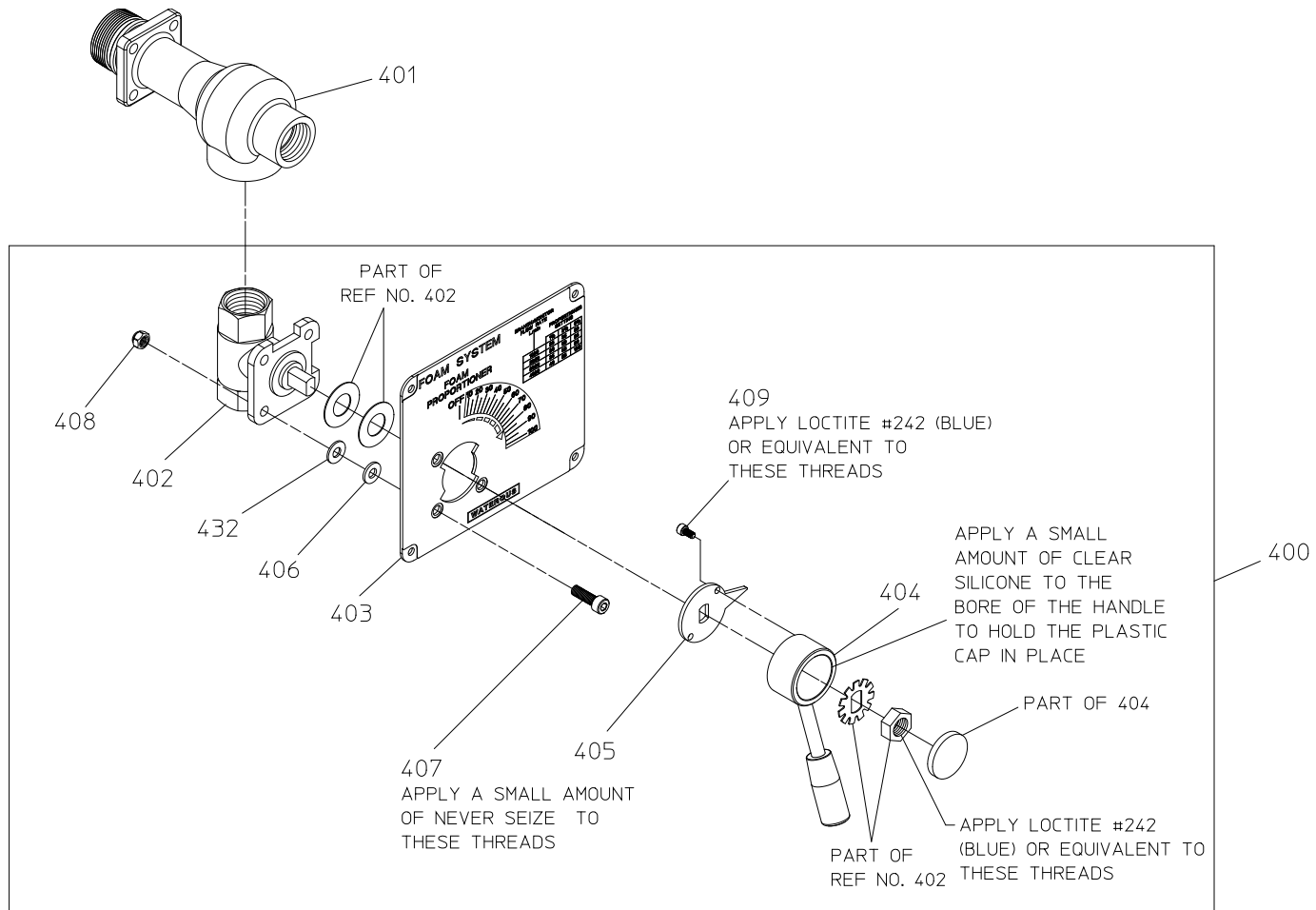


**MOUNTING – ON PUMP BY WATEROUS**

## Mounting - By Truck Builder

REF. NO.	DESCRIPTION
400	Proportioning Valve Assembly
401	Eductor
402	Ball Valve, 1 in. NPT (Includes 5/16-18 UNF Hex Nut, Two Flat Washers and One Star Washer)
403	Panel Plate
404	Valve Handle (Includes Removable Cap)

REF. NO.	DESCRIPTION
405	Pointer
406	Flat Washer, Nylon, M8
407	Socket Hd Screw, M8-1.25 x 25 mm
408	Self Locking Nut, M8-1.25 mm
409	Socket Hd Screw, M5-.8 x 10 mm
432	Flat Washer, Brass, 5/16 in.



NOTE: ALL PLUMBING COMPONENTS CONNECTING PROPORTIONING VALVE AND EDUCTOR TO THE FIRE PUMP WERE FURNISHED BY THE TRUCK BUILDER.

## MOUNTING – BY TRUCK BUILDER