



Document Number	Issue Date	Rev. Date
SPL83160	03/29/11	9/11/19

Heavy Duty K Transmission Service Parts List

(As used with HL Series Fire Pumps)

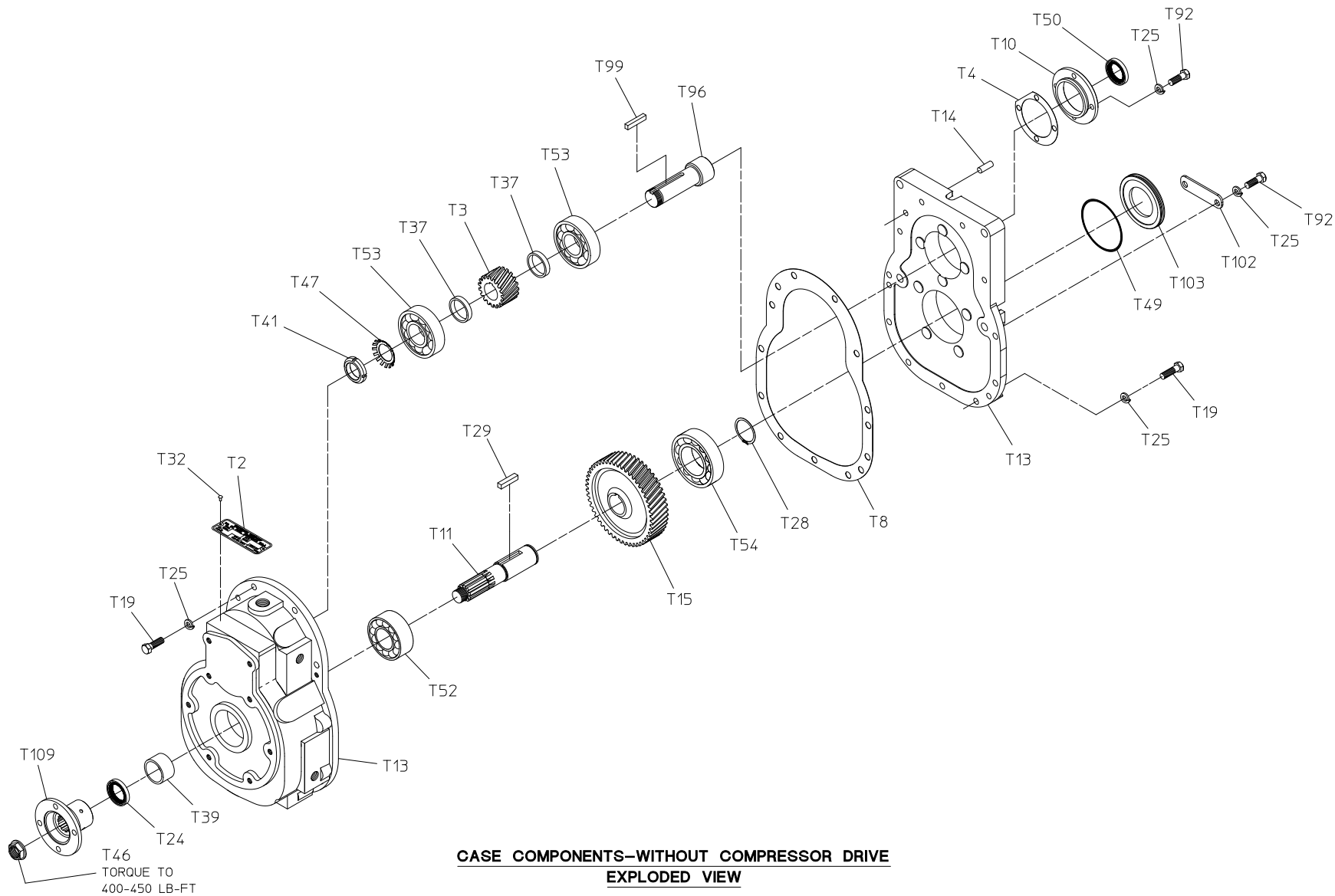
Index:

Item		See Pages	
		Optional Compressor Drive (Extended Shaft)	
		Without	With
Case Components	Exploded View	2, 3	6, 7
	Cross-Section View	4, 5	8, 9
Mounting on Pump	Connection to Pump	10, 11	12, 13
	Optional Case Positions	14, 15	14, 15
Optional Oil Cooler	Standard Intake Adapter (Prior to September 10, 2019)	16, 17	-
	Standard Intake Adapter (After September 10, 2019)	18, 19	-
	Short Intake Adapter	20, 21	

Case Components - Without Compressor Drive - Exploded View

REF. NO.	DESCRIPTION
T2	Serial plate
T3	Driven gear
T4	Gasket
T8	Gasket
T10	Oil seal housing
T11	Drive shaft
T13	Gear case subassembly
T14	Dowel pin, 3/8 x 1 in.
T15	Drive gear
T19	Hex hd screw, 3/8-16 x 1-1/4 in., Grade 5
T24	Oil seal, 1-5/8 x 2-7/16 in.
T25	Lock washer, 3/8 in.
T28	Retaining ring
T29	Square key, 3/8 x 1-3/4 in.
T32	Drive screw, no. 6 x 1/4 in.
T37	Bearing spacer
T39	Oil seal sleeve

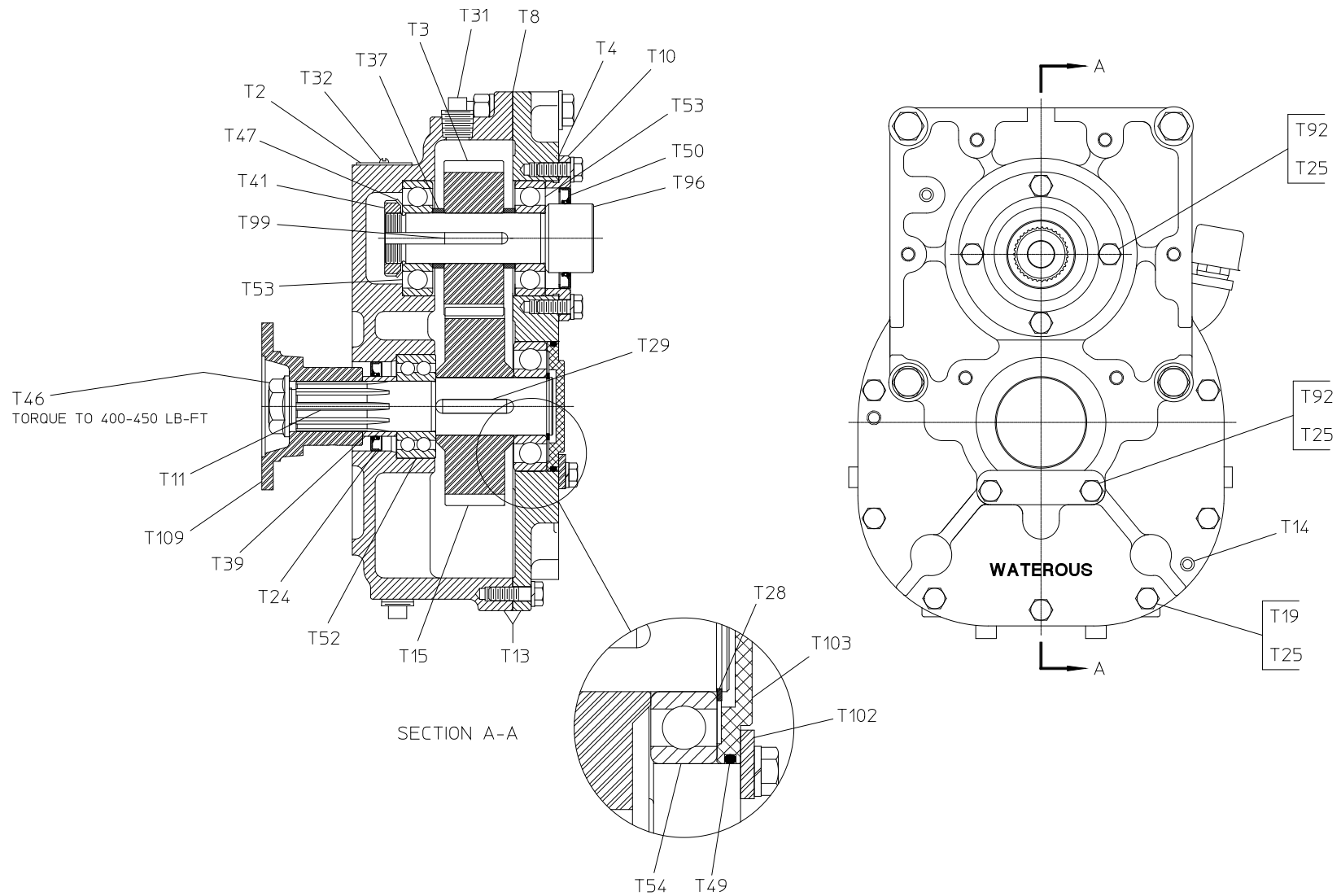
REF. NO.	DESCRIPTION
T41	Bearing lock nut
T46	Shaft nut, 1-20
T47	Bearing lock washer
T49	O-ring, 3-1/4 x 3-1/2 in.
T50	Oil seal, 1-7/8 x 2-3/4 in.
T52	Ball bearing
T53	Ball bearing
T54	Ball bearing
T92	Hex hd screw, 3/8-16 x 1 in.
T96	Driven shaft
T99	Square key, 5/16 x 1-9/16 in. (all ratios except 2.83) Rectangular key, 1/4 x 5/16 x 1-9/16 in. (2.83 ratio only)
T102	Retaining strap
T103	Disk cover
T109	Companion flange or end yoke



Case Components - Without Compressor Drive - Cross-Section View

REF. NO.	DESCRIPTION
T2	Serial plate
T3	Driven gear
T4	Gasket
T8	Gasket
T10	Oil seal housing
T11	Drive shaft
T13	Gear case subassembly
T14	Dowel pin, 3/8 x 1 in.
T15	Drive gear
T19	Hex hd screw, 3/8-16 x 1-1/4 in., Grade 5
T24	Oil seal, 1-5/8 x 2-7/16 in.
T25	Lock washer, 3/8 in.
T28	Retaining ring
T29	Square key, 3/8 x 1-3/4 in.
T32	Drive screw, no. 6 x 1/4 in.
T37	Bearing spacer
T39	Oil seal sleeve

REF. NO.	DESCRIPTION
T41	Bearing lock nut
T46	Shaft nut, 1-20
T47	Bearing lock washer
T49	O-ring, 3-1/4 x 3-1/2 in.
T50	Oil seal, 1-7/8 x 2-3/4 in.
T52	Ball bearing
T53	Ball bearing
T54	Ball bearing
T92	Hex hd screw, 3/8-16 x 1 in.
T96	Driven shaft
T99	Square key, 5/16 x 1-9/16 in.
T102	Retaining strap
T103	Disk cover
T109	Companion flange or end yoke

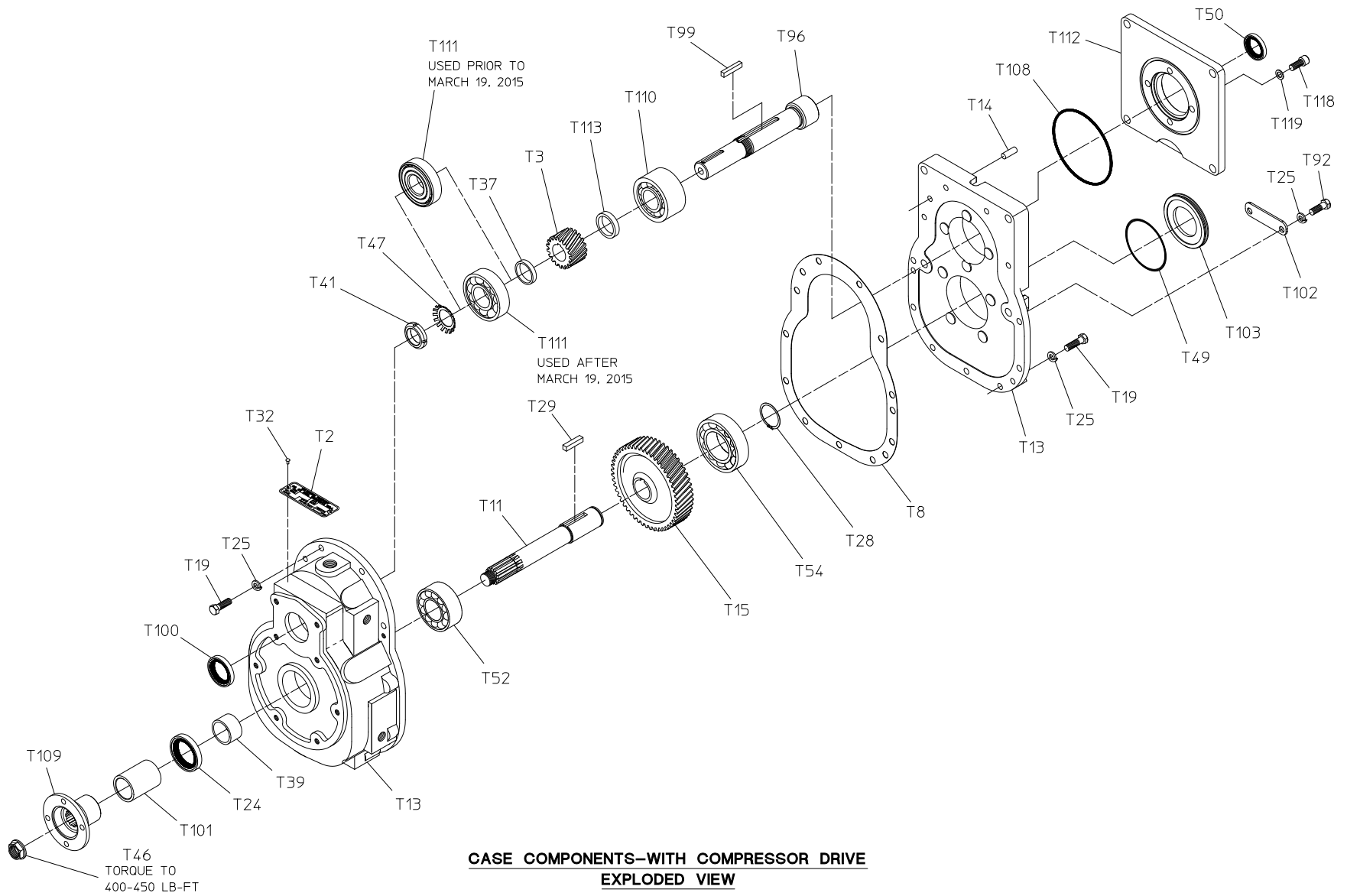


CASE COMPONENTS—WITHOUT COMPRESSOR DRIVE
CROSS-SECTION VIEW

Case Components - With Compressor Drive - Exploded View

REF. NO.	DESCRIPTION
T2	Serial plate
T3	Driven gear
T8	Gasket
T11	Drive shaft
T13	Gear case subassembly
T14	Dowel pin, 3/8 x 1 in.
T15	Drive gear
T19	Hex hd screw, 3/8-16 x 1-1/4 in., Grade 5
T24	Oil seal, 1-5/8 x 2-7/16 in.
T25	Lock washer, 3/8 in.
T28	Retaining ring
T29	Square key, 3/8 x 1-3/4 in.
T32	Drive screw, no. 6 x 1/4 in.
T37	Bearing spacer
T39	Oil seal sleeve
T41	Bearing lock nut
T46	Shaft nut, 1-20
T47	Bearing lock washer

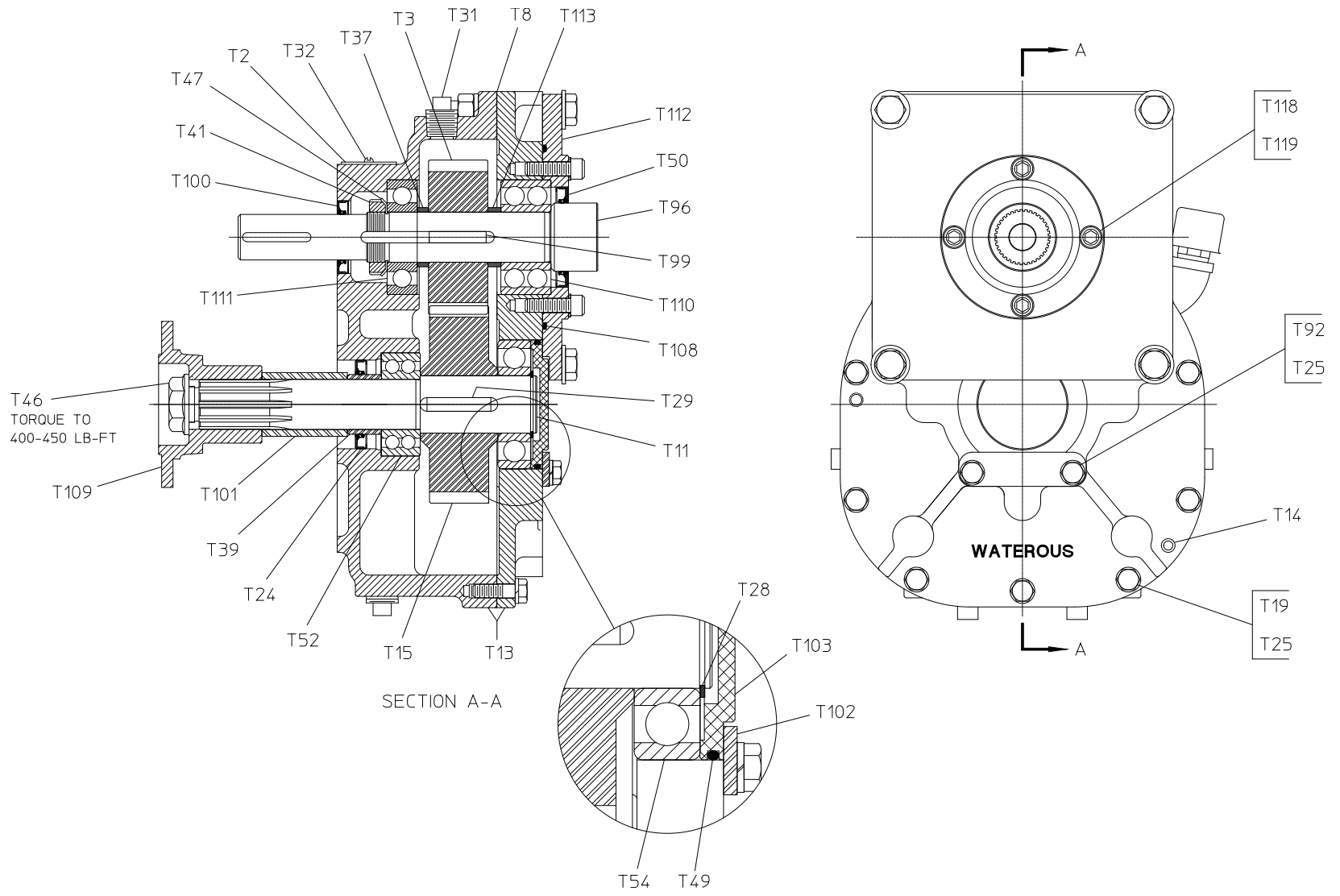
REF. NO.	DESCRIPTION
T49	O-ring, 3-1/4 x 3-1/2 in.
T50	Oil seal, 1-7/8 x 2-3/4 in.
T52	Ball bearing
T54	Ball bearing
T92	Hex hd screw, 3/8-16 x 1 in.
T96	Driven shaft
T99	Square key, 5/16 x 1-9/16 in.
T100	Oil seal, 1-1/4 x 2 in.
T101	Drive shaft spacer
T102	Retaining strap
T103	Disk cover
T108	O-ring, 4-3/4 x 5 in.
T109	Companion flange or end yoke
T110	Ball bearing, double row
T111	Ball bearing, single row
T112	Transmission adapter plate
T113	Bearing spacer
T118	Socket head cap screw, 3/8-16 x 1-1/4 in.
T119	Copper washer, 3/8 in.



Case Components - With Compressor Drive - Cross-Section View

REF. NO.	DESCRIPTION
T2	Serial plate
T3	Driven gear
T8	Gasket
T11	Drive shaft
T13	Gear case subassembly
T14	Dowel pin, 3/8 x 1 in.
T15	Drive gear
T19	Hex hd screw, 3/8-16 x 1-1/4 in., Grade 5
T24	Oil seal, 1-5/8 x 2-7/16 in.
T25	Lock washer, 3/8 in.
T28	Retaining ring
T29	Square key, 3/8 x 1-3/4 in.
T32	Drive screw, no. 6 x 1/4 in.
T37	Bearing spacer
T39	Oil seal sleeve
T41	Bearing lock nut
T46	Shaft nut, 1-20
T47	Bearing lock washer

REF. NO.	DESCRIPTION
T49	O-ring, 3-1/4 x 3-1/2 in.
T50	Oil seal, 1-7/8 x 2-3/4 in.
T52	Ball bearing
T54	Ball bearing
T92	Hex hd screw, 3/8-16 x 1 in.
T96	Driven shaft
T99	Square key, 5/16 x 1-9/16 in.
T100	Oil seal, 1-1/4 x 2 in.
T101	Drive shaft spacer
T102	Retaining strap
T103	Disk cover
T108	O-ring, 4-3/4 x 5 in.
T109	Companion flange or end yoke
T110	Ball bearing, double row
T111	Ball bearing, single row
T112	Transmission adapter plate
T113	Bearing spacer
T118	Socket head cap screw, 3/8-16 x 1-1/4 in.
T119	Copper washer, 3/8 in.

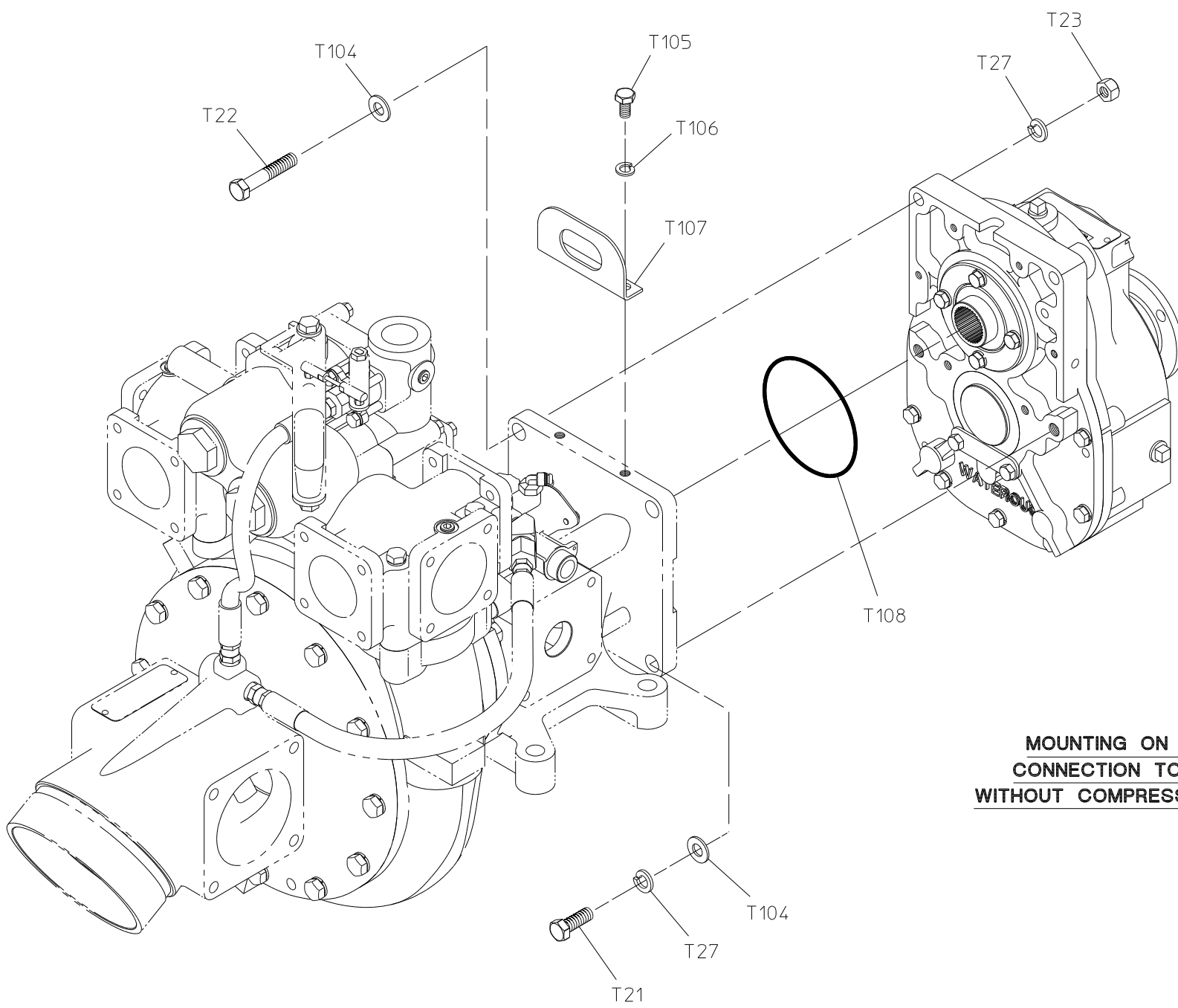


CASE COMPONENTS—WITH COMPRESSOR DRIVE
CROSS-SECTION VIEW

Mounting on Pump - Connection to Pump - Without Compressor Drive

REF. NO.	DESCRIPTION
T21	Hex hd screw, 1/2-13 x 1-1/2, Grade 5
T22	Hex hd screw, 1/2-20 x 2-3/4 in., Grade 5, zinc plated
T23	Hex nut, 1/2-20
T27	Lock washer, 1/2 in.

REF. NO.	DESCRIPTION
T104	Plain washer, 1/2 in.
T105	Hex hd screw, M10 x 1.5 x 20 in.
T106	Spring lock washer, M10
T107	Lifting bracket
T108	O-ring, 4-3/4 x 5 in.

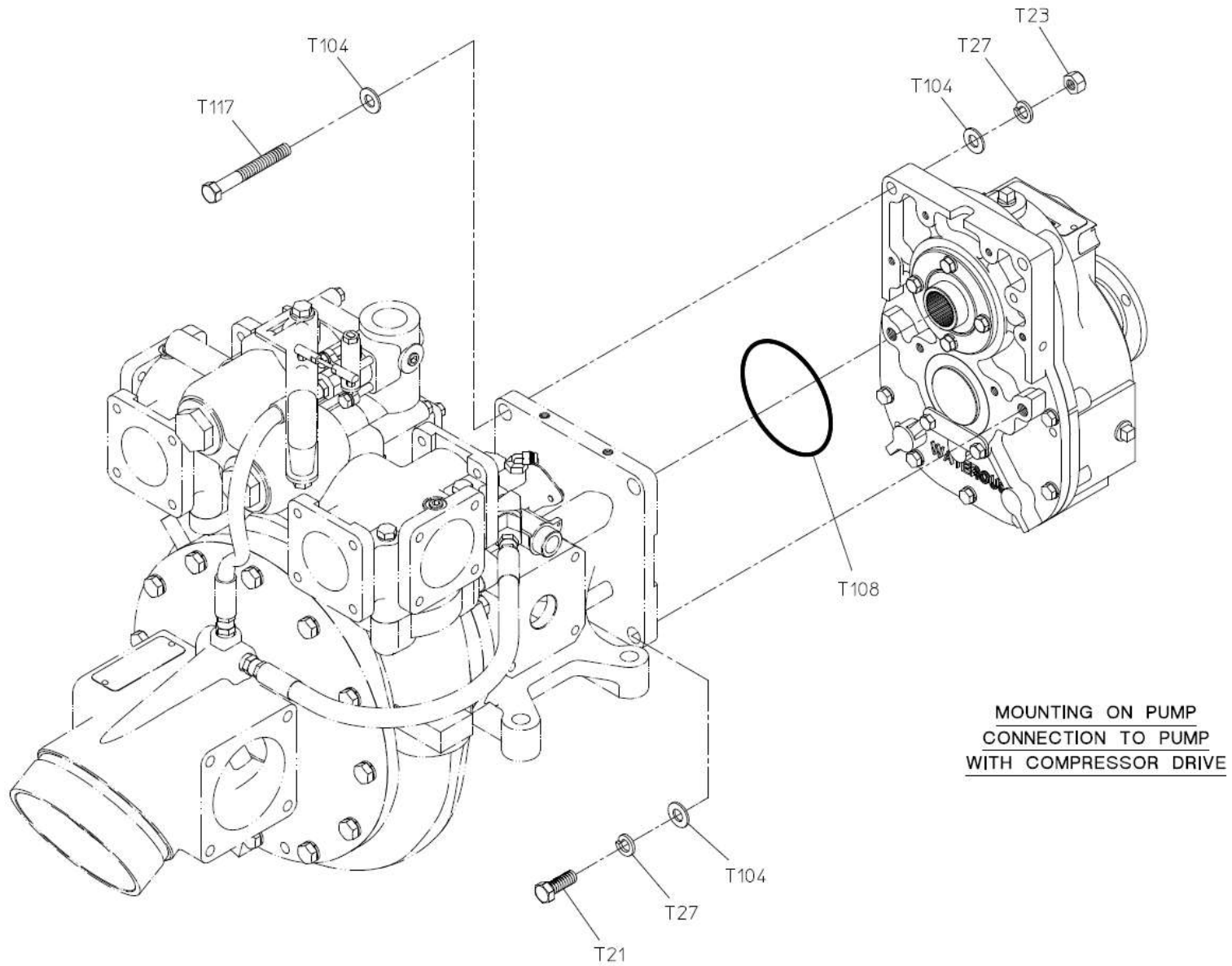


MOUNTING ON PUMP
CONNECTION TO PUMP
WITHOUT COMPRESSOR DRIVE

Mounting on Pump - Connection to Pump - With Compressor Drive

REF. NO.	DESCRIPTION
T23	Hex nut, 1/2-20
T27	Lock washer, 1/2 in.

REF. NO.	DESCRIPTION
T104	Plain washer, 1/2 in.
T108	O-ring, 4-3/4 x 5 in.
T116	Hex hd screw, 1/2-13 x 2, Grade 5
T117	Hex hd screw, 1/2-20 x 4-1/4 in., Grade 8, zinc plated

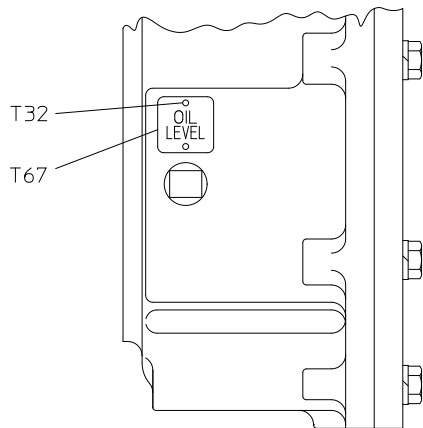
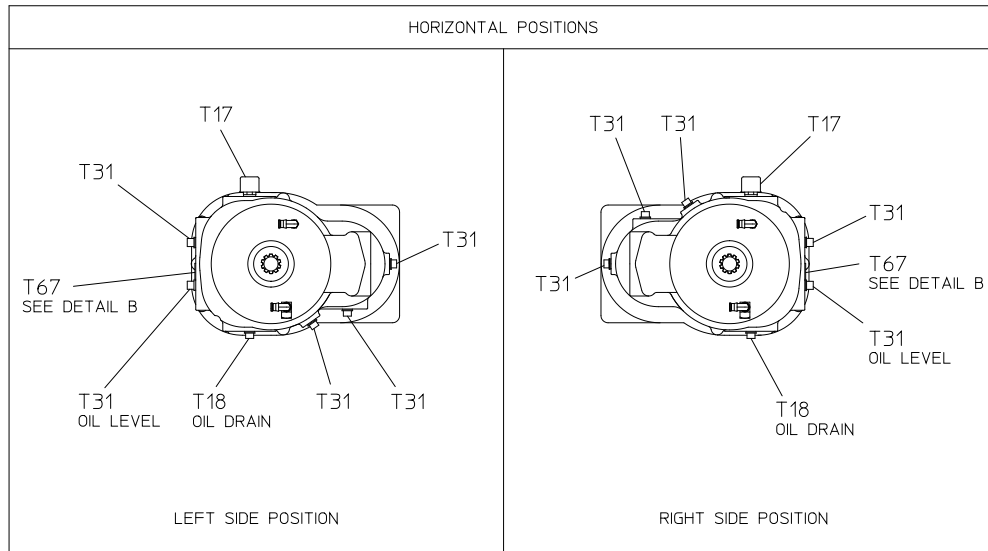
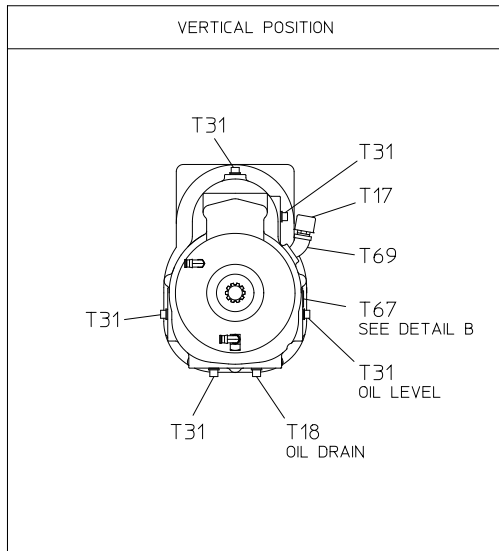


MOUNTING ON PUMP
CONNECTION TO PUMP
WITH COMPRESSOR DRIVE

Mounting of Pump - Optional Case Positions

REF. NO.	DESCRIPTION
T17	Breather, 1/2 NPT
T18	Magnetic drain plug, 1/2 NPT
T31	Pipe plug, 1/2 NPT, steel
T32	Drive screw, no. 6 x 1/4 in.

REF. NO.	DESCRIPTION
T67	Oil level plate
T69	Street elbow, 45° x 1/2 NPT



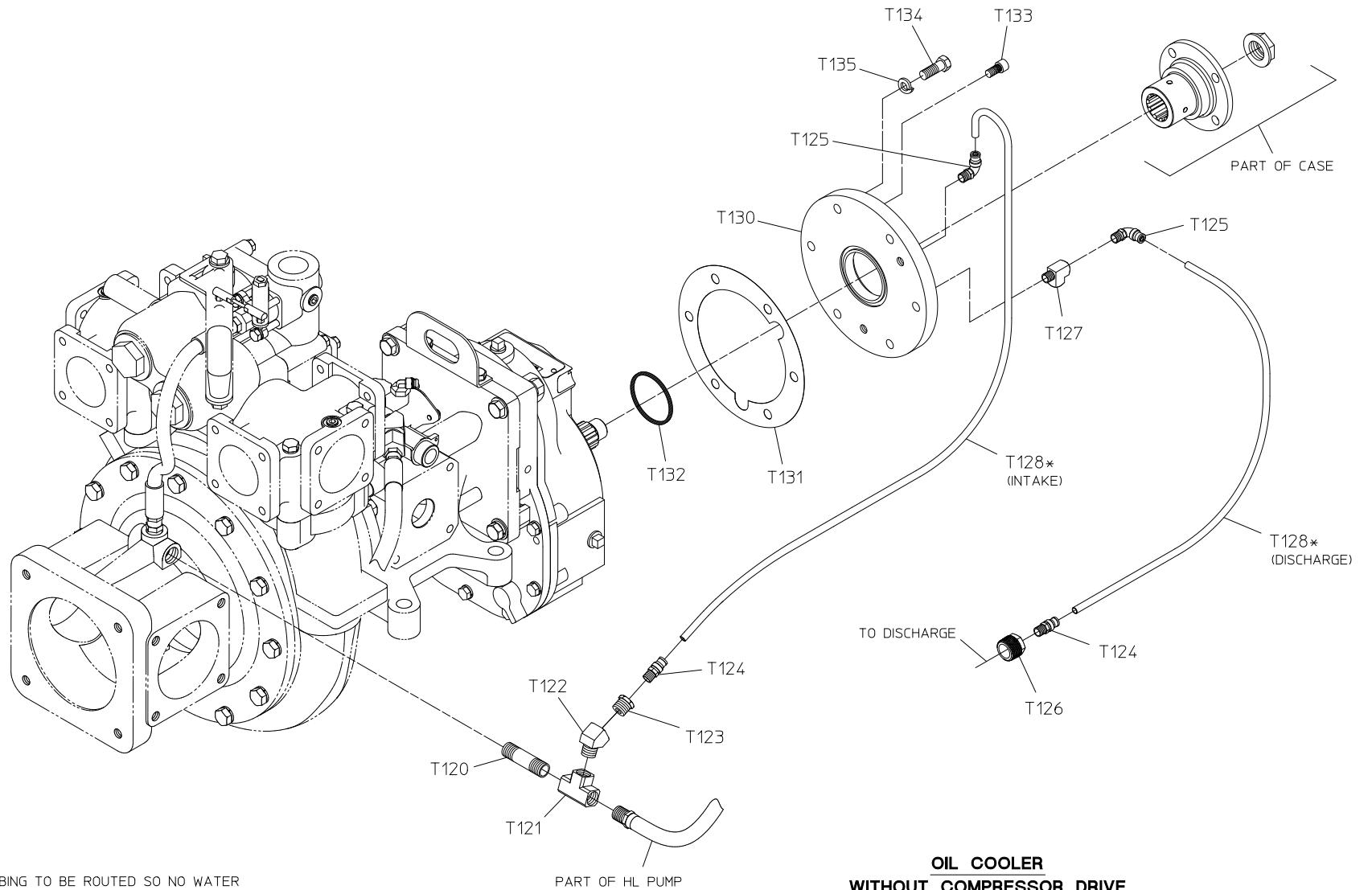
DETAIL B

OPTIONAL CASE MOUNTING POSITIONS

**Optional Oil Cooler - Without Compressor Drive
(Standard Intake Adapter)
(Prior to September 10, 2019)**

REF. NO.	DESCRIPTION
T120	Pipe Nipple, ½ NPT x 3 in.
T121	Female Tee, ½ NPT
T122	Street Elbow, 45 Degrees x ½ NPT
T123	Reducing Bushing, ½ NPT x ¼ NPT
T124	Adapter, ⅜ PTC x ¼ NPT
T125	90 Degree Elbow, ⅜ PTC x ¼ NPT
T126	Reducing Bushing, 1 NPT x ¼ NPT
T127	Street Tee, ¼ NPT

REF. NO.	DESCRIPTION
T128	Black Tubing, ⅜ in.
T130	Cooling Plate
T131	Cooling Gasket
T132	O-ring, 2-3/4 x 3 in.
T133	Socket Head Screw, 7/16 x 7/8 in.
T134	Hex Head Screw, 7/16 x 1-1/2 in.
T135	Lock Washer, 7/16 in.



* TUBING TO BE ROUTED SO NO WATER
CAN BE TRAPPED IN LINE. TUBE MUST BE
ABLE TO DRAIN INTO COOLER OR INTAKE.

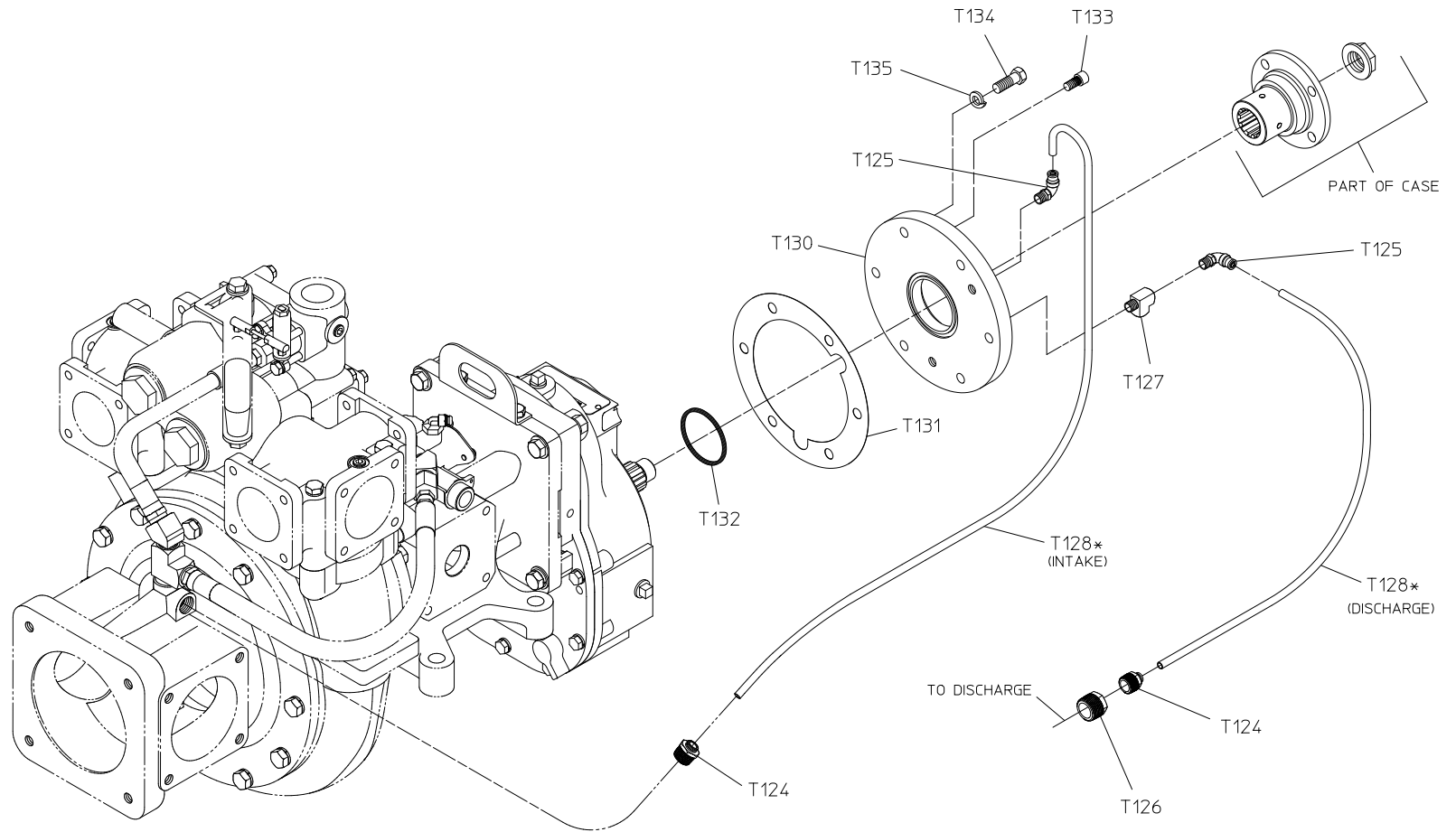
**OIL COOLER
WITHOUT COMPRESSOR DRIVE**

(STANDARD INTAKE ADAPTER)
(USED PRIOR TO SEPTEMBER 10, 2019)

**Optional Oil Cooler - Without Compressor Drive
(Standard Intake Adapter)
(After to September 10, 2019)**

REF. NO.	DESCRIPTION
T124	Adapter, 3/8 PTC x 1/2 NPT
T125	90 Degree Elbow, 3/8 PTC x 1/4 NPT
T126	Reducing Bushing, 1 NPT x 1/4 NPT
T127	Street Tee, 1/4 NPT

REF. NO.	DESCRIPTION
T128	Black Tubing, 3/8 in.
T130	Cooling Plate
T131	Cooling Gasket
T132	O-ring, 2-3/4 x 3 in.
T133	Socket Head Screw, 7/16 x 7/8 in.
T134	Hex Head Screw, 7/16 x 1-1/2 in.
T135	Lock Washer, 7/16 in.



* TUBING TO BE ROUTED SO NO WATER
CAN BE TRAPPED IN LINE. TUBE MUST BE
ABLE TO DRAIN INTO COOLER OR INTAKE.

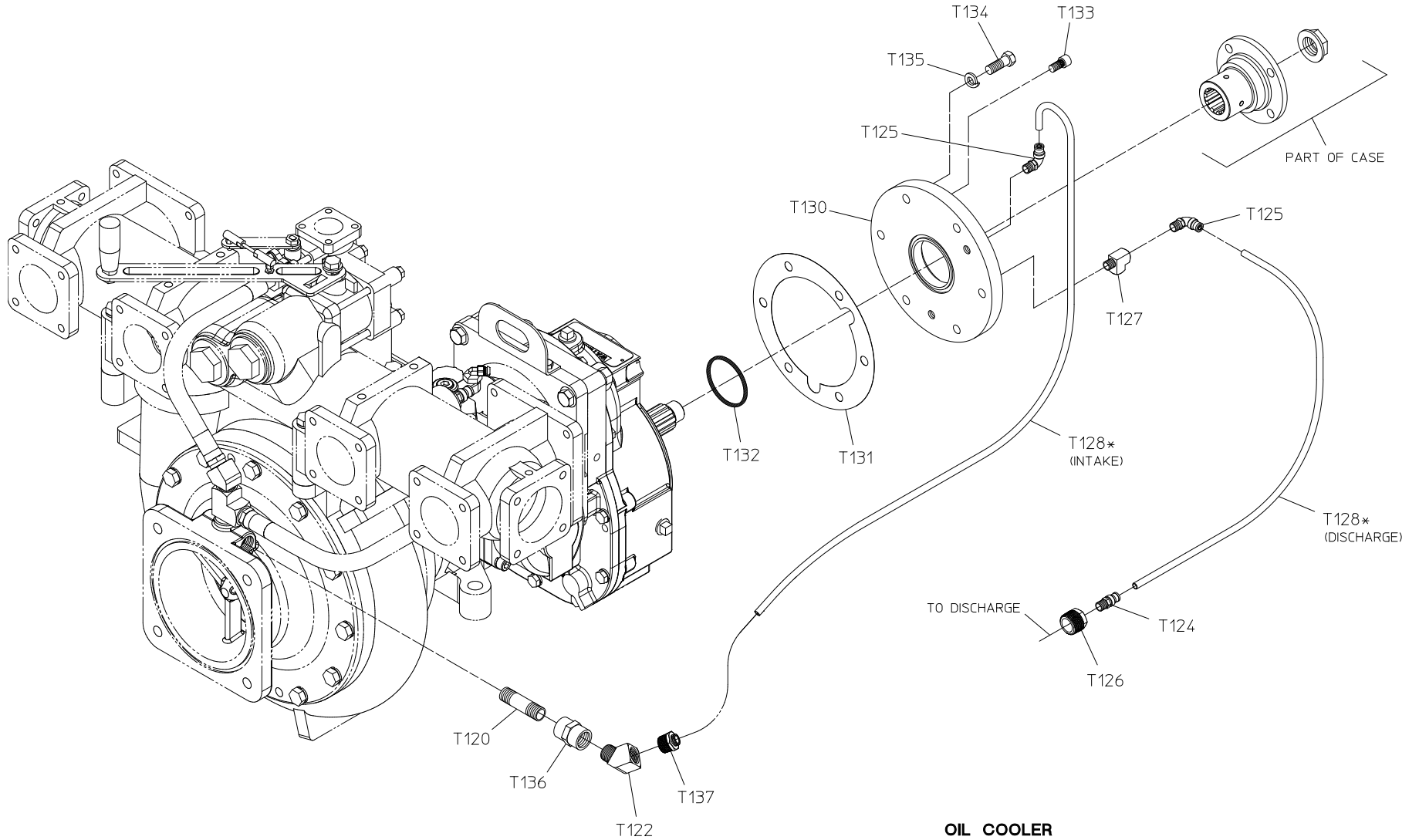
**OIL COOLER
WITHOUT COMPRESSOR DRIVE**

(STANDARD INTAKE ADAPTER)
(USED AFTER SEPTEMBER 10, 2019)

**Optional Oil Cooler - Without Compressor Drive
(Short Intake Adapter)**

REF. NO.	DESCRIPTION
T120	Pipe Nipple, 1/2 NPT x 3 in.
T122	Street Elbow, 45 Degrees x 1/2 NPT
T124	Adapter, 3/8 PTC x 1/4 NPT
T125	90 Degree Elbow, 3/8 PTC x 1/4 NPT
T126	Reducing Bushing, 1 NPT x 1/4 NPT
T127	Street Tee, 1/4 NPT
T128	Black Tubing, 3/8 in.
T130	Cooling Plate

REF. NO.	DESCRIPTION
T131	Cooling Gasket
T132	O-ring, 2-3/4 x 3 in.
T133	Socket Head Screw, 7/16 x 7/8 in.
T134	Hex Head Screw, 7/16 x 1-1/2 in.
T135	Lock Washer, 7/16 in.
T136	1/2 in. Brass Coupler
T137	3/8 x 1/2 in. MPT DOT PTC



* TUBING TO BE ROUTED SO NO WATER
CAN BE TRAPPED IN LINE. TUBE MUST BE
ABLE TO DRAIN INTO COOLER OR INTAKE.

OIL COOLER
WITHOUT COMPRESSOR DRIVE
(SHORT INTAKE ADAPTER)