



| | | |
|------------------------------------|-------------------------------|-----------------------------|
| Document Number SPL83164 | Issue Date 02/16/12 | Rev. Date 7/16/21 |
|------------------------------------|-------------------------------|-----------------------------|

CR Series Pump Body Service Parts Lists

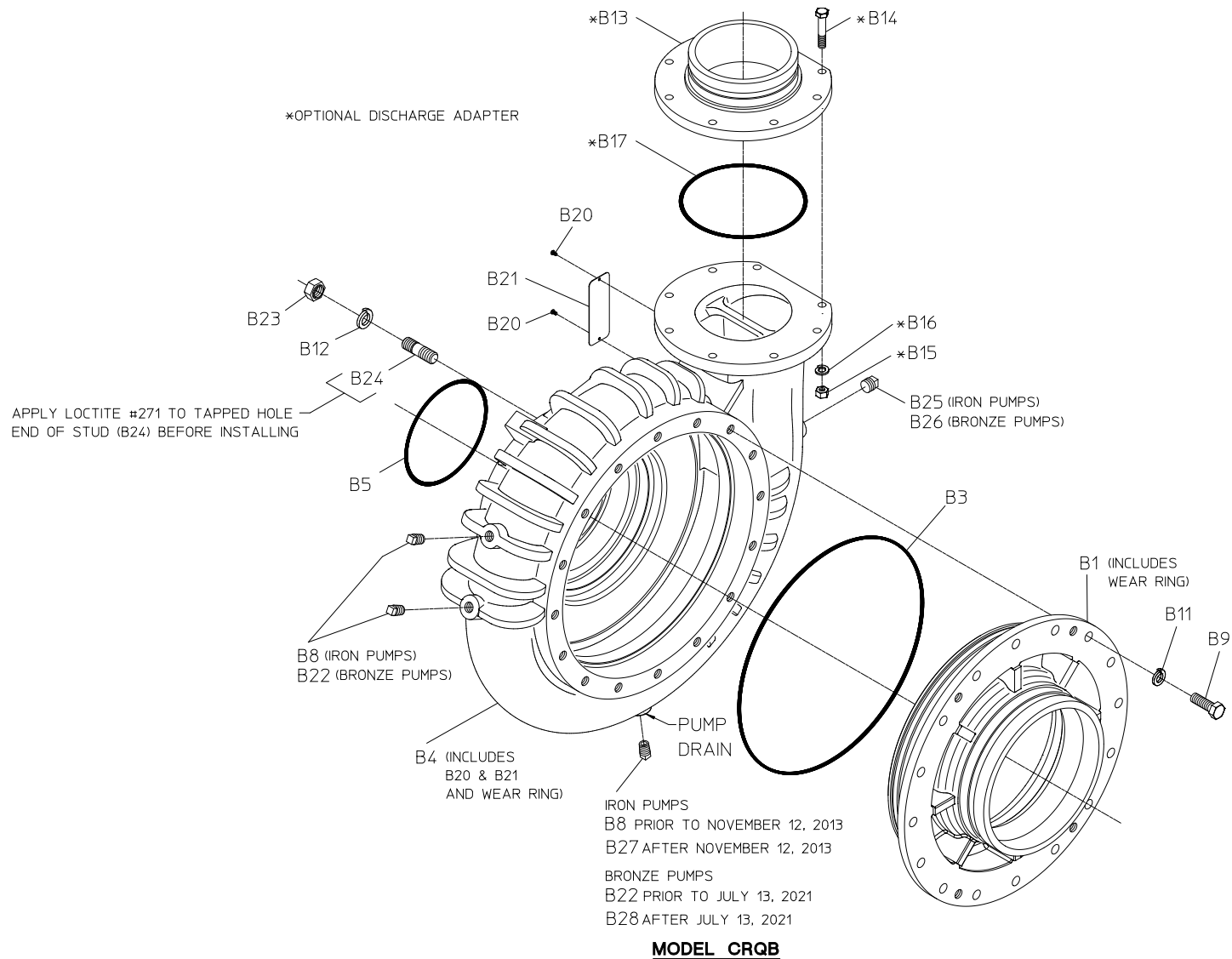
Index:

| Pump Model <i>(Located on Pump Serial Plate)</i> | See Page |
|------------------------------------------------------------|------------------------------------|
| CR | See Service Parts List SPL82044 |
| CRQA | |
| CRQB | 2, 3 |
| CRQC | 4, 5 |

Model CRQB

| REF NO. | DESCRIPTION |
|---------|-----------------------------------------------|
| B1 | Intake Adapter (Includes Wear Ring) |
| B3 | O-ring, 13 x 13-1/4 in. |
| B4 | Volute Body (Includes B20, B21 and Wear Ring) |
| B5 | O-ring, 5-5/8 x 5-7/8 in. |
| B8 | Pipe Plug, 1/4 NPT (Iron Pumps) |
| B9 | Hex Hd Screw, 1/2-13 x 1-1/2 in. |
| B11 | Lock Washer, 1/2 in. |
| B12 | Lock Washer, 5/8 in. |
| B13 | Discharge Adapter |
| B14 | Hex Hd Screw, 3/8-24 x 2 in. |
| B15 | Hex Nut, 3/8-24 |

| REF NO. | DESCRIPTION |
|---------|-----------------------------------------|
| B16 | Lock Washer, 3/8 in. |
| B17 | O-ring, 6-1/4 x 6-1/2 in. |
| B20 | Round Head Drive Screw, No. 6 x 1/4 in. |
| B21 | Serial Plate |
| B22 | Pipe Plug, 1/4 NPT (Bronze Pumps) |
| B23 | Hex Nut, 5/8-18 |
| B24 | Stud, 5/8 UNC x UNF x 2-3/16 in. Long |
| B25 | Pipe Plug, 3/8 NPT (Iron Pumps) |
| B26 | Pipe Plug, 3/8 NPT (Bronze Pumps) |
| B27 | Pipe Plug, 3/4 NPT (Iron Pumps) |
| B28 | Pipe Plug, 3/4 NPT (Bronze Pumps) |



Model CRQC

| REF NO. | DESCRIPTION |
|---------|-----------------------------------------------|
| B1 | Intake Adapter (Includes Wear Ring) |
| B2 | Mounting Bracket |
| B3 | O-ring, 13 x 13-1/4 in. |
| B4 | Volute Body (Includes B20, B21 and Wear Ring) |
| B8 | Pipe Plug, 1/4 NPT (Iron Pumps) |
| B9 | Hex Hd Screw, 1/2-13 x 1-1/2 in. |
| B11 | Lock Washer, 1/2 in. |

| REF NO. | DESCRIPTION |
|---------|-----------------------------------|
| B20 | Drive Screw, No. 6 x 1/4 in. |
| B21 | Serial Plate |
| B22 | Pipe Plug, 1/4 NPT (Bronze Pumps) |
| B25 | Pipe Plug, 3/8 NPT (Iron Pumps) |
| B26 | Pipe Plug, 3/8 NPT (Bronze Pumps) |
| B27 | Pipe Plug, 3/4 NPT (Iron Pumps) |
| B28 | Pipe Plug, 3/4 NPT (Bronze Pumps) |

