

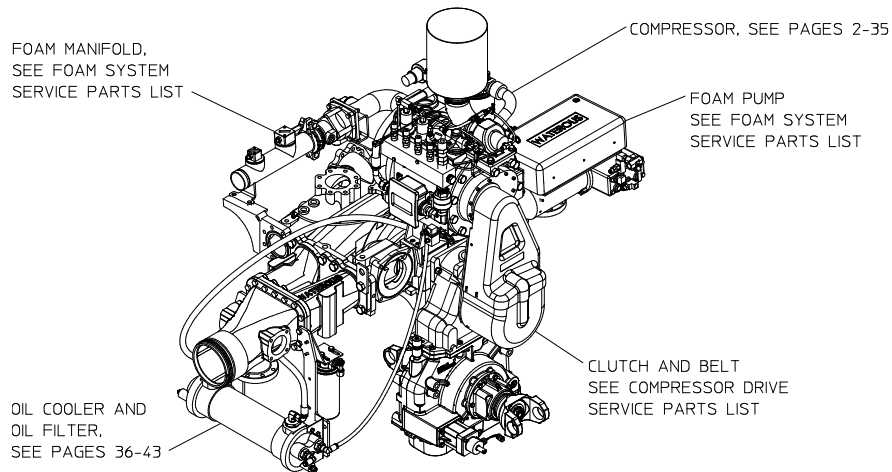


Document Number	Issue Date	Rev. Date
SPL83247	03/13/14	2/4/21

Eclipse™ Encapsulated Air Compressor Service Parts List (Models ECL-100 and ECL-300)

Index:

Component		See Page	
		CM Series Fire Pumps	CS Series Fire Pumps
Compressor	Mounting on Pump	2, 3	4, 5
	Subassembly	6, 7	6, 7
	Air End	8, 9	8, 9
	Air/Oil Separator	10, 11	10, 11
	Sump	12, 13	12, 13
	Air Inlet	14, 15	14, 15
	PMC	16, 17	16, 17
	Balance Valve	18, 19	18, 19
	Auto-Sync	20, 21	20, 21
	Air Manifold	22, 23	22, 23
	Clutch Air Solenoid	24, 25	24, 25
	Mounting Plate	26, 27	26, 27
Air Circuit Tubing	Red	28, 29	28, 29
	Blue	30, 31	30, 31
	Green and Yellow	32, 33	32, 33
	Black	34, 35	34, 35
Oil Cooler and Oil Filter	Mounting on Pump	36, 37	36, 37
	Components	38, 39	38, 39
	Oil Lines	40, 41	40, 41
	Water Lines	42, 43	42, 43
Electrical Relay Panel	Components	44, 45	44, 45
	Mounting on Pump	See Compressor Drive Service Parts List	
Wiring Schematic	Furnished by Waterous	46, 47	46, 47
	Furnished by OEM	48, 49	48, 49
Operator's Panel Components		50, 51	50, 51
Compressor Drive Belt and Clutch		See Compressor Drive Service Parts List	



Compressor - Mounting on Pump

CM Series Fire Pumps

REF. NO.	DESCRIPTION
10	Short Compressor Tank Shim
11	Long Compressor Tank Shim
12	Lifting Lug
27	90 Degree Elbow, ¼ MNPT x ¼ AB
30	Hex Head Screw, ½-13 x 1-1/4 in.

REF. NO.	DESCRIPTION
32	Hex Head Screw, ¾-10 x 2-1/4 in.
39	Plain Washer, ½ in.
42	Lock Washer, ½ in.
44	Dowel Pin, 7/16 x 1-1/2 in.
200	Compressor Subassembly

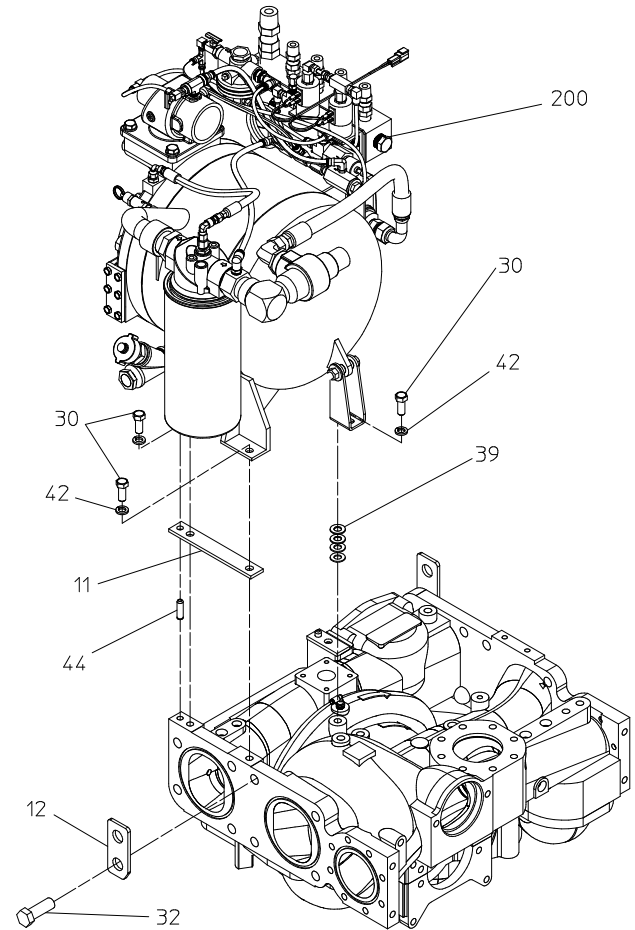
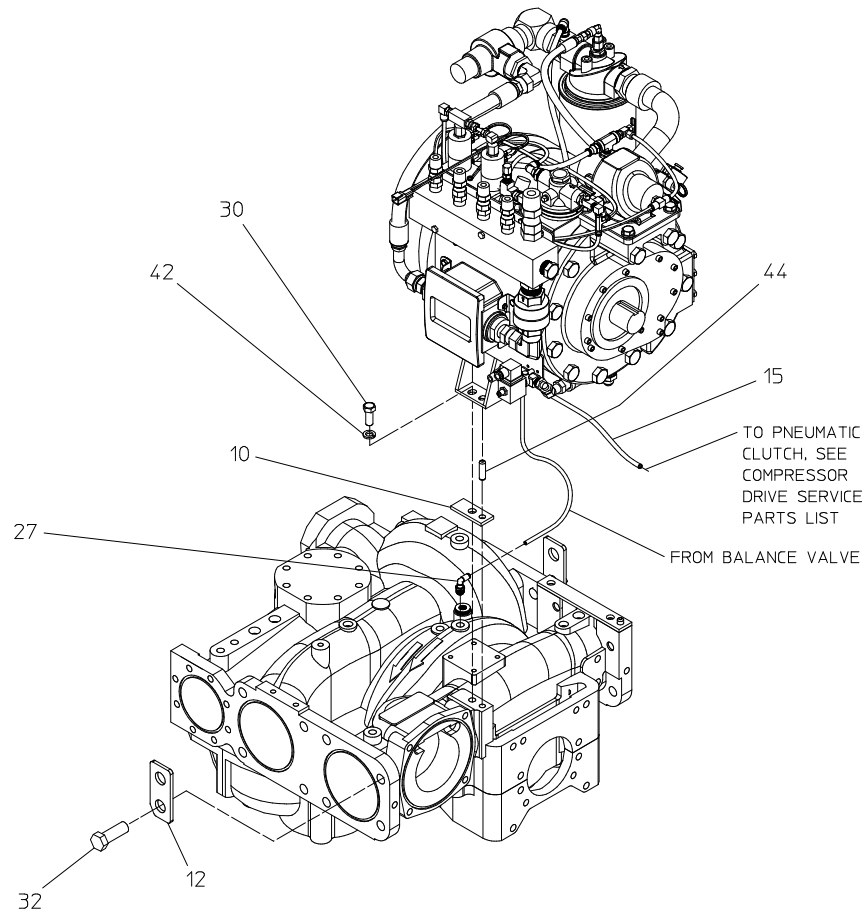
Unless Otherwise Noted:

Fastener Threads:

Apply Loctite 242 (Blue) or Equivalent

Air or Oil Fitting Threads:

Apply Loctite 545 (Red) or Equivalent



COMPRESSOR MOUNTING ON PUMP

CM SERIES FIRE PUMPS

Compressor - Mounting on Pump

CS Series Fire Pumps

REF. NO.	DESCRIPTION
12	Lifting Lug
15	Nylon Tubing, ¼ x 13 in.
27	90 Degree Elbow, ¼ MNPT x ¼ AB
29	Hex Head Screw, ½-13 x 1 in.
30	Hex Head Screw, ½-13 x 1-1/4 in.

REF. NO.	DESCRIPTION
32	Hex Head Screw, ¾-10 x 2-1/4 in.
39	Plain Washer, ½ in.
42	Lock Washer, ½ in.
43	Dowel Pin, 7/16 x 1-1/4 in.
200	Compressor Subassembly

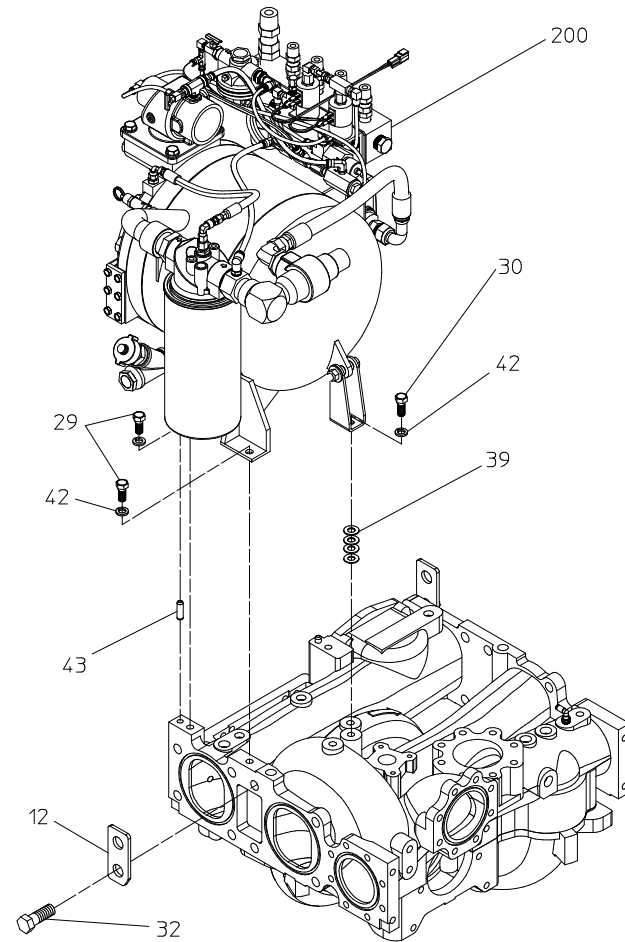
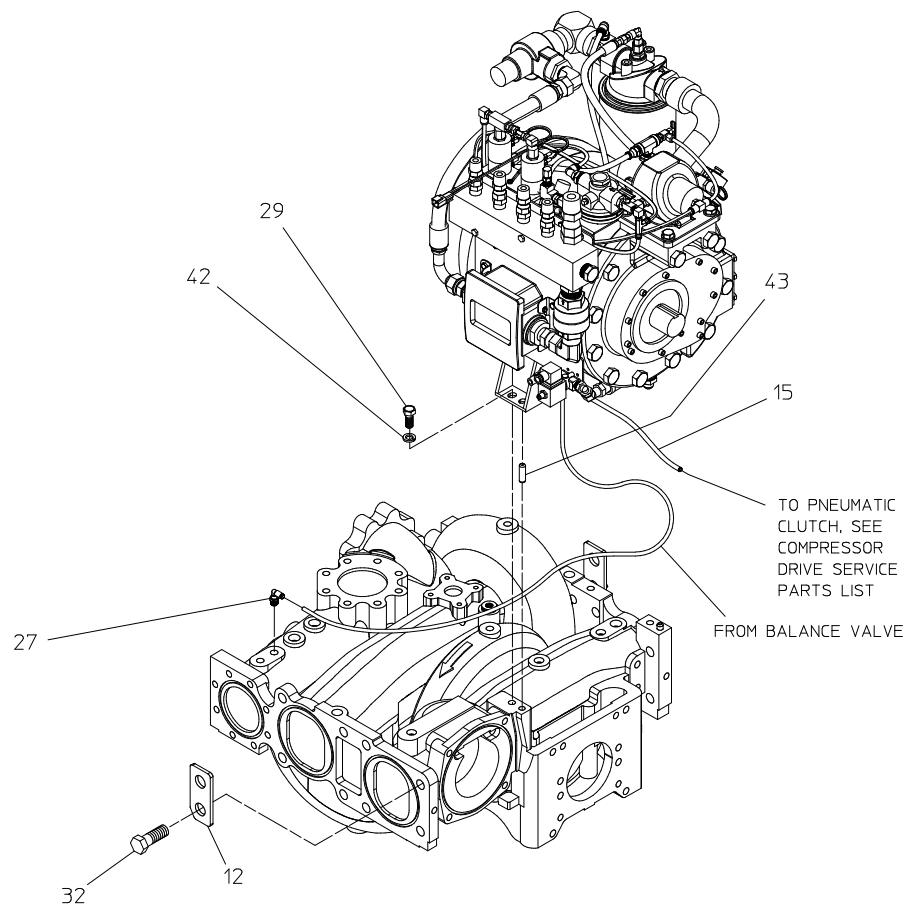
Unless Otherwise Noted:

Fastener Threads:

Apply Loctite 242 (Blue) or Equivalent

Air or Oil Fitting Threads:

Apply Loctite 545 (Red) or Equivalent



COMPRESSOR MOUNTING ON PUMP

CS SERIES FIRE PUMPS

Compressor - Subassembly

REF. NO.	DESCRIPTION
200	Compressor Subassembly (Includes 201-326)

REF. NO.	DESCRIPTION

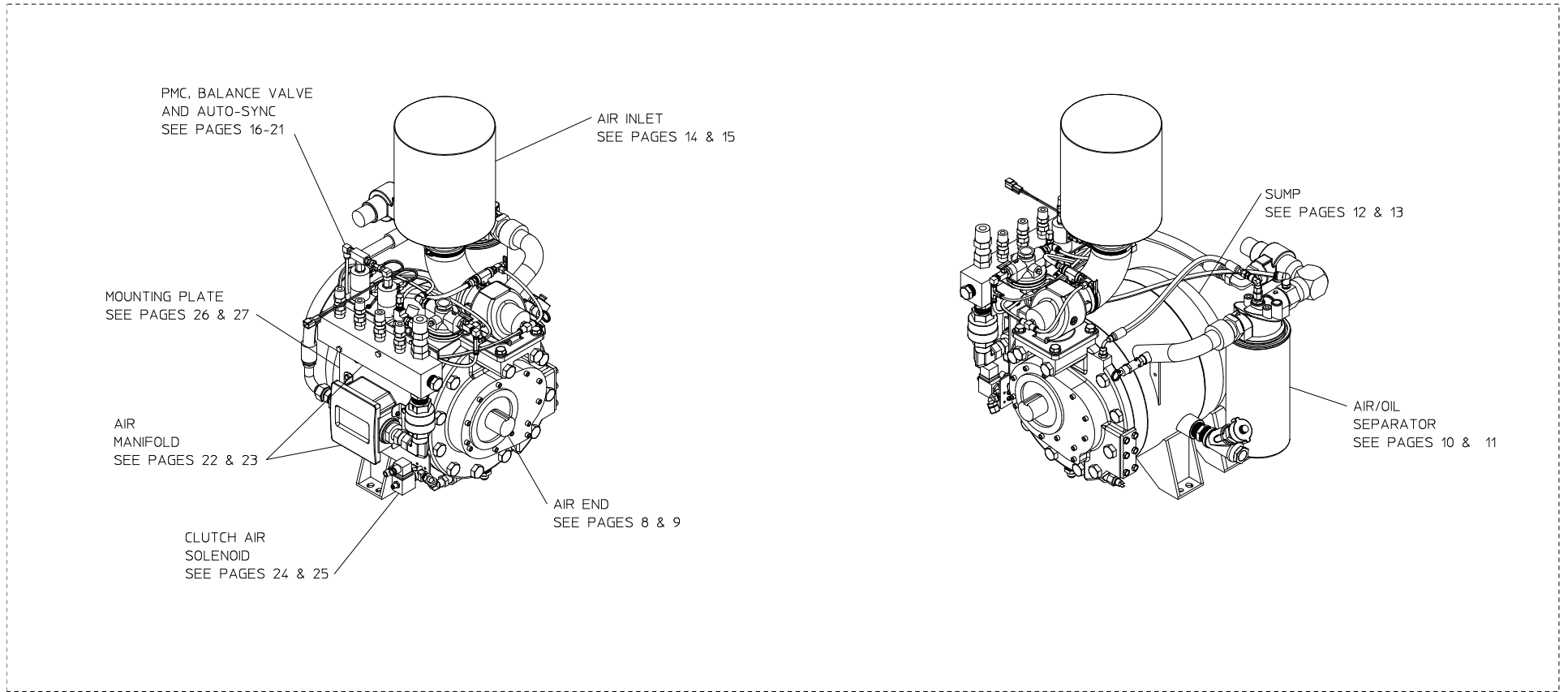
Unless Otherwise Noted:

Fastener Threads:

Apply Loctite 242 (Blue) or Equivalent

Air or Oil Fitting Threads:

Apply Loctite 545 (Red) or Equivalent



COMPRESSOR - SUBASSEMBLY

Compressor - Air End

REF. NO.	DESCRIPTION
201	Plug, M12-1.5
202	Plug, M18-1.5
222	Straight Adapter, M12 x 4 MJIC
225	Copper Washer, 7/8 x 1-1/16 x .097 in.
228	Hydraulic Hose, No. 4 x 15-3/4 in. Long
229	Hydraulic Hose, No. 4 x 17-3/4 in. Long
232	Oil Injection Block Off Plate
236	Straight Adapter, M22-1.5 x 8 MJIC
259	Air End, CF75ED

REF. NO.	DESCRIPTION
262	Eclipse Sump Gasket
274	Eclipse Sump
279	Replacement Compressor Kit
292	Hex Head Screw, 5/8-11 x 2 in.
293	Hex Head Screw, 5/8-11 x 2-1/2 in.
294	Hex Head Screw, 5/8-11 x 5 in.
295	O-ring, 11/32 x 15/32 in.
296	O-ring, 3-1/2 x 3-11/16 in.
308	Hex Head Screw, M8-1.25 x 20 mm
330	Shaft Seal Repair Kit
331	Shaft Seal Installation Tool

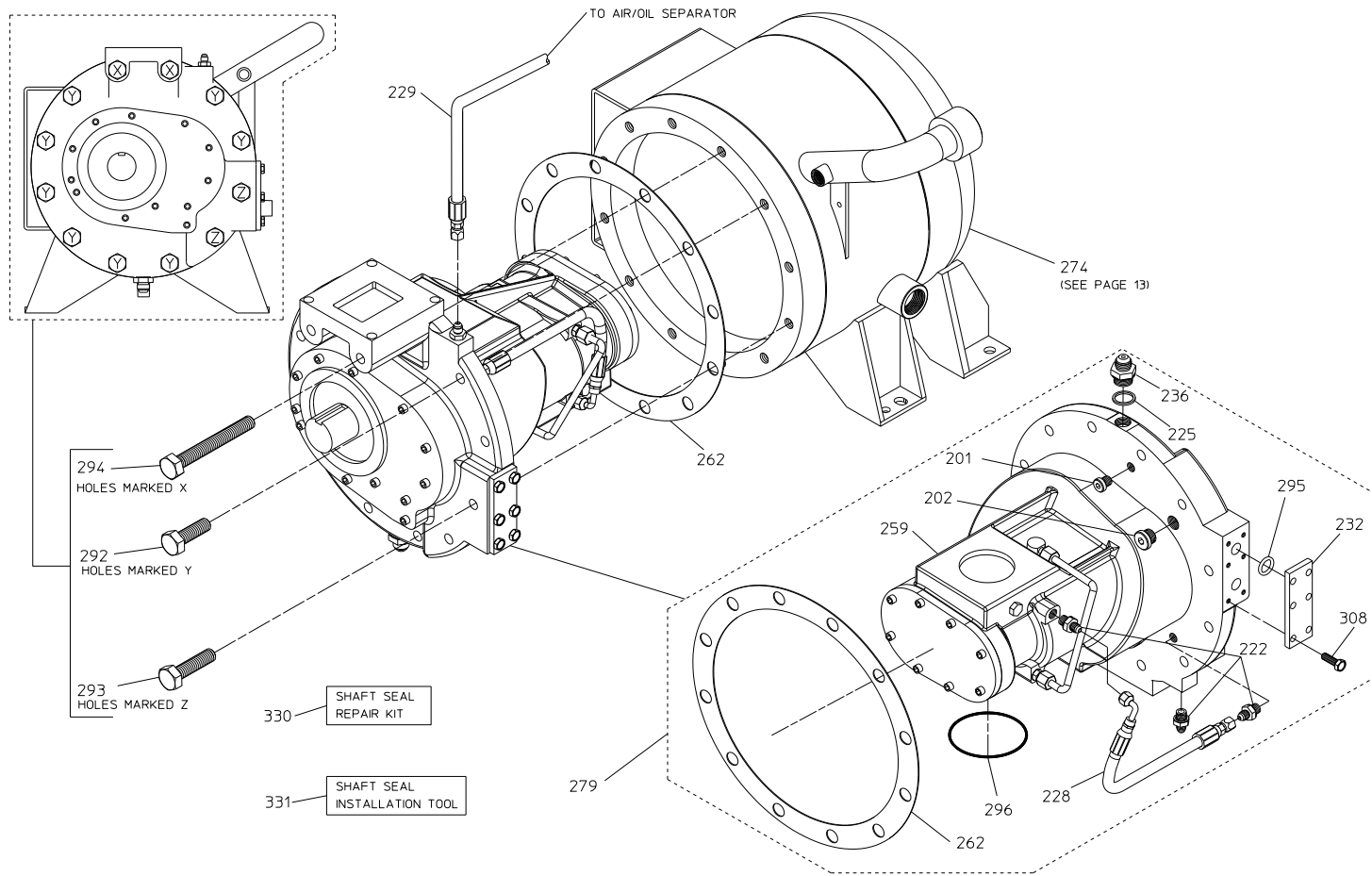
Unless Otherwise Noted:

Fastener Threads:

Apply Loctite 242 (Blue) or Equivalent

Air or Oil Fitting Threads:

Apply Loctite 545 (Red) or Equivalent



COMPRESSOR – AIR END

Compressor - Air/Oil Separator

REF. NO.	DESCRIPTION
218	90 Degree Elbow, ¾ in. MNPT
229	Hydraulic Hose, No. 4 x 17-3/4 in. Long
239	Large Filter Head
240	Separator Filter
241	Scavenger Fitting (Includes Ferrule and Nut)
242	90 Degree Street Elbow, 1-1/4 MNPT
243	Hydraulic Hose, No. 12 x 24 in. Long
248	Minimum Pressure Control Valve, 1-1/4 in.

REF. NO.	DESCRIPTION
261	Reducing Bushing, 1-1/4 NPT x ¾ NPT
263	Male Adapter, 1-1/4 NPT x 1-1/4 BSP
264	Restricted Fitting, 200
278	Large Scavenger Tube Assembly (Includes Ferrule and Nut)
285	Copper Washer
301	Headless Pipe Plug, ¾ NPT
320	90 Degree Elbow, ¾ MNPT x ¾ AB
328	Minimum Pressure Valve Repair Kit

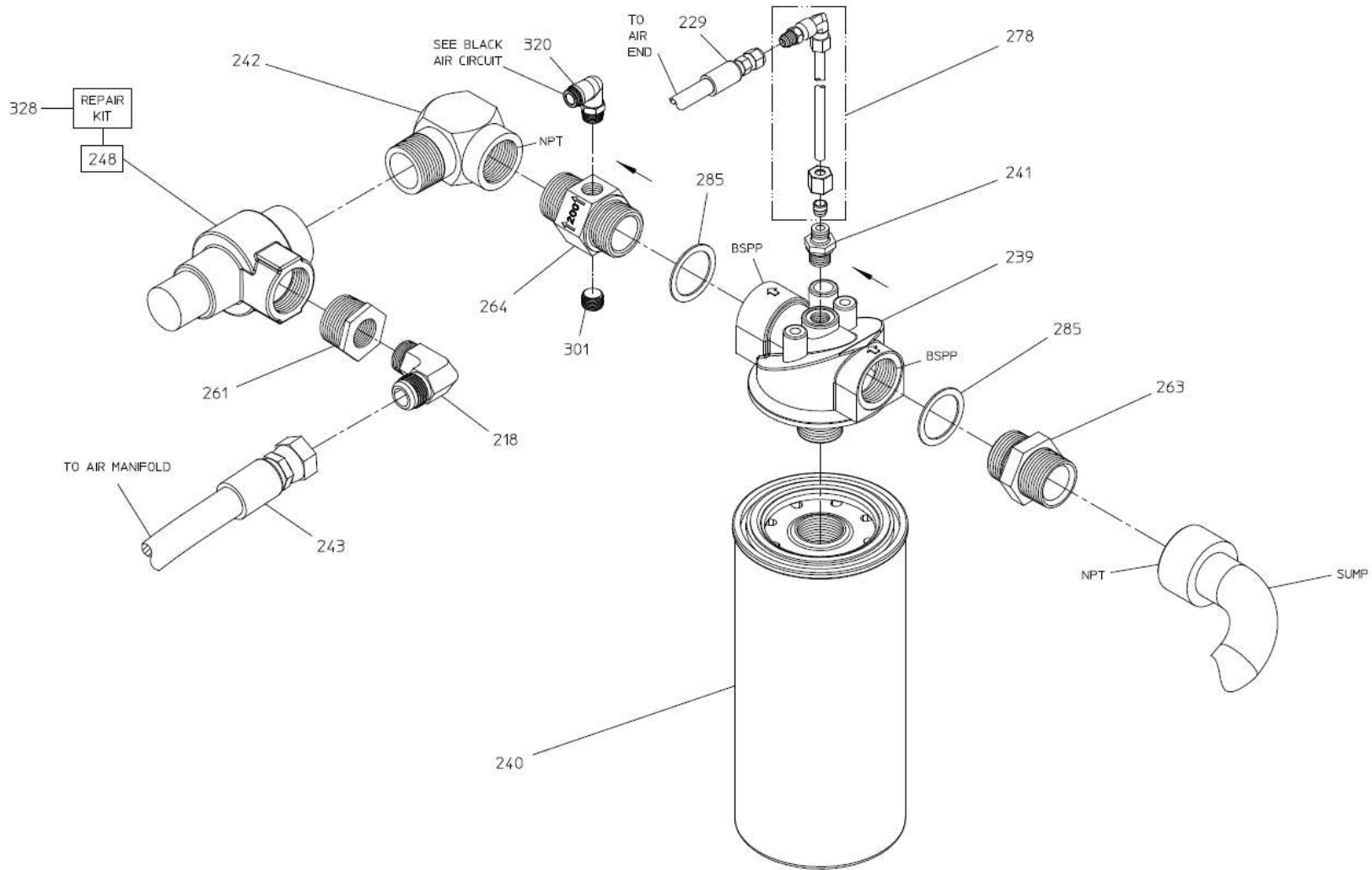
Unless Otherwise Noted:

Fastener Threads:

Apply Loctite 242 (Blue) or Equivalent

Air or Oil Fitting Threads:

Apply Loctite 545 (Red) or Equivalent



COMPRESSOR – AIR/OIL SEPERATOR
 ALSO SEE AIR CIRCUIT PAGES

Compressor - Sump

REF. NO.	DESCRIPTION
20	Hydraulic Hose, 8 JIC x 33 in.
212	Hex Nipple, 1 in. NPT
215	Tee, ½ MNPT x ½ MNPT x ½ FNPT
226	Spring Loop, 1-3/8 in.
230	Eclipse Sump Bracket
233	Sump Bracket Spacer
237	Cap with Chain, 1 in. NPSH
245	Nipple, 1 in. NPT x 1 in. NPSH

REF. NO.	DESCRIPTION
246	Sight Glass, 1 in.
249	Pop Off Valve, ¾ in.
253	Branch Wye, 1 in. NPT
255	Temperature Sender
291	Hex Head Screw, ½-13 x 2-1/2 in.
298	Flat Washer, ½ in.
307	Nylok Hex Nut, ½-13
316	Straight Adapter, 8 MJIC x ½ MNPT

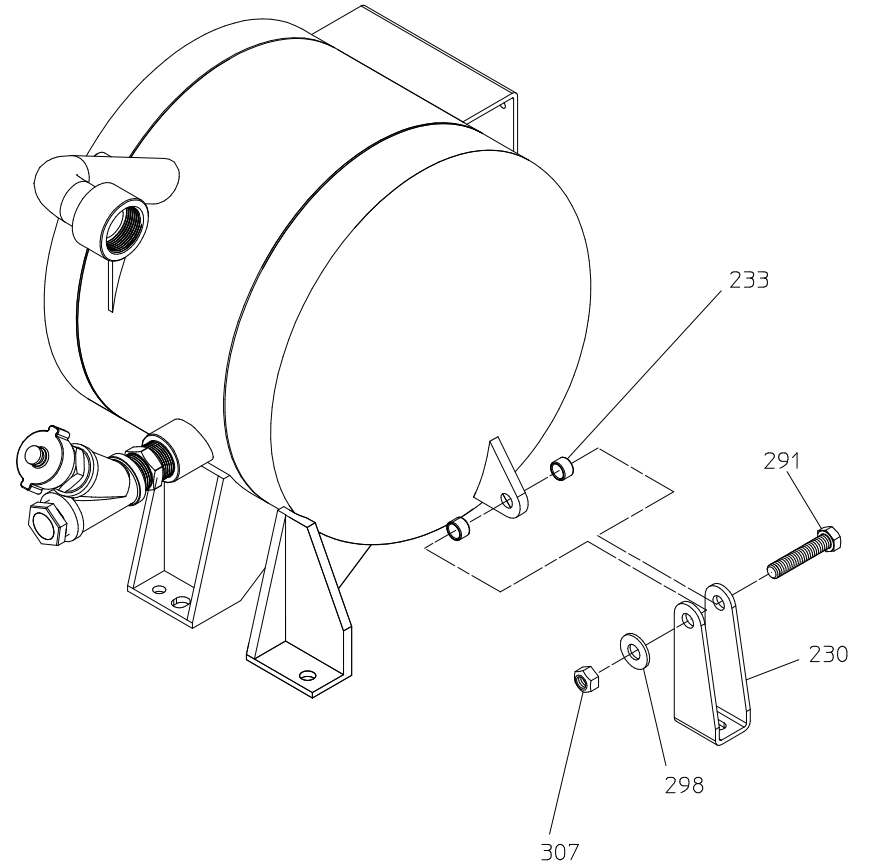
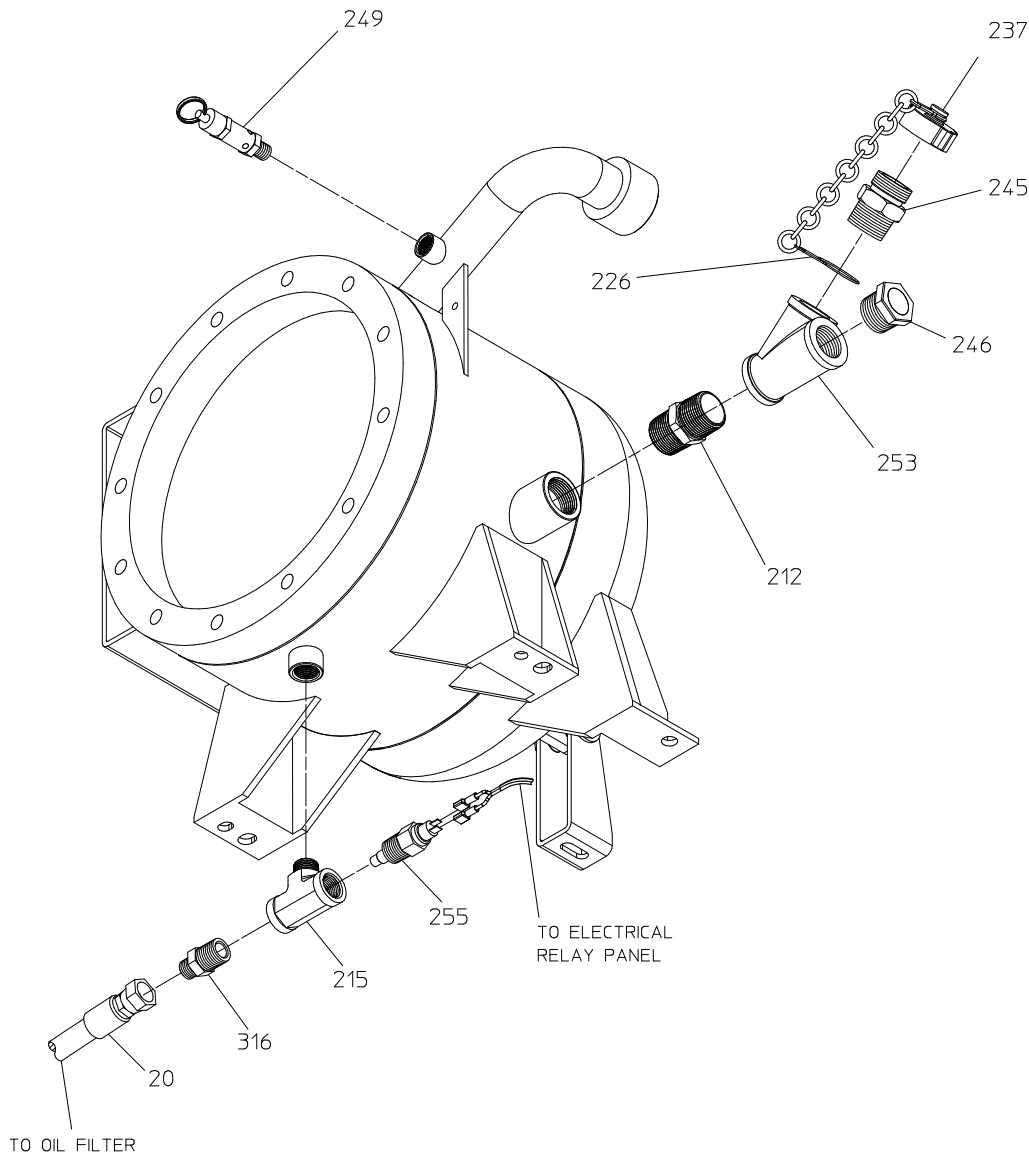
Unless Otherwise Noted:

Fastener Threads:

Apply Loctite 242 (Blue) or Equivalent

Air or Oil Fitting Threads:

Apply Loctite 545 (Red) or Equivalent



COMPRESSOR - SUMP

Compressor - Air Inlet

REF. NO.	DESCRIPTION
80	Inlet Adapter, 3 in. X 3 in.
81	Hose Clamp, 3-3/4 in.
82	T-Bolt Hose Clamp, 3-1/2 in.
83	Air Filter, CO85005, 3 in.
84	90 Degree Elbow, 3 in. (Rubber)
205	90 Degree Trim Valve, 1/8 MNPT x 1/4 AB
206	Reducing Bushing, 1/4 x 1/8 NPT
208	Tee, 1/4 FNPT x 1/4 FNPT x 1/4 MNPT

REF. NO.	DESCRIPTION
219	Branch Tee, 1/4 MNPT x 1/4 AB x 1/4 AB
244	90 Degree Aircon Inlet, 2-1/2 in.
296	O-ring, 3-1/2 x 3-11/16 in.
309	Hex Head Screw, M12-1.75 x 30 mm
312	Flat Washer, 12 mm
318	90 Degree Elbow, 1/4 MNPT x 1/4 AB
326	90 Degree Elbow, 3/8 AB x 1/4 MNPT
329	Internal Support Sleeve

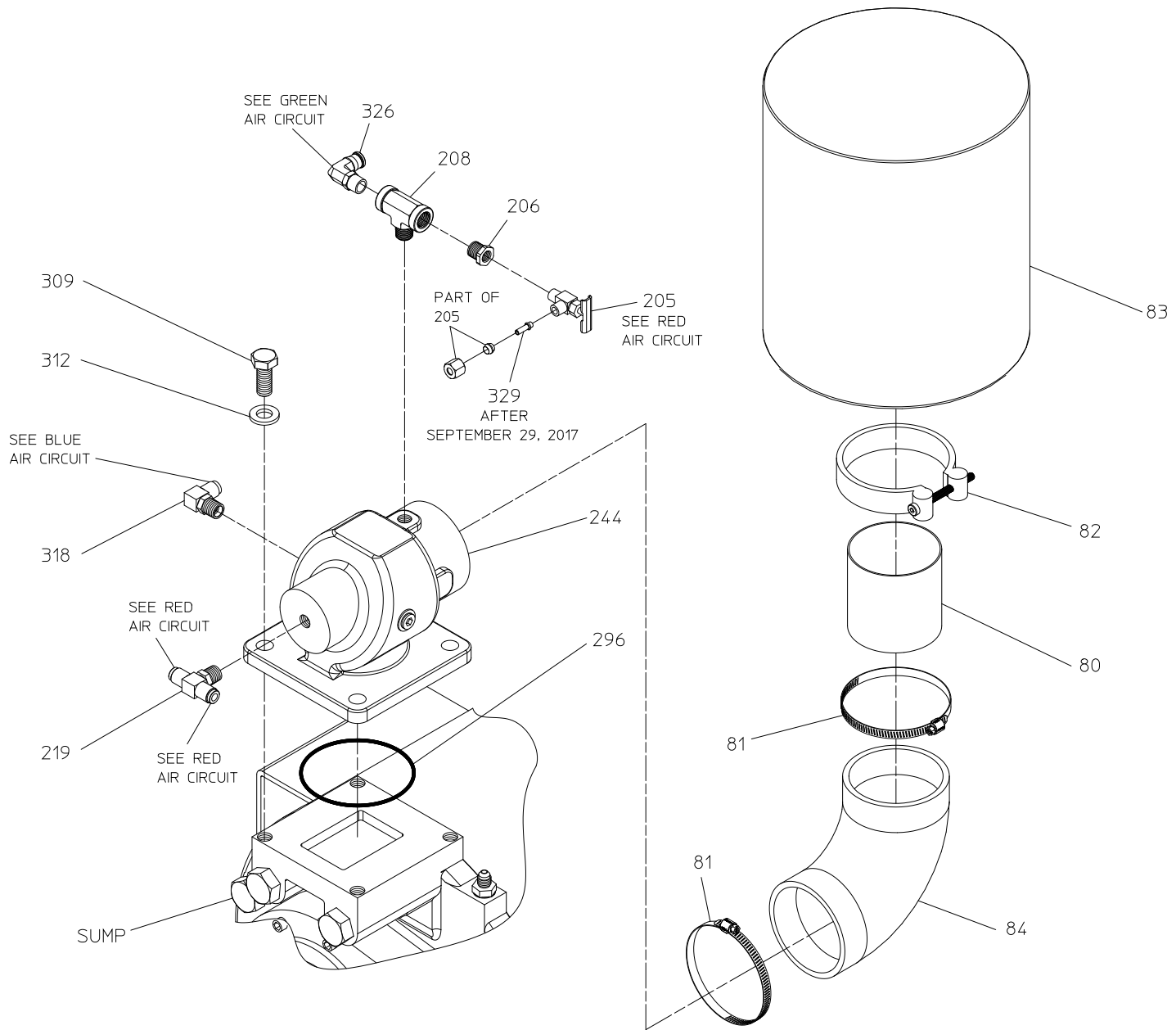
Unless Otherwise Noted:

Fastener Threads:

Apply Loctite 242 (Blue) or Equivalent

Air or Oil Fitting Threads:

Apply Loctite 545 (Red) or Equivalent



COMPRESSOR - AIR INLET

ALSO SEE AIR CIRCUIT PAGES

Compressor - PMC

REF. NO.	DESCRIPTION
223	Tee, ¼ FNPT x ¼ MNPT x ¼ MNPT (Steel)
227	Tee, ¼ FNPT x ¼ MNPT x ¼ FNPT Steel Prior to June 19, 2014 Brass After June 19, 2014
231	Eclipse Mounting Plate
250	Blow Down Valve
251	Pressure Regulator
258	Pressure Switch

REF. NO.	DESCRIPTION
290	Hex Head Screw, ⅜-16 x ½ in.
299	Lock Washer, ⅜ in.
314	Straight Adapter, ¼ MNPT x ¼ AB
318	90 Degree Elbow, ¼ MNPT x ¼ AB
326	90 Degree Elbow, ⅜ AB x ¼ MNPT
327	Pipe Nipple, ¼ MNPT x 7/8 in. (Brass)

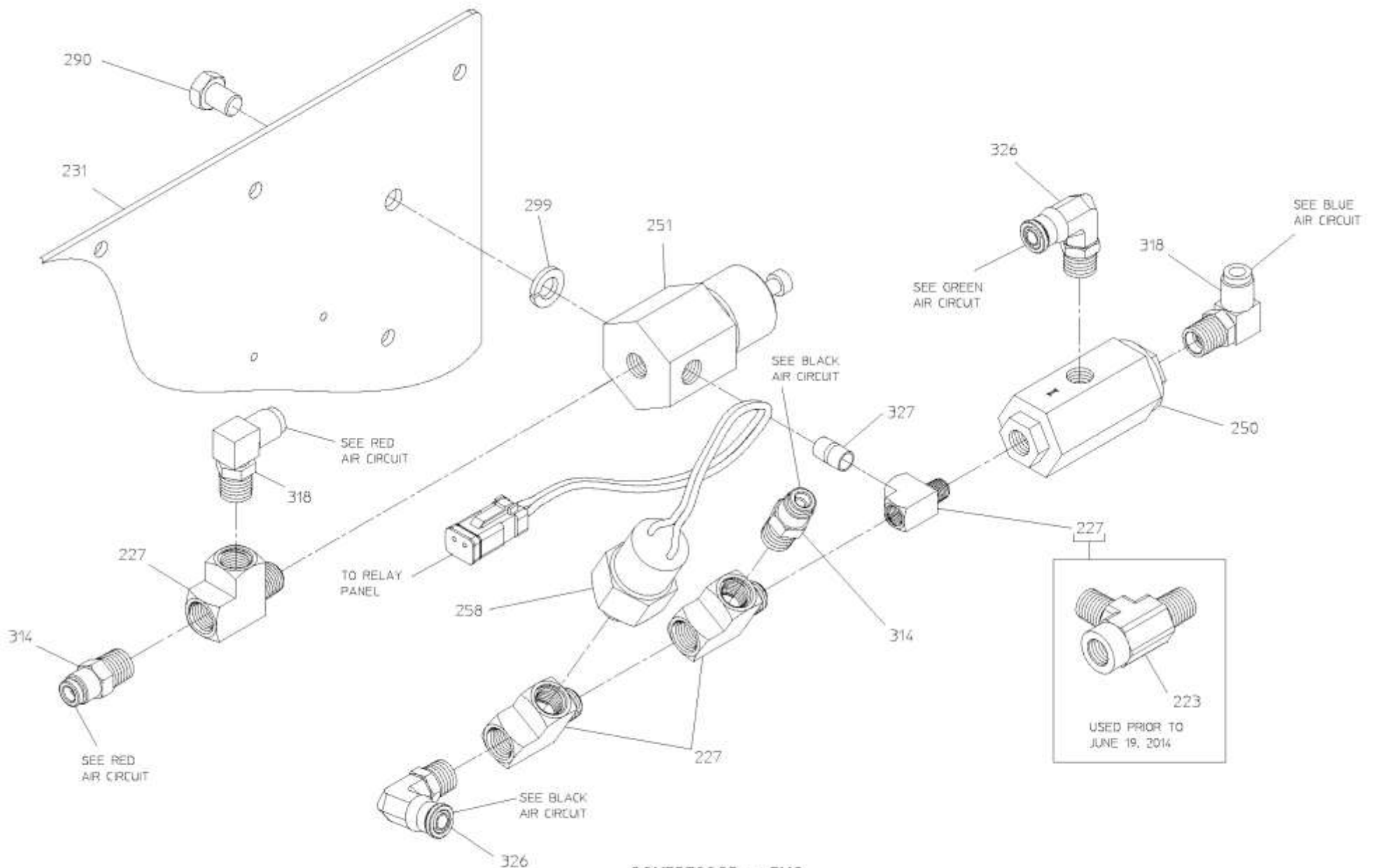
Unless Otherwise Noted:

Fastener Threads:

Apply Loctite 242 (Blue) or Equivalent

Air or Oil Fitting Threads:

Apply Loctite 545 (Red) or Equivalent



COMPRESSOR - PMC
 ALSO SEE AIR CIRCUIT PAGES

Compressor - Balance Valve

REF. NO.	DESCRIPTION
204	90 Degree Elbow, ¼ MNPT x ¼ Tube
207	Reducing Bushing, ½ NPT x ⅛ NPT
231	Eclipse Mounting Plate
247	Balance Valve Repair Kit
275	Orange Air Brake Tube, ¼ in. X 120 in. (Cut to Suit Installation)
277	Balance Valve Subassembly
286	Hex Head Screw, ¼-20 x ⅝ in.

REF. NO.	DESCRIPTION
297	Flat Washer, ¼ in.
306	Nylok Hex Nut, ¼-20
319	90 Degree Elbow, ⅜ MNPT x ¼ AB
321	90 Street Elbow, ⅛ NPT
322	Straight Trim Valve, ⅛ NPT
323	Run Tee, ⅛ MNPT x ¼ AB x ¼ AB

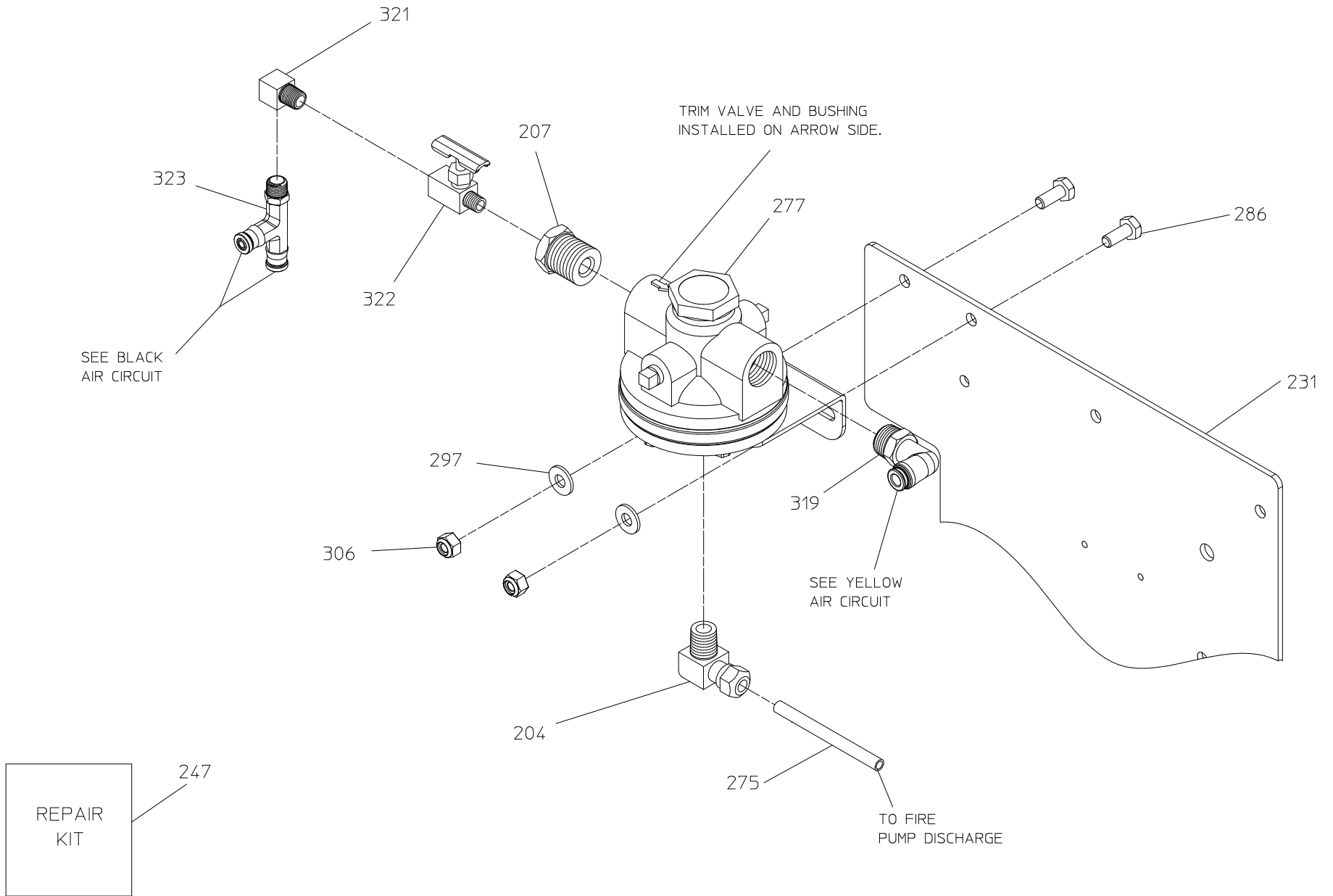
Unless Otherwise Noted:

Fastener Threads:

Apply Loctite 242 (Blue) or Equivalent

Air or Oil Fitting Threads:

Apply Loctite 545 (Red) or Equivalent



COMPRESSOR – BALANCE VALVE
ALSO SEE AIR CIRCUIT PAGES

Compressor - Auto Sync

REF. NO.	DESCRIPTION
16	Electric Auto-Sync Switch Harness
17	Electric Auto-Sync Plate
23	Air Flow Digital Display
24	Air Flow Display Cable
50	Button Head Screw, No. 4-40 x ¼ in.
56	Air Flow Panel Ass'y (Includes 23 and 50)
93	Auto-Sync Extension Harness, 15 Feet
203	Straight Air Brake Fitting, ¼ MNPT x ¼ Tube
204	90 Degree Elbow, ¼ MNPT x ¼ Tube
231	Eclipse Mounting Plate
234	Angle Solenoid Bracket
235	Electric Auto-Sync Wiring Harness

REF. NO.	DESCRIPTION
256	Solenoid Valve
276	Red Air rake Tube, ¼ in. 24 in. (Cut to Suit Installation)
280	Internal Tooth Washer, No. 10
287	Hex Head Screw, ¼-20 x ¾ in.
297	Flat Washer, ¼ in.
304	Pan Head Screw, No. 10-32 x ½ in.
306	Nylok Hex Nut, ¼-20
318	90 Degree Elbow, ¼ MNPT x ¼ AB
324	Street Tee, ¼ MNPT x ¼ FNPT x ¼ FNPT
325	Straight Adapter, 4 MJIC x ¼ MNPT

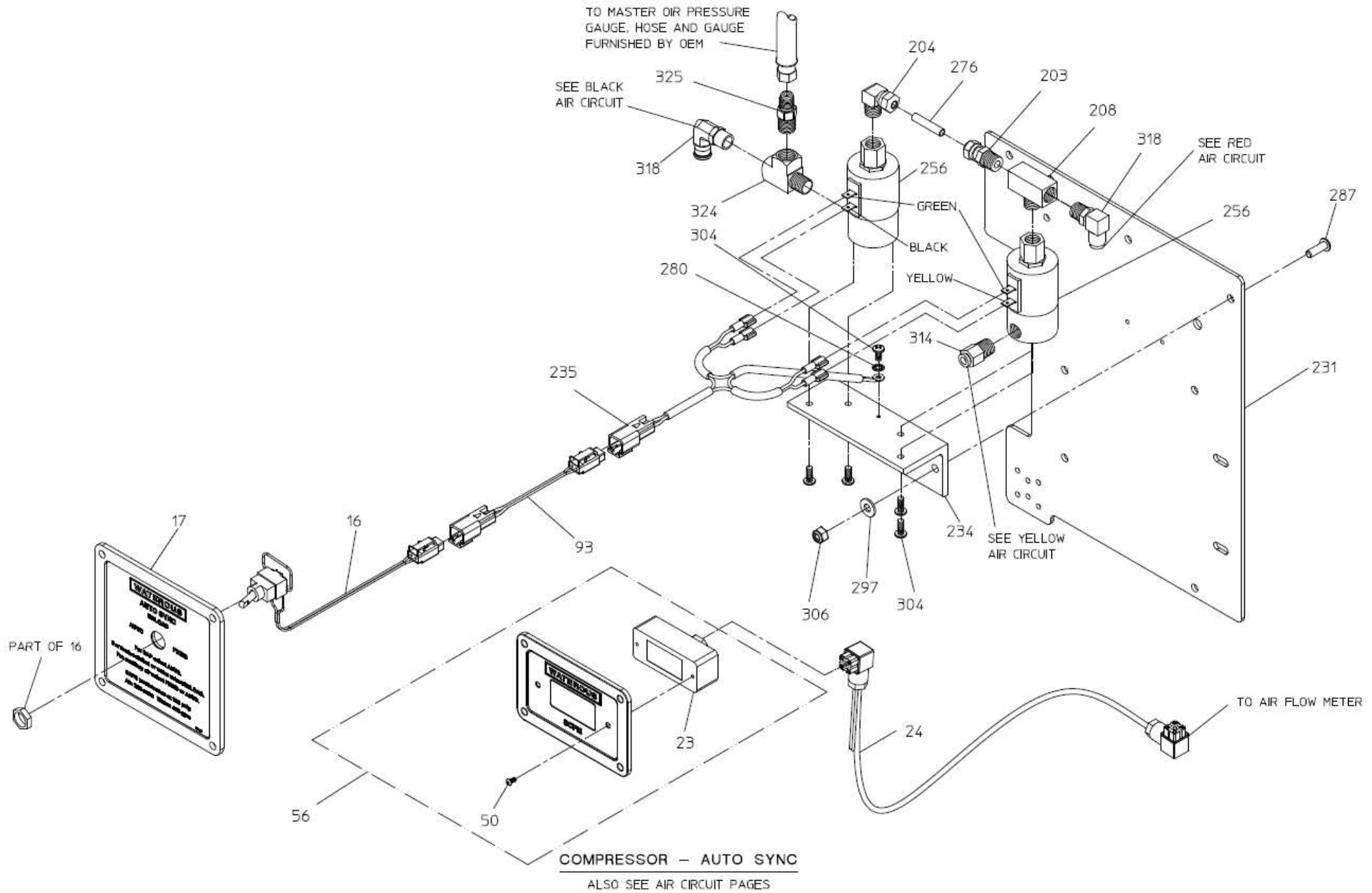
Unless Otherwise Noted:

Fastener Threads:

Apply Loctite 242 (Blue) or Equivalent

Air or Oil Fitting Threads:

Apply Loctite 545 (Red) or Equivalent



Compressor - Air Manifold

REF. NO.	DESCRIPTION
17	Electric Auto-Sync Plate
23	Air Flow Digital Display
24	Air Flow Display Cable (Included with 254, Available Individually)
50	Button Head Screw, No. 4-40 x ¼ in.
54	2-Way Solenoid Valve, ½ in.
55	2-Way Solenoid Valve, ¾ in.
56	Air Flow Panel Ass'y (Includes 23 and 50)
209	Swivel Adapter, 12 FJIC x ¾ MNPT
210	Swivel Adapter, 8 FJIC x ½ MNPT
212	Hex Nipple, 1 in. MNPT
213	Pipe Plug, ¾ NPT
216	5 Port Air Manifold
231	Eclipse Mounting Plate

REF. NO.	DESCRIPTION
243	Hydraulic Hose, No. 12 x 24 in. Long
252	Check Valve, 1 in.
254	Hedland Flow Meter (Includes 24)
287	Hex Head Screw, ¼-20 x ¾ in.
288	Hex Head Screw, ¼-20 x 3-1/4 in.
297	Flat Washer, ¼ in.
306	Nylok Hex Nut, ¼-20
313	Straight Adapter, 12 MJIC x ¾ MNPT
316	Straight Adapter, 8 MJIC x ½ MNPT
317	90 Degree Elbow, 12 MJIC x 1 MNPT

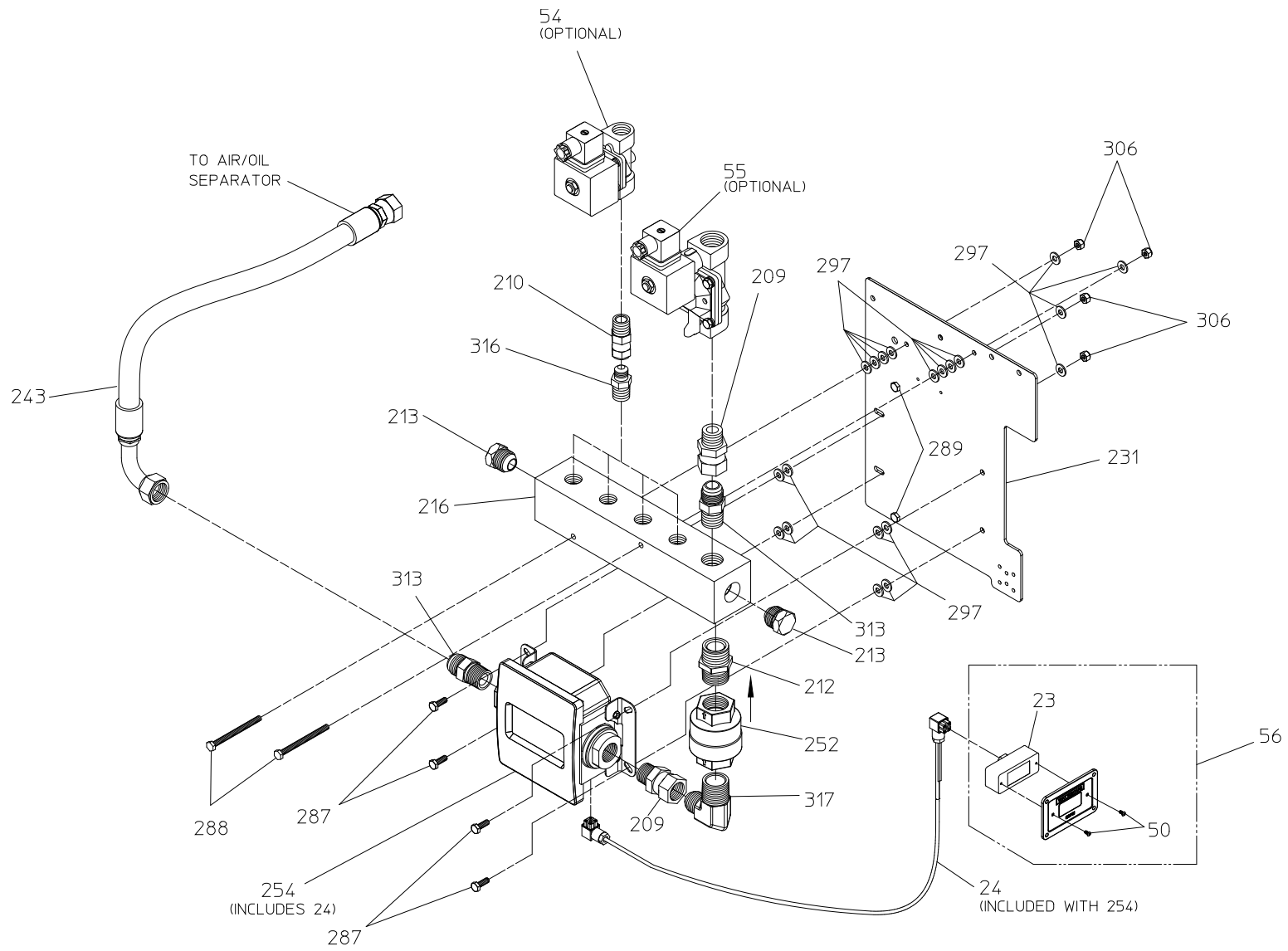
Unless Otherwise Noted:

Fastener Threads:

Apply Loctite 242 (Blue) or Equivalent

Air or Oil Fitting Threads:

Apply Loctite 545 (Red) or Equivalent



COMPRESSOR - AIR MANIFOLD

Compressor - Clutch Air Solenoid

REF. NO.	DESCRIPTION
231	Eclipse Mounting Plate
281	Check Valve, ¼ NPT
282	90 Degree Elbow, ¼ NPT x ¼ in. Tube
283	3-Way Solenoid Valve

REF. NO.	DESCRIPTION
303	90 Degree Street Elbow, ¼ NPT
310	Socket Head Screw, M4-0.7 x 10 mm
311	Flat Washer, 4 mm

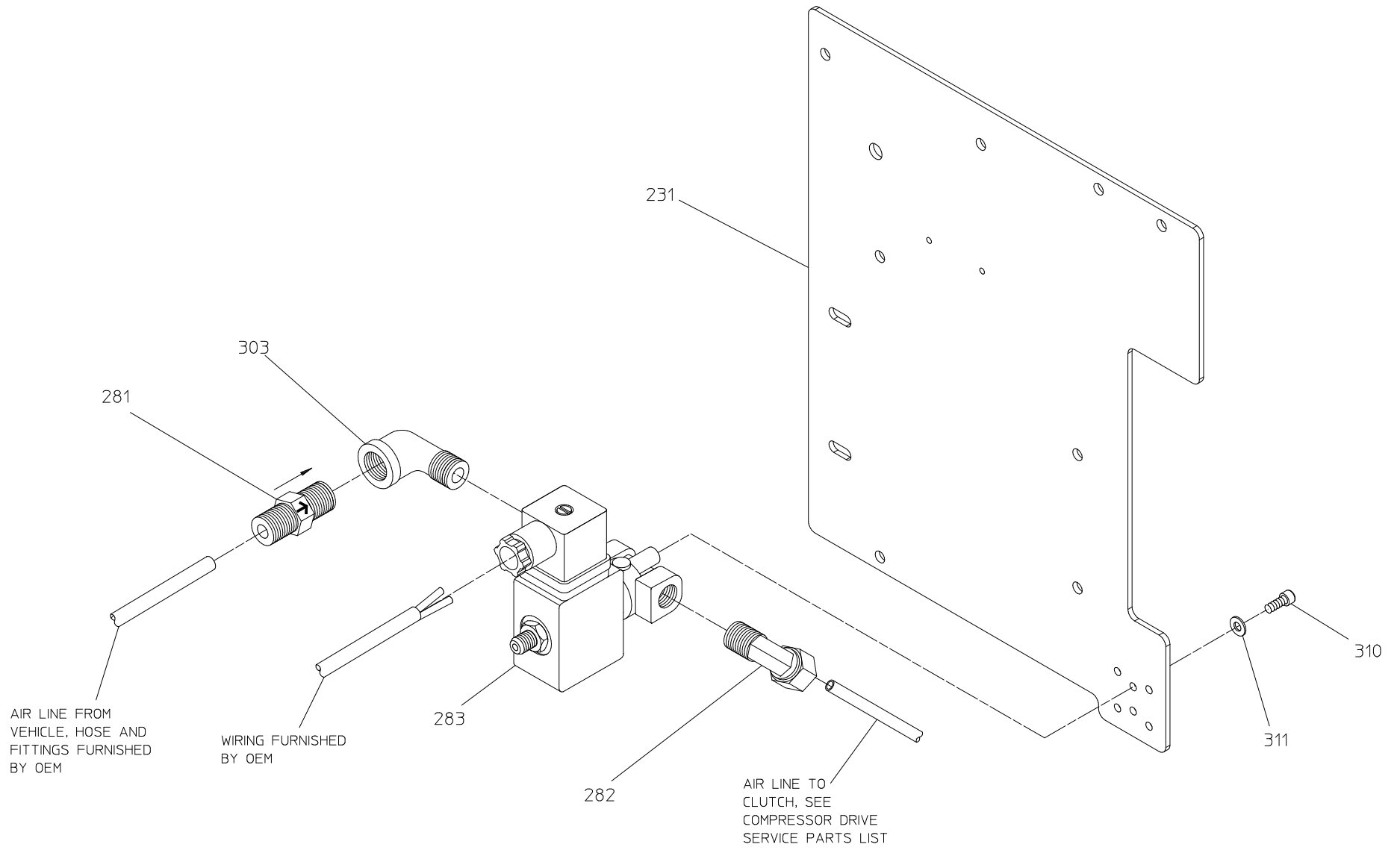
Unless Otherwise Noted:

Fastener Threads:

Apply Loctite 242 (Blue) or Equivalent

Air or Oil Fitting Threads:

Apply Loctite 545 (Red) or Equivalent



COMPRESSOR - CLUTCH AIR SOLENOID

Compressor - Mounting Plate

REF. NO.	DESCRIPTION
231	Eclipse Mounting Plate
274	Eclipse Sump

REF. NO.	DESCRIPTION
287	Hex Head Screw, 1/4-20 x 3/4 in.
289	Hex Head Screw, 1/4-20 x 1/2 in.

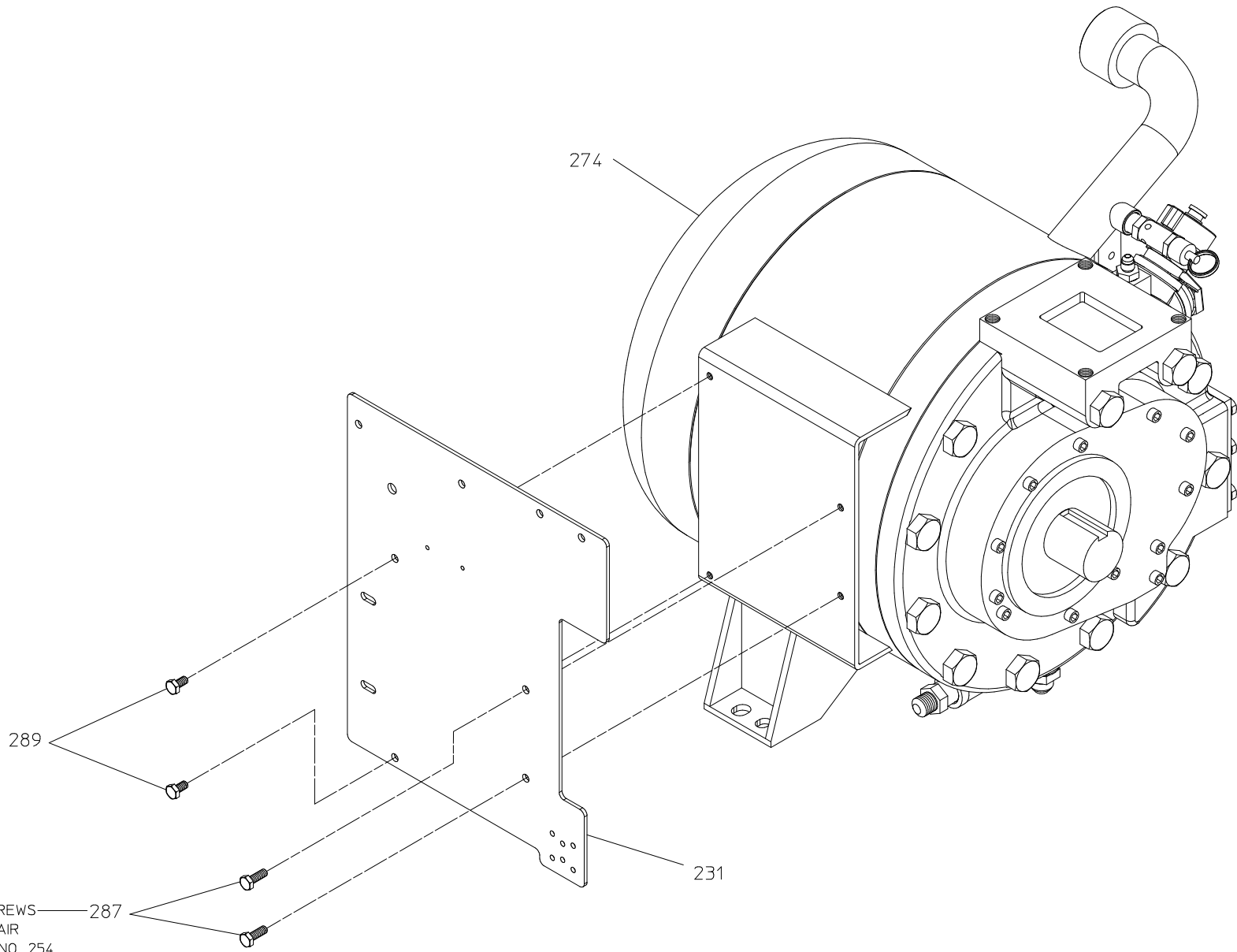
Unless Otherwise Noted:

Fastener Threads:

Apply Loctite 242 (Blue) or Equivalent

Air or Oil Fitting Threads:

Apply Loctite 545 (Red) or Equivalent



THESE TWO SCREWS—287
ALSO ATTACH AIR
MANIFOLD REF NO. 254
SEE PAGE 23

COMPRESSOR — MOUNTING PLATE

Air Circuit Tubing - Red

REF. NO.	DESCRIPTION
276	Red Air Brake Tube, ¼ x 24 in. (Cut to Suit Installation)

REF. NO.	DESCRIPTION

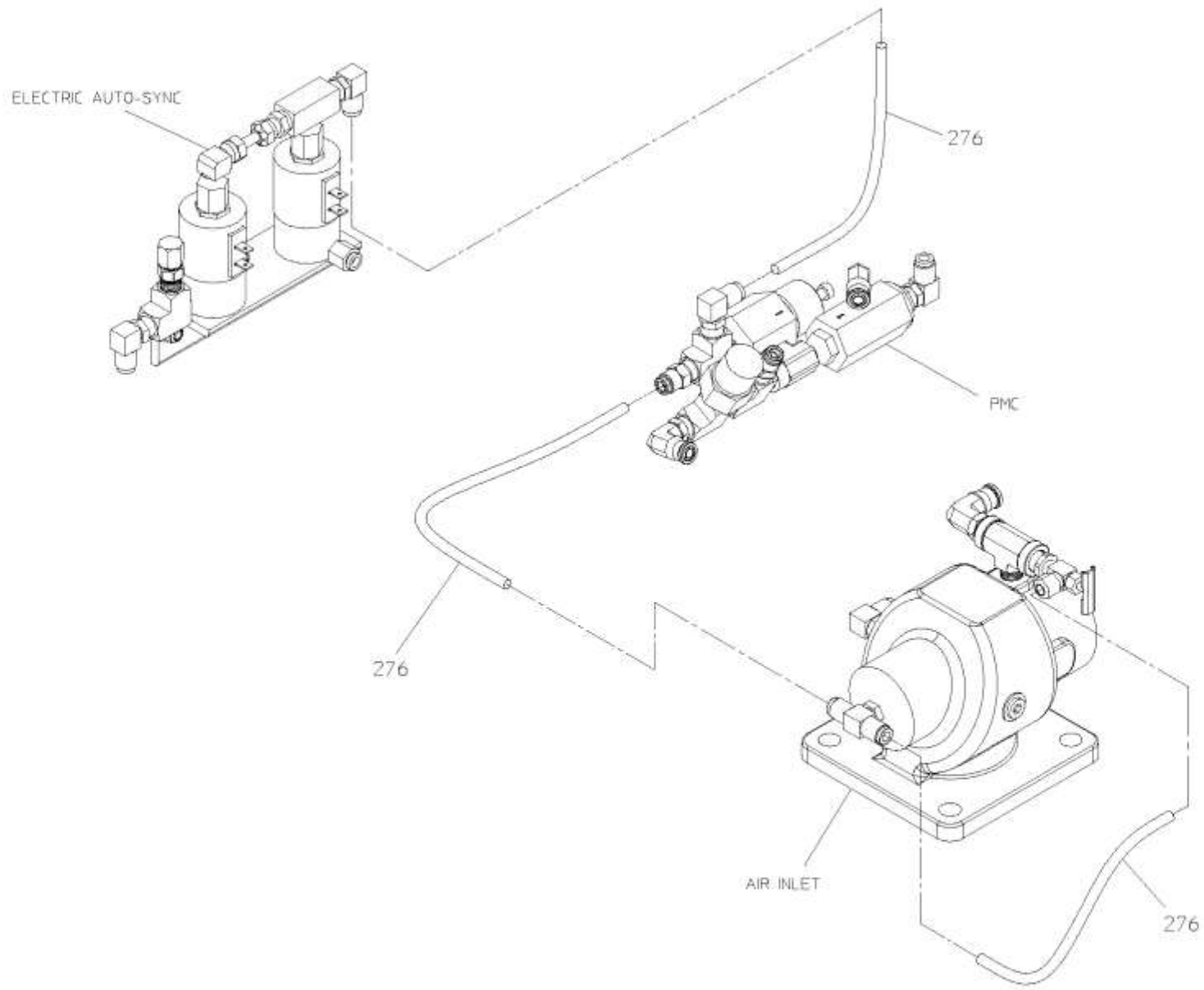
Unless Otherwise Noted:

Fastener Threads:

Apply Loctite 242 (Blue) or Equivalent

Air or Oil Fitting Threads:

Apply Loctite 545 (Red) or Equivalent



AIR CIRCUIT TUBING - RED

Air Circuit Tubing - Blue

REF. NO.	DESCRIPTION
265	Blue Air Brake Tube, ¼ x 24 in. (Cut to Suit Installation)

REF. NO.	DESCRIPTION

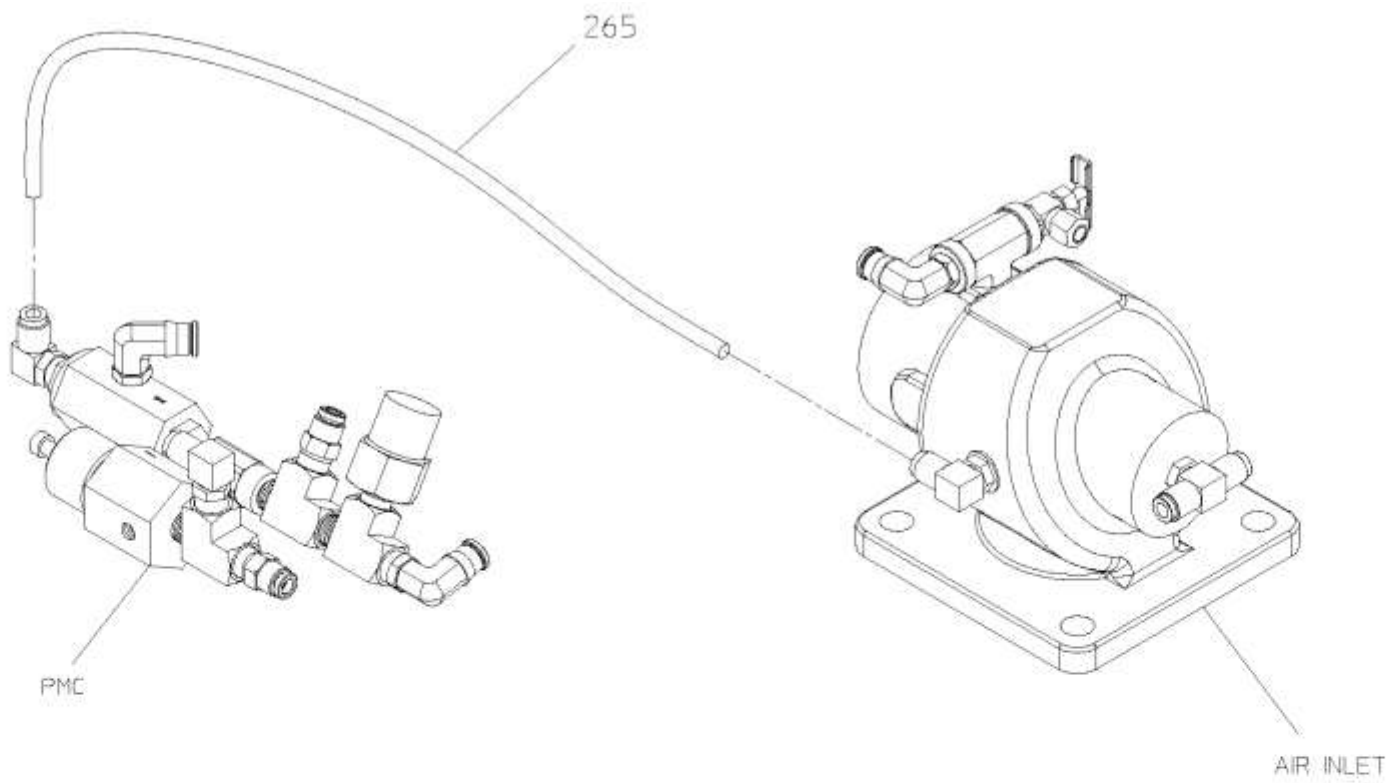
Unless Otherwise Noted:

Fastener Threads:

Apply Loctite 242 (Blue) or Equivalent

Air or Oil Fitting Threads:

Apply Loctite 545 (Red) or Equivalent



AIR CIRCUIT TUBING - BLUE

Air Circuit Tubing - Green and Yellow

REF. NO.	DESCRIPTION
266	Green Air Brake Tube, 3/8 x 24 in. (Cut to Suit Installation)
267	Yellow Air Brake Tube, 1/4 x 24 in. (Cut to Suit Installation)

REF. NO.	DESCRIPTION

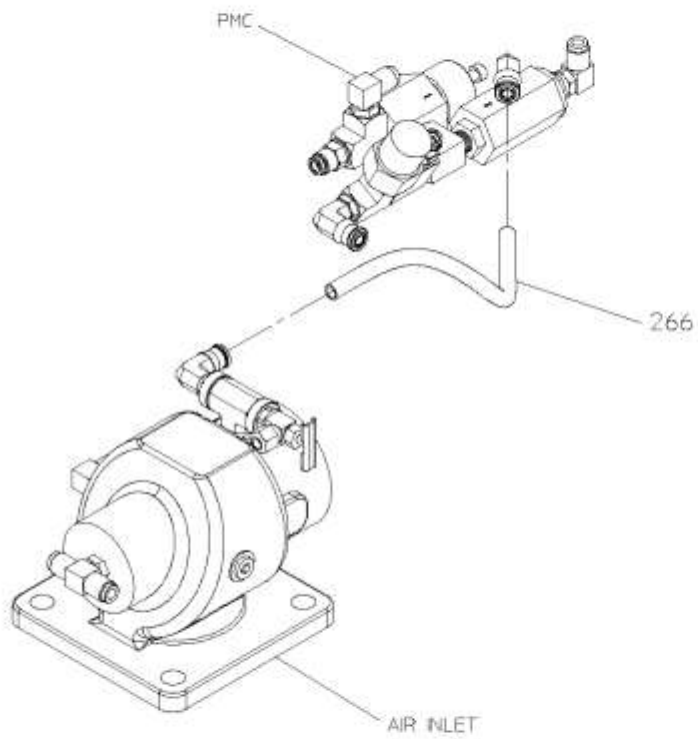
Unless Otherwise Noted:

Fastener Threads:

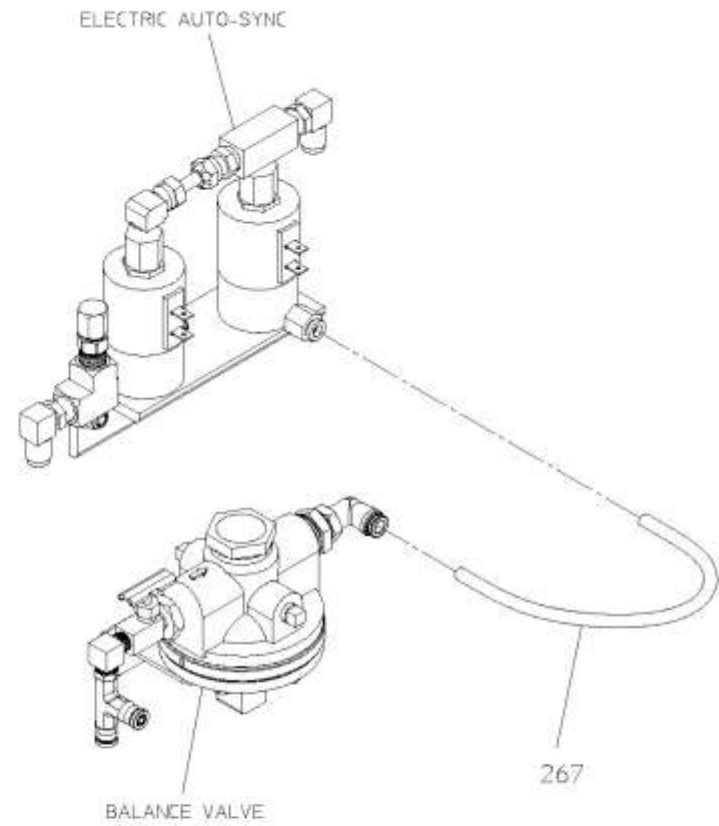
Apply Loctite 242 (Blue) or Equivalent

Air or Oil Fitting Threads:

Apply Loctite 545 (Red) or Equivalent



GREEN



YELLOW

AIR CIRCUIT TUBING

Air Circuit Tubing - Black

REF. NO.	DESCRIPTION
268	Black Air Brake Tube, ¼ x 24 in. (Cut to Suit Installation)
269	Black Air Brake Tube, 3/8 x 24 in. (Cut to Suit Installation)

REF. NO.	DESCRIPTION

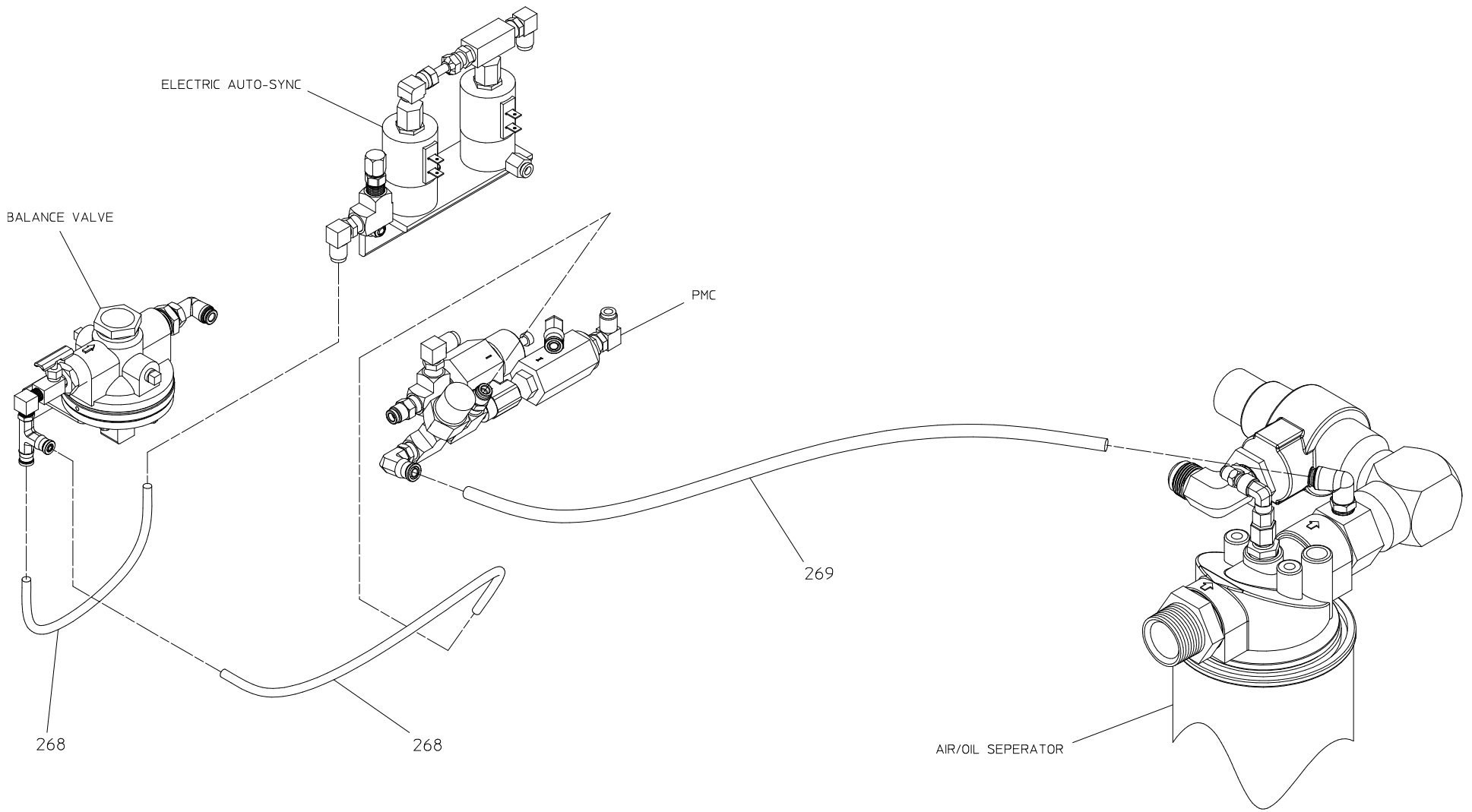
Unless Otherwise Noted:

Fastener Threads:

Apply Loctite 242 (Blue) or Equivalent

Air or Oil Fitting Threads:

Apply Loctite 545 (Red) or Equivalent



AIR CIRCUIT TUBING – BLACK

Oil Cooler and Filter - Mounting on Pump

REF. NO.	DESCRIPTION
13	Oil Cooler Saddle Bracket
31	Hex Head Screw, ½-13 x 2 in.
33	Hex Head Screw, 5/16-24 x 1 in.
34	Hex Head Screw, 7/16-20 x 1-1/4 in.
35	Hex Nut, 5/16-24
36	Hex Nut, 7/16-20

REF. NO.	DESCRIPTION
37	Plain Washer, 5/16 in.
38	Plain Washer, 7/16 in.
40	Lock Washer, 5/16 in.
41	Lock Washer, 7/16 in.
400	Oil Cooler Subassembly (Includes 406-419)
700	Oil Filter Subassembly (Includes 701-709)

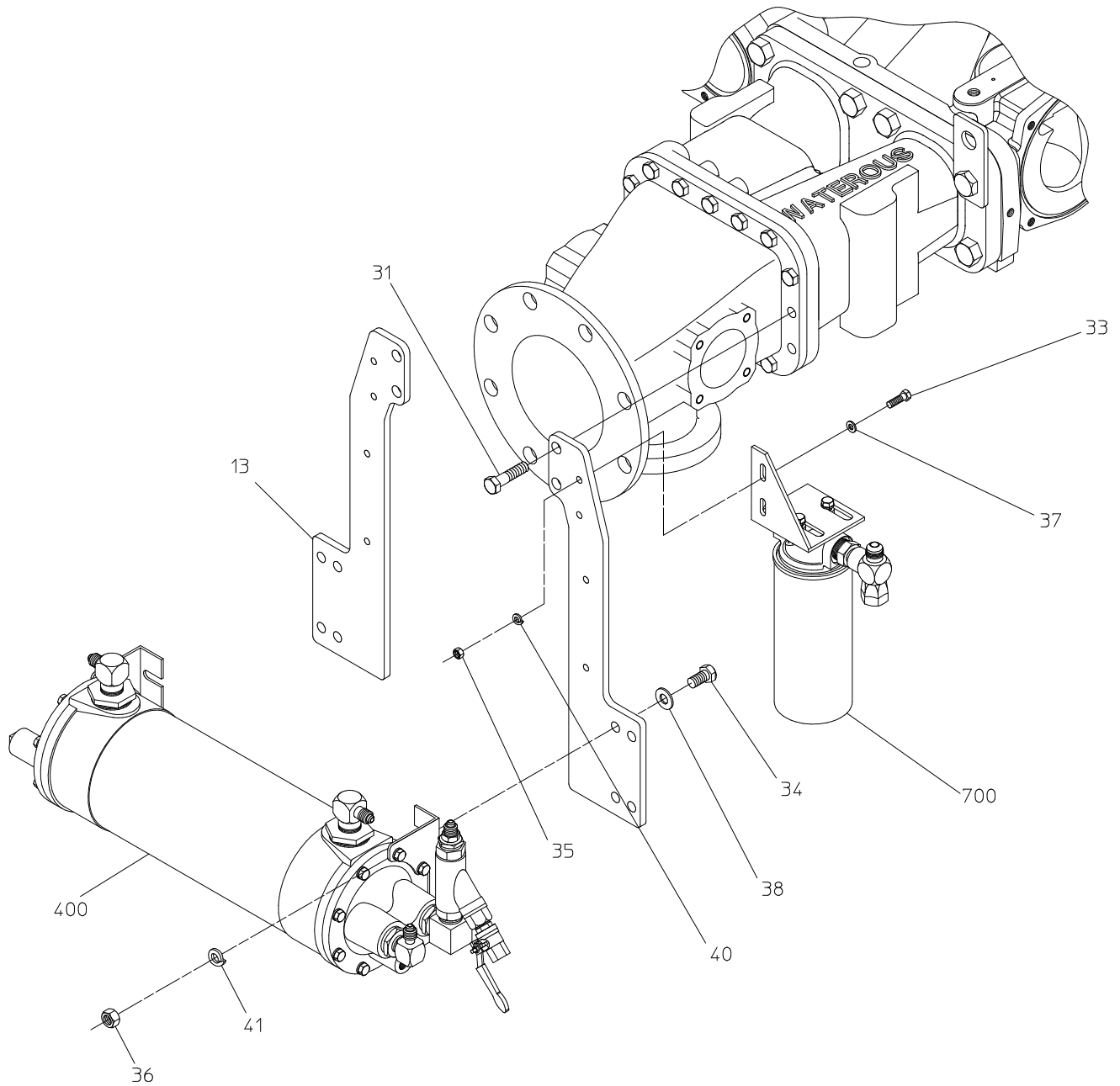
Unless Otherwise Noted:

Fastener Threads:

Apply Loctite 242 (Blue) or Equivalent

Air or Oil Fitting Threads:

Apply Loctite 545 (Red) or Equivalent



OIL COOLER AND FILTER - MOUNTING ON PUMP

Oil Cooler and Filter - Components

REF. NO.	DESCRIPTION
400	Oil Cooler Subassembly (Includes 406-419)
406	Large Cooler (Includes Brackets and Pipe Plugs)
408	Reducing Bushing, 1-1/2 NPT x 1/2 NPT
410	Wye Strainer Assembly, 1 in. (Includes 412 and 413)
412	Strainer Screen, 1 in.
413	Strainer Gasket, 1 in.
414	Reducing Bushing, 1 MNPT x 1/2 FNPT
415	Ball Valve, 1/2 MNPT x 1/2 FNPT
416	90 Degree Elbow, 8 MJIC x 1/2 MNPT
417	90 Degree Elbow, 6 SAE x 1/2 MNPT
418	Straight Adapter, 6 SAE x 1/2 MNPT

REF. NO.	DESCRIPTION
419	90 Degree Elbow, 1 MNPT
700	Oil Filter Subassembly (Includes 701-709)
701	Filter Bracket
702	Large Filter Head
703	Oil Filter, WD 962
704	Straight Adapter, 8 MJIC x 3/4 MNPT
705	Hex Head Screw, 1/4-20 x 5/8 in. (1)
706	Flat Washer, 1/4 in. (2)
707	Reducing Bushing, 3/4 MNPT x 1/2 FNPT
708	Male Tee, 1/2 FNPT x 8 MJIC x 8 MJIC
709	Cap, 8 FJIC

Unless Otherwise Noted:

Fastener Threads:

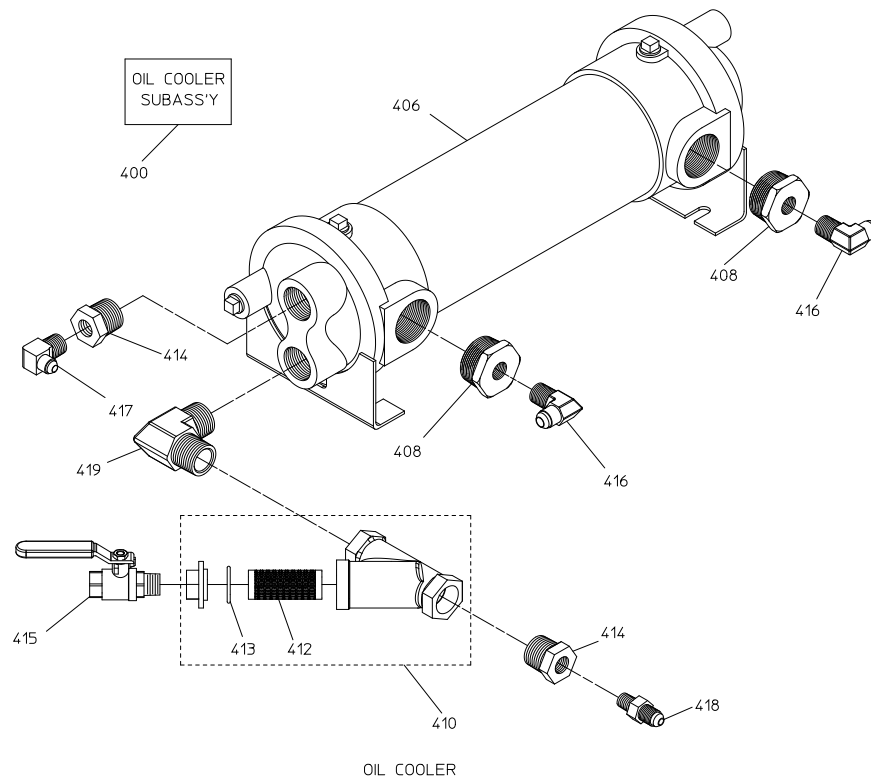
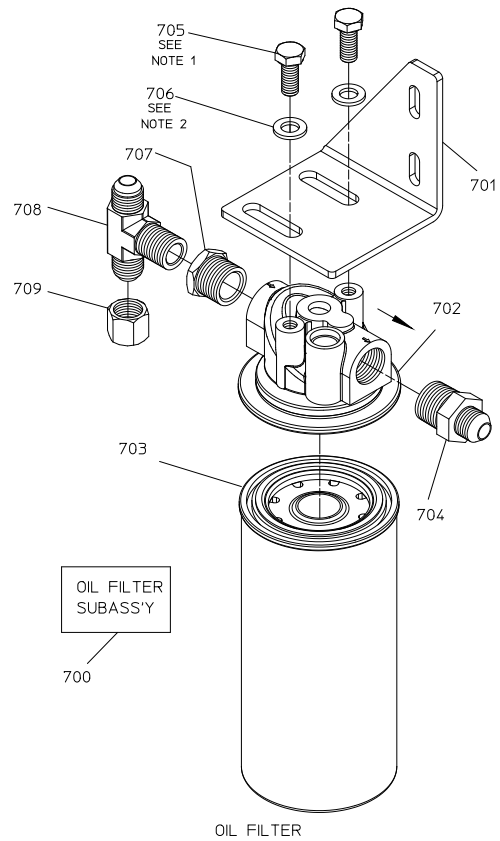
Apply Loctite 242 (Blue) or Equivalent

Air or Oil Fitting Threads:

Apply Loctite 545 (Red) or Equivalent

Service Notes:

1. Was Hex Head Screw, M10-.5 x 25mm prior to November 1, 2020.
2. Was Flat Washer, 10mm prior to November 1, 2020.



OIL COOLER AND FILTER – COMPONENTS

Oil Cooler and Filter - Oil Lines

REF. NO.	DESCRIPTION
20	Hydraulic Hose, 8 JIC x 33 in.
21	Hydraulic Hose, 8 JIC x 23 in.
22	Hydraulic Hose, 8 JIC x 50 in.

REF. NO.	DESCRIPTION
200	Compressor Subassembly (Includes 201-326)
400	Oil Cooler Subassembly (Includes 406-419)
700	Oil Filter Subassembly (Includes 701-709)

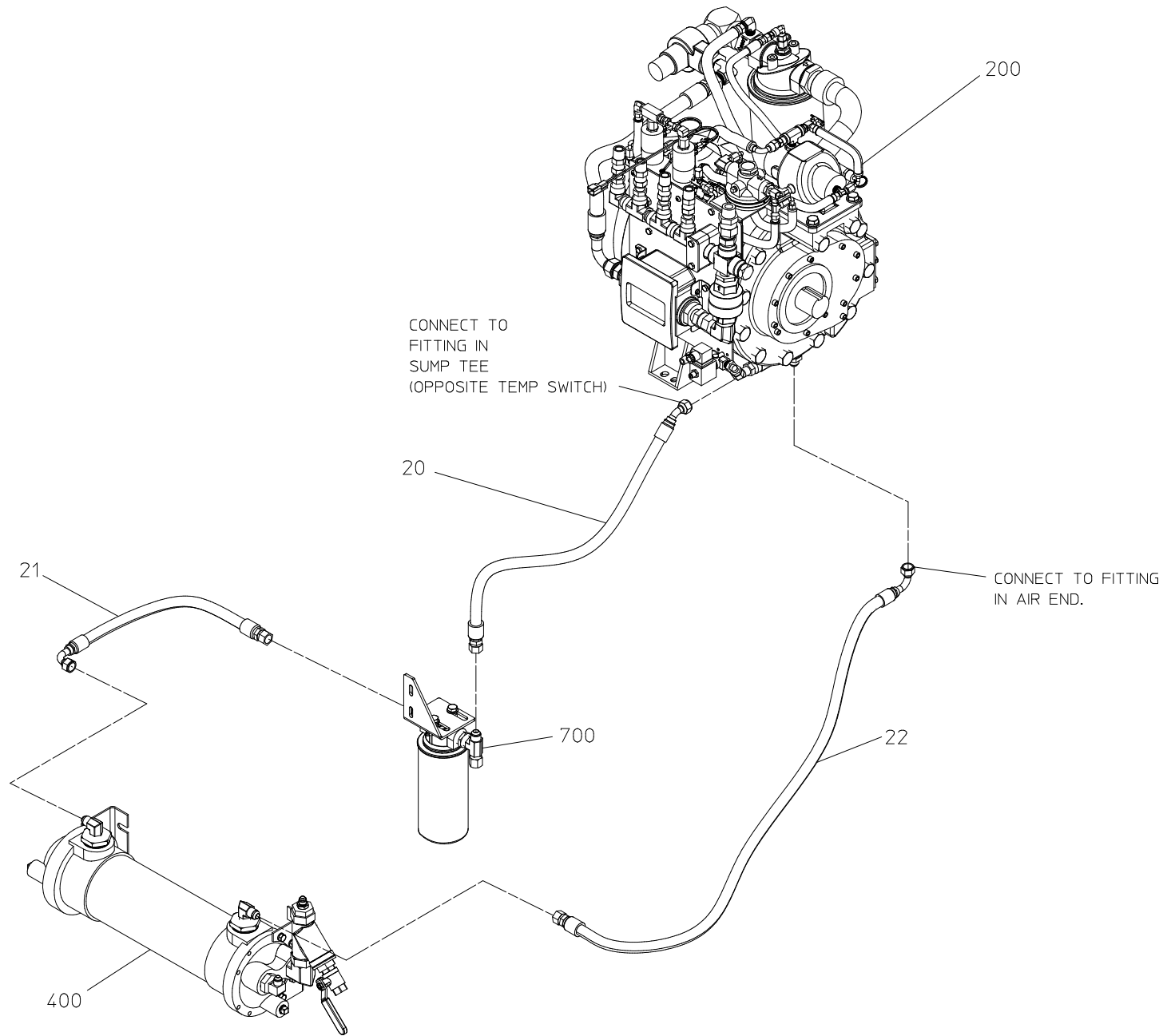
Unless Otherwise Noted:

Fastener Threads:

Apply Loctite 242 (Blue) or Equivalent

Air or Oil Fitting Threads:

Apply Loctite 545 (Red) or Equivalent



OIL COOLER AND FILTER – OIL LINES

Oil Cooler and Filter - Water Lines

REF. NO.	DESCRIPTION
14	Hose, 6 SAE x 3/8 MNPT x 48 in.
28	Pipe Tee, 3/8 FNPT
45	Pipe Nipple, 1/4 x 3/8 in.
46	90 Degree Brass Pipe Elbow, 3/8 in.

REF. NO.	DESCRIPTION
48	90 Degree Brass Street Elbow, 3/8 in.
49	Brass Reducing Bushing, 3/8 x 1/4 in.
400	Oil Cooler Subassembly (Includes 406-419)

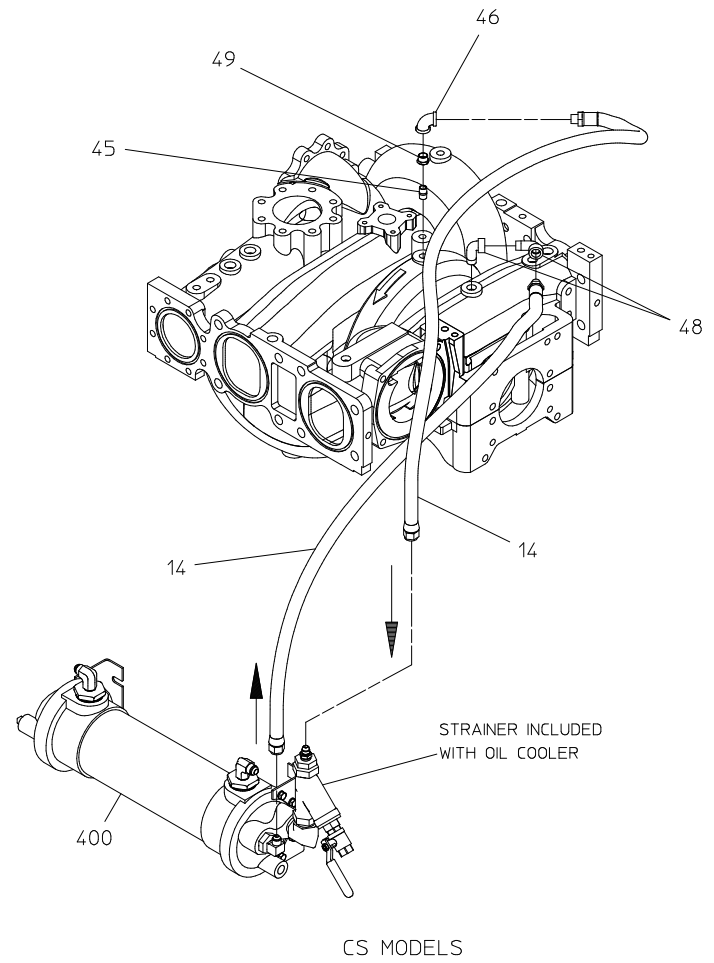
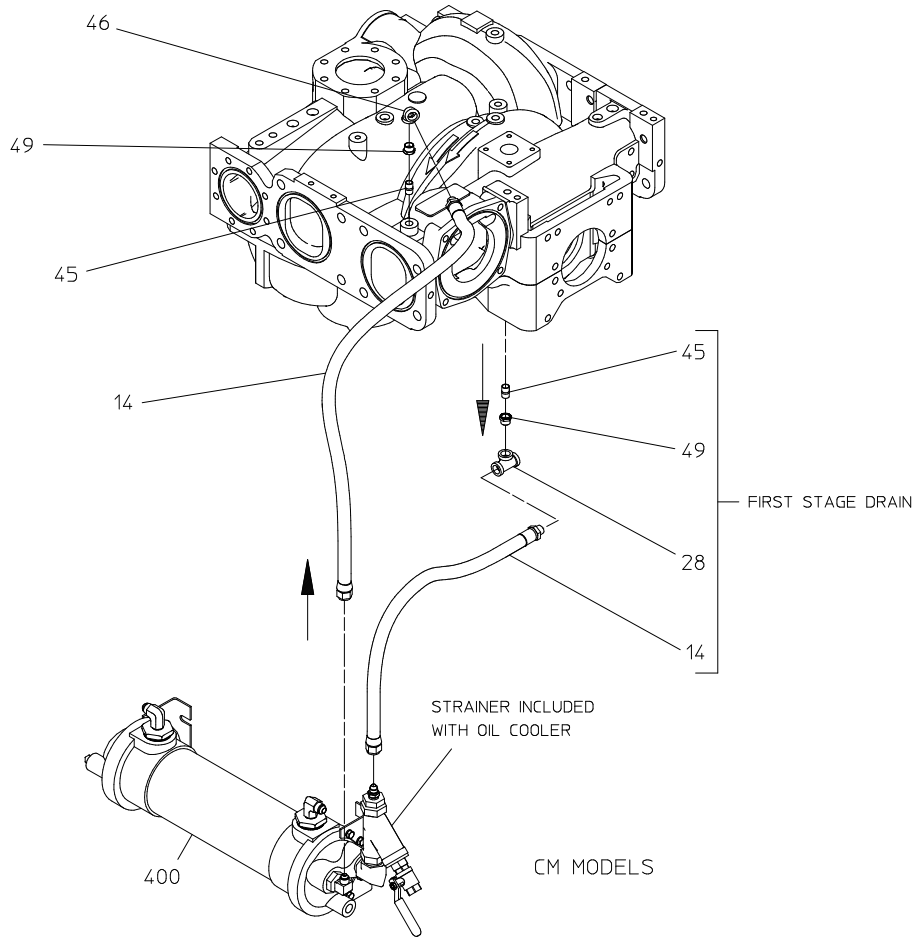
Unless Otherwise Noted:

Fastener Threads:

Apply Loctite 242 (Blue) or Equivalent

Air or Oil Fitting Threads:

Apply Loctite 545 (Red) or Equivalent



OIL COOLER AND FILTER – WATER LINES

Electrical Relay Panel - Components

REF. NO.	DESCRIPTION
18	Relay Panel

REF. NO.	DESCRIPTION
19	SPDT Relay

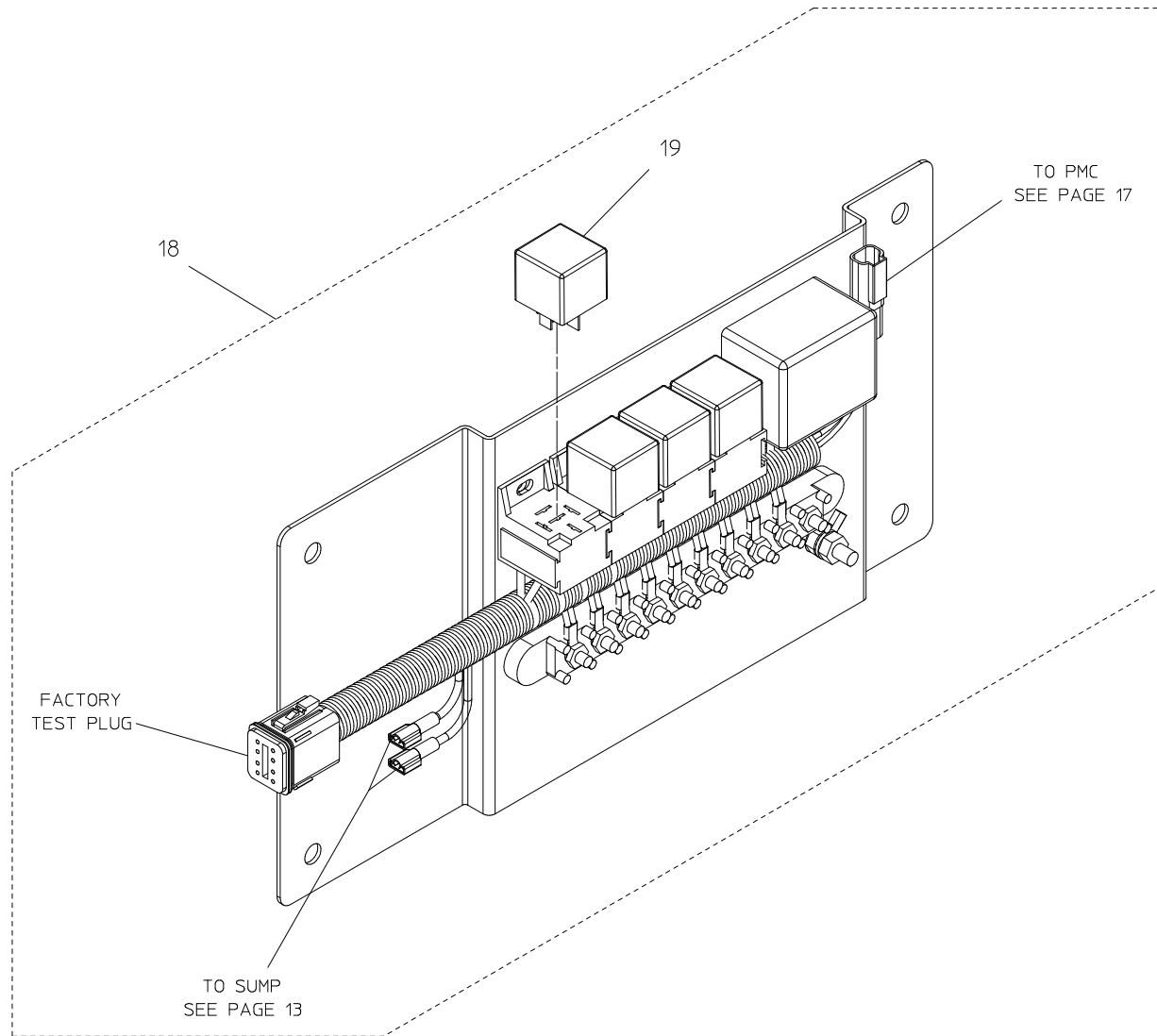
Unless Otherwise Noted:

Fastener Threads:

Apply Loctite 242 (Blue) or Equivalent

Air or Oil Fitting Threads:

Apply Loctite 545 (Red) or Equivalent



ELECTRICAL RELAY PANEL – COMPONENTS
FOR MOUNTING SEE FOAM SYSTEM SERVICE PARTS LIST

Wiring Schematic - Wiring Furnished by Waterous

REF. NO.	DESCRIPTION
16	Electric Auto-Sync Switch Harness
17	Electric Auto-Sync Plate
18	Relay Panel
19	SPDT Relay
93	Auto-Sync Extension Harness

REF. NO.	DESCRIPTION
235	Electric Auto-Sync Wiring Harness
255	Temperature Sender
256	Solenoid Valve
258	Pressure Switch

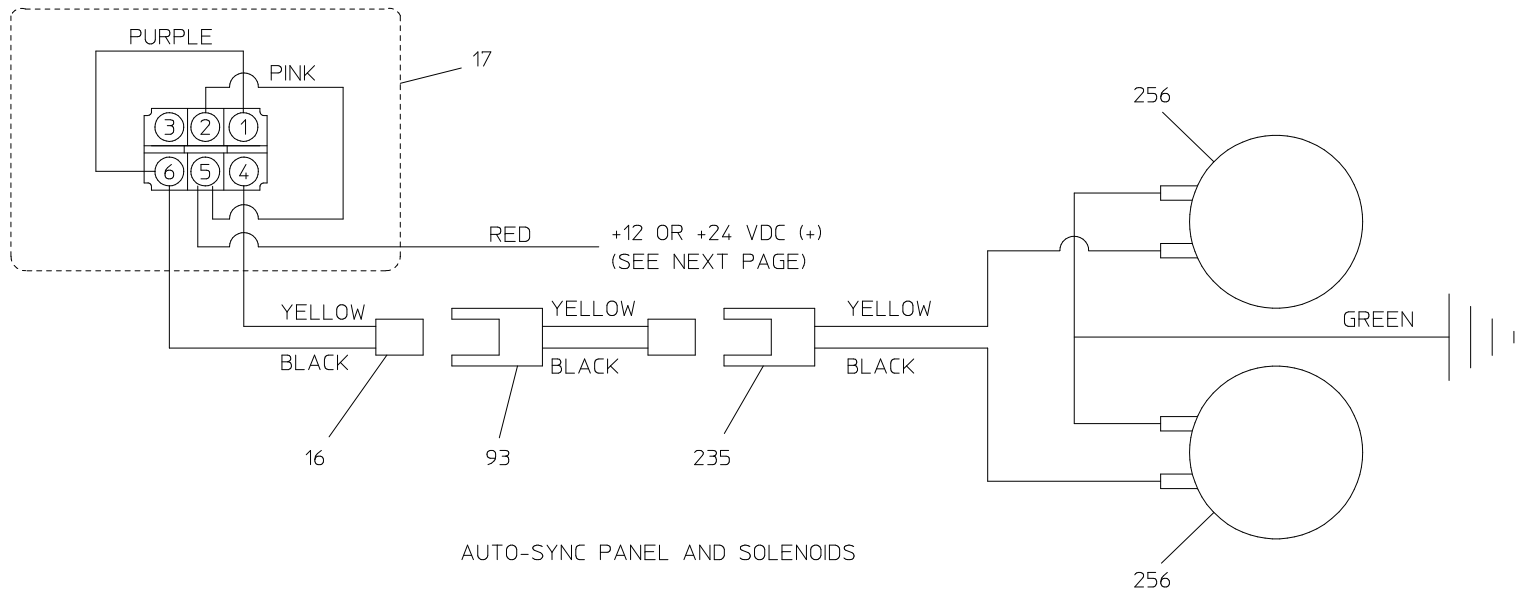
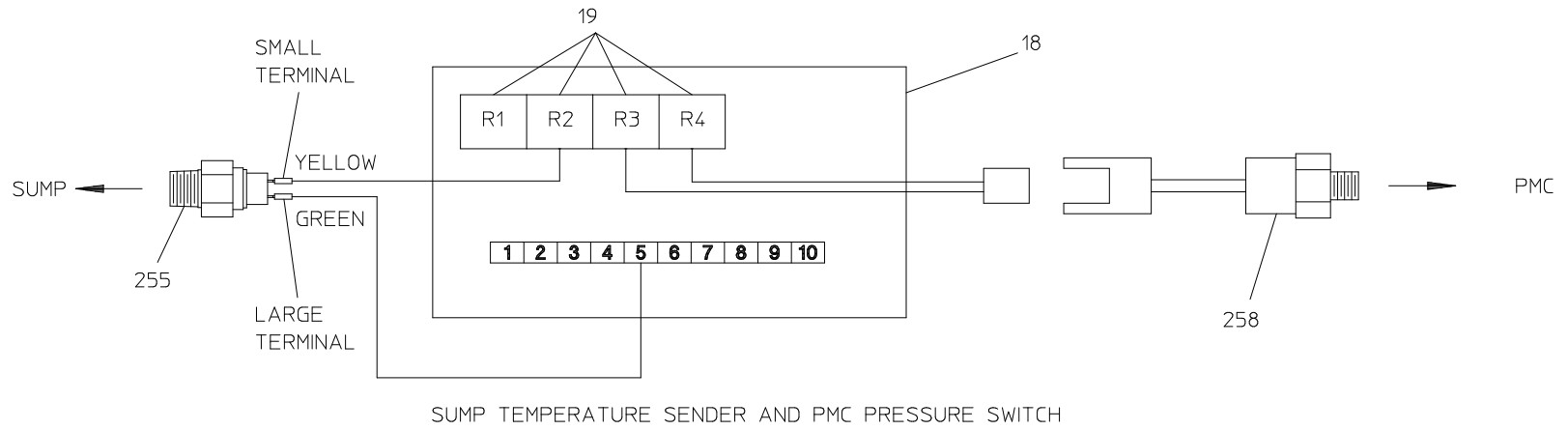
Unless Otherwise Noted:

Fastener Threads:

Apply Loctite 242 (Blue) or Equivalent

Air or Oil Fitting Threads:

Apply Loctite 545 (Red) or Equivalent



WIRING SCHEMATIC - WIRING FURNISHED BY WATEROUS

Wiring Schematic - Wiring Furnished by OEM

REF. NO.	DESCRIPTION
16	Electric Auto-Sync Switch Harness
17	Electric Auto-Sync Plate
18	Relay Plate
19	SPDT Relay
23	Air Flow Digital Display

REF. NO.	DESCRIPTION
54	2-Way Solenoid Valve, ½ in.
55	2-Way Solenoid Valve, ¾ in.
87	Dual Scale Oil Temperature Gauge
283	3-Way Solenoid Valve

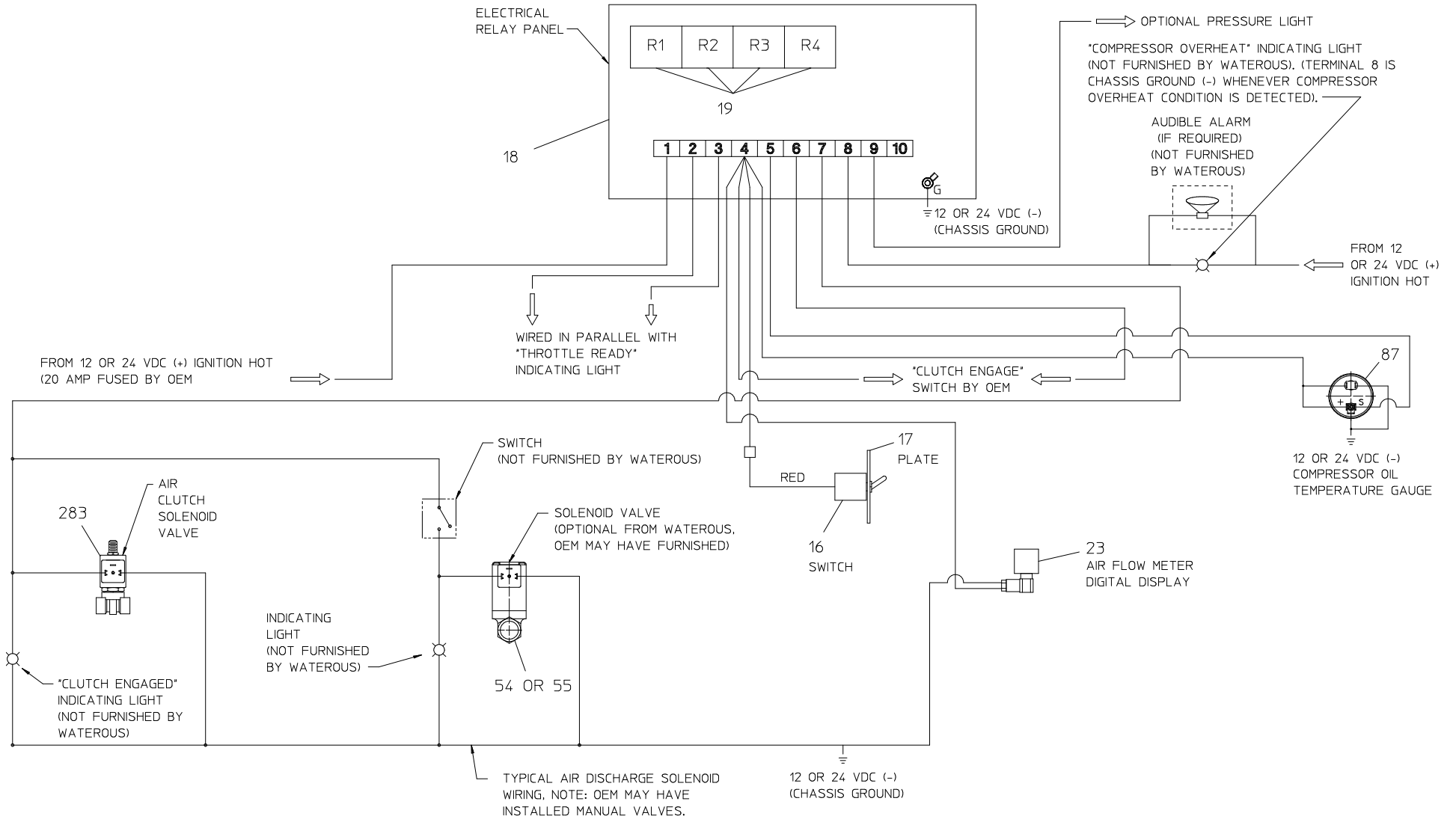
Unless Otherwise Noted:

Fastener Threads:

Apply Loctite 242 (Blue) or Equivalent

Air or Oil Fitting Threads:

Apply Loctite 545 (Red) or Equivalent



WIRING SCHEMATIC – WIRING FURNISHED BY OEM

Panel Components

REF. NO.	DESCRIPTION
16	Electric Auto-Sync Switch Harness
17	Electric Auto-Sync Plate
23	Air Flow Digital Display
50	Button Head Screw, No. 4-40 x ¼ in.
56	Air Flow Panel Ass'y (Includes 23 and 50)

REF. NO.	DESCRIPTION
85	Compressed Air Warning Panel Plate
86	Hose Length Panel Plate
87	Dual Scale Oil Temperature Gauge
91	Conversion Kit, Oil Temp Gauge to 24V

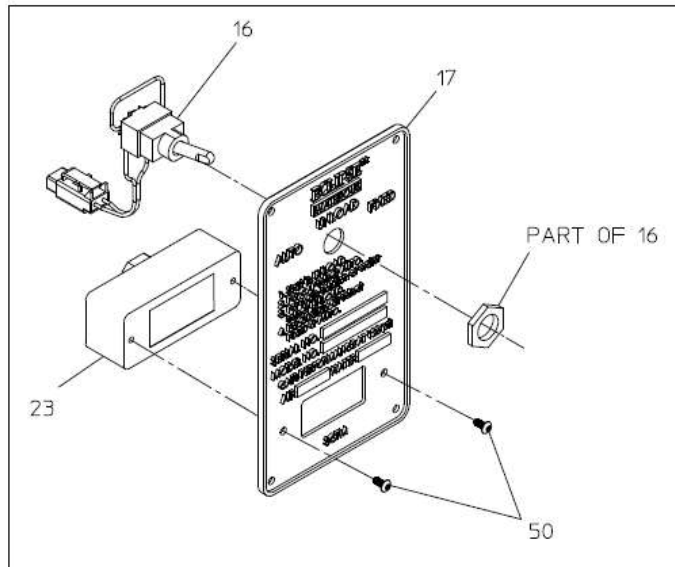
Unless Otherwise Noted:

Fastener Threads:

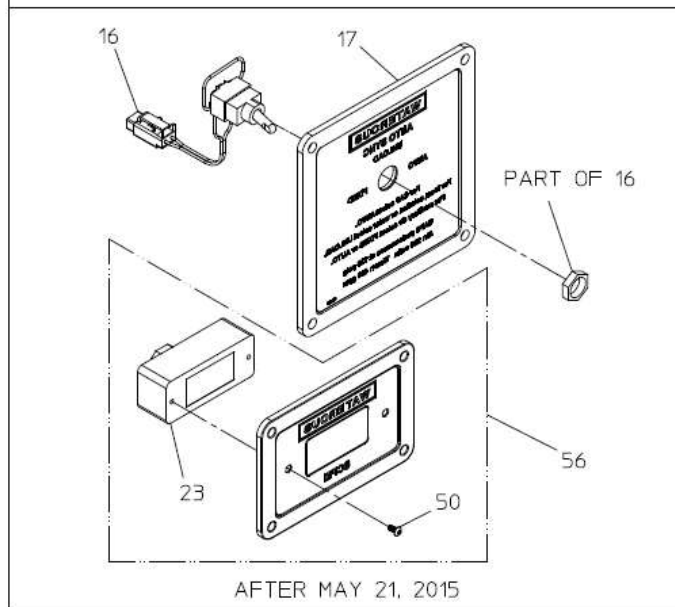
Apply Loctite 242 (Blue) or Equivalent

Air or Oil Fitting Threads:

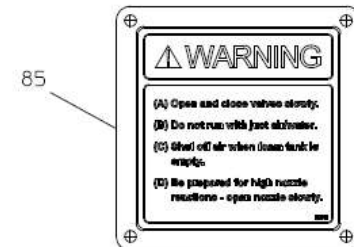
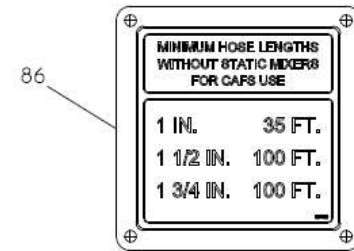
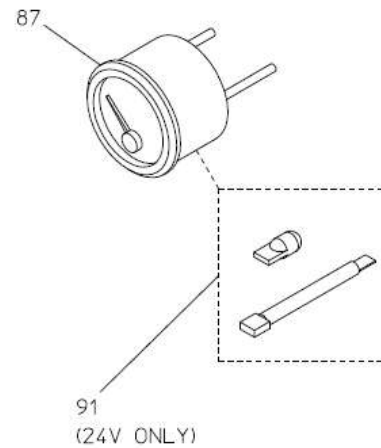
Apply Loctite 545 (Red) or Equivalent



PRIOR TO MAY 21, 2015



AFTER MAY 21, 2015



PANEL COMPONENTS