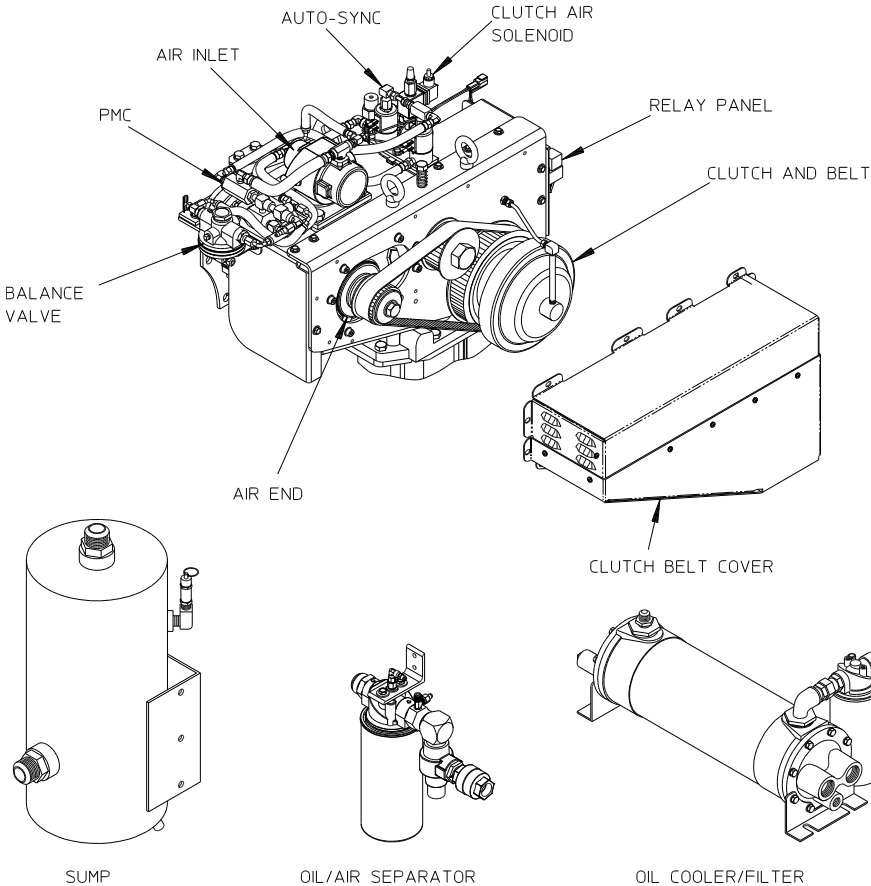


Eclipse™ ES Air Compressor and Drive

Service Parts List

(Models ECL-200 and ECL-400)

Index:



Component		See Page		
		Fire Pumps		PTO's
		S100 Series	CXN, CXS, CXV Series	
Clutch	Belt Cover	2, 3	2, 3	4, 5
	Clutch, Belt, Air Solenoid and Air Line	6, 7	6, 7	8, 9
Compressor	Mounting	10, 11	12, 13	14, 15
	Frame	16, 17	16, 17	16, 17
	Air End	18, 19	18, 19	18, 19
	Air Inlet	20, 21	20, 21	20, 21
	PMC	22, 23	22, 23	22, 23
	Balance Valve	24, 25	24, 25	24, 25
	Auto-Sync	26, 27	26, 27	26, 27
Air Circuit Hoses	Red Hoses	28, 29	28, 29	28, 29
	Blue and Yellow Hoses	30, 31	30, 31	30, 31
	Gray Hose	32, 33	32, 33	32, 33
	Black Hoses	34, 35	34, 35	34, 35
Sump		36, 37	36, 37	36, 37
Air/Oil Separator		38, 39	38, 39	38, 39
Oil Cooler and Oil Filter		40, 41	40, 41	40, 41
Air Line Schematic		42, 43	42, 43	42, 43
Hydraulic Oil and Water Line Schematic		44, 45	44, 45	44, 45
Electrical Relay Panel		46, 47	46, 47	46, 47
Wiring Schematic	Furnished by Waterous	48, 49	48, 49	48, 49
	Furnished by OEM	50, 51	50, 51	50, 51
Panel Components		52, 53	52, 53	52, 53

Clutch - Belt Cover

S100, CXN, CXS, CXV Series Pumps

REF. NO.	DESCRIPTION
9	Belt Cover
33	Hex Hd Screw, ¼-20 x ¾ in.
37	Lock Washer, ¼ in.

REF. NO.	DESCRIPTION
220	Tee, 1/4 FNPT x ¼ MNPT x ¼ MNPT
249	Hex Hd Screw, ¼-20 x 1 in.
252	Flat Washer, ¼ in.

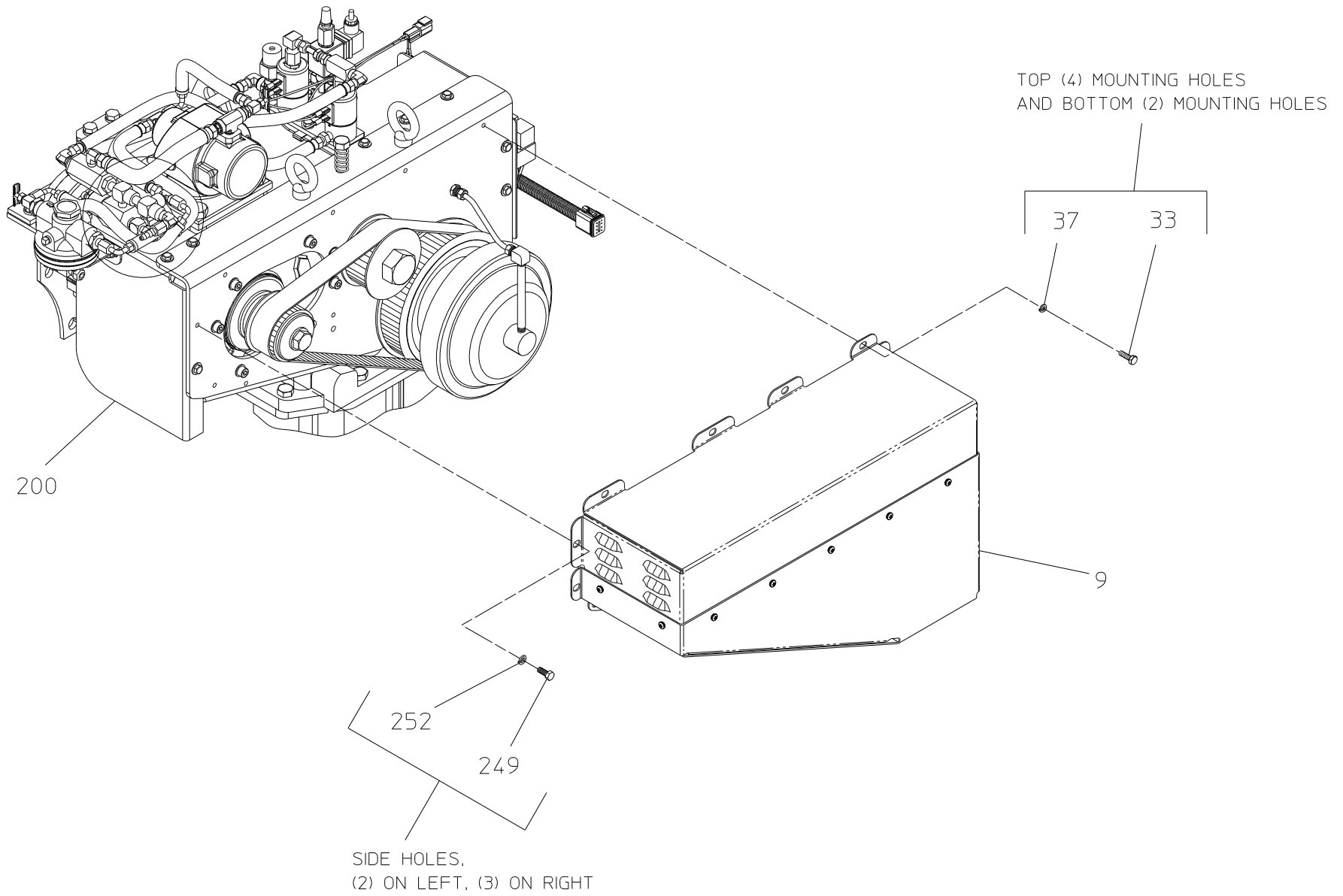
Unless Otherwise Noted:

Fastener Threads:

Apply Loctite 242 (Blue) or Equivalent

Air or Oil Fitting Threads:

Apply Loctite 545 (Red) or Equivalent



CLUTCH – BELT COVER

S100, CXN, CXS, CXV SERIES PUMPS

Clutch - Belt Cover

TC20 Series PTO

REF. NO.	DESCRIPTION
9	Belt Cover
33	Hex Hd Screw, ¼-20 x ¾ in.
37	Lock Washer, ¼ in.

REF. NO.	DESCRIPTION
200	Compressor Subassembly (Includes 200-276)
249	Hex Hd Screw, ¼-20 x 1 in.
252	Flat Washer, ¼ in.

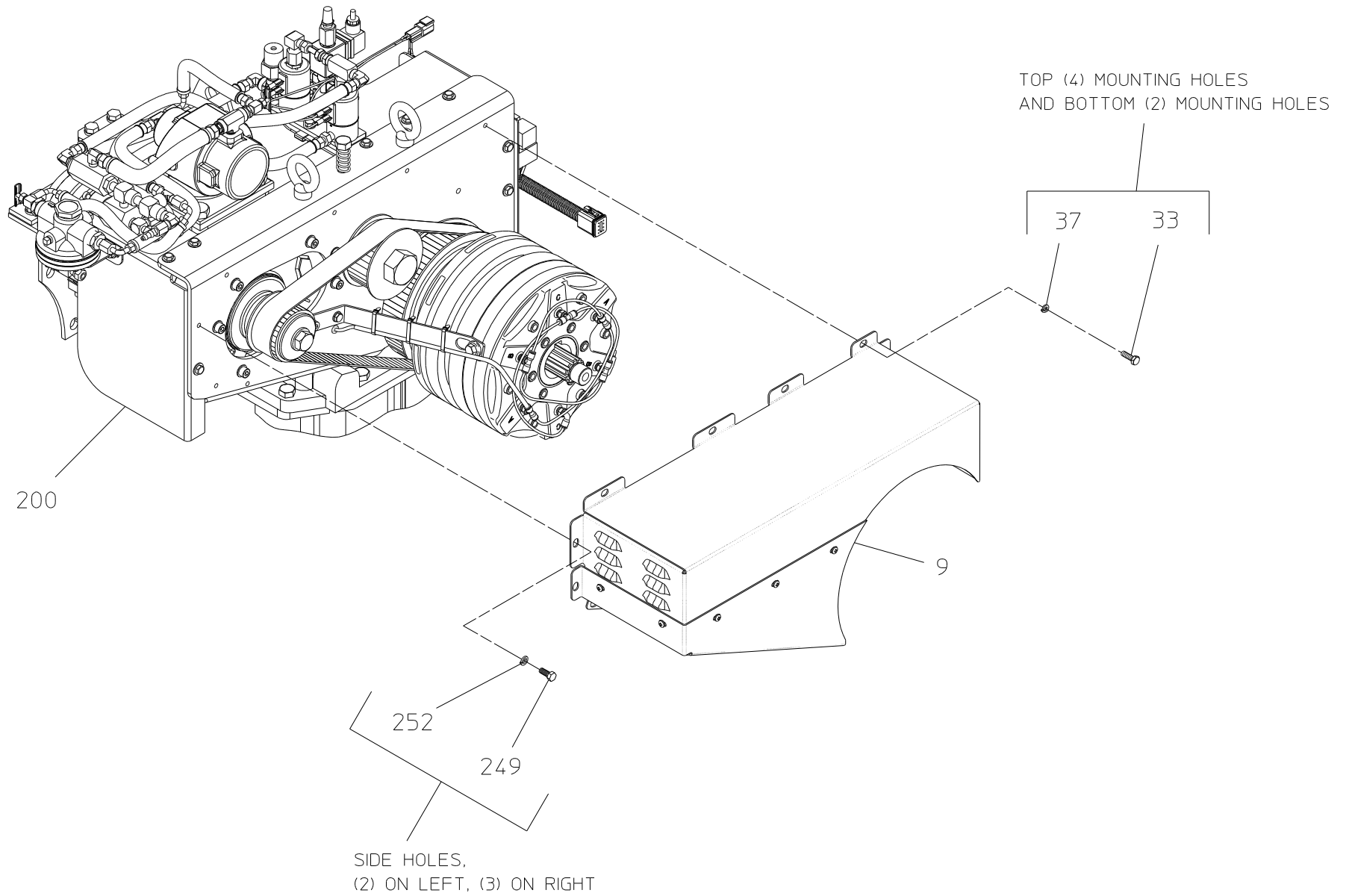
Unless Otherwise Noted:

Fastener Threads:

Apply Loctite 242 (Blue) or Equivalent

Air or Oil Fitting Threads:

Apply Loctite 545 (Red) or Equivalent



CLUTCH – BELT COVER

TC20 SERIES P.T.O.

Clutch - Clutch, Belt, Solenoid and Air Line

S100, CXN, CXS, CXV Series Pumps

REF. NO.	DESCRIPTION
1	Idler Spacer
2	Drive Sprocket, 75T
3	Sprocket Retainer
4	Driven Sprocket
7	Air Clutch
11	Nylon Tubing, ¼ x 10 in.
12	Nylon Tubing, ¼ x 6 in.
16	Air Clutch Subassembly
17	Rotating Union Repair Kit
19	90 Degree Elbow, ¼ in. Tube x ¼ MNPT
20	Idler Sprocket
21	Drive Belt
22	Bulkhead Union, ¼ in. Tube
24	Lock Washer, 8mm
29	90 Degree Elbow, ¼ Tube x ⅛ MNPT

REF. NO.	DESCRIPTION
30	Pipe Nipple, ⅛ NPT x 4-1/2 in.
31	Knurled Cup Set Screw, ⅜-24 x ⅜ in.
32	Knurled Cup Set Screw, ⅜-24 x ¾ in.
43	Hex Hd Screw, M16-2 x 40mm
46	Hex Hd Screw, M8-1.25 x 25mm
47	Lock Washer, 16mm
48	Air Clutch Repair Kit
200	Compressor Subassembly (Includes 200-276)
218	Muffler
225	Solenoid Mounting Bracket
246	Check Valve, ¼ in.
247	3-Way Solenoid Valve
248	Hex Hd Screw, ¼-20 x ¾ in.
252	Flat Washer, ¼ in.
256	Socket Flat Hd Screw, M4-.07 x 8mm

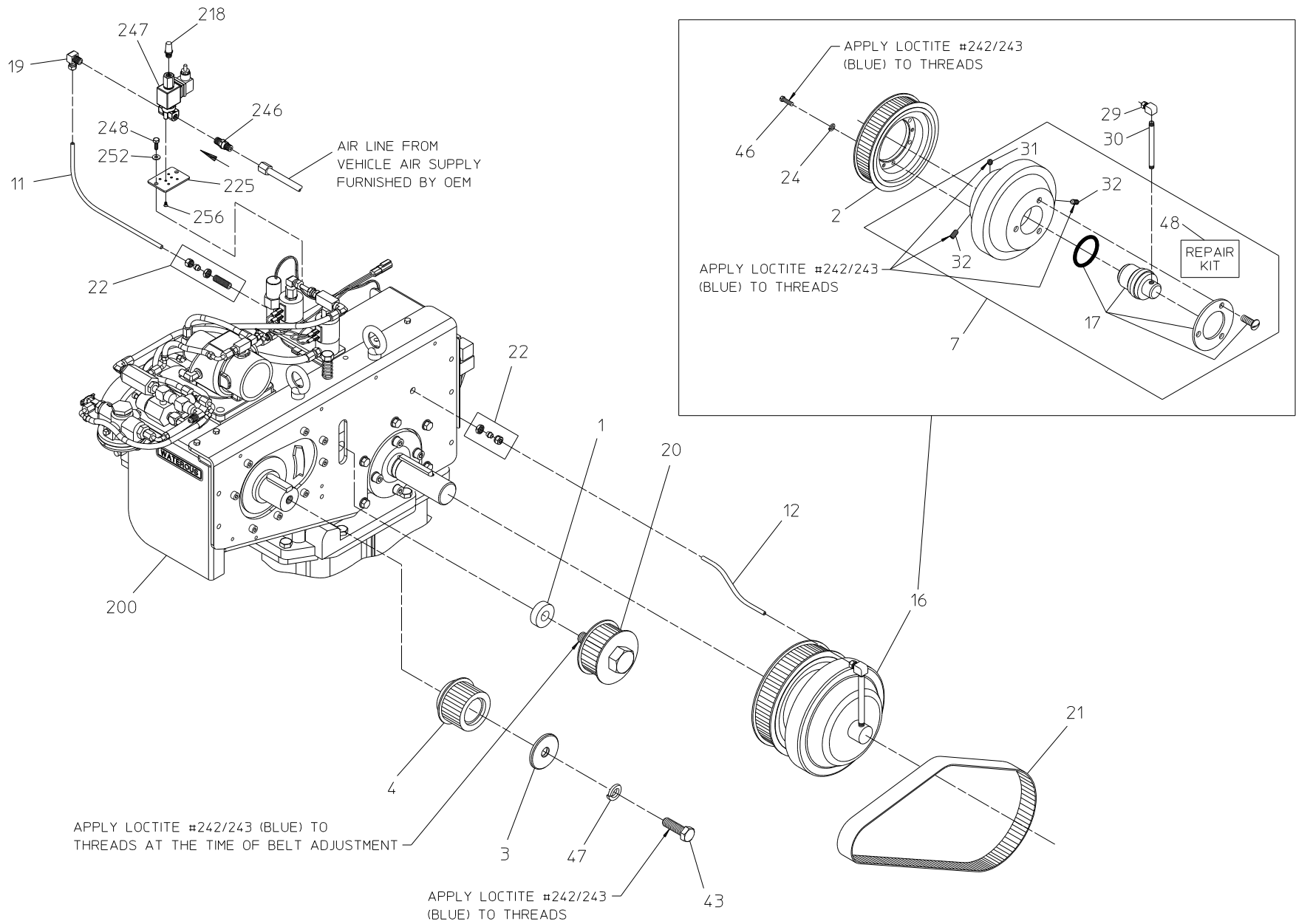
Unless Otherwise Noted:

Fastener Threads:

Apply Loctite 242 (Blue) or Equivalent

Air or Oil Fitting Threads:

Apply Loctite 545 (Red) or Equivalent



CLUTCH - CLUTCH, BELT, SOLENOID AND AIR LINE

S100, CXN, CXS, CXV SERIES PUMPS

Clutch - Clutch, Belt, Solenoid and Air Line TC20 Series PTO

REF. NO.	DESCRIPTION
1	Idler Spacer
2	Drive Sprocket, 75T
3	Sprocket Retainer
4	Driven Sprocket
5	Anti-Rotation Bracket
7	Air Clutch
13	Nylon Tubing, 5/32 x 30 in.
14	Fiberglass Sleeve, .166 x 12 in.
16	Air Clutch Subassembly
18	Cable Tie, 3/16 x 7-3/8 in.
20	Idler Sprocket
21	Drive Belt
25	Symmetrical Grommet, 3/16 in. I.D.
26	Rubber Grommet, SBR
27	Air Regulator
28	90 Degree Elbow, 5/32 Tube x 1/8 MNPT
33	Hex Hd Screw, 1/4-20 x 3/4 in.
35	Hex Hd Screw, 3/8-16 x 1-1/4 in.
37	Lock Washer, 1/4 in.
39	Reducing Bushing, 1/4 x 1/8 in. NPT
43	Hex Hd Screw, M16-2 x 40mm

REF. NO.	DESCRIPTION
47	Lock Washer, 16mm
48	Air Clutch Repair Kit
52	Set Screw, 1/2-13 x 3/4 in.
53	Square Key, 1/2 x 1/2 x 3.1 in.
54	Tee Fitting, 5/32 x 5/32 x 1/8 MNPT
55	90 Degree Elbow, 5/32 x 1/8 MNPT
57	Socket Hd Screw, 3/8-16 x 1.75
69	Air Line, 5/32 O.D. X 7 in.
70	Fiberglass Sleeve, .166 I.D. X 6 in.
71	Air Line, 5/32 O.D. X 10 in.
72	Fiberglass Sleeve, 9 in.
200	Compressor Subassembly (Includes 200-276)
218	Muffler
225	Solenoid Mounting Bracket
246	Check Valve, 1/4 in.
247	3-Way Solenoid Valve
248	Hex Hd Screw, 1/4-20 x 3/4 in.
252	Flat Washer, 1/4 in.
256	Socket Flat Hd Screw, M4-.07 x 8mm
258	Hex Hd Screw, M8-1.25 x 20mm
260	Flat Washer, 8mm

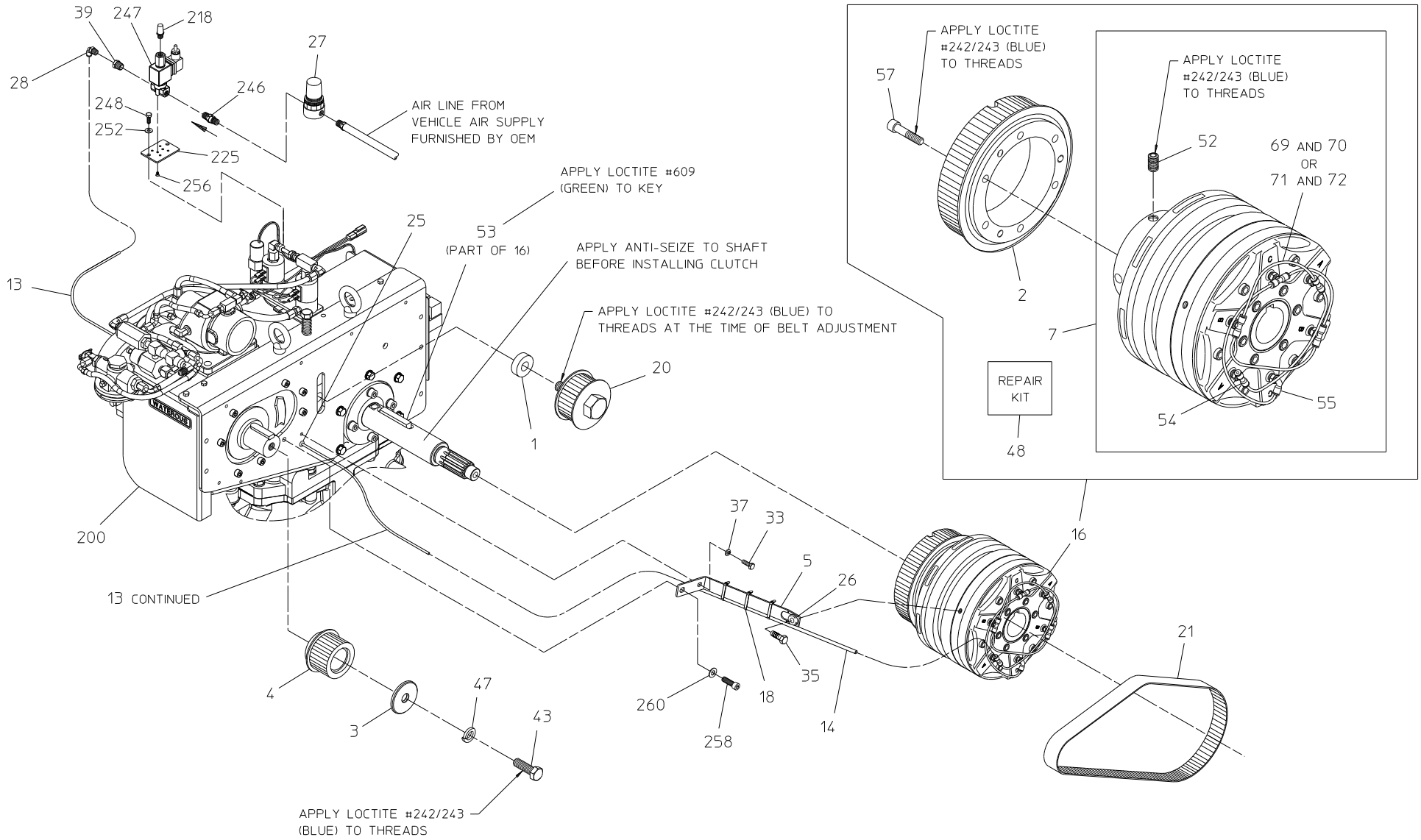
Unless Otherwise Noted:

Fastener Threads:

Apply Loctite 242 (Blue) or Equivalent

Air or Oil Fitting Threads:

Apply Loctite 545 (Red) or Equivalent



CLUTCH - CLUTCH, BELT, SOLENOID AND AIR LINE

TC20 SERIES P.T.O.

Compressor - Mounting

S100 Series PTO

REF. NO.	DESCRIPTION
10	Compressor Bracket
34	Hex Hd Screw, 3/8-16 x 1 in.
38	Lock Washer, 3/8 in.
40	Hex Hd Screw, M8-1.25 x 30mm

REF. NO.	DESCRIPTION
42	Hex Hd Screw, M12-1.75 x 25mm
44	Lock Washer, 8mm
45	Lock Washer, 12mm
200	Compressor Subassembly (Includes 200-276)

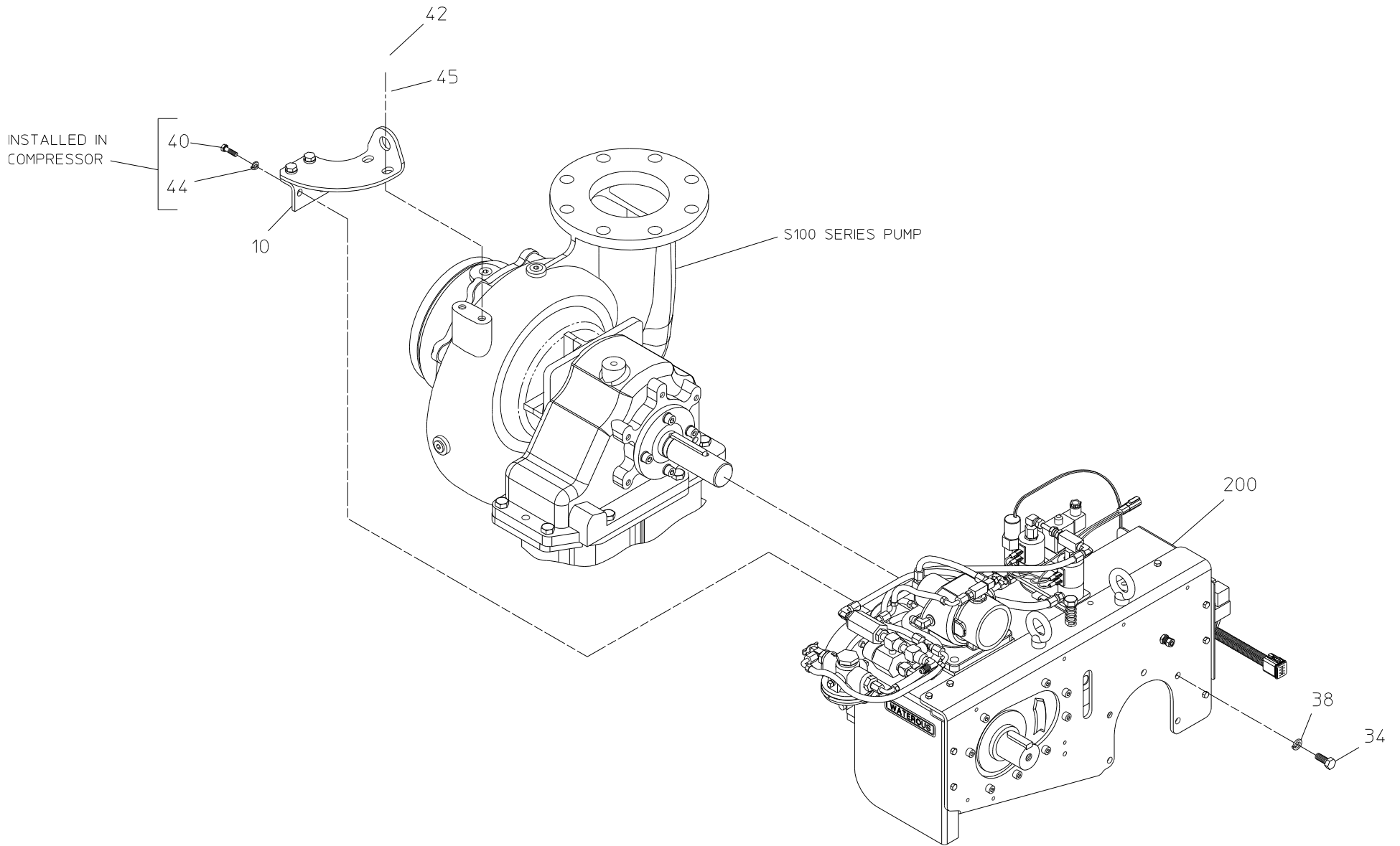
Unless Otherwise Noted:

Fastener Threads:

Apply Loctite 242 (Blue) or Equivalent

Air or Oil Fitting Threads:

Apply Loctite 545 (Red) or Equivalent



COMPRESSOR – MOUNTING

S100 SERIES PUMPS

Compressor - Mounting

CXN, CXS, CXV Series Pumps

REF. NO.	DESCRIPTION
8	Compressor Bracket
34	Hex Hd Screw, 3/8-16 x 1 in.
36	Hex Hd Screw, 1/2-13 x 1-1/2 in.
38	Lock Washer, 3/8 in.

REF. NO.	DESCRIPTION
40	Hex Hd Screw, M8-1.25 x 30mm
44	Lock Washer, 8mm
200	Compressor Subassembly (Includes 200-276)

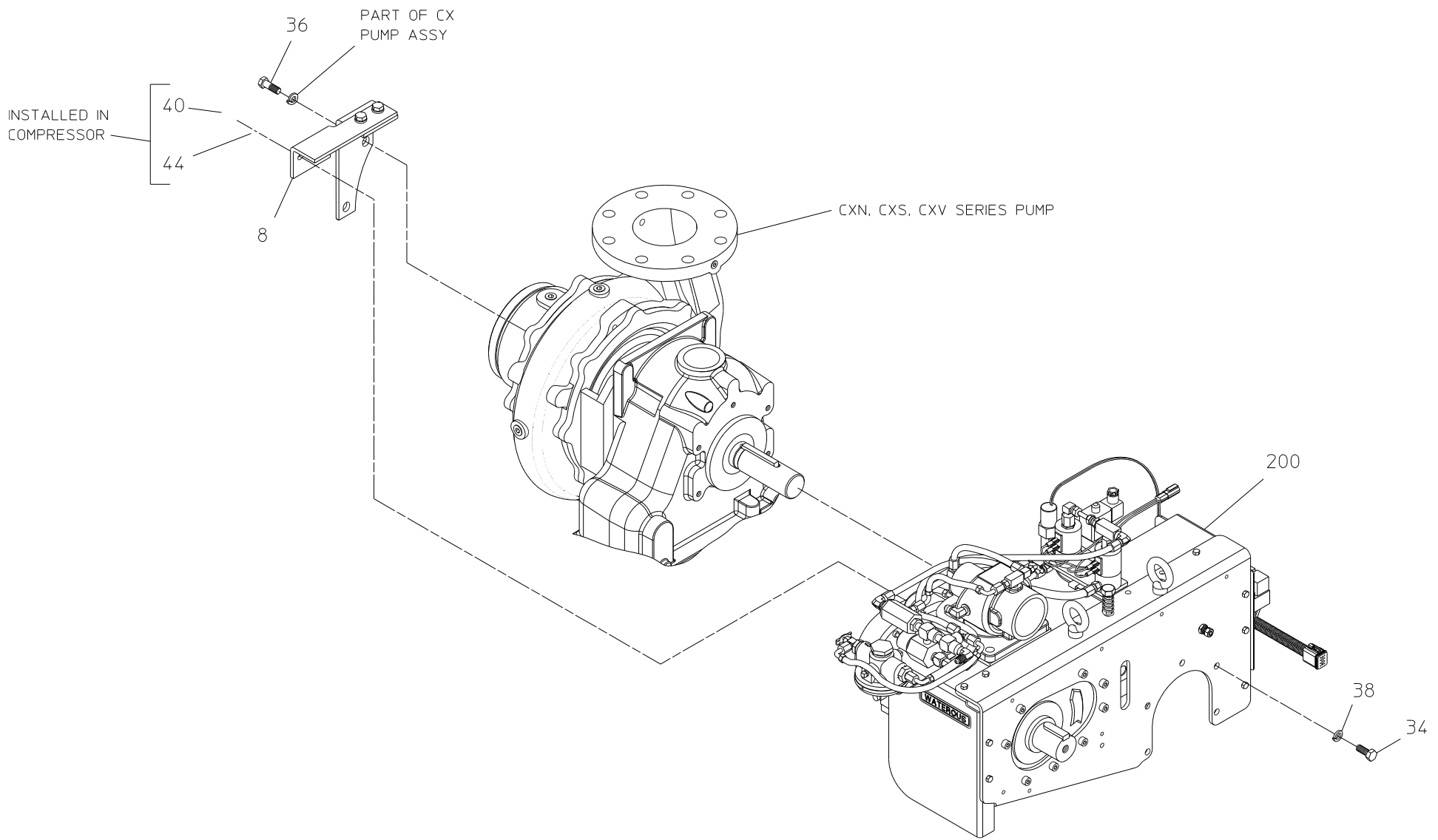
Unless Otherwise Noted:

Fastener Threads:

Apply Loctite 242 (Blue) or Equivalent

Air or Oil Fitting Threads:

Apply Loctite 545 (Red) or Equivalent



COMPRESSOR – MOUNTING

CXN, CXS, CXV SERIES PUMPS

Compressor - Mounting

TC20 Series PTO

REF. NO.	DESCRIPTION
15	Mounting Bracket
34	Hex Hd Screw, 3/8-16 x 1 in.
38	Lock Washer, 3/8 in.

REF. NO.	DESCRIPTION
41	Hex Hd Screw, M16-2 x 30mm
47	Lock Washer, 16mm
200	Compressor Subassembly (Includes 200-276)

Unless Otherwise Noted:

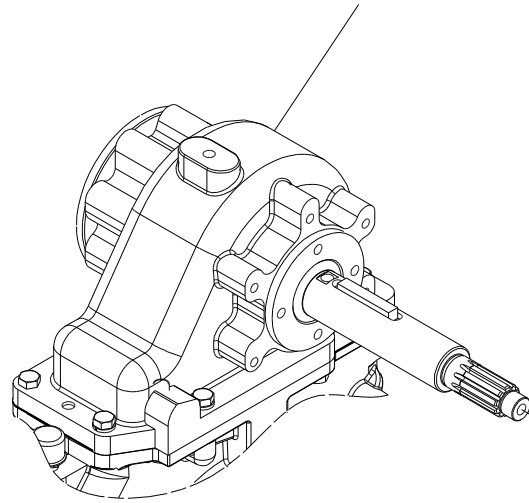
Fastener Threads:

Apply Loctite 242 (Blue) or Equivalent

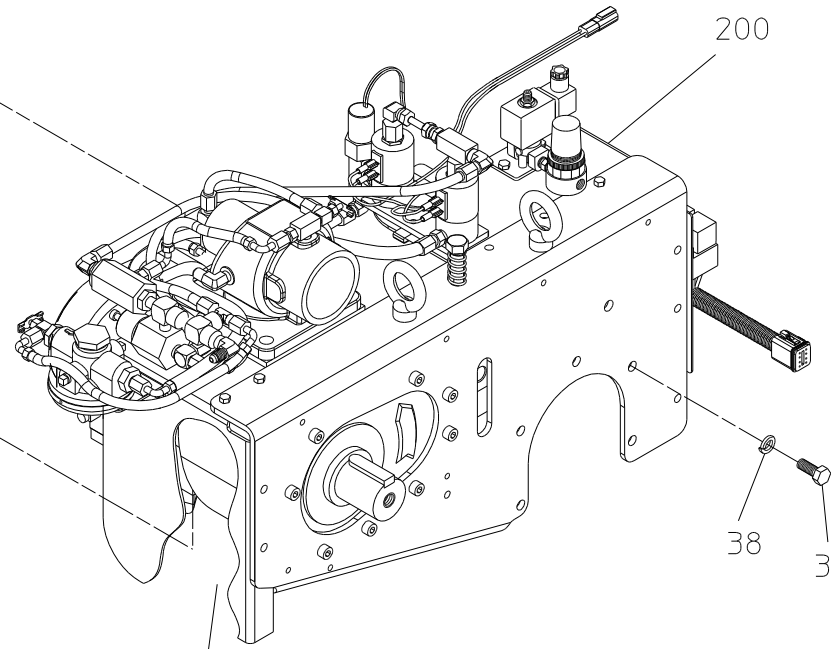
Air or Oil Fitting Threads:

Apply Loctite 545 (Red) or Equivalent

TC20 SERIES PTO

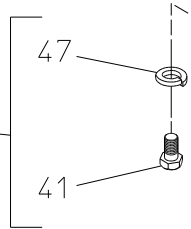


200



38 34

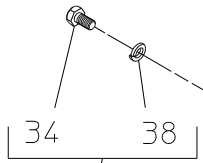
INSTALLED IN COMPRESSOR



47

41

INSTALLED IN P.T.O. CASE



34

38

COMPRESSOR - MOUNTING

TC20 SERIES P.T.O.

RIGHT PLATE BROKEN TO SHOW COMPRESSOR BRACKET LOCATION

Compressor - Frame

REF. NO.	DESCRIPTION
210	U-Style Nut, ¼-20
221	Bolt Eye, M12-1.75 x 21mm
242	Idler Adjustment Angle
244	Belt Tensioner Spring
254	Hex Hd Screw, ½-13 x 6 in. (Fully Threaded)
258	Hex Hd Screw, M8-1.25 x 20mm

REF. NO.	DESCRIPTION
259	Hex Hd Screw, M8-1.25 x 90mm
260	Flat Washer, 8mm
264	Left Bracket
265	Right Bracket
266	Compressor Plate

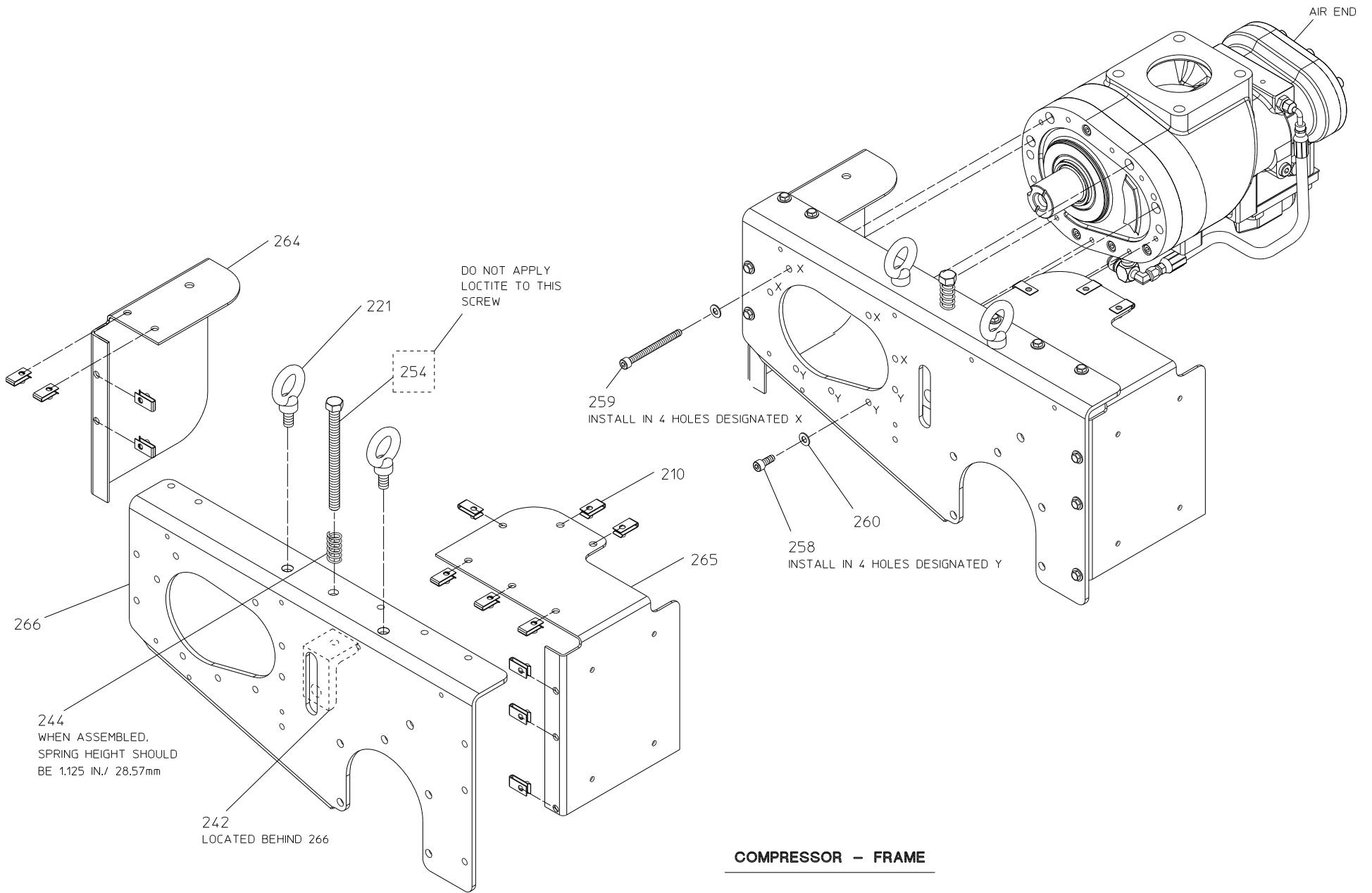
Unless Otherwise Noted:

Fastener Threads:

Apply Loctite 242 (Blue) or Equivalent

Air or Oil Fitting Threads:

Apply Loctite 545 (Red) or Equivalent



COMPRESSOR – FRAME

Compressor - Air End

REF. NO.	DESCRIPTION
219	Straight Adapter, M12 x 4 MJIC
223	Hose Assembly
224	Oil Return Tee
228	Outlet Gasket
229	Straight Adapter, M22-1.5 x 8 MJIC
230	Outlet Flange

REF. NO.	DESCRIPTION
234	90 Degree Elbow, 1-1/2 MNPT x 24 MJIC
241	Air End, CF75D8
251	O-ring, 3-7/8 x 4-1/4 in.
257	Hex Hd Screw, M16-2 x 30mm
275	Replacement Compressor Kit
279	Shaft Seal Repair Kit

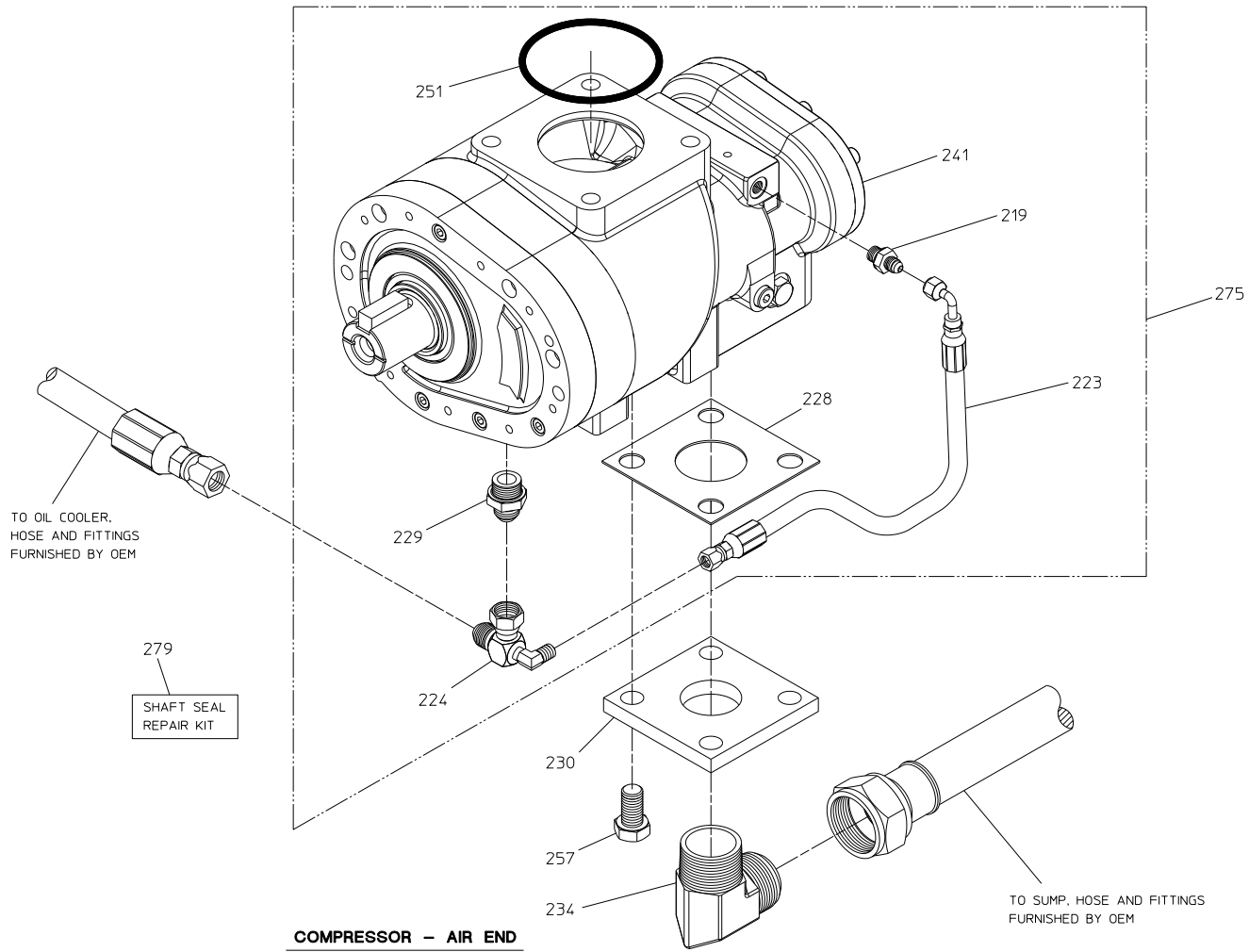
Unless Otherwise Noted:

Fastener Threads:

Apply Loctite 242 (Blue) or Equivalent

Air or Oil Fitting Threads:

Apply Loctite 545 (Red) or Equivalent



Compressor - Air Inlet

REF. NO.	DESCRIPTION
80	Inlet Adapter, 3 x 3 in.
81	Hose Clamp, 3-3/4 in.
82	T-Bolt Hose Clamp, 3-1/2 in.
83	Air Filter
84	90 Degree Elbow, 3 in. (Rubber)
205	Trim Valve, 4 MJIC x 1/8 MNPT
206	Reducing Bushing, 1/4 NPT x 1/8 NPT
208	Tee, 1/4 FNPT x 1/4 FNPT x 1/4 MNPT

REF. NO.	DESCRIPTION
213	Straight dapter, 6 MJIC x 1/4 MNPT
214	90 Degree Elbow, 4 MJIC s 1/4 MNPT
216	Tee, 4 MJIC x 4 MJIC x 1/4 MNPT
235	90 Degree Air Inlet
251	O-ring, 3-7/8 x 4-1/4 in.
257	Hex Hd Screw, M16-2 x 30mm
261	Flat Washer, 16mm

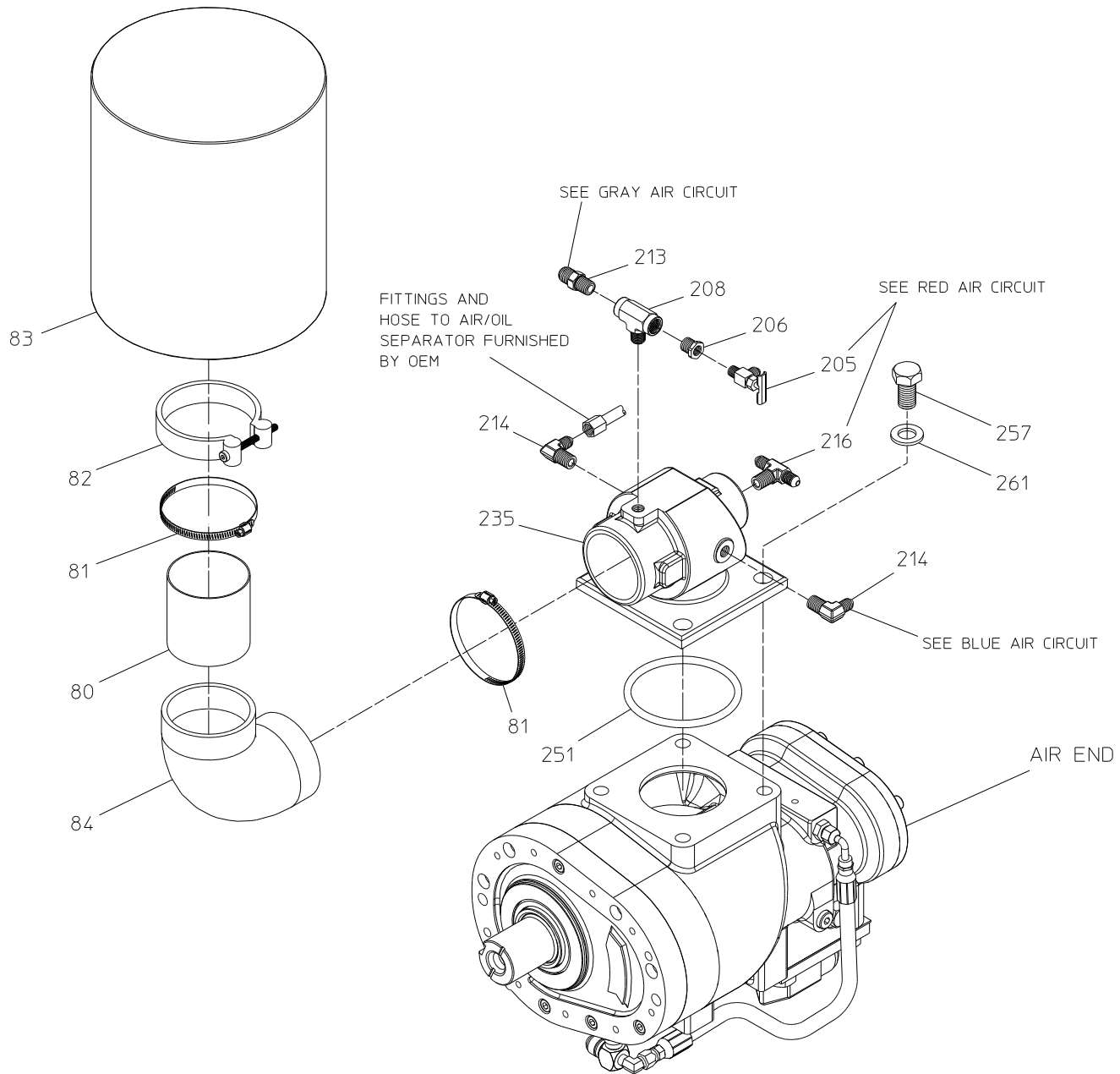
Unless Otherwise Noted:

Fastener Threads:

Apply Loctite 242 (Blue) or Equivalent

Air or Oil Fitting Threads:

Apply Loctite 545 (Red) or Equivalent



COMPRESSOR - AIR INLET

ALSO SEE AIR CIRCUIT HOSE PAGES

Compressor - PMC

REF. NO.	DESCRIPTION
51	Black Hose Assembly, $\frac{3}{8}$ x 84 in. (Cut to Suit Installation)
201	Hose Barb, $\frac{3}{8}$ Hose x 6 FJIC
214	90 Degree Elbow, 4 MJIC x $\frac{1}{4}$ MNPT
215	90 Degree Elbow, 6 MJIC x $\frac{1}{4}$ MNPT
216	Tee, 4 MJIC x 4 MJIC x $\frac{1}{4}$ MNPT
217	Tee, 4 MJIC x $\frac{1}{4}$ MNPT x 4 MJIC

REF. NO.	DESCRIPTION
220	Tee, $\frac{1}{4}$ FNPT x $\frac{1}{4}$ MNPT x $\frac{1}{4}$ MNPT
222	Tee, $\frac{1}{4}$ FNPT x $\frac{1}{4}$ MNPT x $\frac{1}{4}$ FNPT
237	Blow Down Valve
238	Pressure Regulator
277	Hex Hd Screw, $\frac{3}{8}$ -16 x $\frac{1}{2}$ in.
278	Lock Washer, $\frac{3}{8}$ in.

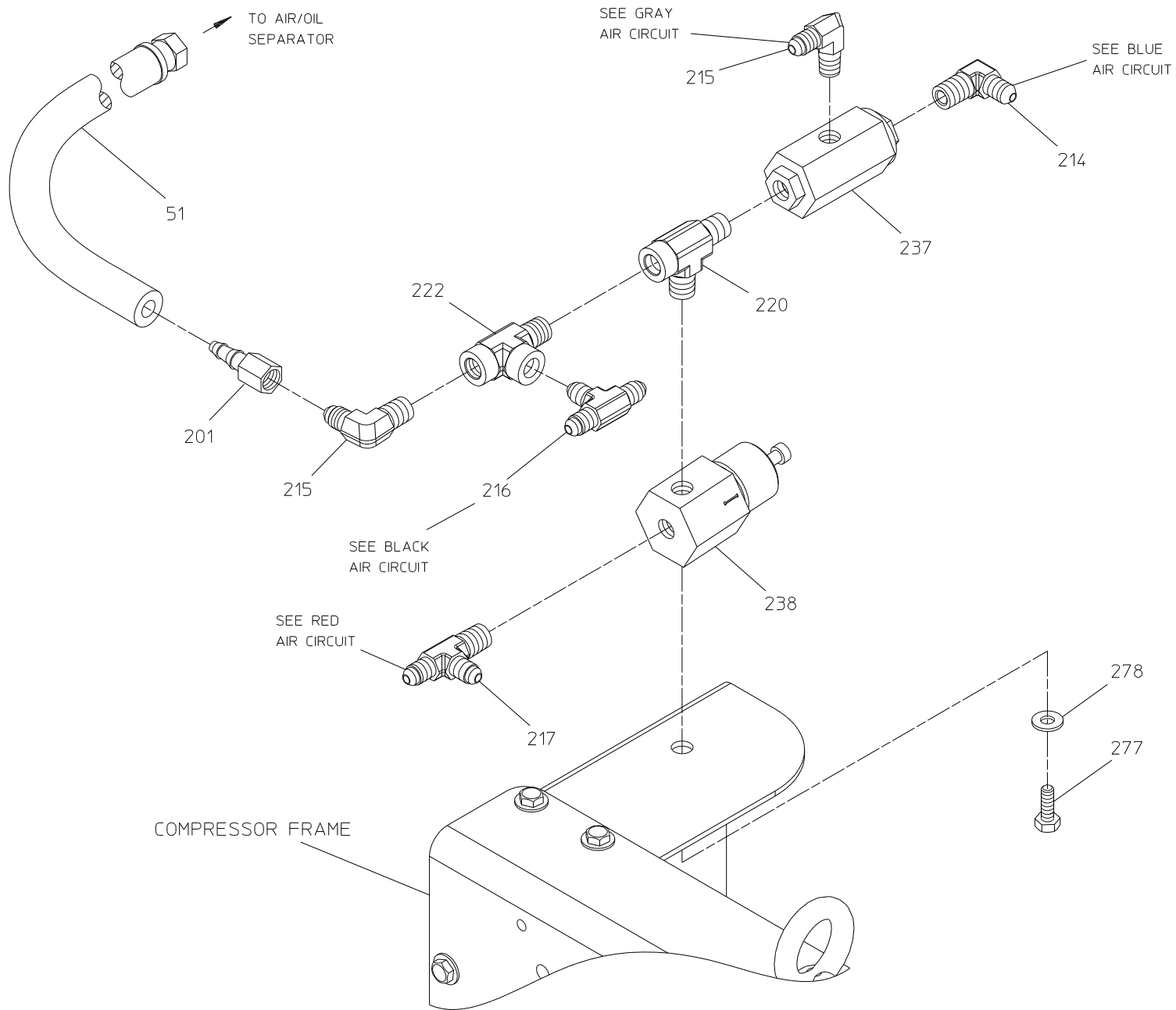
Unless Otherwise Noted:

Fastener Threads:

Apply Loctite 242 (Blue) or Equivalent

Air or Oil Fitting Threads:

Apply Loctite 545 (Red) or Equivalent



COMPRESSOR - PMC

ALSO SEE AIR CIRCUIT HOSE PAGES

Compressor - Balance Valve

REF. NO.	DESCRIPTION
205	Trim Valve, 4 MJIC x 1/8 MNPT
207	Reducing Bushing, 1/2 NPT x 1/8 NPT
212	Straight Adapter, 1/2 MNPT x 6 MJIC
232	Balance Valve
233	90 Degree Elbow, 1/4 MNPT x 1/4 Tube

REF. NO.	DESCRIPTION
236	Balance Valve Repair Kit
248	Hex Hd Screw, 1/4-20 x 3/4 in.
252	Flat Waher, 1/4 in.
255	Nylok Hex Nut, 1/4-20
262	Orange Air Brake Tube, 1/4 in. (Cut to Suit Installation)

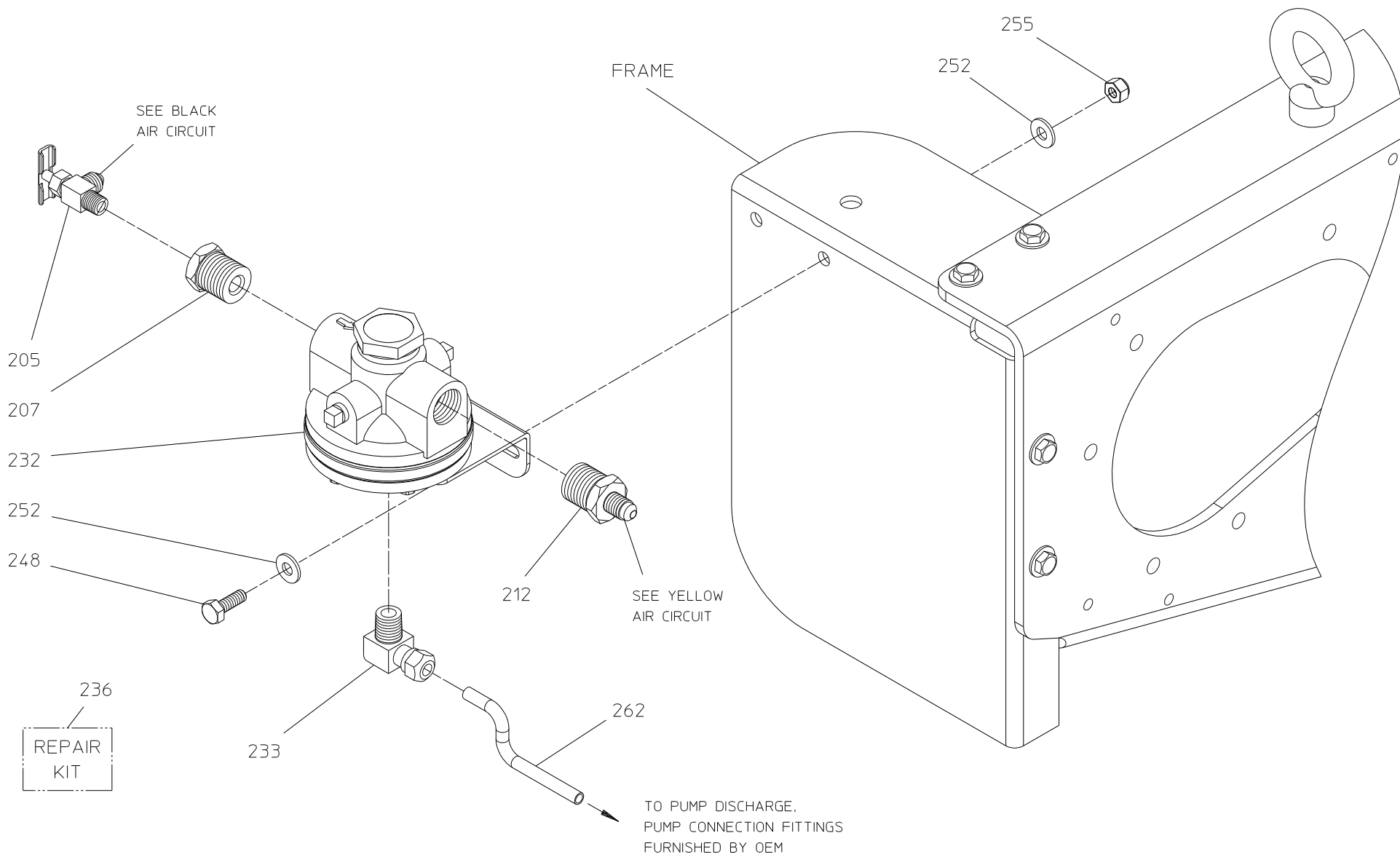
Unless Otherwise Noted:

Fastener Threads:

Apply Loctite 242 (Blue) or Equivalent

Air or Oil Fitting Threads:

Apply Loctite 545 (Red) or Equivalent



COMPRESSOR - BALANCE VALVE

ALSO SEE AIR CIRCUIT HOSE PAGES

Compressor - Auto Sync

REF. NO.	DESCRIPTION
49	Electric Auto-Sync Switch Harness
50	Electric Auto-Sync Plate
93	Auto-Sync Extension Harness, 15 Feet
202	Straight Adapter, ¼ MNPT x ¼ Tube
204	90 Degree Elbow, ¼ Tube, ¼ MNPT
208	Tee, ¼ FNPT x ¼ FNPT x ¼ MNPT
211	Straight Adapter, ¼ MNPT x 4 MJIC
214	90 Degree Elbow, 4 MJIC x ¼ MNPT
222	Tee, ¼ FNPT x ¼ MNPT x ¼ FNPT
226	Flat Solenoid Bracket

REF. NO.	DESCRIPTION
227	Electric Auto-Sync Wiring Harness
231	Relay Panel
239	Solenoid Valve
240	Pressure Switch
245	Internal Tooth Washer, No. 10
248	Hex Hd Screw, ¼-20 x ¾ in.
250	Pan Hd Screw, No. 10-32 x ⅝ in.
252	Flat Washer, ¼ in.
253	Flat Head Screw, No. 10-32 x ½ in.
263	Red Air Brake Tube, ¼ in. (Cut to Suit Installation)

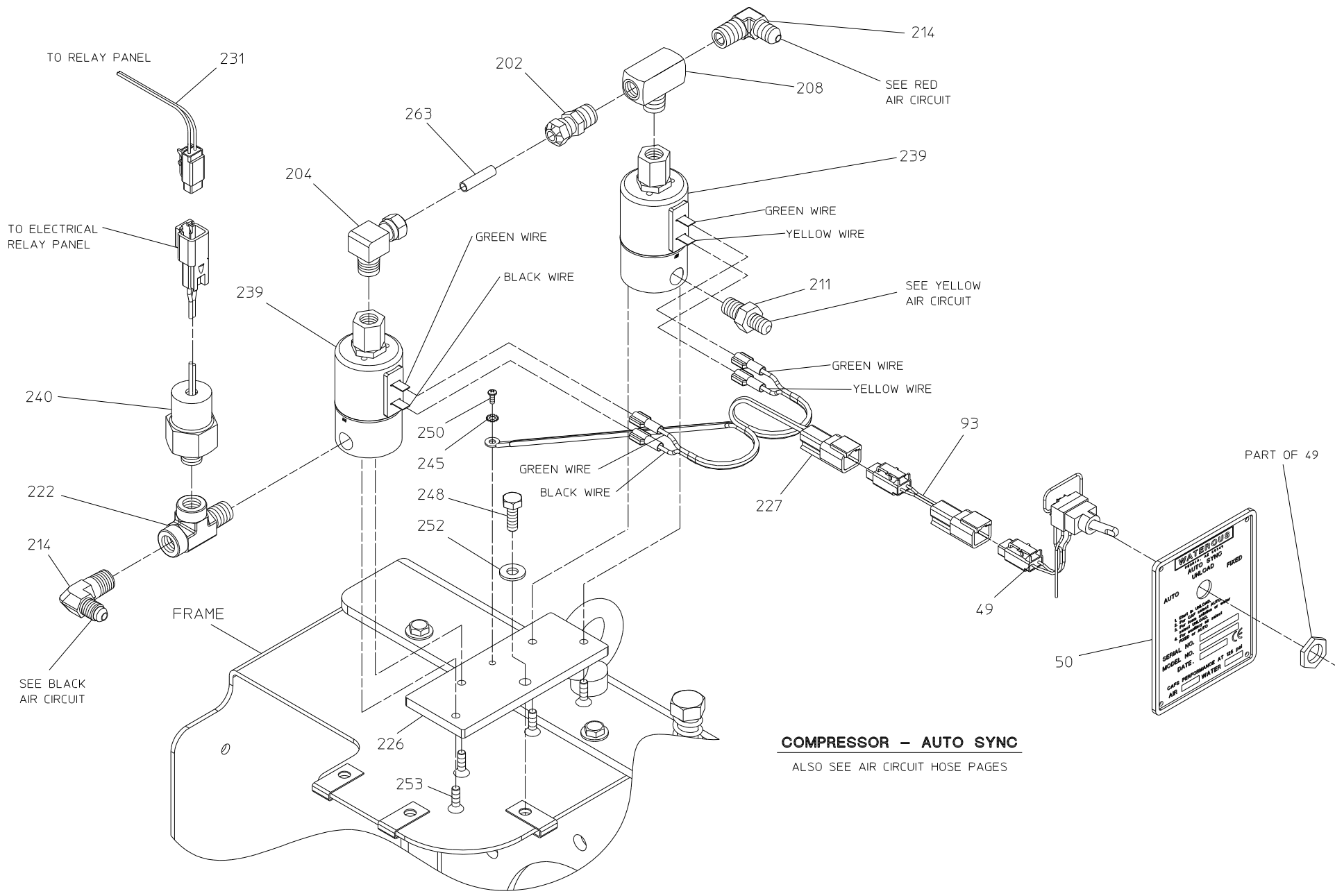
Unless Otherwise Noted:

Fastener Threads:

Apply Loctite 242 (Blue) or Equivalent

Air or Oil Fitting Threads:

Apply Loctite 545 (Red) or Equivalent



COMPRESSOR - AUTO SYNC
 ALSO SEE AIR CIRCUIT HOSE PAGES

Air Circuit Hoses - Red

REF. NO.	DESCRIPTION
267	Red Hose Assembly, ¼ in. x 4-1/2 in. Long
268	Red Hose Assembly, ¼ in. x 9 in. Long

REF. NO.	DESCRIPTION
269	Red Hose Assembly, ¼ in. x 24 in. Long

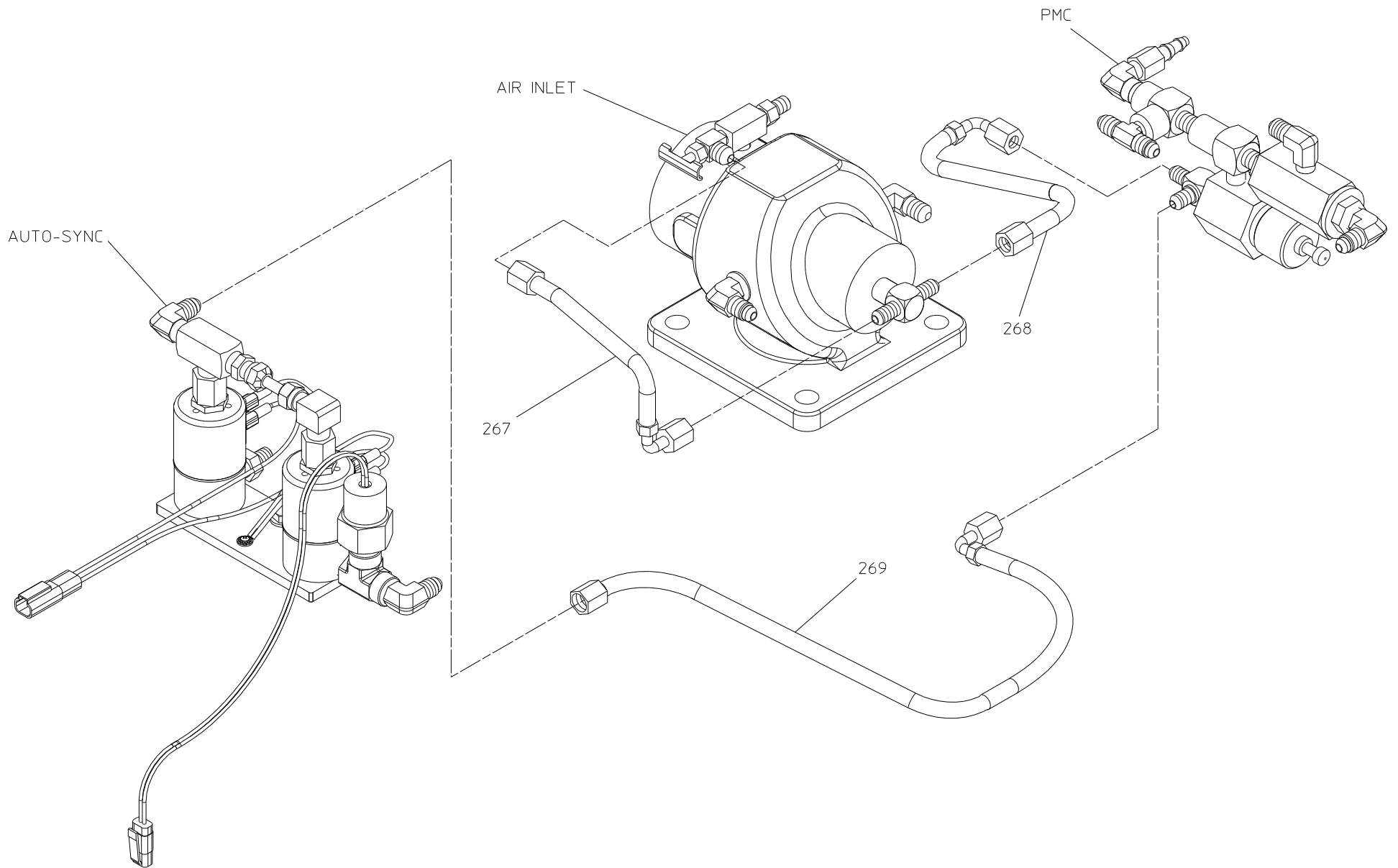
Unless Otherwise Noted:

Fastener Threads:

Apply Loctite 242 (Blue) or Equivalent

Air or Oil Fitting Threads:

Apply Loctite 545 (Red) or Equivalent



AIR CIRCUIT HOSES - RED

Air Circuit Hoses - Blue and Yellow

REF. NO.	DESCRIPTION
270	Blue Hose Assembly, ¼ in. x 10 in. Long

NO.	
271	Yellow Hose Assembly, ¼ in. x 25 in. Long

REF.	DESCRIPTION
------	-------------

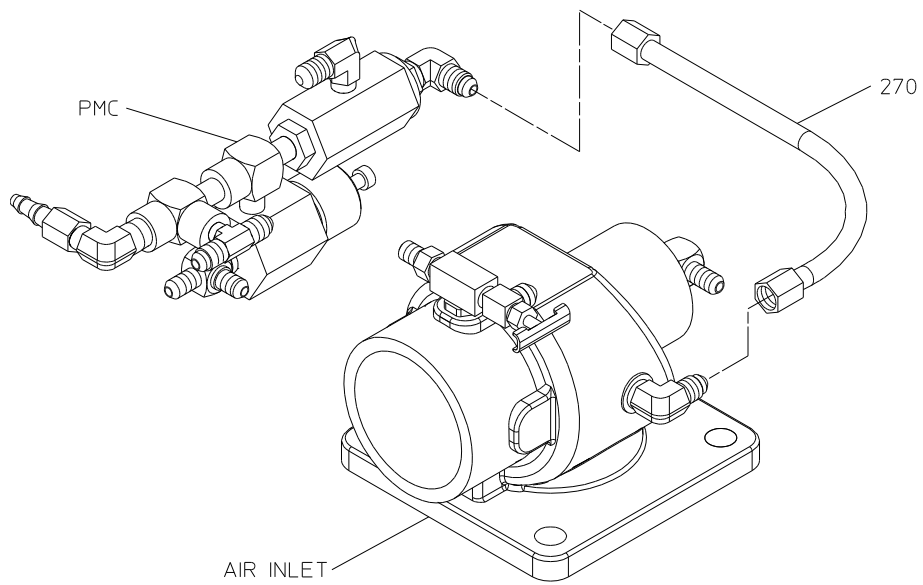
Unless Otherwise Noted:

Fastener Threads:

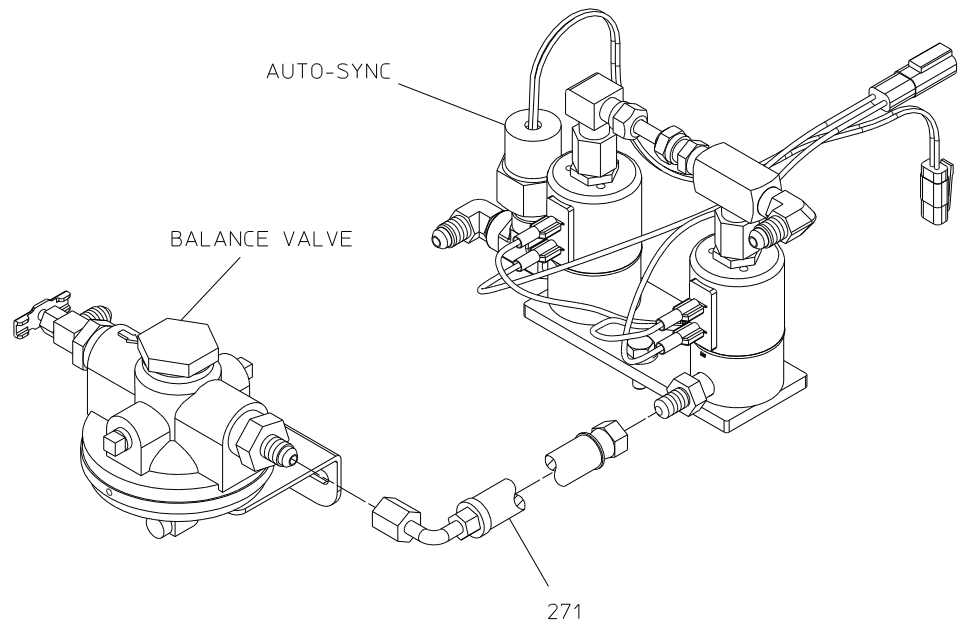
Apply Loctite 242 (Blue) or Equivalent

Air or Oil Fitting Threads:

Apply Loctite 545 (Red) or Equivalent



BLUE



YELLOW

AIR CIRCUIT HOSES

Air Circuit Hoses - Gray

REF. NO.	DESCRIPTION
272	Gray Hose Assembly, 3/8 in. x 5-1/2 in. Long

REF. NO.	DESCRIPTION
----------	-------------

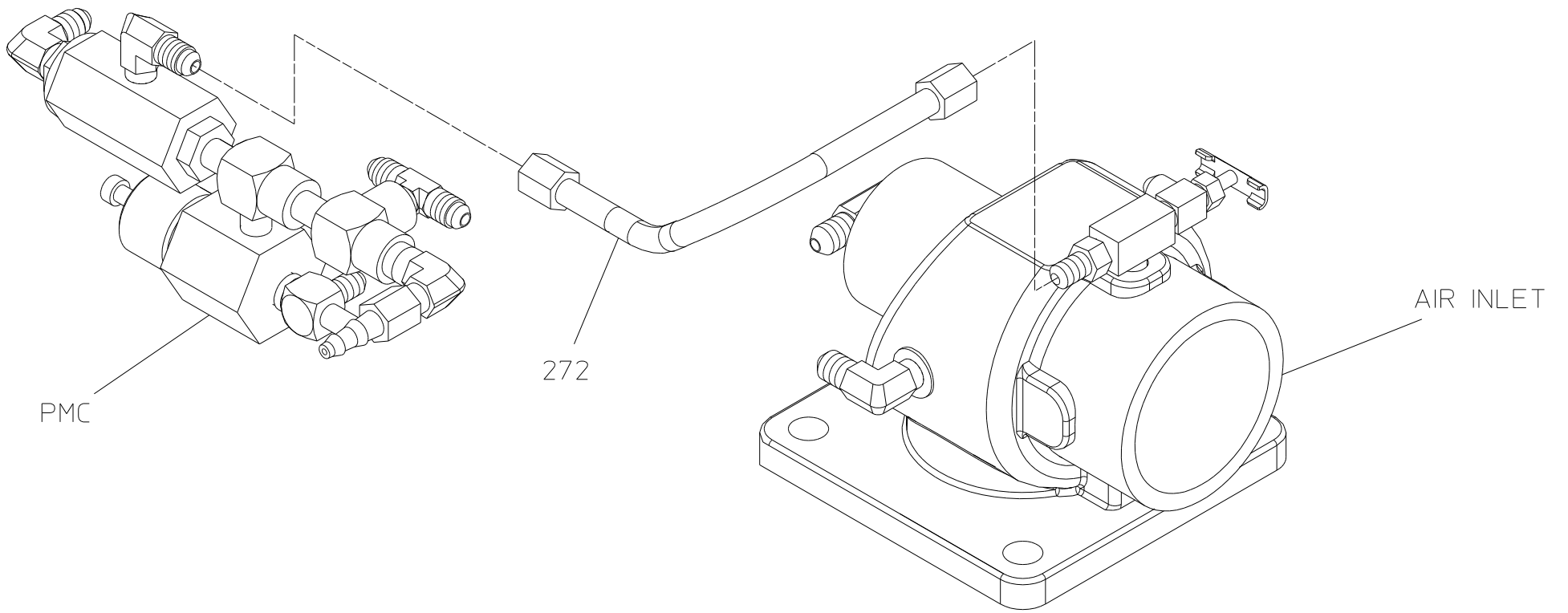
Unless Otherwise Noted:

Fastener Threads:

Apply Loctite 242 (Blue) or Equivalent

Air or Oil Fitting Threads:

Apply Loctite 545 (Red) or Equivalent



AIR CIRCUIT HOSES – GRAY

Air Circuit Hoses - Black

REF. NO.	DESCRIPTION
273	Black Hose Assembly, ¼ in. x 9 in. Long

NO.	DESCRIPTION
274	Black Hose Assembly, ¼ in. x 16 in. Long

REF.	DESCRIPTION
------	-------------

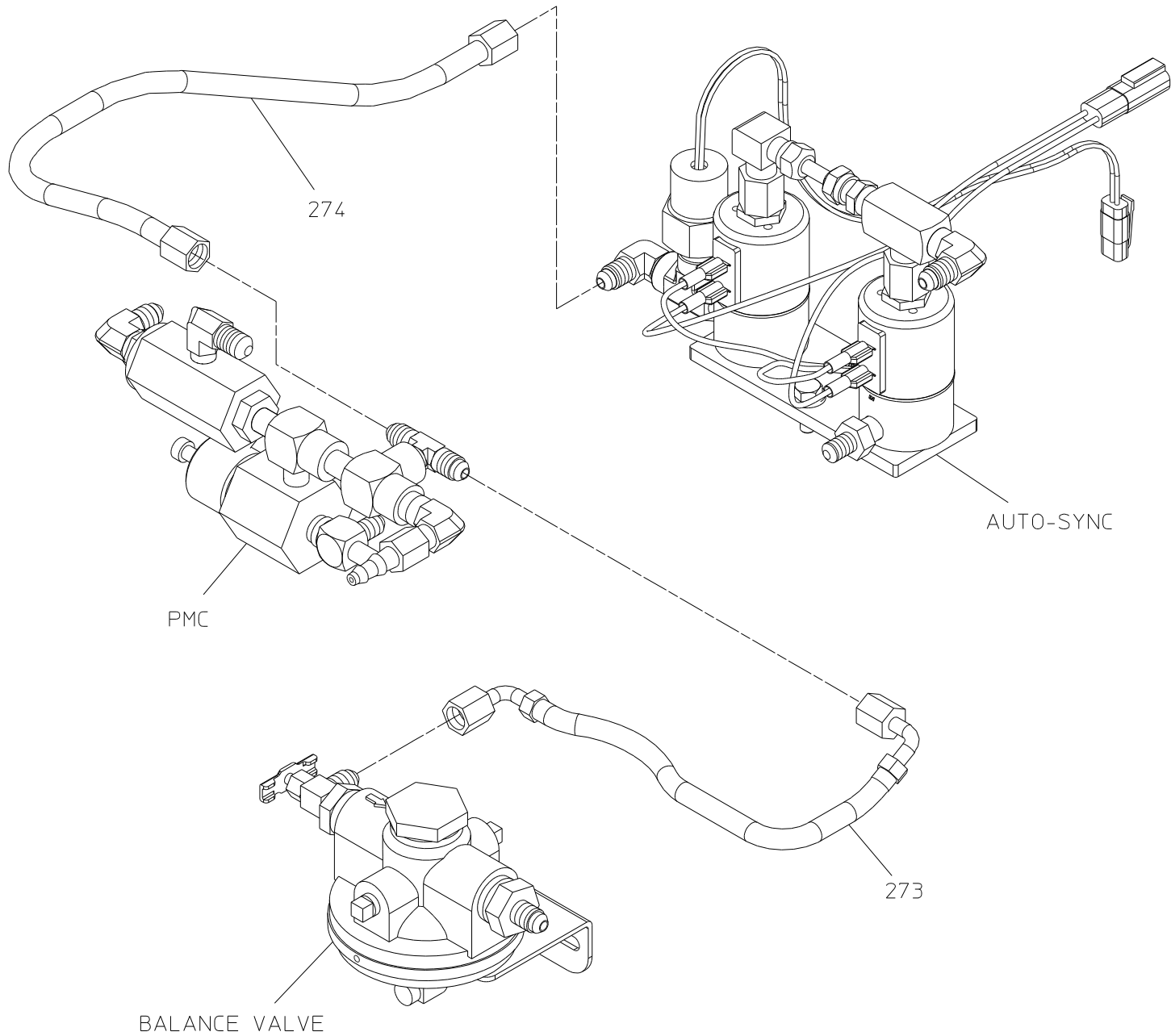
Unless Otherwise Noted:

Fastener Threads:

Apply Loctite 242 (Blue) or Equivalent

Air or Oil Fitting Threads:

Apply Loctite 545 (Red) or Equivalent



AIR CIRCUIT HOSES - BLACK

Sump

REF. NO.	DESCRIPTION
90	Temperature Sender
95	Swivel 90 Degree Elbow, 24 MJIC x 24 FJIC
231	Relay Panel
500	Sump Subassembly (Includes 501-513)
501	Vertical Sump, 10 in.
502	90 Degree Street Elbow, ½ NPT
503	Pop Off Valve, ½ in.

REF. NO.	DESCRIPTION
504	Straight Adapter, 24 MJIC x 1-1/2 MNPT
505	Cap with Chain, 1 in. NPSH
506	Nipple, 1-1/2 in. NPT x 1 in. NPSH
507	Sight Glass, 1-1/2 in.
512	Hex Hd Plug, ½ in. NPT
513	Straight Adapter, ½ MNPT x 8 MJIC

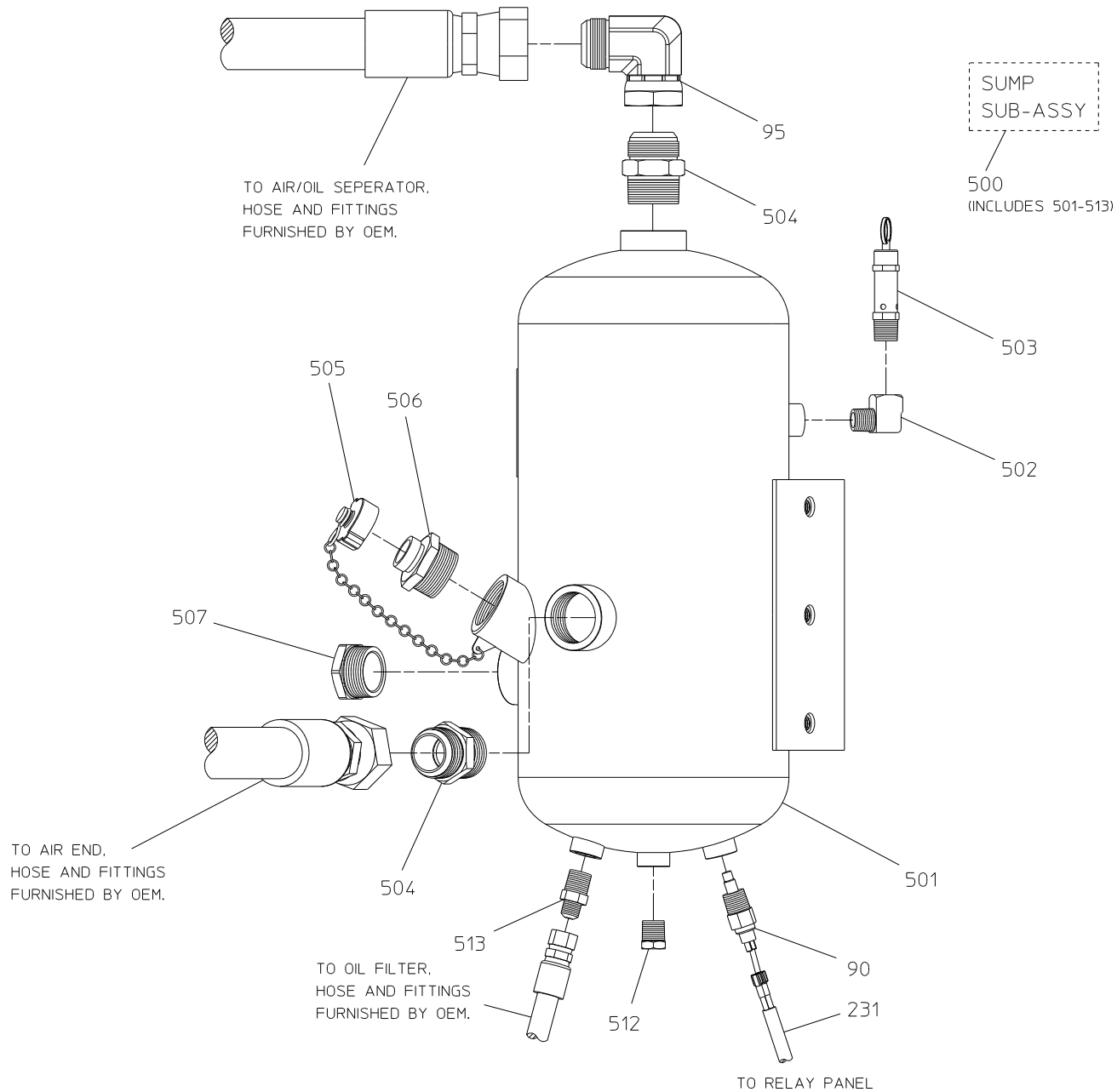
Unless Otherwise Noted:

Fastener Threads:

Apply Loctite 242 (Blue) or Equivalent

Air or Oil Fitting Threads:

Apply Loctite 545 (Red) or Equivalent



SUMP

MOUNTED REMOTELY FROM COMPRESSOR BY OEM

Air / Oil Separator

REF. NO.	DESCRIPTION
51	Black Hose Assembly, 3/8 x 84 in. (Cut to Suit Installation)
600	Separator Filter Subassembly (Includes 600-619)
601	Straight Adapter, 6 FJIC x 4 MJIC
602	Straight Adapter, 24 MJIC x 1-1/4 BSPP
604	Large Separator Bracket
605	Large Scavenger Tube Assembly
606	Restrictor Fitting
607	Large Filter Head
608	Separator Filter
609	90 Degree Street Elbow, 1-1/4 NPT

REF. NO.	DESCRIPTION
610	Close Nipple, 1 in. NPT
611	Minimum Pressure Control Valve, 1-1/4 in.
612	Check Valve, 1 in.
613	Reducing Bushing, 1-1/4 NPT x 1 in. NPT
614	Hex Hd Screw, M10-1.5 x 20mm
615	Flat Washer, 10mm
616	Tee, 3/8 MNPT x 6 MJIC x 6 MJIC
617	Straight Adapter, 6 FJIC x 4 MJIC
618	Copper Washer, 1.928 in. O.D.
619	Headless Pipe Plug, 3/8 in. NPT

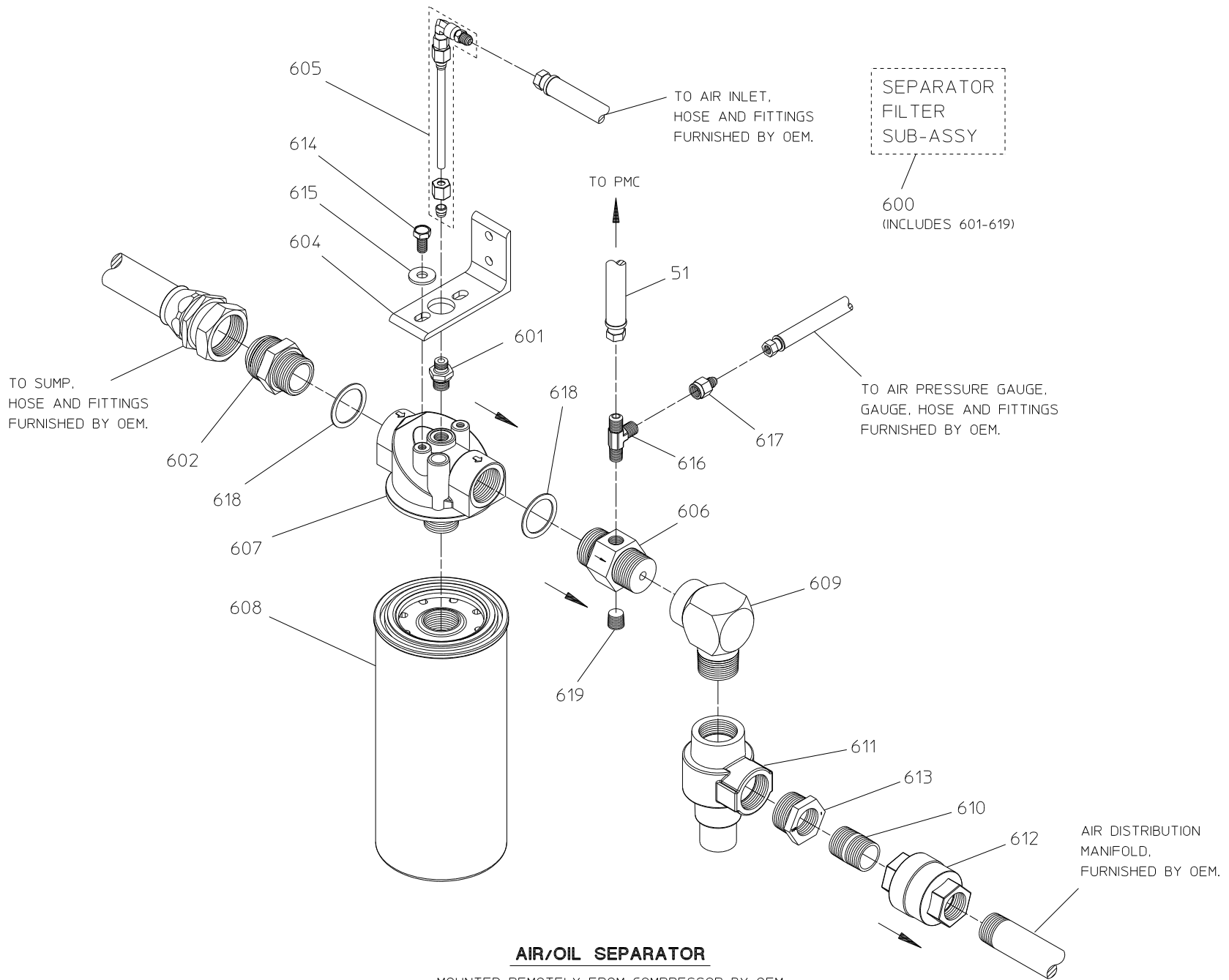
Unless Otherwise Noted:

Fastener Threads:

Apply Loctite 242 (Blue) or Equivalent

Air or Oil Fitting Threads:

Apply Loctite 545 (Red) or Equivalent



Oil Cooler and Filter

REF. NO.	DESCRIPTION
88	Ball Valve, ½ MNPT x ½ FNPT
89	Wye Strainer Assembly, 1 in. (Includes 92 and 98)
92	Strainer Screen
94	Close Pipe Nipple, 1 in. NPT
98	Strainer Gasket
400	Oil Cooler Subassembly (Includes 400-409)
401	Pipe Nipple, ¾ NPT x 4 in.
402	Straight Adapter, 8 MJIC x ¾ MNPT

REF. NO.	DESCRIPTION
403	Straight Adapter, 8 MJIC x ½ MNPT
404	Large Filter Head
405	Oil Filter, WD962
406	Large Cooler (Includes Brackets, Screws and Pipe Plugs)
407	Reducing Bushing, 1-1/2 NPT x ¾ NPT
408	Reducing Bushing, 1-1/2 NPT x ½ NPT
409	90 Degree Street Elbow, ¾ NPT

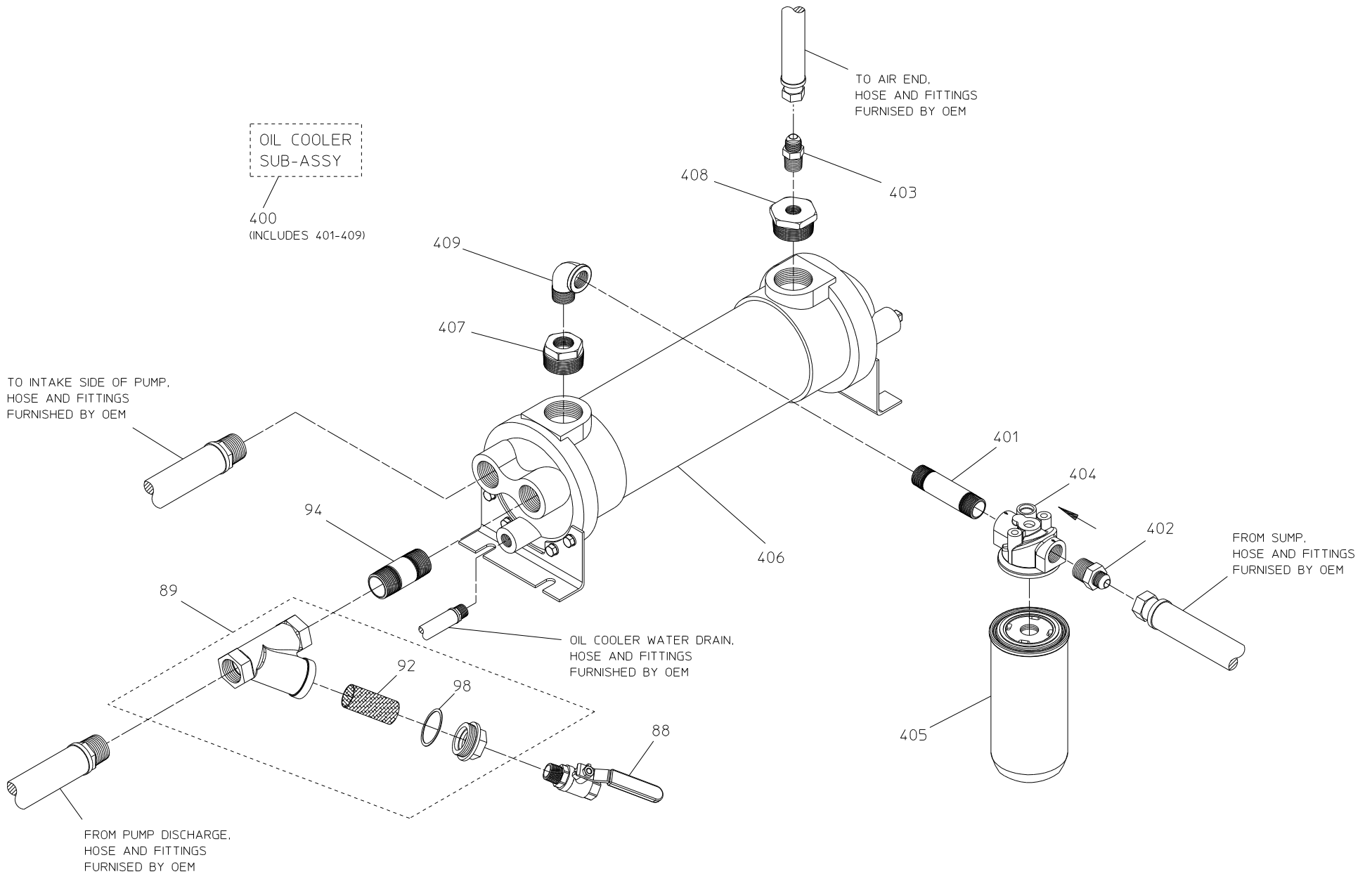
Unless Otherwise Noted:

Fastener Threads:

Apply Loctite 242 (Blue) or Equivalent

Air or Oil Fitting Threads:

Apply Loctite 545 (Red) or Equivalent



OIL COOLER AND FILTER

Air Line Schematic

REF. NO.	DESCRIPTION
51	Black Hose Assembly, 3/8 x 84 in. (Cut to Suit Installation)
246	Check Valve, 1/4 in.
247	3-Way Solenoid Valve

Clutch Air Solenoid	See Pages 6 and 7 or 8 and 9
PMC	See Pages 22 and 23
Sump	See Pages 36 and 37
Air/Oil Separator	See Pages 38 and 39

REF. NO.	DESCRIPTION
----------	-------------

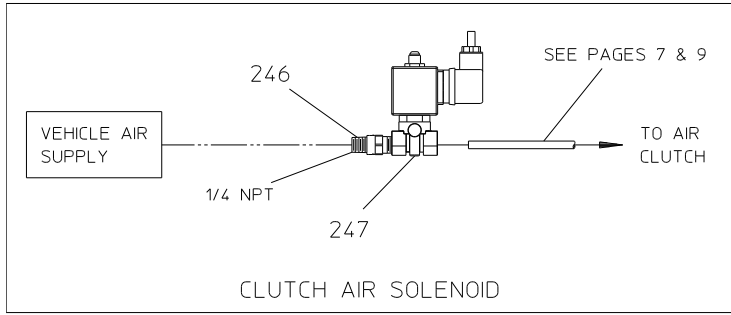
Unless Otherwise Noted:

Fastener Threads:

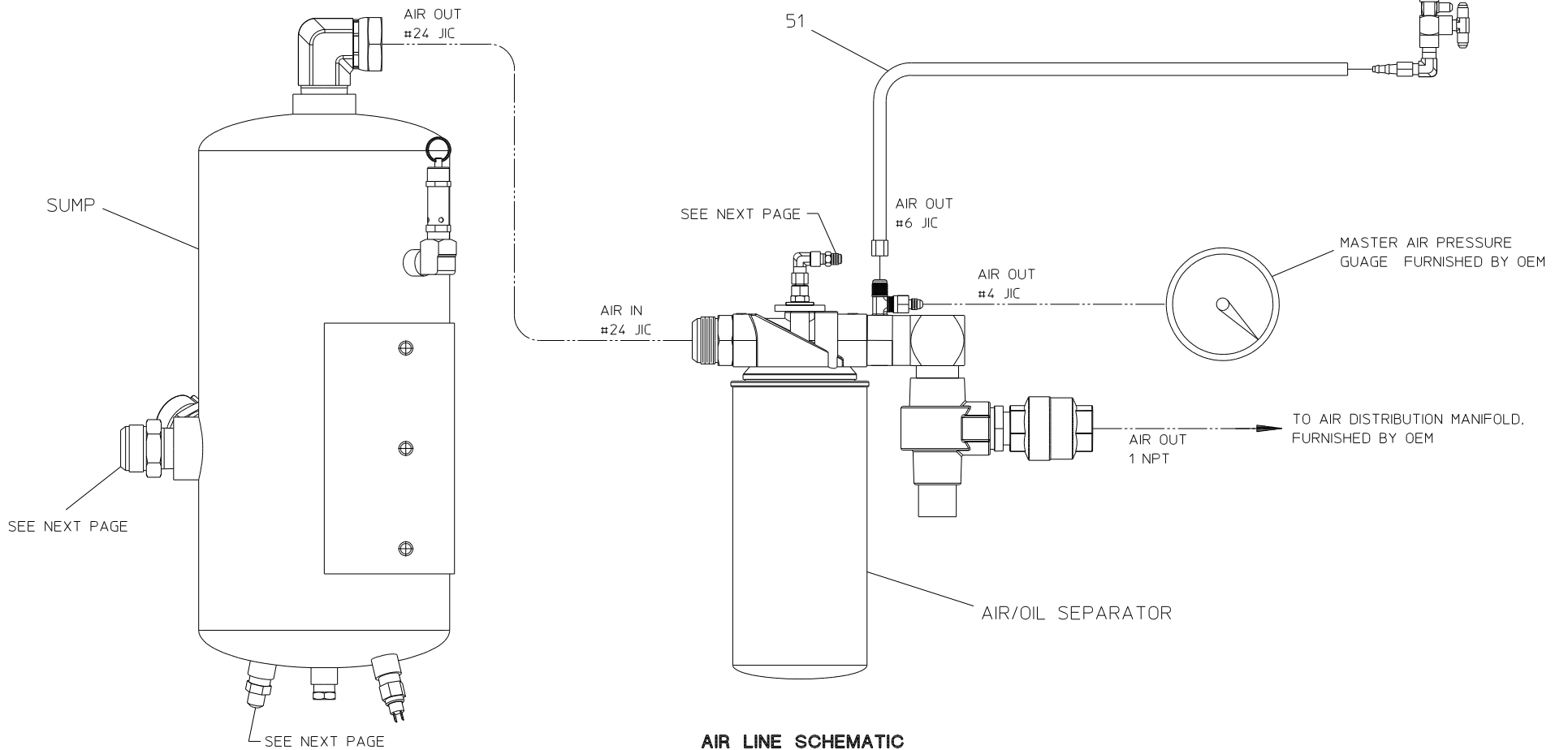
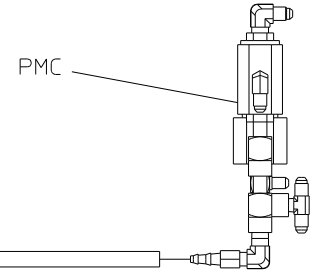
Apply Loctite 242 (Blue) or Equivalent

Air or Oil Fitting Threads:

Apply Loctite 545 (Red) or Equivalent



 DENOTES HOSES AND FITTINGS FURNISHED BY OEM



AIR LINE SCHEMATIC

Hydraulic Oil and Water Line Schematic

REF. NO.	DESCRIPTION
223	Hose Assembly
Air End	See Pages 18 and 19
Air Inlet	See Pages 20 and 21
Sump	See Pages 36 and 37

REF. NO.	DESCRIPTION
Air/Oil Separator	See Pages 38 and 39
Oil Cooler and Filter	See Pages 40 and 41

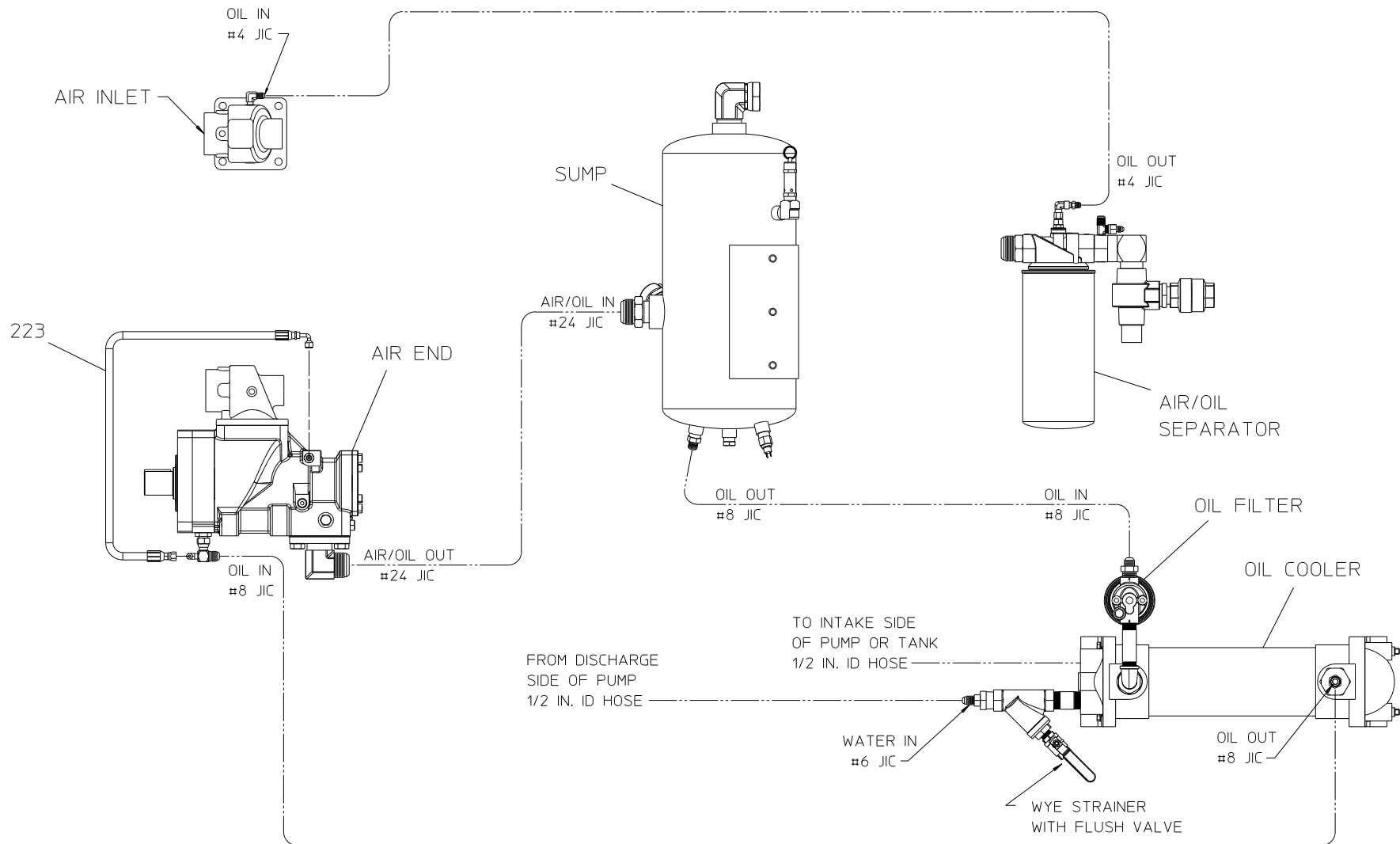
Unless Otherwise Noted:

Fastener Threads:

Apply Loctite 242 (Blue) or Equivalent

Air or Oil Fitting Threads:

Apply Loctite 545 (Red) or Equivalent



 DENOTES HOSES AND FITTINGS FURNISHED BY OEM

HYDRAULIC OIL AND WATER LINE SCHEMATIC

Electrical Relay Panel

REF. NO.	DESCRIPTION
231	Relay Panel
243	SPDT Relay
248	Hex Hd Screw, ¼-20 x ¾ in.

REF. NO.	DESCRIPTION
252	Flat Washer, ¼ in.
255	Nylok Hex Nut, ¼-20
276	Round Spacer

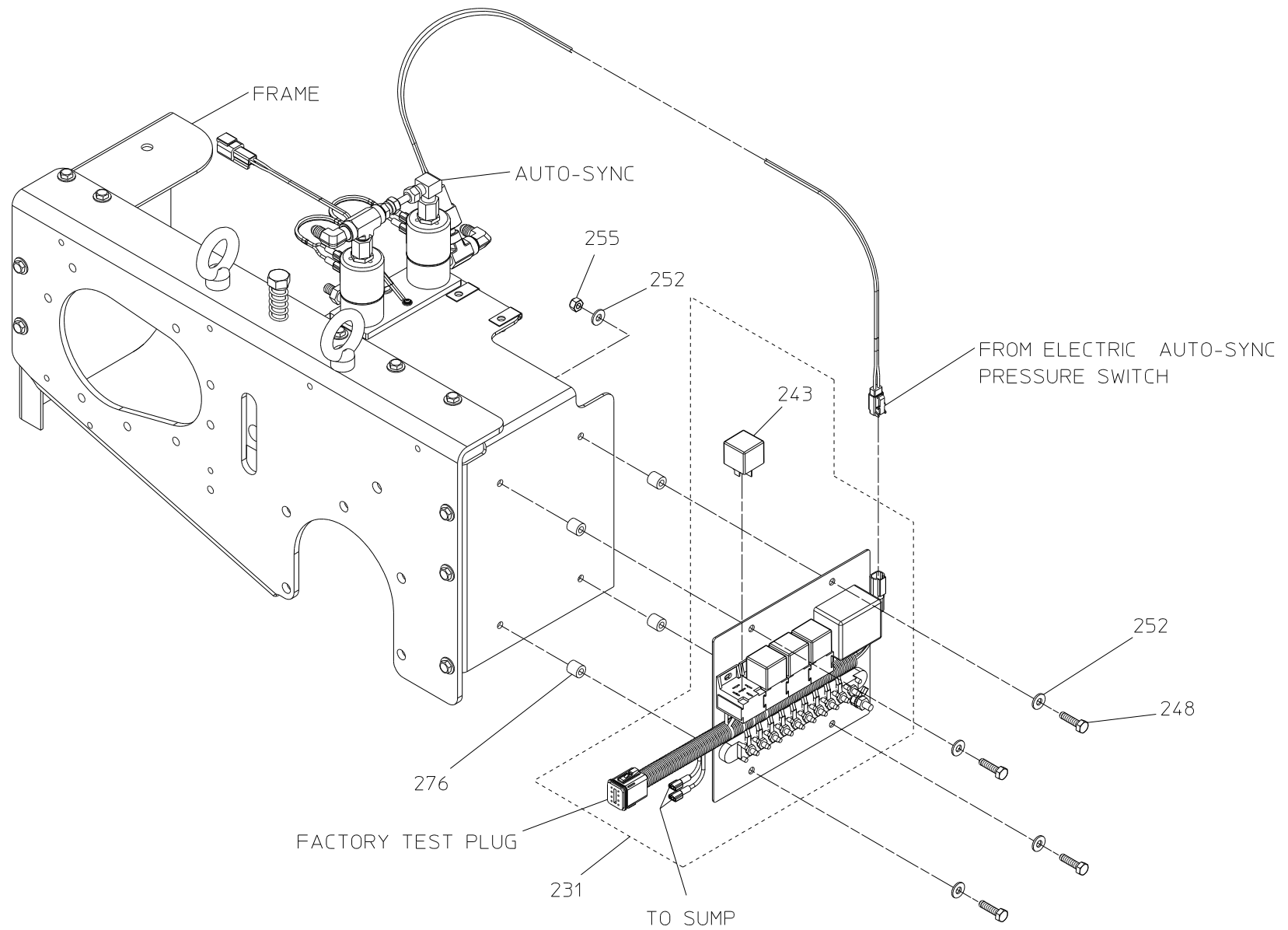
Unless Otherwise Noted:

Fastener Threads:

Apply Loctite 242 (Blue) or Equivalent

Air or Oil Fitting Threads:

Apply Loctite 545 (Red) or Equivalent



ELECTRICAL RELAY PANEL

Wiring Schematic - Furnished by Waterous

REF. NO.	DESCRIPTION
49	Electric Auto-Sync Switch Harness
50	Electric Auto-Sync Plate
90	Temperature Sender
93	Auto-Sync Extension Harness, 15 Feet
227	Electric Auto-Sync Wiring Harness

REF. NO.	DESCRIPTION
231	Relay Panel
239	Solenoid Valve
240	Pressure Switch
243	SPDT Relay

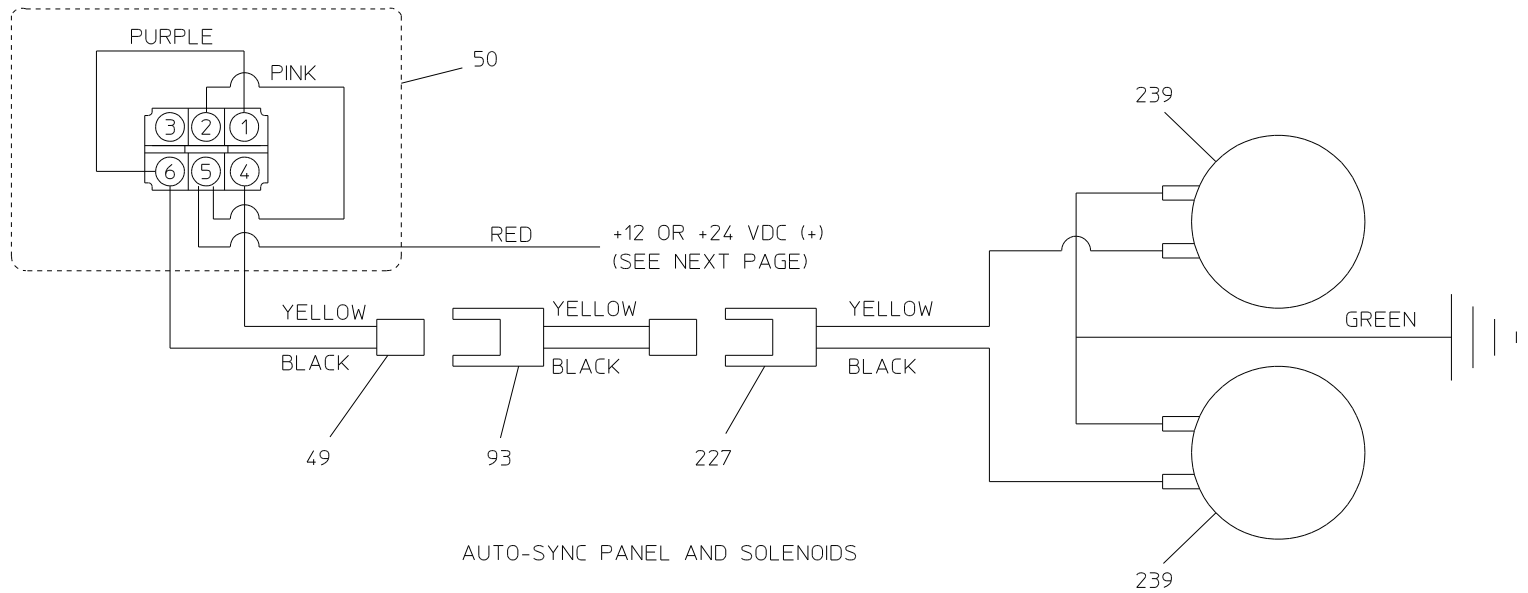
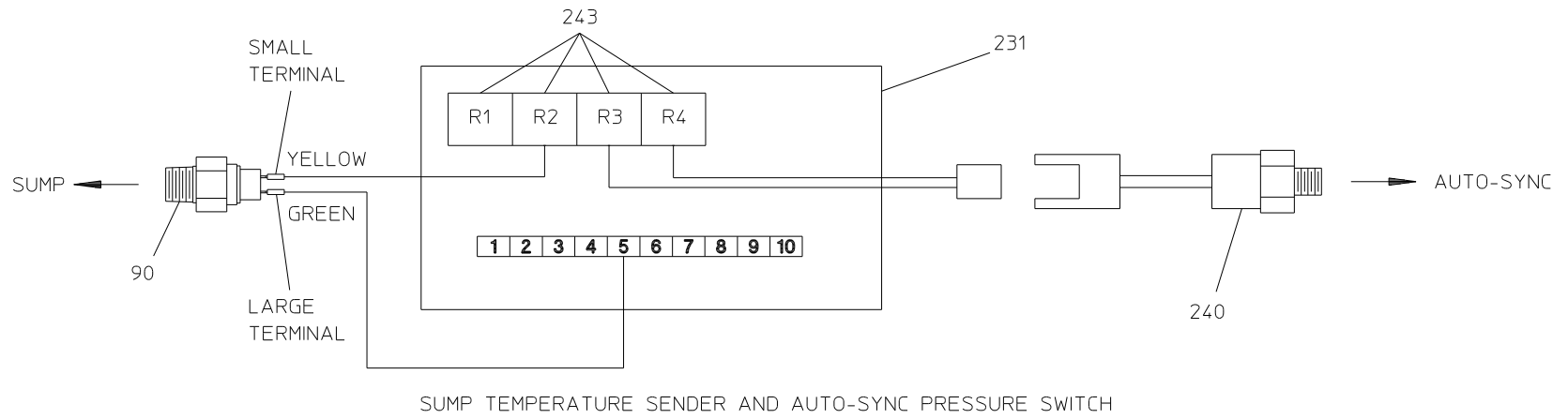
Unless Otherwise Noted:

Fastener Threads:

Apply Loctite 242 (Blue) or Equivalent

Air or Oil Fitting Threads:

Apply Loctite 545 (Red) or Equivalent



WIRING SCHEMATIC - WIRING FURNISHED BY WATEROUS

Wiring Schematic - Furnished by OEM

REF. NO.	DESCRIPTION
49	Electric Auto-Sync Switch Harness
50	Electric Auto-Sync Plate
87	Dual Scale Oil Temperature Gauge

REF. NO.	DESCRIPTION
231	Relay Panel
243	SPDT Relay
247	3-Way Solenoid Valve

Unless Otherwise Noted:

Fastener Threads:

Apply Loctite 242 (Blue) or Equivalent

Air or Oil Fitting Threads:

Apply Loctite 545 (Red) or Equivalent

Panel Components

REF. NO.	DESCRIPTION
49	Electric Auto-Sync Switch Harness
50	Electric Auto-Sync Plate
85	Compressed Air Warning Panel Plate

REF. NO.	DESCRIPTION
86	Hose Length Panel Plate
87	Dual Scale Oil Temperature Gauge
91	Oil Temp Gauge to 24V Conversion Kit

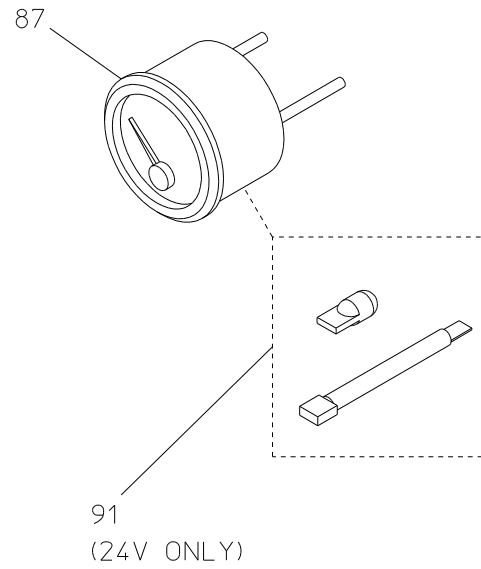
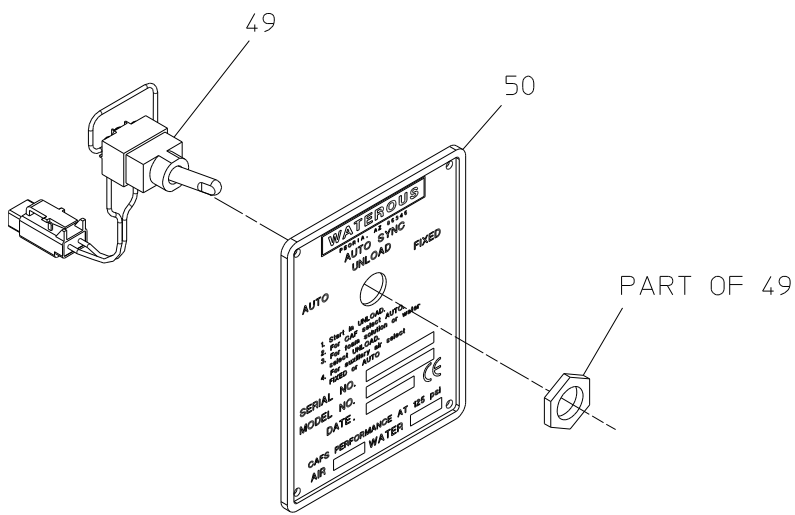
Unless Otherwise Noted:

Fastener Threads:

Apply Loctite 242 (Blue) or Equivalent

Air or Oil Fitting Threads:

Apply Loctite 545 (Red) or Equivalent



86

MINIMUM HOSE LENGTHS WITHOUT STATIC MIXERS FOR CAFS USE	
1"	35 FEET
1 1/2"	100 FEET
1 3/4"	100 FEET

85

WARNING

- (A) Open and close valves slowly
- (B) Do not run with just air/water
- (C) Shut off air when foam tank is empty
- (D) Be prepared for high nozzle reactions-
open nozzle slowly

PANEL COMPONENTS