

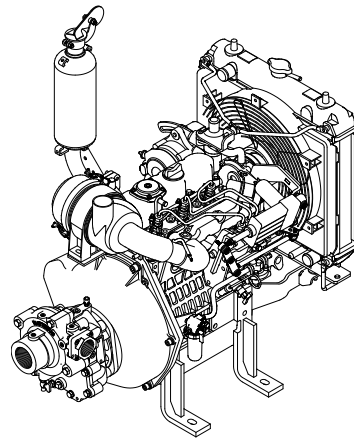


Document Number	Issue Date	Rev. Date
SPL83266	11/08/12	5/31/18
Model E501-C, E511-C		

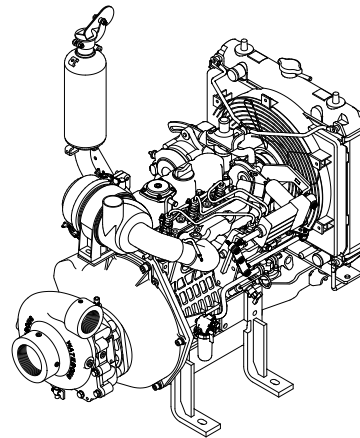
E500 Series Motor Pump Service Parts List

Index:

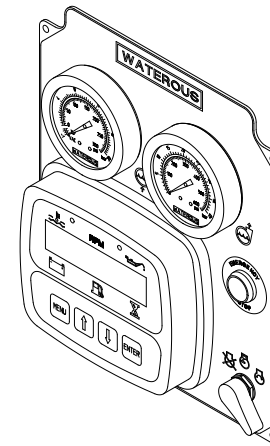
Pump Model <i>(Located on Serial Plate)</i>	See Pages				
	Pump			Engine	Instrument Panel
	E501	E511	Mounting on Engine		
E501-C <i>(Diesel Engine)</i>	2-5	-	10, 11	12, 13	14, 15



MODEL E501-C



MODEL E511-C



INSTRUMENT PANEL

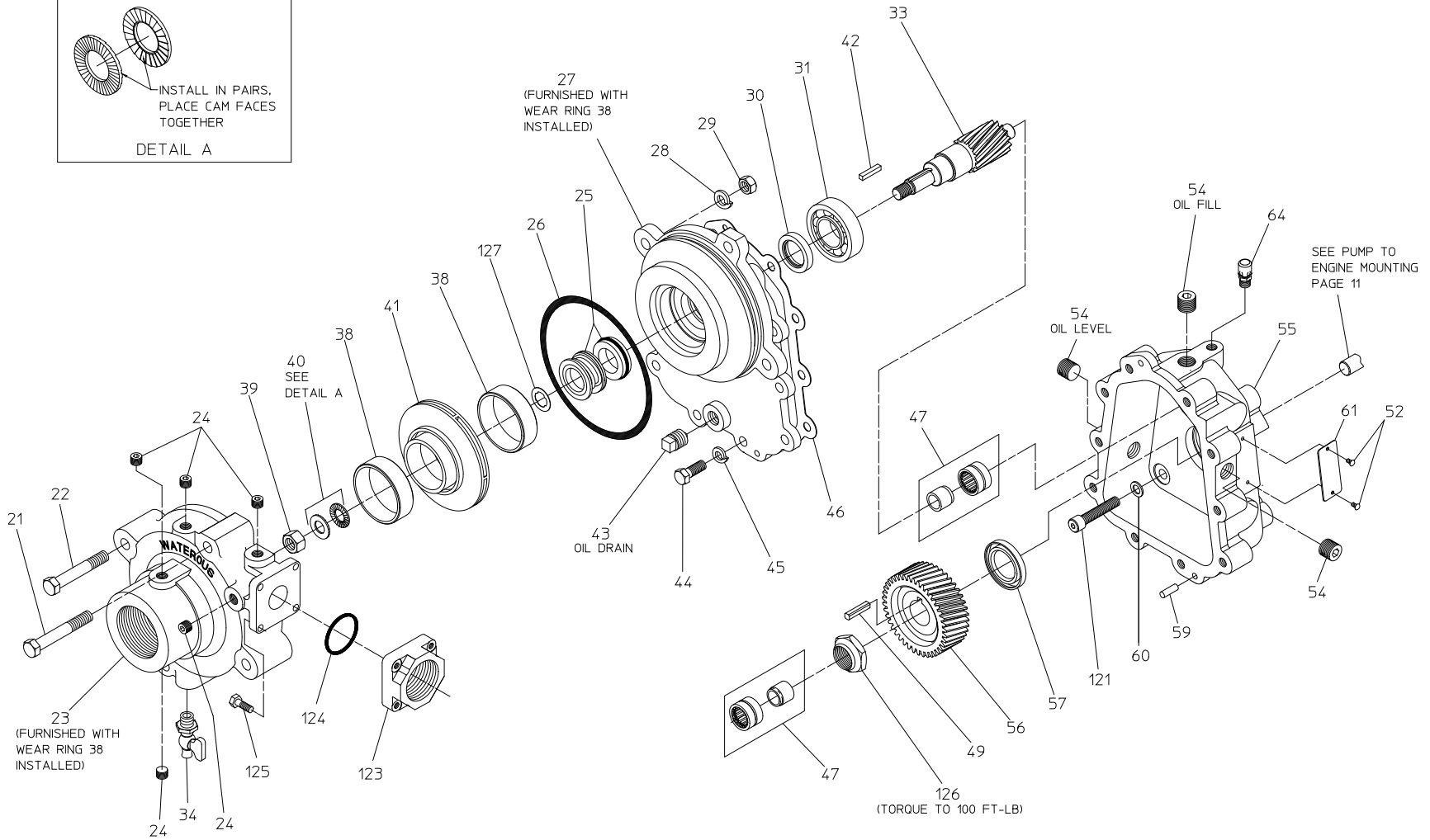
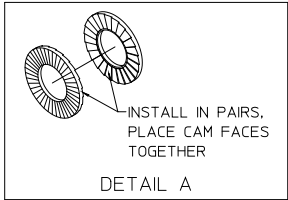
Waterous Company 125 Hardman Avenue South, South St. Paul, Minnesota 55075 USA (651) 450-5000

NOTE: When ordering parts, provide Pump, Transmission or PTO Serial Number.

E501 Pump

REF. NO.	DESCRIPTION	QTY
21	Hex Hd Screw, 7/16-20 x 3 in.	1
22	Hex Hd Screw, 7/16-20 x 2-3/4 in.	3
23	Volute Body Subassembly (Includes 38, Wear Ring)	1
24	Pipe Plug, 1/4 in. NPT	5
25	Mechanical Seal	1
26	O-Ring, 5-3/4 x 6 in.	1
27	Gear Case Cover (Includes 38, Wear Ring)	1
28	Lock Washer, 7/16 in.	4
29	Hex Nut, 7/16-20	4
30	Oil Seal	1
31	Ball Bearing	1
33	Driven Shaft/Gear	1
34	Drain Cock	1
38	Wear Ring	2
39	Hex Nut, 1/2-20	1
40	Washer, Nord-Lock®, 1/2 in.	1
41	Impeller	1
42	Square Key, 3/16 x 1 in., SS	1
43	Magnetic Pipe Plug, 3/8 in., NPT	1
44	Hex Hd Screw, 3/8-16 x 1 in.	10
45	Lock Washer, 3/8 in.	10
46	Gear Case Gasket	1

REF. NO.	DESCRIPTION	QTY
47	Needle/Thrust Bearing	2
49	Chamfered Square Key, 1/4 x 1-1/8 in.	1
52	Drive Screw, #6 x 1/4 in.	2
54	Pipe Plug, 3/8 in. NPT	3
55	Gear Case	1
56	Drive Gear	1
57	Oil Seal	1
59	Dowel Pin, 5/16 x 3/4 in. SS	2
60	Flat Washer, 3/8 in. Copper	4
61	Serial Plate	1
64	Breather	1
121	Socket Hd Screw, 3/8-16 x 1-3/4	4
123	1-1/2 in. NPT (F) Discharge Adapter	1
124	O-Ring, 2-1/8 x 1-15/16 in.	1
125	Hex Hd Screw, 1/4-20 x 3/4 in.	4
126	Hex Nut - Thin Nylok, 1-14	1
127	Impeller Gasket	1



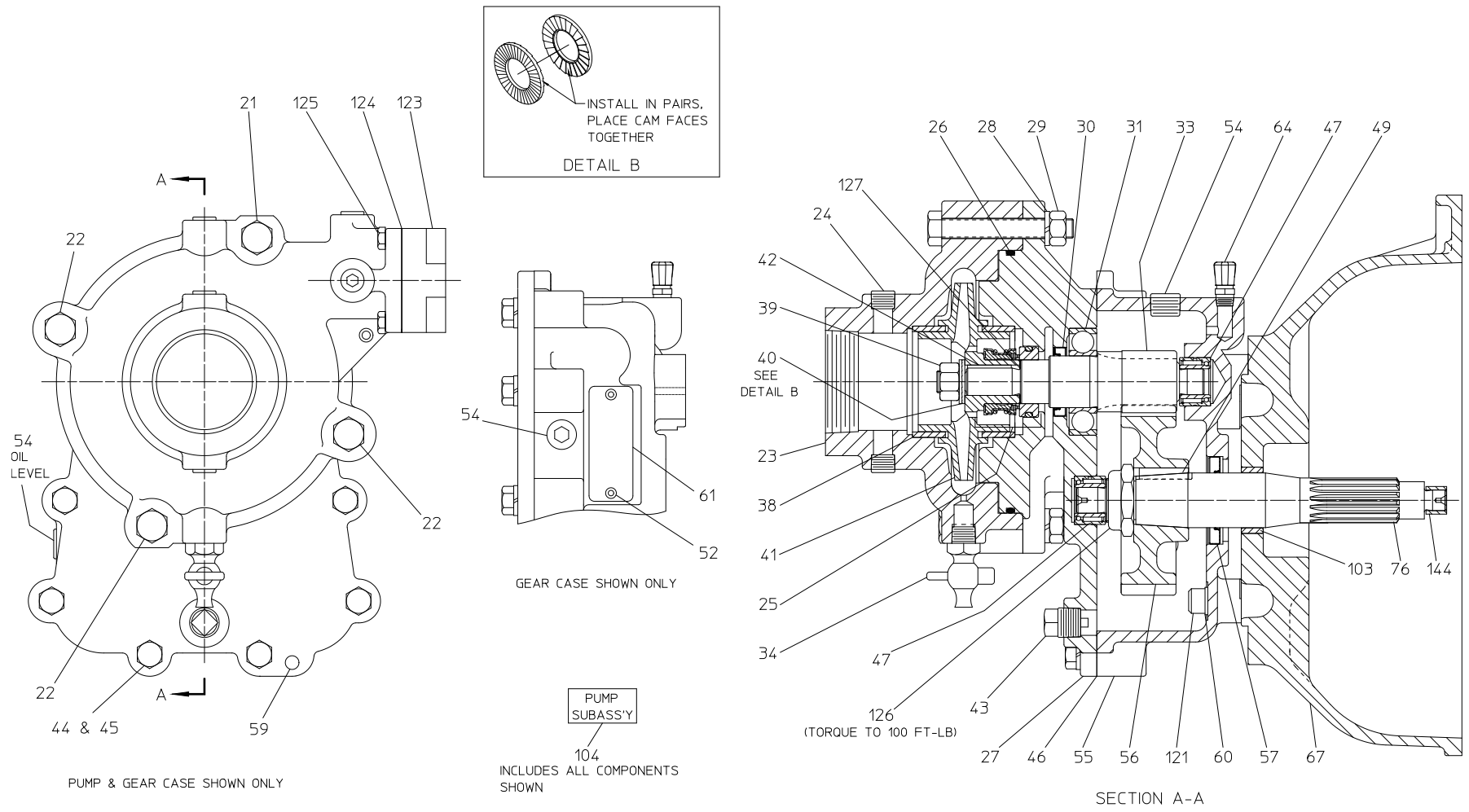
E501-C PUMP

SEE PAGE 5 FOR SECTIONAL VIEW

E501 Pump Sectional View

REF. NO.	DESCRIPTION	QTY
21	Hex Hd Screw, 7/16-20 x 3 in.	1
22	Hex Hd Screw, 7/16-20 x 2-3/4 in.	3
23	Volute Body Subassembly (Includes 38, Wear Ring)	1
24	Pipe Plug, 1/4 in. NPT	5
25	Mechanical Seal	1
26	O-Ring, 5-3/4 x 6 in.	1
27	Gear Case Cover (Includes 38, Wear Ring)	1
28	Lock Washer, 7/16 in.	4
29	Hex Nut, 7/16-20	4
30	Oil Seal	1
31	Ball Bearing	1
33	Driven Shaft/Gear	1
34	Drain Cock	1
38	Wear Ring	2
39	Hex Nut, 1/2-20	1
40	Nord-Lock® Washer, 1/2 in.	1
41	Impeller	1
42	Square Key, 3/16 x 1 in., SS	1
43	Magnetic Pipe Plug, 3/8 in., NPT	1
44	Hex Hd Screw, 3/8-16 x 1 in.	10
45	Lock Washer, 3/8 in.	10
46	Gear Case Gasket	1

REF. NO.	DESCRIPTION	QTY
47	Needle/Thrust Bearing	2
49	Chamfered Square Key, 1/4 x 1-1/8 in.	1
52	Drive Screw, #6 x 1/4 in.	2
54	Pipe Plug, 3/8 in. NPT	3
55	Gear Case	1
56	Drive Gear	1
57	Oil Seal	1
59	Dowel Pin, 5/16 x 3/4 in. SS	2
60	Flat Washer, 3/8 in. Copper	4
61	Serial Plate	1
64	Breather	1
67	Engine Adapter	1
76	Drive Shaft	1
103	Engine Adapter Bushing	1
104	Pump Sub-Assy (For Repairs Only)	1
121	Socket Hd Screw, 3/8-16 x 1-3/4 in.	4
123	Discharge Adapter, 1-1/2 in. NPT (F)	1
124	O-ring, 2-1/8 x 1-15/16 in.	1
125	Hex Hd Screw, 1/4-20 x 3/4 in.	4
126	Hex Nut - Thin Nylok, 1-14	1
127	Impeller Gasket	1
144	Sleeve Bearing, 12mm x 16mm x 12mm	1

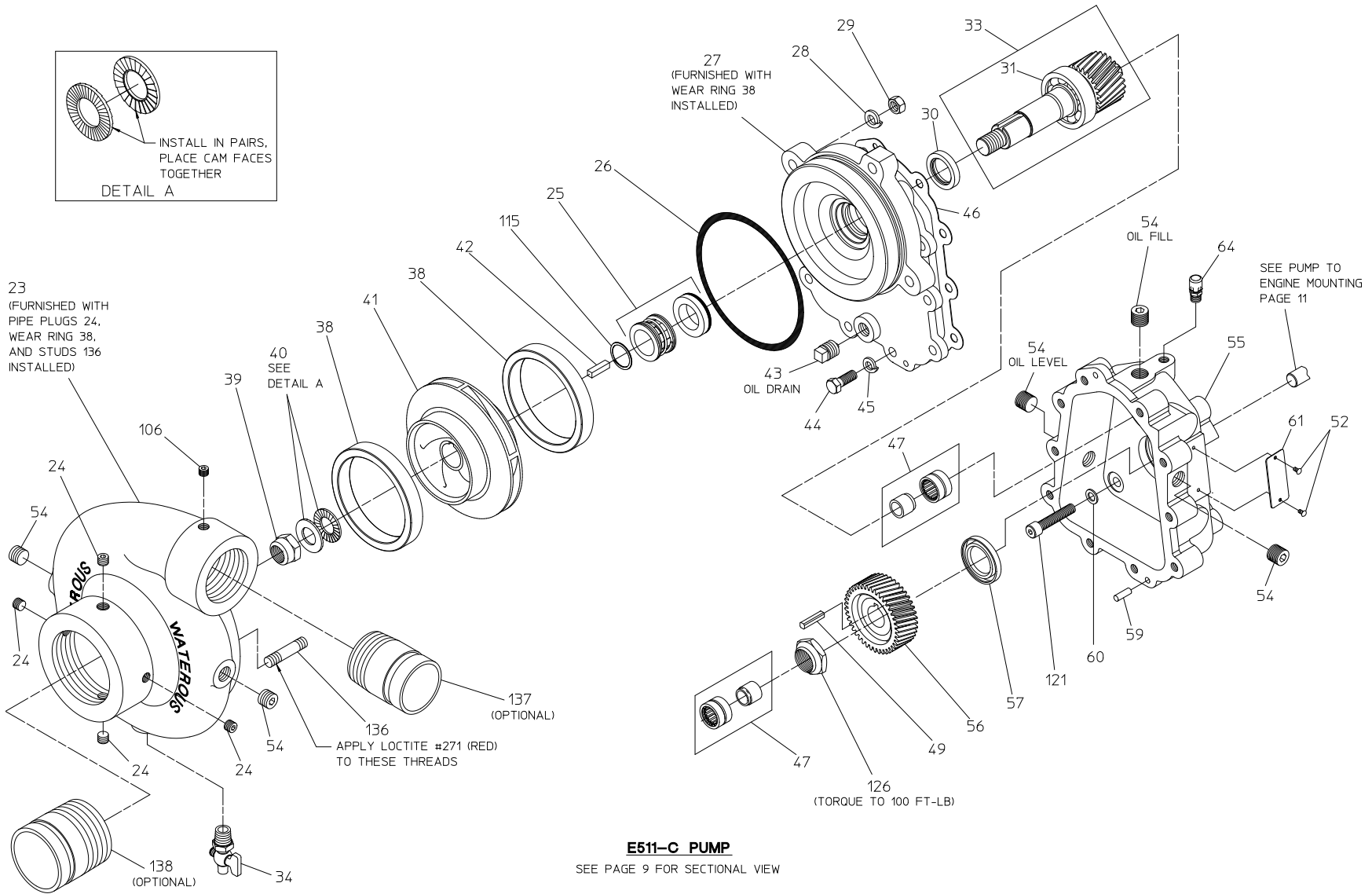
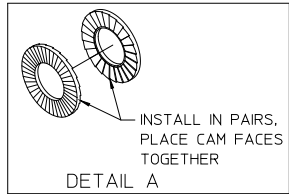


E501-C PUMP SECTIONAL VIEW
 ALL PARTS SHOWN ARE AVAILABLE AS A
 SUB-ASSEMBLY REF NO. 104 (FOR SERVICE ONLY)

E511 Pump

REF. NO.	DESCRIPTION	QTY
23	Volute Body Subassembly (Includes Pipe Plug 24, Wear Ring 38 and Stud 136)	1
24	Pipe Plug, 1/4 in. NPT	4
25	Mechanical Seal	1
26	O-Ring, 5-3/4 x 6	1
27	Gear Case Cover	1
28	Lock Washer, 7/16 in.	4
29	Hex Nut, 7/16-20	4
30	Oil Seal	1
31	Ball Bearing	1
33	Impeller Shaft Assembly (Includes Bearing)	1
34	Drain Cock	1
38	Wear Ring	2
39	Hex Nut, Thin Nylok, 3/4-16	1
40	Nord-Lock® Washer, 3/4 in.	1
41	Impeller	1
42	Square Key, 1/4 x 1 in., SS	1
43	Magnetic Pipe Plug, 3/8 in., NPT	1
44	Hex Hd Screw, 3/8-16 x 1 in.	10
45	Lock Washer, 3/8 in.	10
46	Gear Case Gasket	1
47	Needle Bearing	2

REF. NO.	DESCRIPTION	QTY
49	Chamfered Square Key, 1/4 x 1-1/8 in.	1
52	Drive Screw, #6 x 1/4 in.	2
54	Pipe Plug, 3/8 in. NPT	5 or 6
55	Gear Case	1
56	Drive Gear	1
57	Oil Seal	1
59	Dowel Pin, 5/16 x 3/4 in., SS	2
60	Flat Washer, 3/8 in., Copper	4
61	Serial Plate	1
64	Breather	1
106	Headless Pipe Plug, 1/8 NPT	1
115	Retaining Ring	1
121	Socket Hd Screw, 3/8-16 x 1-3/4	4
126	Hex Nut - Thin Nylok, 1-14	1
136	Stud, 7/16-14 x 7-16-20 x 2 in.	4
137	Adapter, 2 in. NPT x 2 in. Victaulic (Optional)	0 or 1
138	Adapter, 3 in. NPT x 3 in. Victaulic (Optional)	0 or 1



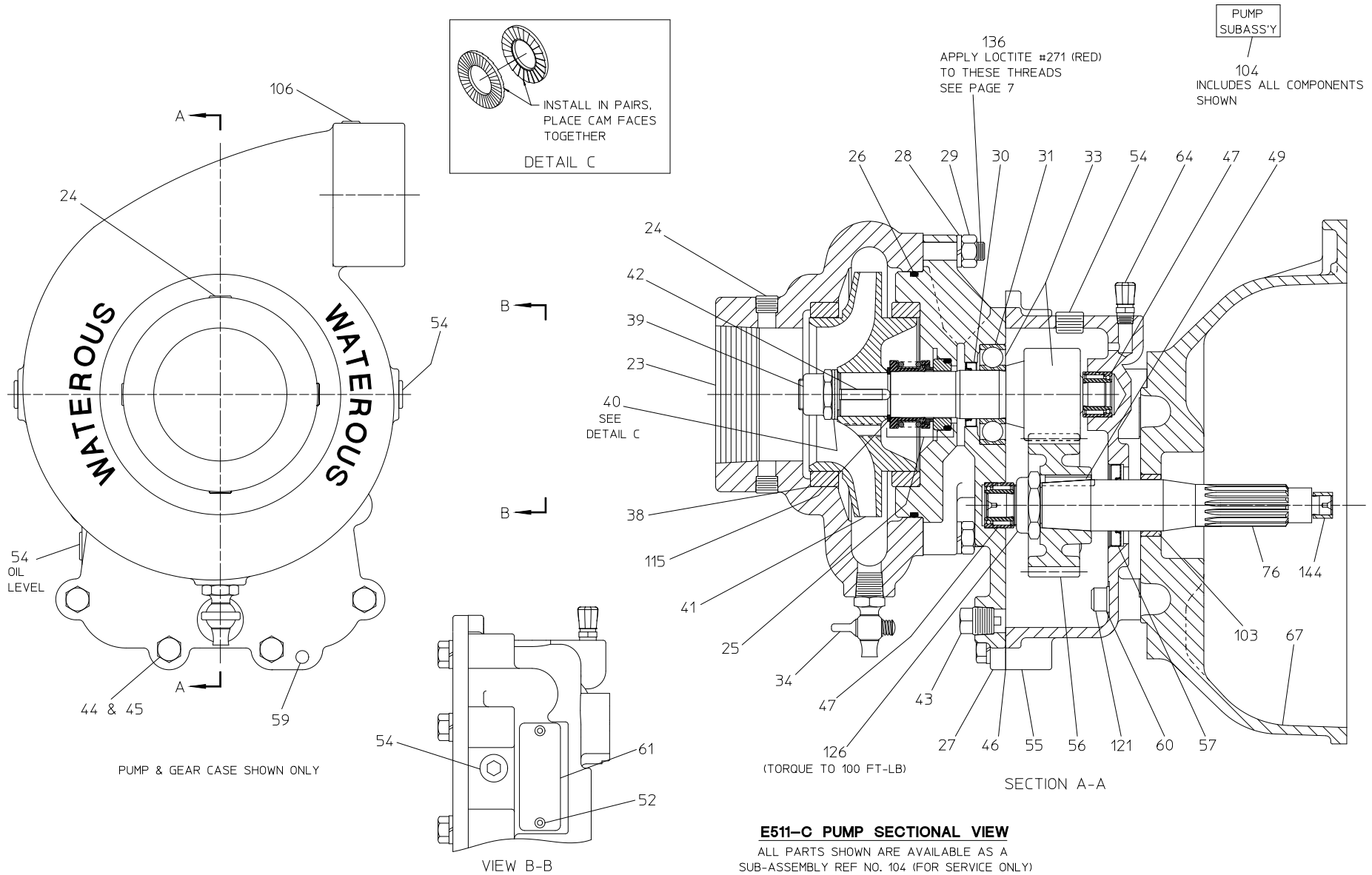
E511-C PUMP

SEE PAGE 9 FOR SECTIONAL VIEW

E511 Pump Sectional View

REF. NO.	DESCRIPTION	QTY
23	Volute Body Subassembly (Includes Pipe Plug 24, Wear Ring 38 and Stud 136)	1
24	Pipe Plug, 1/4 in. NPT	4
25	Mechanical Seal	1
26	O-Ring, 5-3/4 x 6	1
27	Gear Case Cover	1
28	Lock Washer, 7/16 in.	4
29	Hex Nut, 7/16-20	4
30	Oil Seal	1
31	Ball Bearing	1
33	Impeller Shaft Assembly (Includes Bearing)	1
34	Drain Cock	1
38	Wear Ring	2
39	Hex Nut, Thin Nylok, 3/4-16	1
40	Nord-Lock® Washer, 3/4 in.	1
41	Impeller	1
42	Square Key, 1/4 x 1 in., SS	1
43	Magnetic Pipe Plug, 3/8 in., NPT	1
44	Hex Hd Screw, 3/8-16 x 1 in.	10
45	Lock Washer, 3/8 in.	10
46	Gear Case Gasket	1
47	Needle Bearing	2

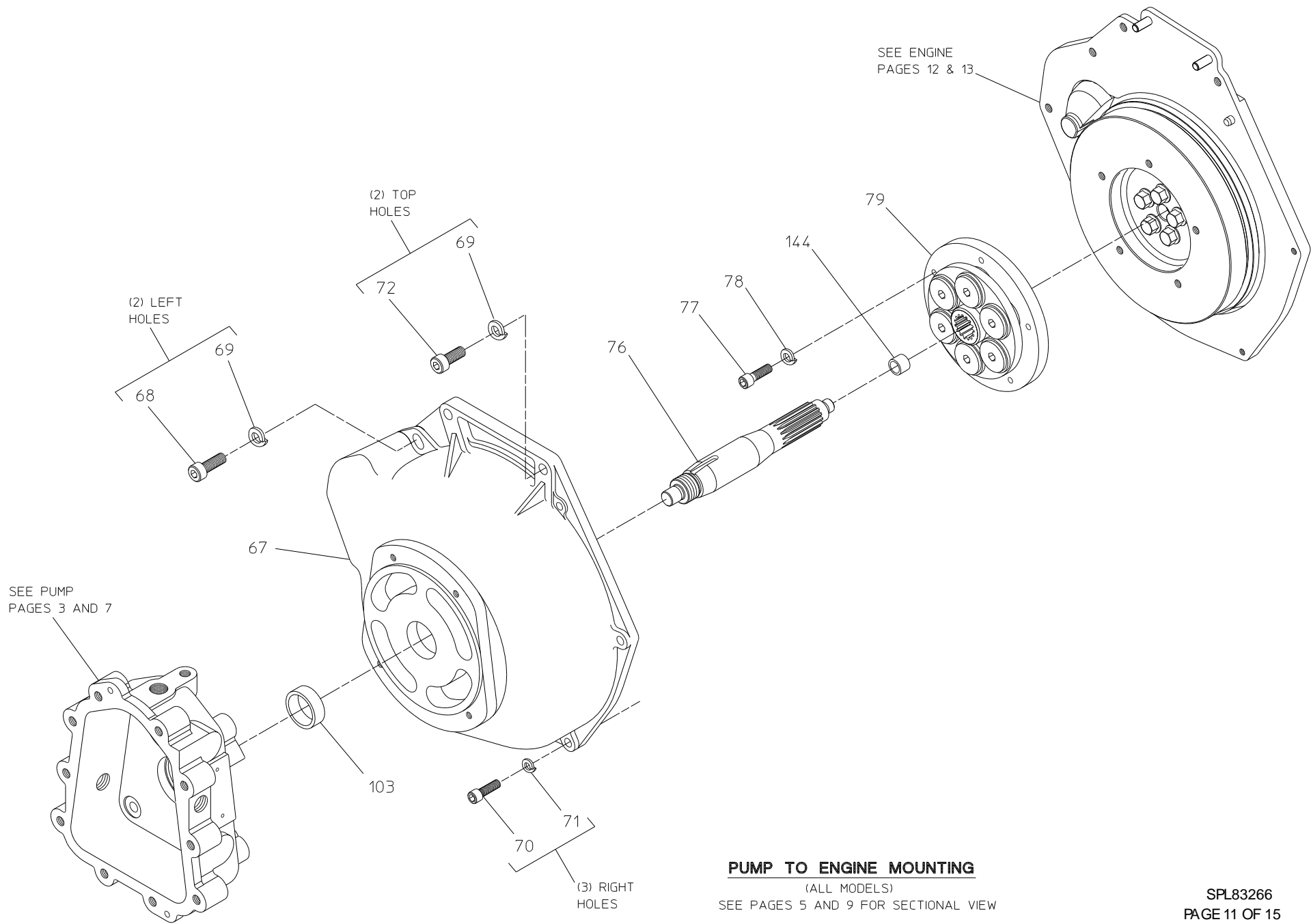
REF. NO.	DESCRIPTION	QTY
49	Chamfered Square Key, 1/4 x 1-1/8 in.	1
52	Drive Screw, #6 x 1/4 in.	2
54	Pipe Plug, 3/8 in. NPT	5 or 6
55	Gear Case	1
56	Drive Gear	1
57	Oil Seal	1
59	Dowel Pin, 5/16 x 3/4 in., SS	2
60	Flat Washer, 3/8 in., Copper	4
61	Serial Plate	1
64	Breather	1
67	Engine Adapter	1
76	Drive Shaft	1
103	Engine Adapter Bushing	1
104	Pump Sub-Assy (For Repairs Only)	0
106	Headless Pipe Plug, 1/8 NPT	1
115	Retaining Ring	1
121	Socket Hd Screw, 3/8-16 x 1-3/4	4
126	Hex Nut - Thin Nylok, 1-14	1
136	Stud, 7/16-14 x 7/16-20 x 2 in.	4
144	Sleeve Bearing, 12mm x 16mm x 12mm	1



Pump to Engine Mounting (All Models)

REF. NO.	DESCRIPTION	QTY
67	Engine Adapter	1
68	Soc Hd Screw, M10 - 1.25 x 30mm	2
69	Lock Washer, 10mm	4
70	Soc Hd Screw, 5/16-18 x 1-1/4 in.	3
71	Lock Washer, 5/16 in.	3
72	Soc Hd Screw, M10-1.25 x 25mm	2

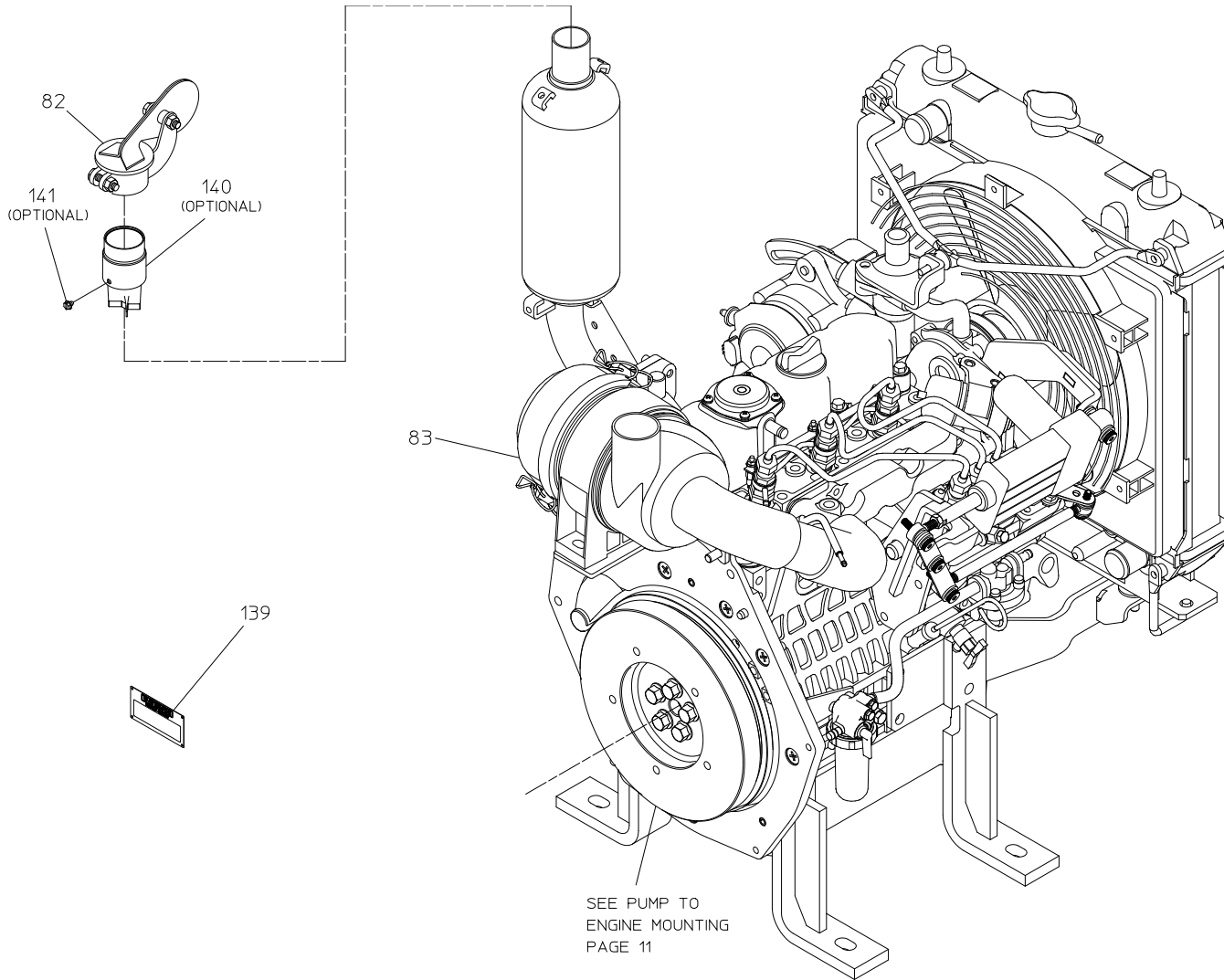
REF. NO.	DESCRIPTION	QTY
76	Drive Shaft	1
77	Soc Hd Screw, M8 - 1.25 x 25mm	5
78	Lock Washer, 8mm	5
79	Coupling	1
103	Engine Adapter Bushing	1
144	Sleeve Bearing, 12mm x 16mm x 12mm	1



Diesel Engine, Models E501-C & E511-C

REF. NO.	DESCRIPTION	QTY
82	Rain Cap	1
83	Diesel Engine, Kubota	1

REF. NO.	DESCRIPTION	QTY
139	Panel Serial Plate (Optional)	1
140	Spark Arrestor (Optional)	1
141	Self Tapping Screw, #8 x 1/2 in.	1

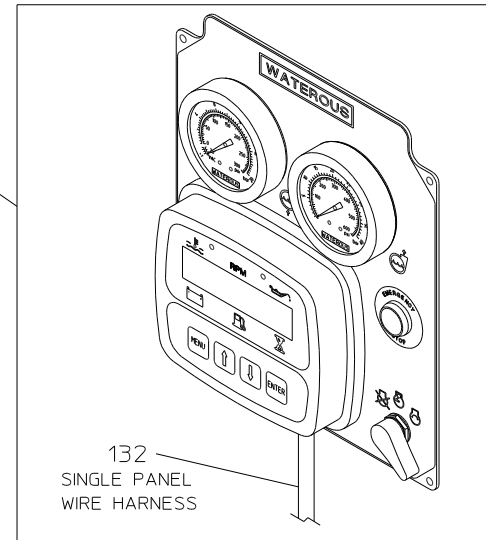
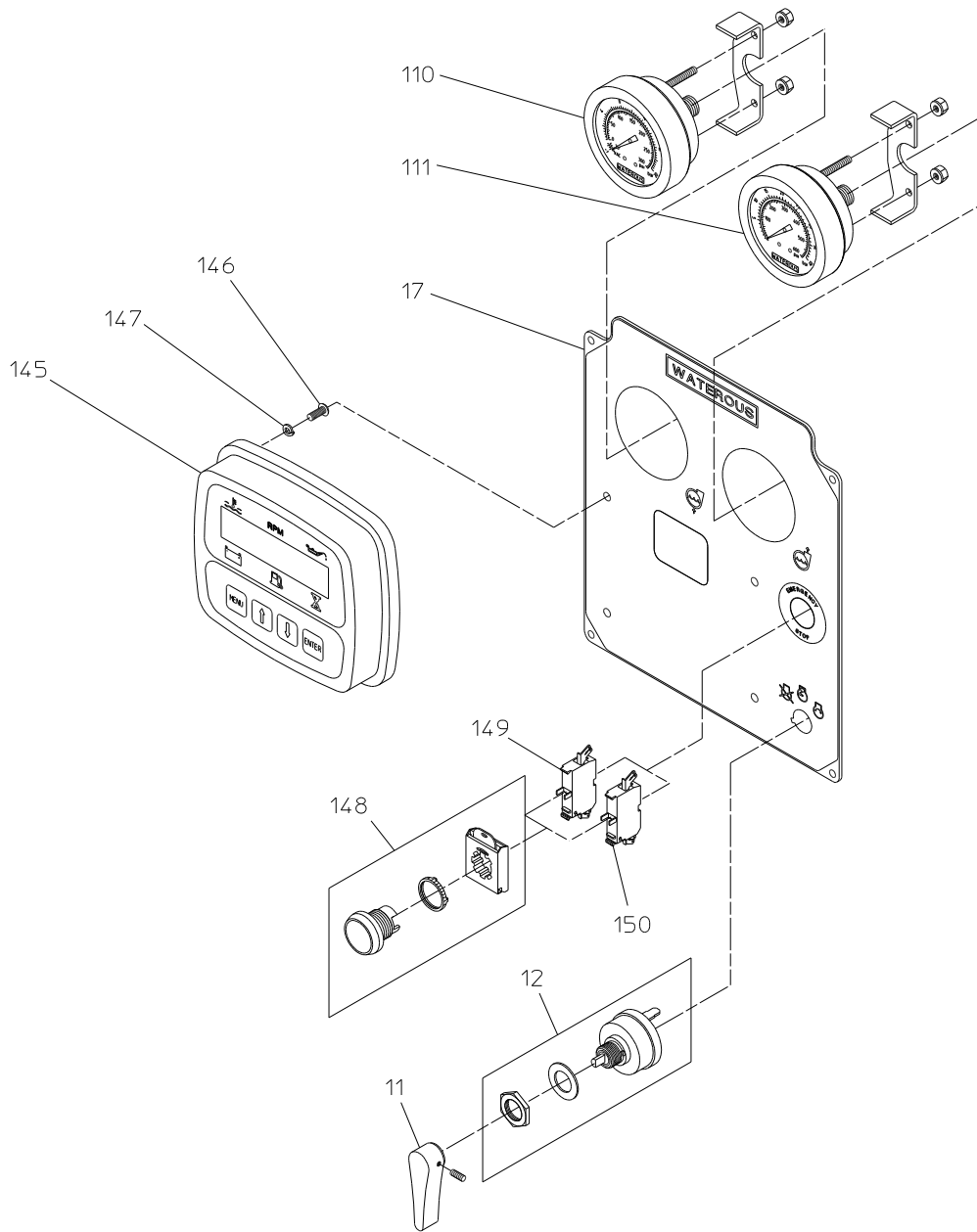


DIESEL ENGINE
(MODELS E501-C AND E511-C)

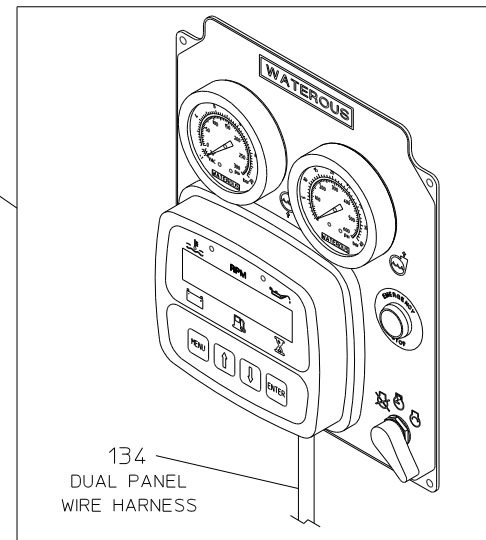
Instrument Panel for Single or Dual Options

REF. NO.	DESCRIPTION	QTY
11	Switch Knob	1
12	Ignition Switch	1
17	Panel Plate	1
101	Single Panel Subassembly	1
105	Dual Panel Subassembly	-
110	Intake Gauge	1
111	Discharge Gauge	1
132	Single Panel Wire Harness	1

REF. NO.	DESCRIPTION	QTY
134	Dual Panel Wire Harness	-
145	Engine Control Module	1
146	Pan Hd Screw, #10-24 x 1/2 in.	4
147	Lockwasher, #10	4
148	Push Button Switch	1
149	Contact Block, N.C.	1
150	Contact Block, N.O.	1



SINGLE PANEL SUB-ASSEMBLY



DUAL PANEL SUB-ASSEMBLY

INSTRUMENT PANEL
SINGLE AND DUAL OPTIONS