



Document Number	Issue Date	Rev. Date
SPL 83284	05/01/13	

RF600 Series Body Assembly Service Parts List

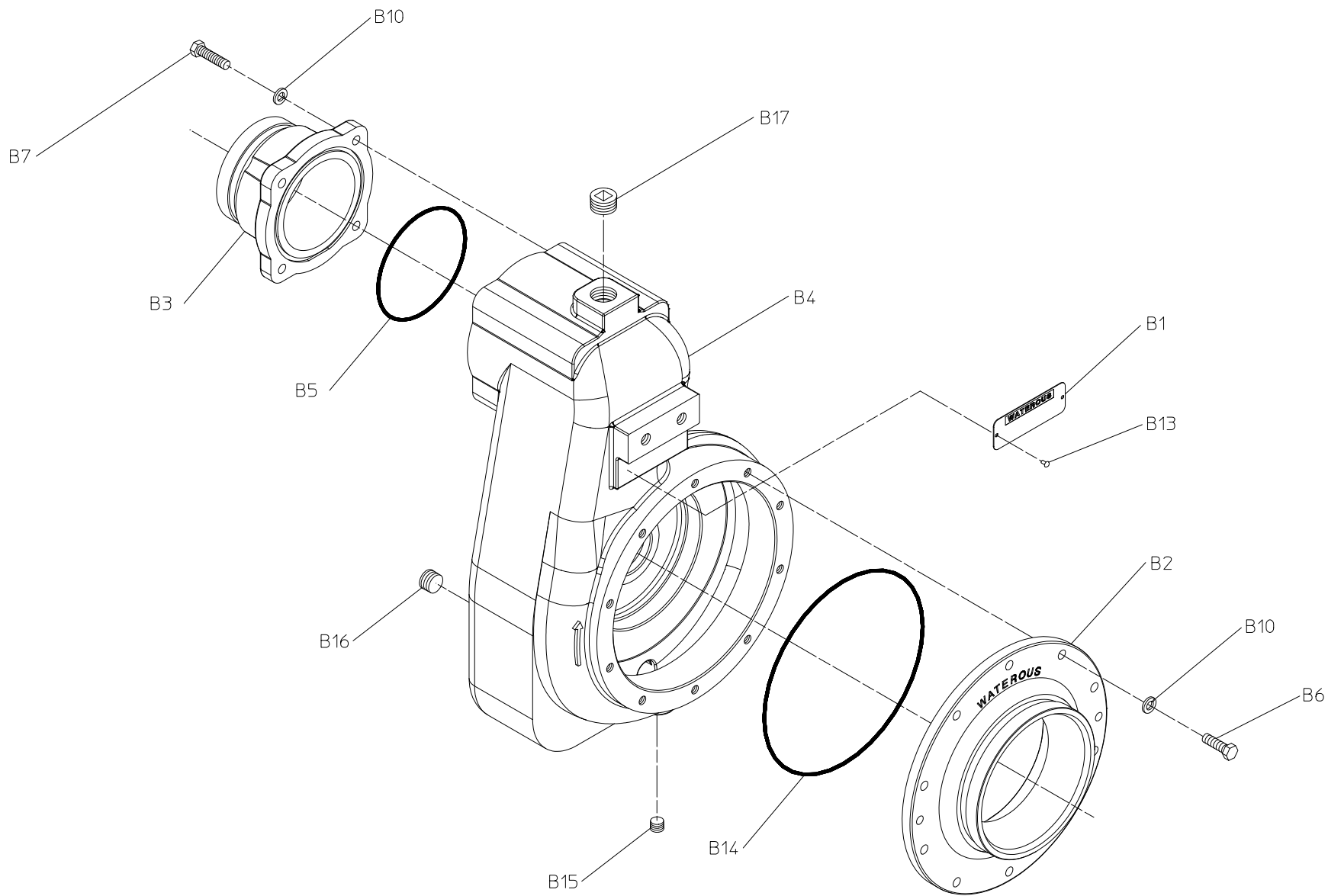
Index:

Model	See Page	
	Exploded View	Cross Section View
RF600T	2, 3	4, 5

Exploded View

REF. NO.	DESCRIPTION
B1	Repair Serial Plate
B2	Suction Adapter
B3	Discharge Adapter
B4	Volute Body
B5	O-ring, 4-3/4 x 5 in.
B6	Hex Hd Screw, 3/8-16 x 1-1/4 in.

REF. NO.	DESCRIPTION
B7	Hex Hd Screw, 3/8-16 x 1-1/2 in.
B10	Lock Washer, 3/8 in.
B13	Round Hd Drive Screw, 6 x 1/4 in.
B14	O-ring, 8-3/4 x 9 in.
B15	Headless Pipe Plug, 1/4 NPT
B16	Headless Pipe Plug, 1/2 NPT
B17	Headless Pipe Plug, 3/4 NPT

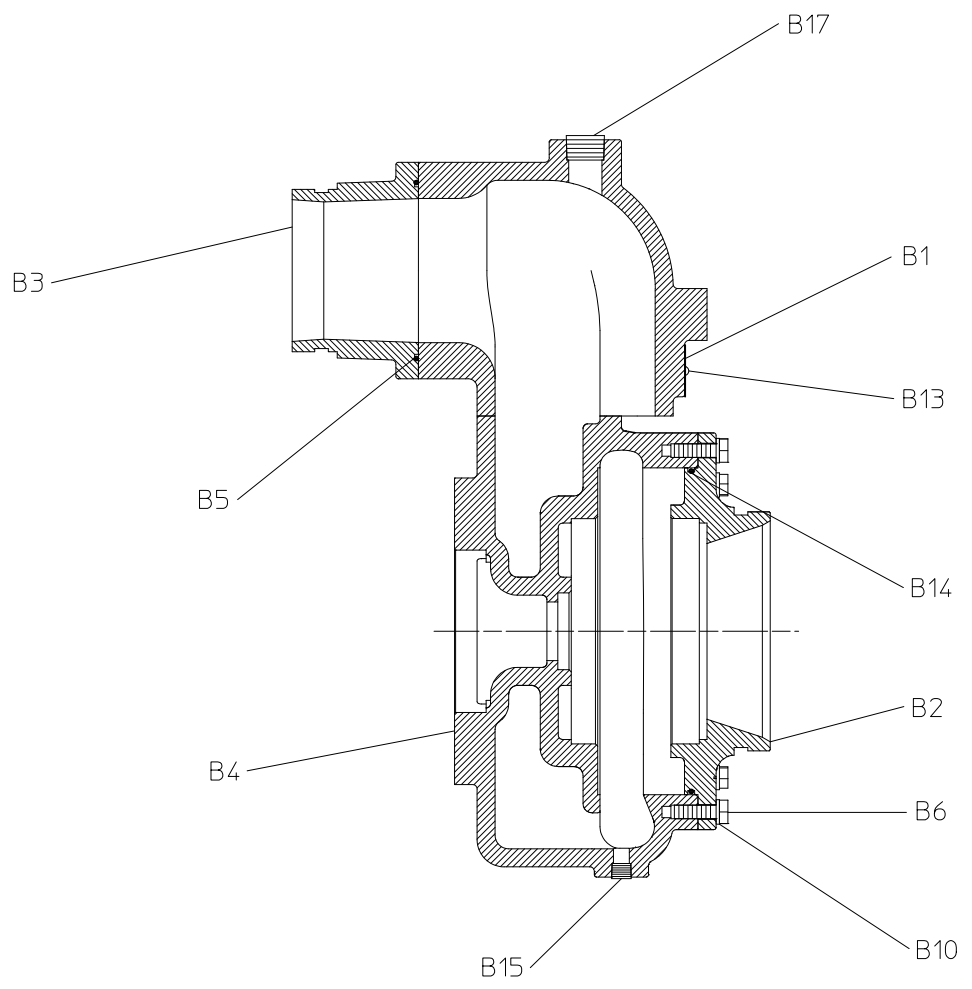


Exploded View

Cross Section View

REF. NO.	DESCRIPTION
B1	Repair Serial Plate
B2	Suction Adapter
B3	Discharge Adapter
B4	Volute Body
B5	O-ring, 4-3/4 x 5 in.
B6	Hex Hd Screw, 3/8-16 x 1-1/4 in.

REF. NO.	DESCRIPTION
B10	Lock Washer, 3/8 in.
B13	Round Hd Drive Screw, #6 x 1/4 in.
B14	O-ring, 8-3/4 x 9 in.
B15	Headless Pipe Plug, 1/4 NPT
B17	Headless Pipe Plug, 3/4 NPT



Cross Section View