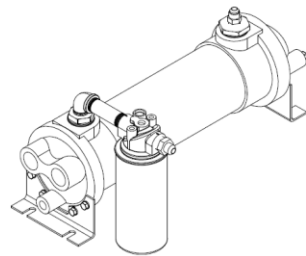


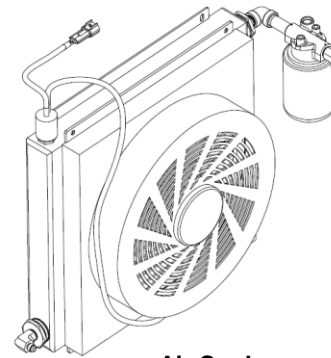
Oil Cooler Service Parts List

Index:

Model				See Pages	
PTO Kits		PTO Systems		Water Cooler	Air Cooler
Traditional CAFS	Generated CAFS	Traditional CAFS	Generated CAFS		
80-P	-	-	-	2, 3	8, 9
100-B	-	250-100-P 500-100-P 750-100-P 1000-100-P 1250-100-P 250-120-P 500-120-P	-	4, 5	10, 11
140-P 200-P	150-OS 150-ECL	500-150-P 750-150-P 1000-150-P 1250-150-P	750-150-OS 1000-150-OS 1250-150-OS 750-150-ECL 1000-150-ECL 1250-150-ECL	6, 7	



Water Cooler



Air Cooler

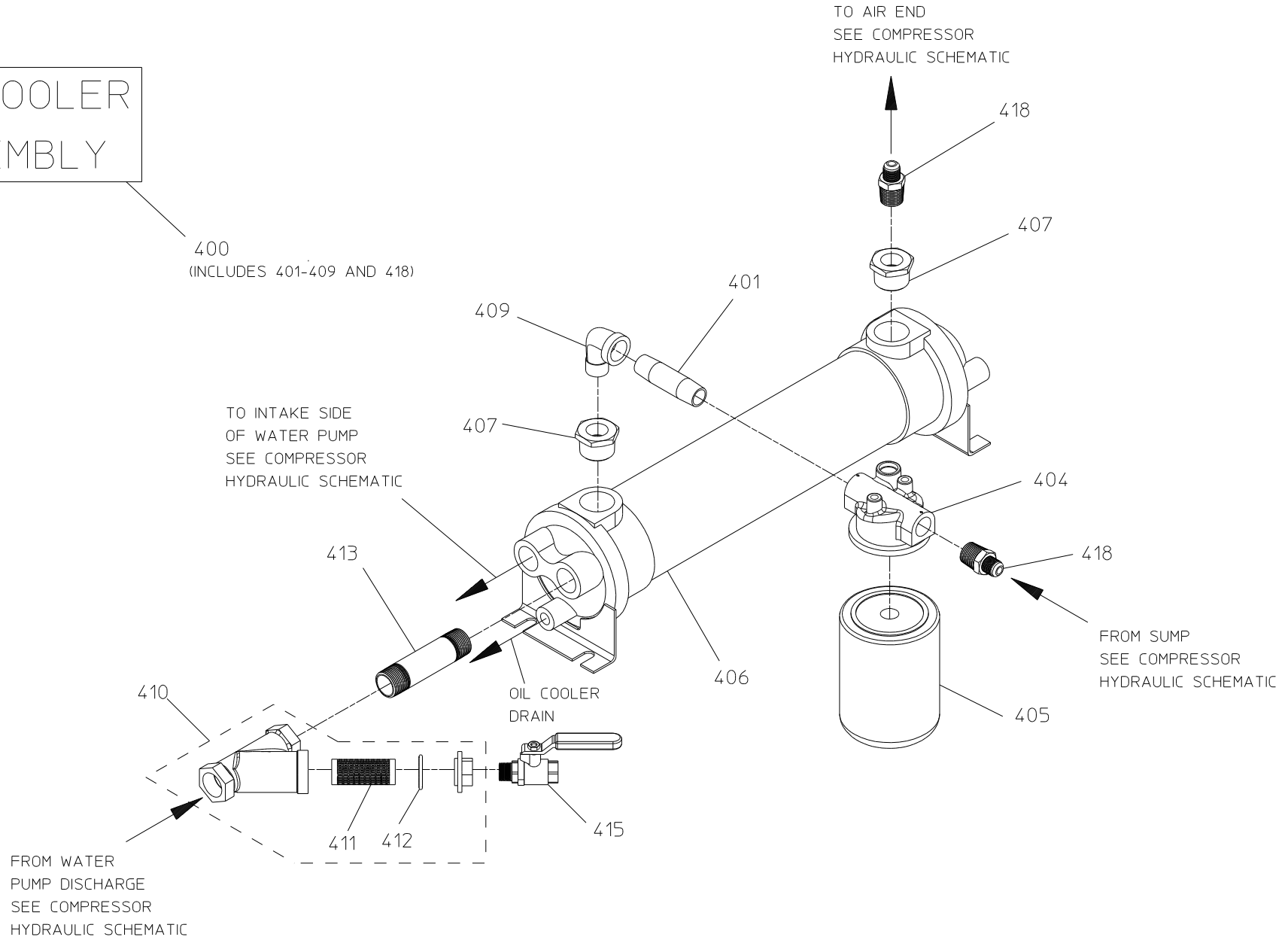
Water Cooler Model 80-P

REF. NO.	DESCRIPTION
400	Oil Cooler Assembly (Includes 401 thru 409 and 418)
401	Pipe Nipple, ½ NPT x 3 in.
404	Medium Filter Head
405	Oil Filter, WD920
406	Medium Iron Cooler (Includes Brackets and Pipe Plugs)
407	Reducing Bushing, 1 NPT x ½ NPT (Brass)
409	90 Degree Street Elbow, ½ NPT

REF. NO.	DESCRIPTION
410	Wye Strainer, ¾ in. (Includes 411 and 412)
411	Strainer Screen, ¾ in.
412	Strainer Gasket, ¾ in.
413	Pipe Nipple, ¾ NPT x 4 in. (Brass)
415	Ball Valve, ½ FNPT x ½ MNPT
418	Straight Adapter, 6 MJIC x ½ MNPT

OIL COOLER ASSEMBLY

400
(INCLUDES 401-409 AND 418)



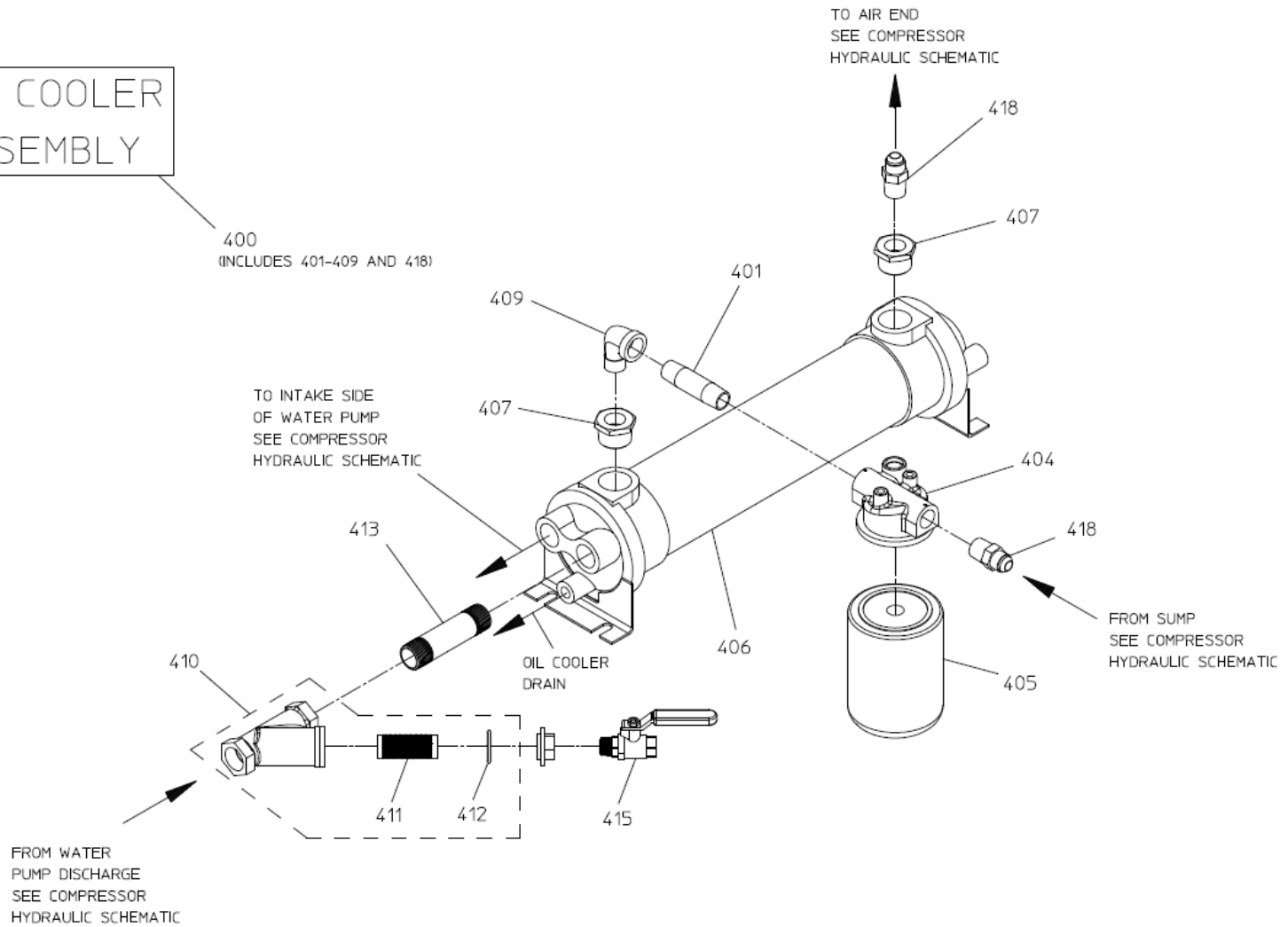
WATER COOLER
MODEL 80-P

Water Cooler – Model 100-B
Models Ending with 100-P, 120-P

REF. NO.	DESCRIPTION
400	Oil Cooler Assembly (Includes 401 thru 409 and 418)
401	Pipe Nipple, ½ NPT x 3 in.
404	Medium Filter Head
405	Oil Filter, WD920
406	Medium Iron Cooler (Includes Brackets and Pipe Plugs)
407	Reducing Bushing, 1 NPT x ½ NPT (Brass)
409	90 Degree Street Elbow, ½ NPT

REF. NO.	DESCRIPTION
410	Wye Strainer, ¾ in. (Includes 411 and 412)
411	Strainer Screen, ¾ in.
412	Strainer Gasket, ¾ in.
413	Pipe Nipple, ¾ NPT x 4 in. (Brass)
415	Ball Valve, ½ FNPT x ½ MNPT
418	Straight Adapter, 8 MJIC x ½ MNPT

OIL COOLER ASSEMBLY



WATER COOLER

MODEL 100-B
MODELS ENDING IN 100-P, 120-P

Water Cooler

Models 140-P, 200-P, 150-OS, 150-ECL
Models Ending with 150-P, 150-OS, 150-ECL

REF. NO.	DESCRIPTION
400	Oil Cooler Assembly (Includes 401 thru 409)
401	Pipe Nipple, ¾ NPT x 4 in.
402	Straight Adapter, 8 MJIC x ¾ MNPT
404	Large Filter Head
405	Oil Filter, WD962
406	Large Iron Cooler (Includes Brackets and Pipe Plugs)
407	Reducing Bushing, 1-1/2 NPT x ¾ NPT (Brass)
408	Reducing Bushing, 1-1/2 NPT x ½ NPT (Brass)
409	90 Degree Street Elbow, ¾ NPT

REF. NO.	DESCRIPTION
410	Wye Strainer, 1 in. (Includes 411 and 412)
411	Strainer Screen, 1 in.
412	Strainer Gasket, 1 in.
413	Pipe Nipple, 1 NPT x 3 in. (Brass)
415	Ball Valve, ½ FNPT x ½ MNPT
418	Straight Adapter, 8 MJIC x ½ MNPT
436	Drain Cock, 3/8 NPT

OIL COOLER ASSEMBLY

400
(INCLUDES 401-409, AND 418)

TO AIR END
SEE COMPRESSOR
HYDRAULIC SCHEMATIC

TO INTAKE SIDE
OF WATER PUMP
SEE COMPRESSOR
HYDRAULIC SCHEMATIC

FROM SUMP
SEE COMPRESSOR
HYDRAULIC SCHEMATIC

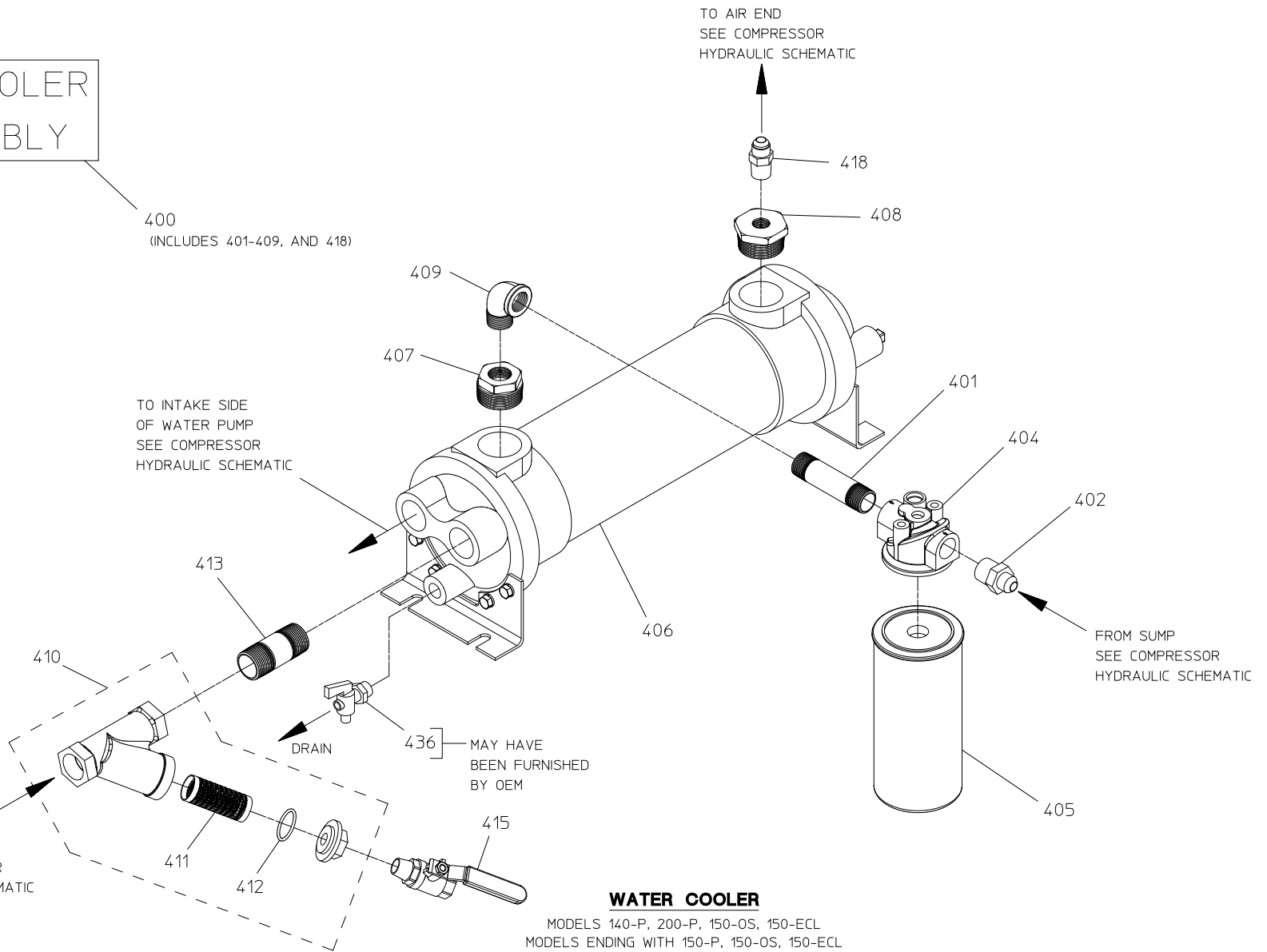
FROM WATER
PUMP DISCHARGE
SEE COMPRESSOR
HYDRAULIC SCHEMATIC

DRAIN

436
MAY HAVE
BEEN FURNISHED
BY OEM

WATER COOLER

MODELS 140-P, 200-P, 150-OS, 150-ECL
MODELS ENDING WITH 150-P, 150-OS, 150-ECL

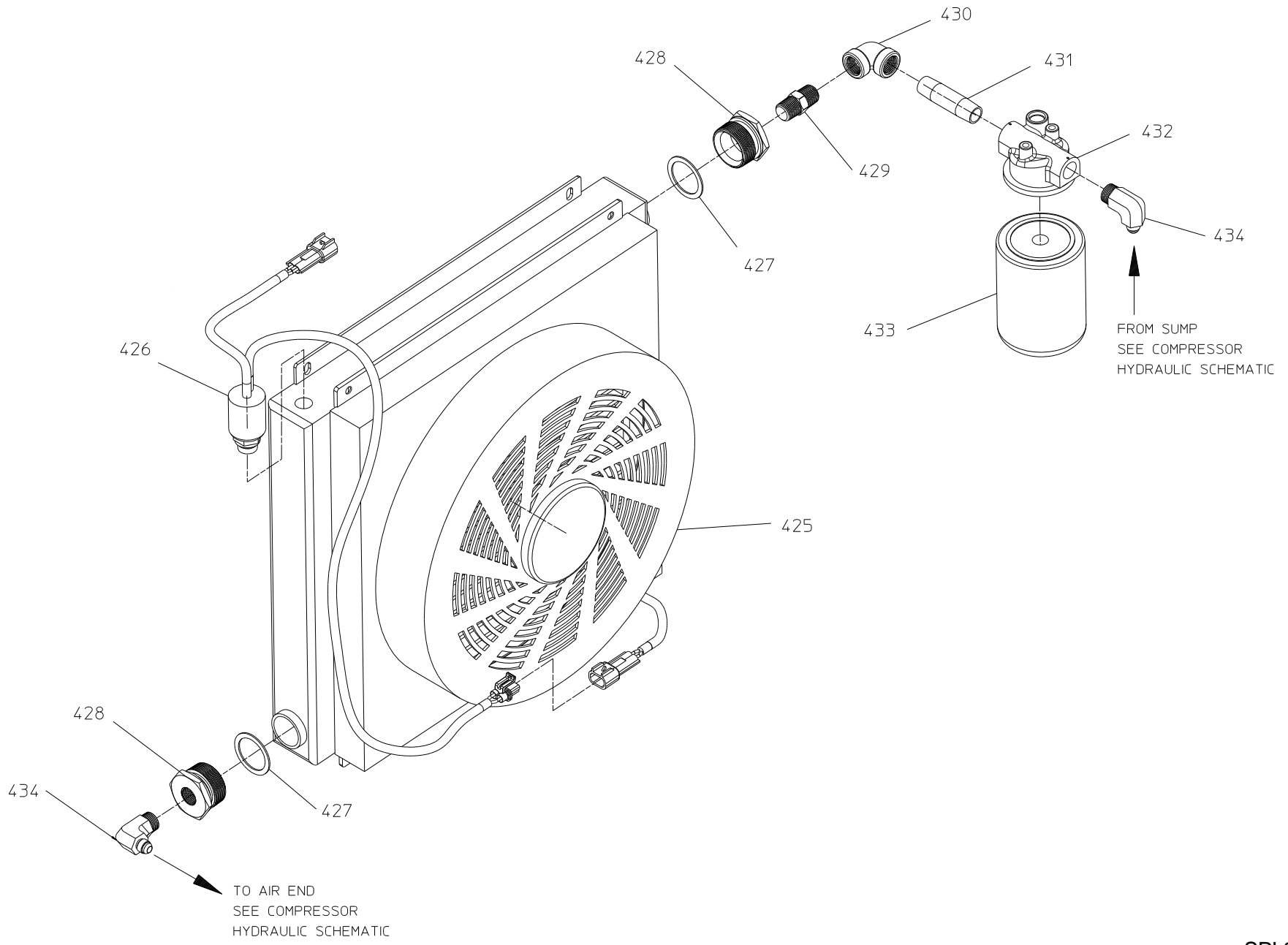


Air Cooler

Model 80-P

REF. NO.	DESCRIPTION
425	Air Oil Cooler
426	Temperature Switch
427	Copper Washer
428	Reducing Bushing, 1-1/4 FBSP x 1/2 FNPT
429	Hex Pipe Nipple, 1/2 MNPT

REF. NO.	DESCRIPTION
430	90 Degree Elbow, 1/2 FNPT
431	Pipe Nipple, 1/2 NPT x 3 in.
432	Medium Oil Filter Head
433	Oil Filter, WD920
434	90 Degree Elbow, 6 MJIC x 1/2 MNPT



AIR COOLER
MODEL 80-P

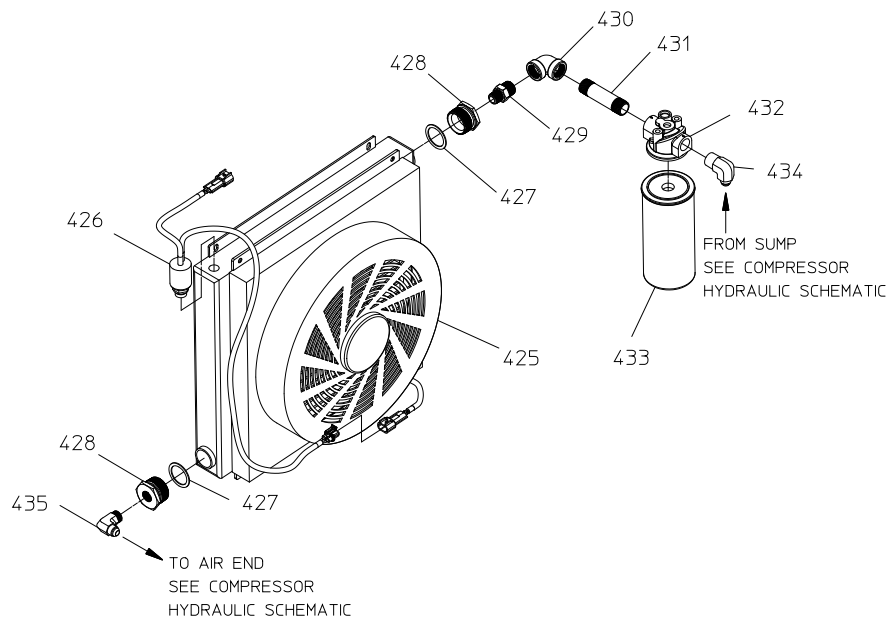
Air Cooler

Models 100-B, 140-P, 200-P, 150-OS, 150-ECL

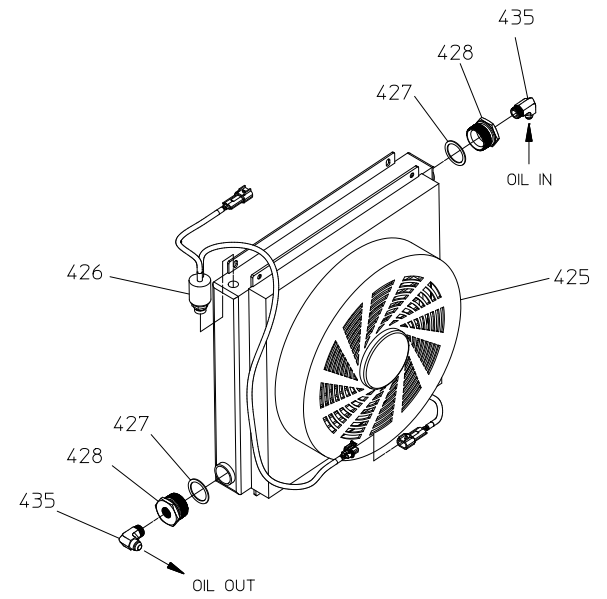
Models Ending with 100-P, 120-P, 150-P, 150-OS, 150-ECL

REF. NO.	DESCRIPTION
425	Air Oil Cooler
426	Temperature Switch
427	Copper Washer
428	Reducing Bushing, 1-1/4 FBSP x 1/2 FNPT
429	Hex Pipe Nipple, 3/4 x 1/2 MNPT

REF. NO.	DESCRIPTION
430	90 Degree Elbow, 3/4 FNPT
431	Pipe Nipple, 3/4 NPT x 4 in.
432	Large Oil Filter Head
433	Oil Filter, WD962
434	90 Degree Elbow, 8 MJIC x 3/4 MNPT
435	90 Degree Elbow, 8 MJIC x 1/2 MNPT



WITH OIL FILTER



WITHOUT OIL FILTER

AIR COOLER

MODELS 100-B, 140-P, 200-P, 150-OS, 150-ECL
 MODELS ENDING WITH 100-P, 120-P, 150-P, 150-OS, 150-ECL