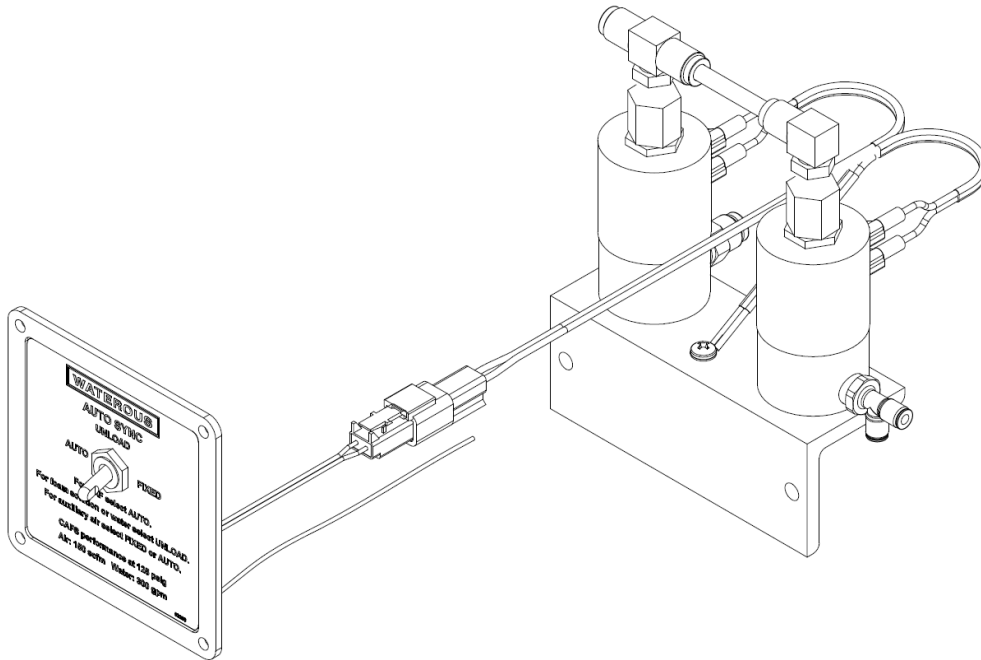




Document Number	Issue Date	Rev. Date
SPL83295	11/18/13	8/8/16

Auto-Sync Service Parts List

Index:



Model				See Page
PTO Kits		PTO Systems		
Traditional CAFS	Generated CAFS (With High Rise Option Only)	Traditional CAFS	Generated CAFS (With High Rise Option Only)	
80-P 100-B 140-P 200-P	-	250-100-P 500-100-P 750-100-P 1000-100-P 1250-100-P 250-120-P 500-120-P 500-150-P 750-150-P 1000-150-P 1250-150-P	-	2, 3
-	150-OS 150-ECL	-	750-150-OS 1000-150-OS 1250-150-OS 750-150-ECL 1000-150-ECL 1250-150-ECL	4, 5

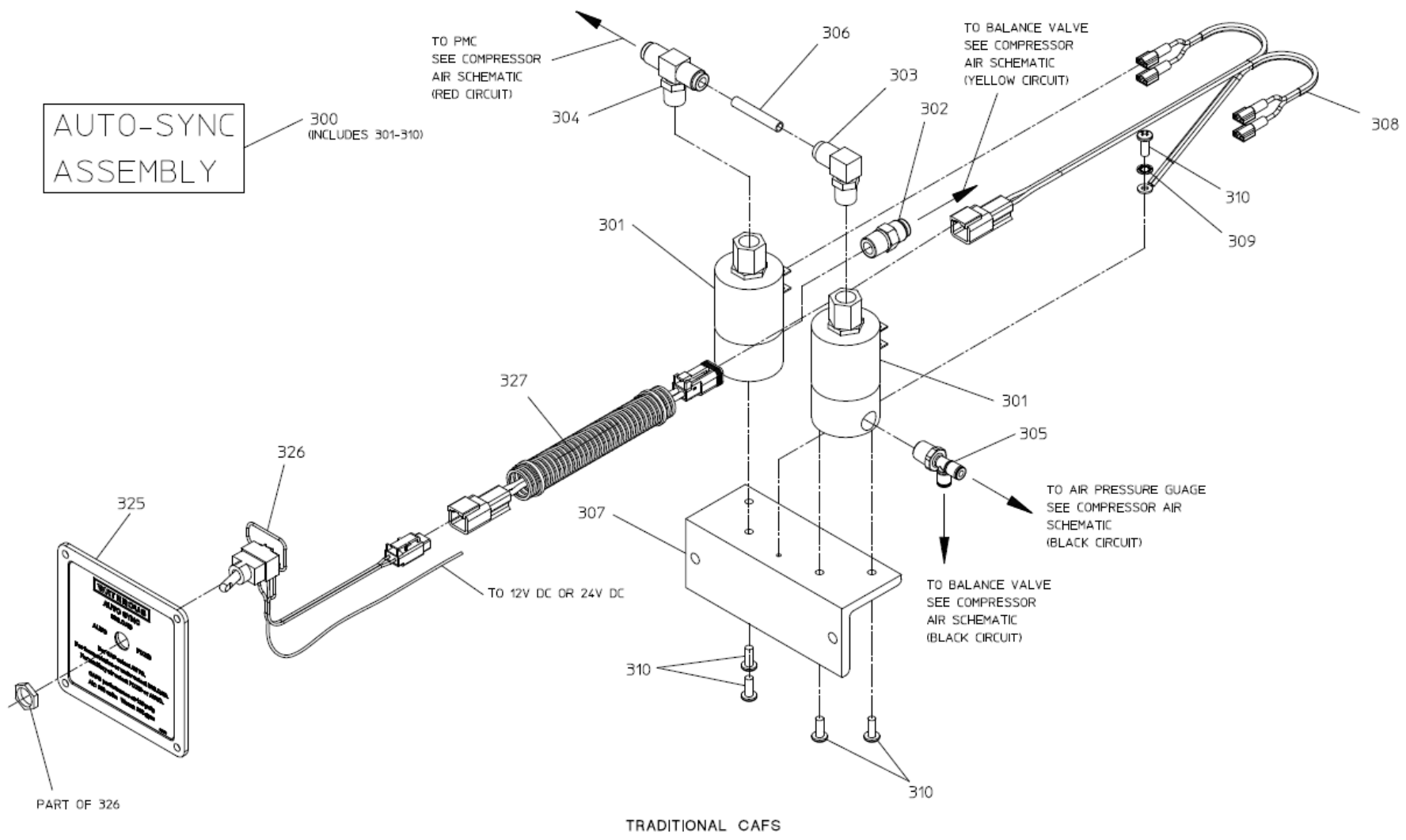
Waterous Company 125 Hardman Avenue South, South St. Paul, Minnesota 55075 USA (651) 450-5000

NOTE: When ordering parts, provide Pump, Transmission or PTO Serial Number.

Traditional CAFS

REF. NO.	DESCRIPTION
300	Auto-Sync Assembly (Includes 301 thru 310)
301	Solenoid Valve
302	Straight Adapter, 1/4 MNPT x 1/4 AB
303	90 Degree Elbow, 1/4 MNPT x 1/4 AB
304	Male Branch Tee, 1/4 MNPT x 1/4 AB x 1/4 AB
305	AB Branch Tee, 1/4 AB x 1/4 MNPT x 1/4 AB
306	Red Air Brake Tube, 1/4 in. (Cut to Suit Application)

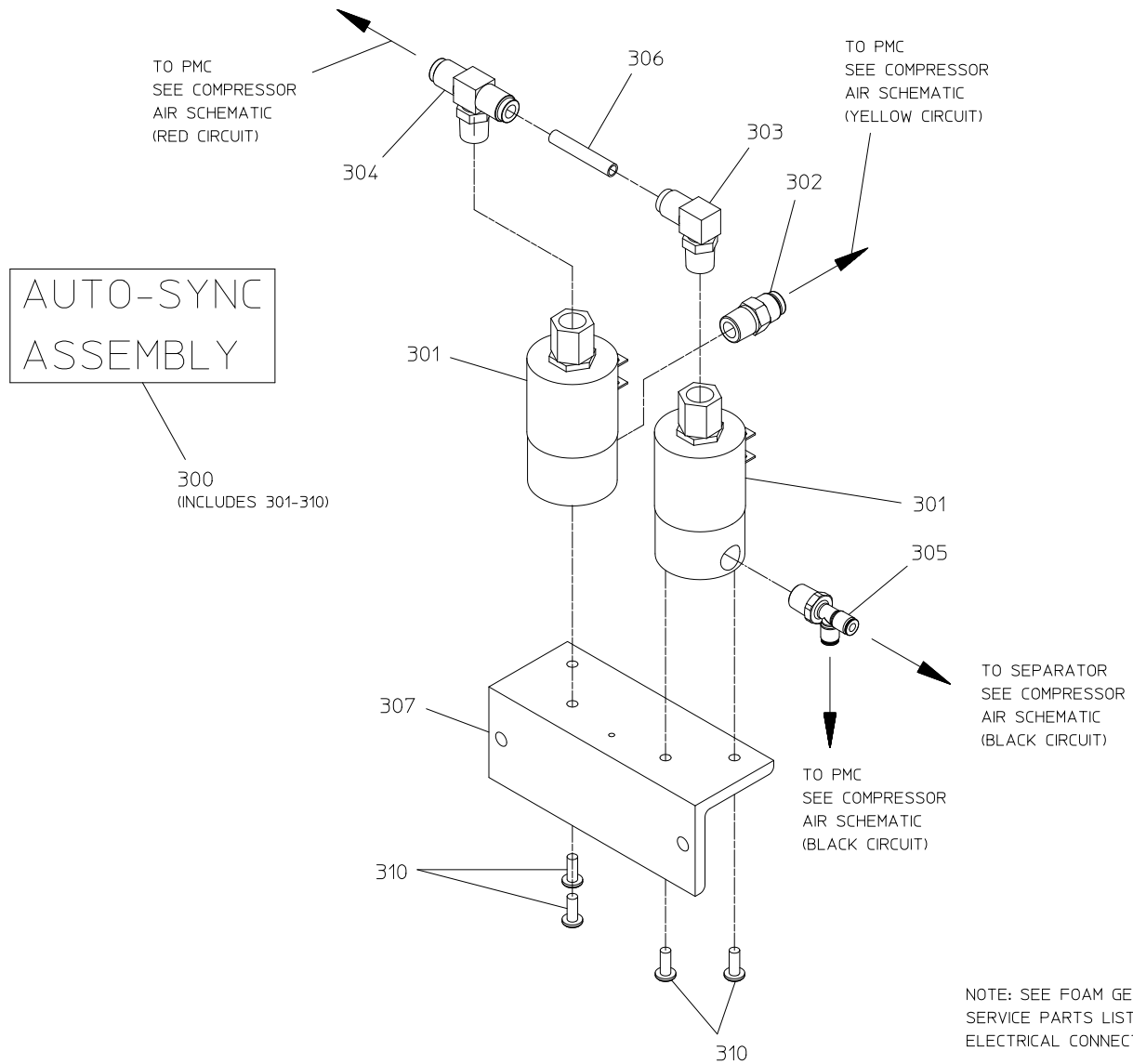
REF. NO.	DESCRIPTION
307	Solenoid Bracket
308	Electric Auto-Sync Wiring Harness
309	Internal Tooth Washer, No. 10
310	Pan Head Screw, No. 10-32 x 1/2 in.
325	Electric Auto-Sync Plate
326	Electric Auto-Sync Switch Harness
327	Auto-Sync Extension Harness, 15 Feet



Generated CAFS
(With High Rise Option)

REF. NO.	DESCRIPTION
300	Auto-Sync Assembly (Includes 301 thru 310)
301	Solenoid Valve
302	Straight Adapter, 1/4 MNPT x 1/4 AB
303	90 Degree Elbow, 1/4 MNPT x 1/4 AB
304	Male Branch Tee, 1/4 MNPT x 1/4 AB x 1/4 AB
305	AB Branch Tee, 1/4 AB x 1/4 MNPT x 1/4 AB
306	Red Air Brake Tube, 1/4 in. (Cut to Suit Application)

REF. NO.	DESCRIPTION
307	Solenoid Bracket
309	Internal Tooth Washer, No. 10
310	Pan Head Screw, No. 10-32 x 1/2 in.



GENERATED CAFS
(WITH HIGH RISE OPTION)