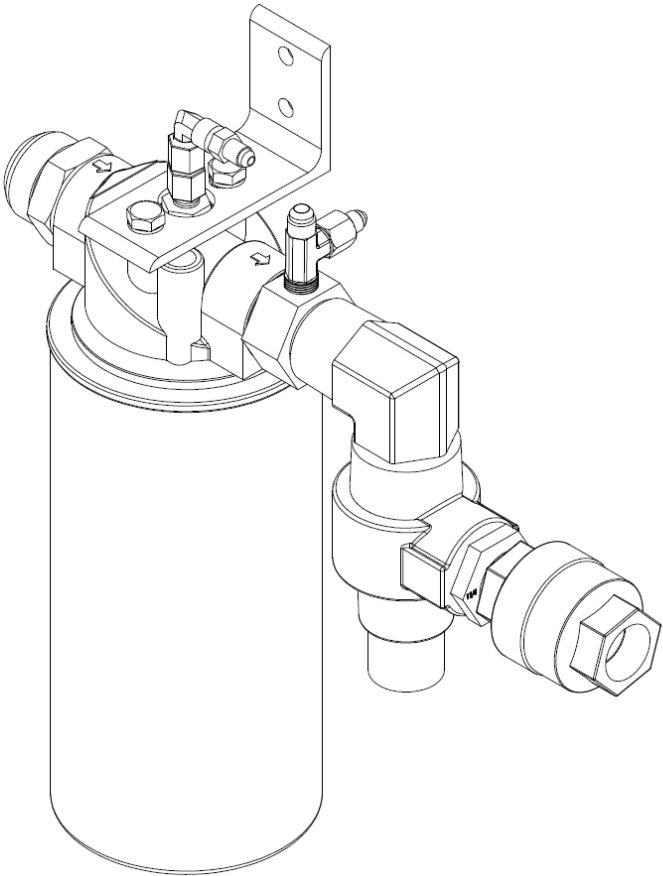


Separator Filter Service Parts List

Index:

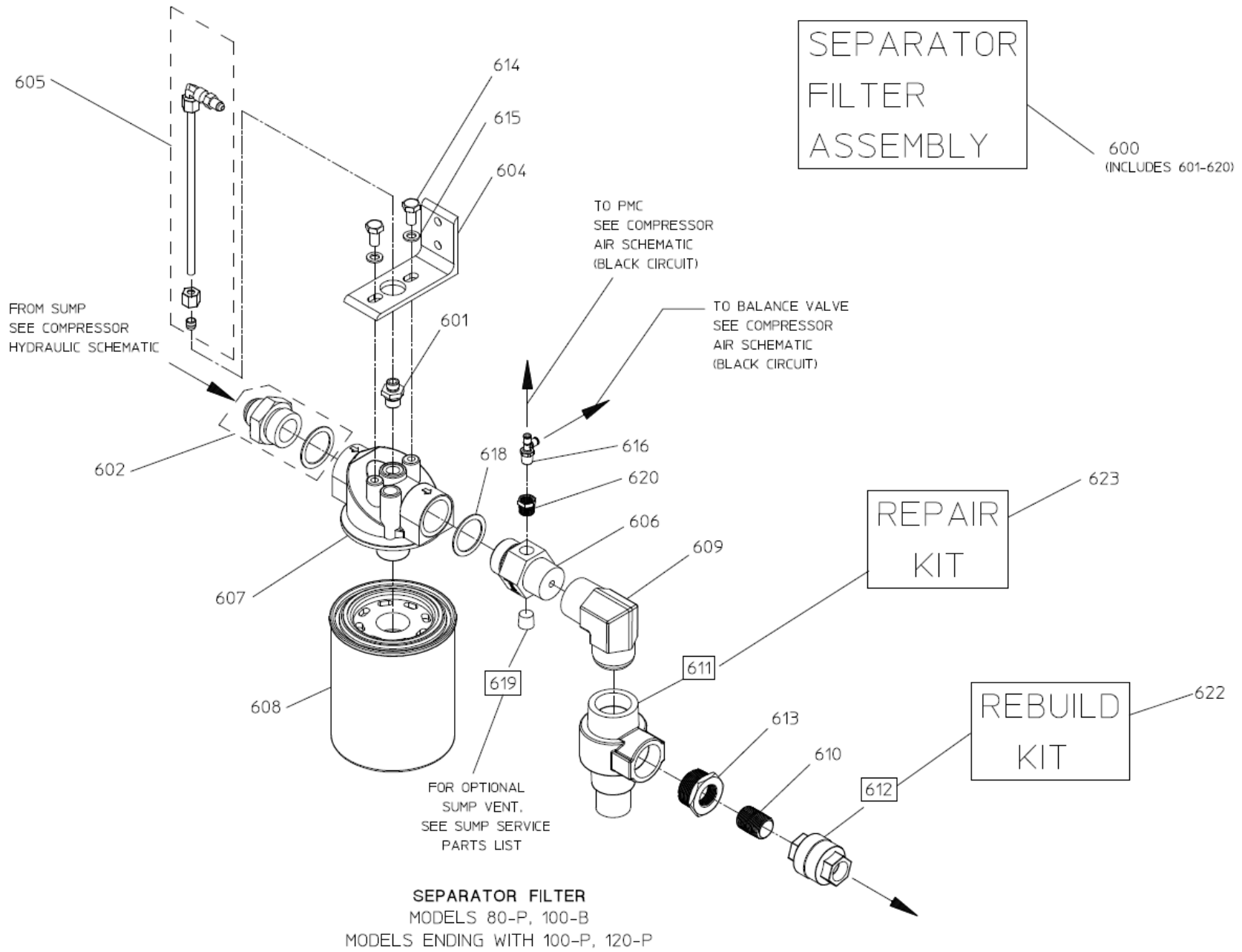


CAFS System	Model		See Page
	PTO Kits	PTO Systems	
Traditional	80-P 100-B	250-100-P 250-120-P 500-100-P 500-120-P 750-100-P 1000-100-P 1250-100-P	2, 3
	140-P	500-150-P 750-150-P 1000-150-P 1250-150-P	4, 5
	200-P	-	6, 7
Generated	150-OS 150-ECL	750-150-OS 1000-150-OS 1250-150-OS 750-150-ECL 1000-150-ECL 1250-150-ECL	8, 9

Separator Filter – Models 80-P, 100-B
Models Ending with 100-P, 120-P

REF NO.	DESCRIPTION
600	Separator Filter Assembly (Includes 601 thru 620)
601	Scavenger Fitting (Includes Ferrule and Nut)
602	Straight Adapter, 16 MJIC x 1-1/4 BSP (Includes O-ring and Washer)
604	Separator Bracket
605	Scavenger Tube Assembly (Includes Ferrule and Nut)
606	Restrictor Fitting
607	Filter Head
608	Separator Filter
609	90 Degree Street Elbow, 1-1/4 NPT
610	Close Nipple, 3/4 NPT (Brass)
611	Minimum Pressure Control Valve, 1-1/4 in.

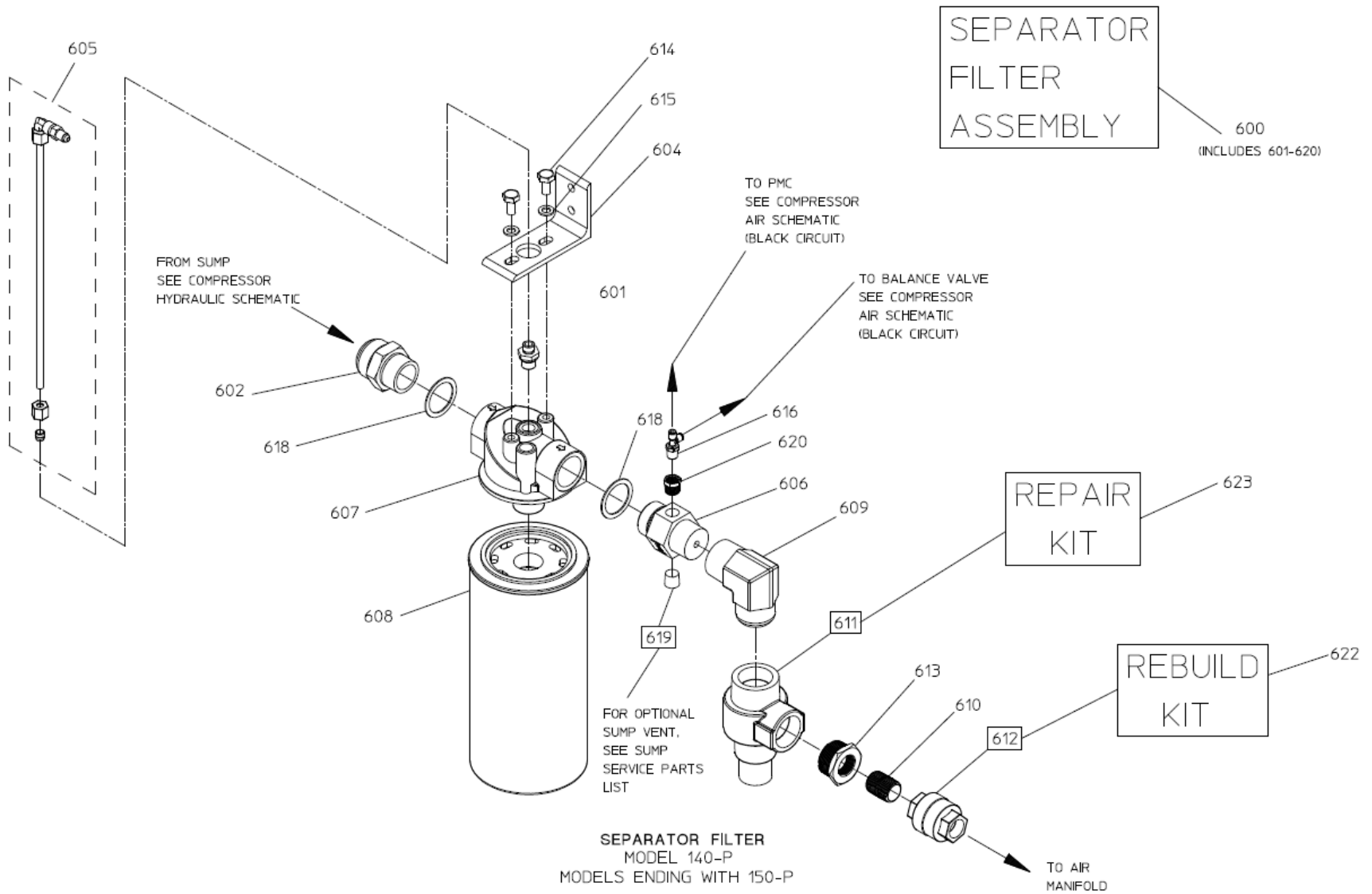
REF NO.	DESCRIPTION
612	Check Valve, 3/4 in.
613	Reducing Bushing, 1-1/4 MNPT x 3/4 FNPT (Brass)
614	Hex Head Screw, M10-1.5 x 20 mm
615	Flat Washer, 10 mm
616	Tee, 1/4 MNPT x 1/4 AB x 1/4 AB
618	Copper Washer, 1.928 in. OD
619	Headless Pipe Plug, 3/8 in. NPT
620	Reducing Bushing, 3/8 MNPT x 1/4 FNPT
622	Check Valve Rebuild Kit
623	Minimum Pressure Valve Repair Kit



Separator Filter
Model 140-P, Models Ending with 150-P

REF NO.	DESCRIPTION
600	Separator Filter Assembly (Includes 601 thru 620)
601	Scavenger Fitting (Includes Ferrule and Nut)
602	Straight Adapter, 24 MJIC x 1-1/4 BSP
604	Separator Bracket
605	Scavenger Tube Assembly (Includes Ferrule and Nut)
606	Restrictor Fitting
607	Filter Head
608	Separator Filter
609	90 Degree Street Elbow, 1-1/4 NPT
610	Close Nipple, 3/4 NPT (Brass)
611	Minimum Pressure Control Valve, 1-1/4 in.

REF NO.	DESCRIPTION
612	Check Valve, 3/4 in.
613	Reducing Bushing, 1-1/4 MNPT x 3/4 FNPT (Brass)
614	Hex Head Screw, M10-1.5 x 20 mm
615	Flat Washer, 10 mm
616	Tee, 1/4 MNPT x 1/4 AB x 1/4 AB
618	Copper Washer, 1.928 in. OD
619	Headless Pipe Plug, 3/8 in. NPT
620	Reducing Bushing, 3/8 MNPT x 1/4 FNPT
622	Check Valve Rebuild Kit
623	Minimum Pressure Valve Repair Kit

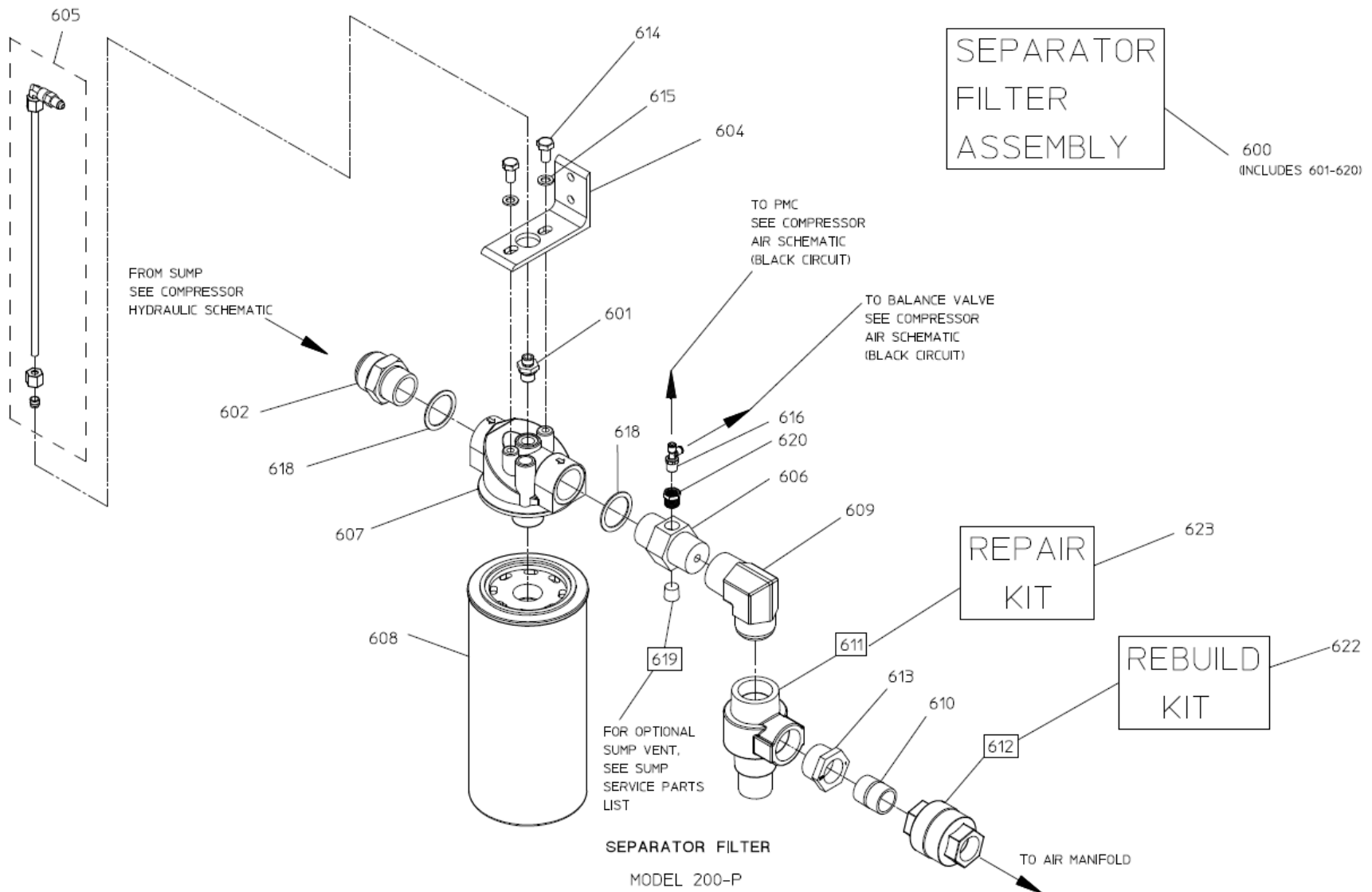


Separator Filter

Model 200-P

REF NO.	DESCRIPTION
600	Separator Filter Assembly (Includes 601 thru 620)
601	Scavenger Fitting (Includes Ferrule and Nut)
602	Straight Adapter, 24 MJIC x 1-1/4 BSP
604	Separator Bracket
605	Scavenger Tube Assembly (Includes Ferrule and Nut)
606	Restrictor Fitting
607	Filter Head
608	Separator Filter
609	90 Degree Street Elbow, 1-1/4 NPT
610	Close Nipple, 1 in. NPT (Brass)
611	Minimum Pressure Control Valve, 1-1/4 in.

REF NO.	DESCRIPTION
612	Check Valve, 1 in.
613	Reducing Bushing, 1-1/4 MNPT x 1 in. FNPT (Brass)
614	Hex Head Screw, M10-1.5 x 20 mm
615	Flat Washer, 10 mm
616	Tee, 1/4 MNPT x 1/4 AB x 1/4 AB
618	Copper Washer, 1.928 in. OD
619	Headless Pipe Plug, 3/8 in. NPT
620	Reducing Bushing, 3/8 MNPT x 1/4 FNPT
622	Check Valve Rebuild Kit
623	Minimum Pressure Valve Repair Kit



Separator Filter – Model 150-OS, 150-ECL

Models Ending with 150-OS, 150-ECL

REF NO.	DESCRIPTION
600	Separator Filter Assembly (Includes 601 thru 620)
601	Scavenger Fitting (Includes Ferrule and Nut)
602	Straight Adapter, 24 MJIC x 1-1/4 BSP
604	Separator Bracket
605	Scavenger Tube Assembly (Includes Ferrule and Nut)
606	Restrictor Fitting
607	Filter Head
608	Separator Filter
609	90 Degree Street Elbow, 1-1/4 NPT
610	Close Nipple, 3/4 NPT (Brass)
611	Minimum Pressure Control Valve, 1-1/4 in.

REF NO.	DESCRIPTION
612	Check Valve, 3/4 in.
613	Reducing Bushing, 1-1/4 MNPT x 3/4 FNPT (Brass)
614	Hex Head Screw, M10-1.5 x 20 mm
615	Flat Washer, 10 mm
616	Tee, 1/4 MNPT x 1/4 AB x 1/4 AB
618	Copper Washer, 1.928 in. OD
619	Headless Pipe Plug, 3/8 in. NPT
620	Reducing Bushing, 3/8 MNPT x 1/4 FNPT
622	Check Valve Rebuild Kit
623	Minimum Pressure Valve Repair Kit
624	Straight Adapter, 1/4 MNPT x 1/4 AB
625	Pressure Transducer

