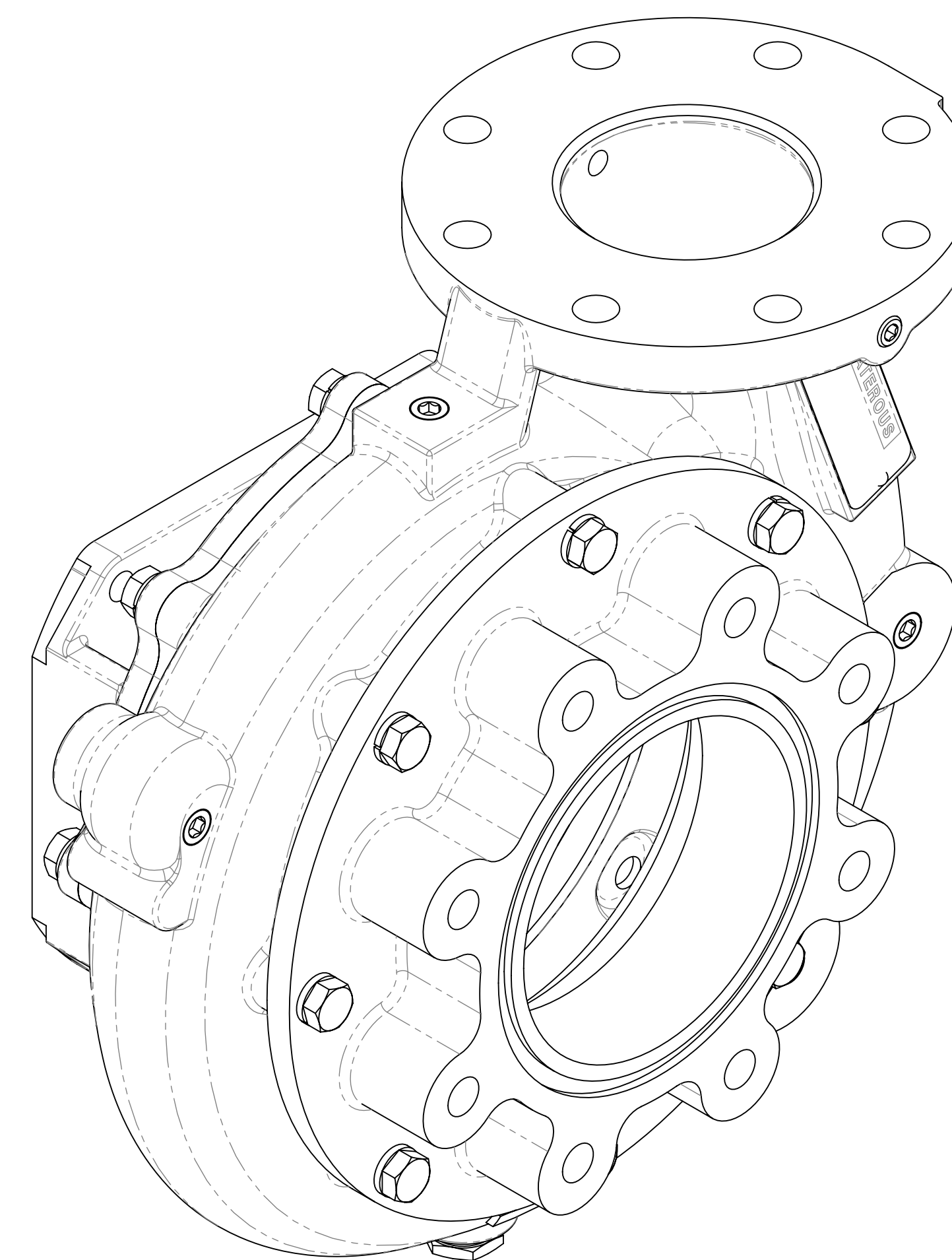
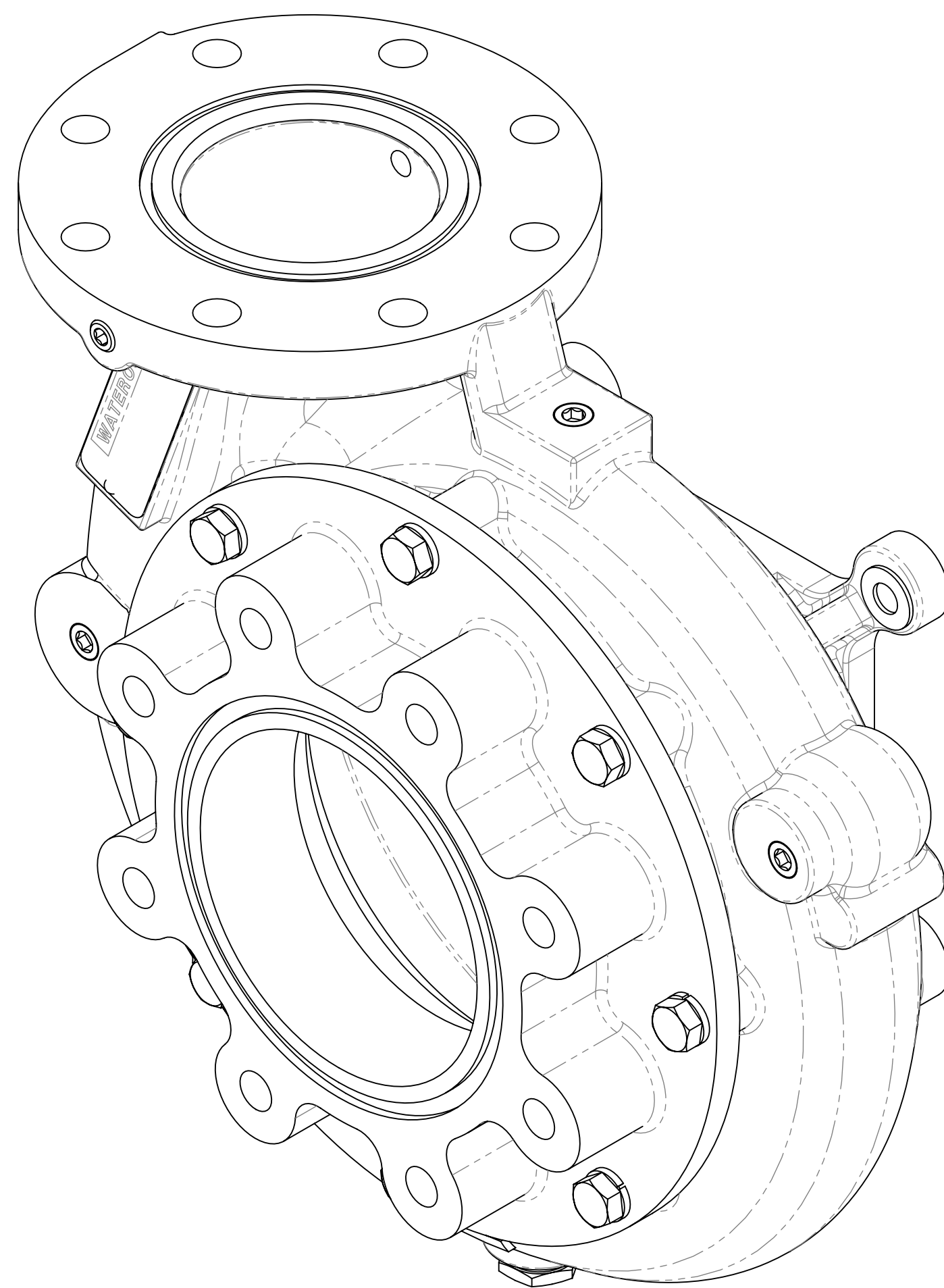


CXN Series Pump Body Service Parts List

Index:

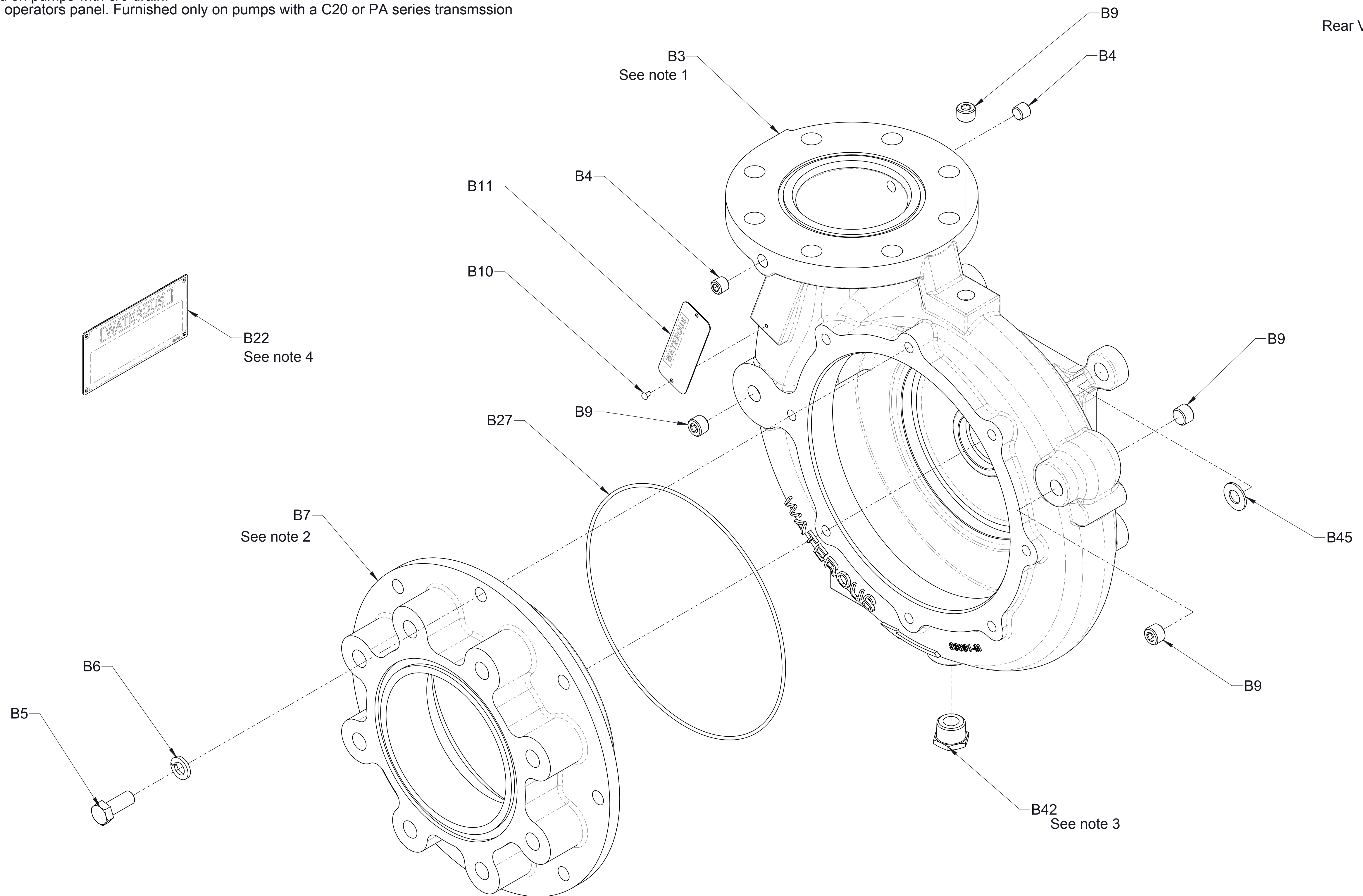
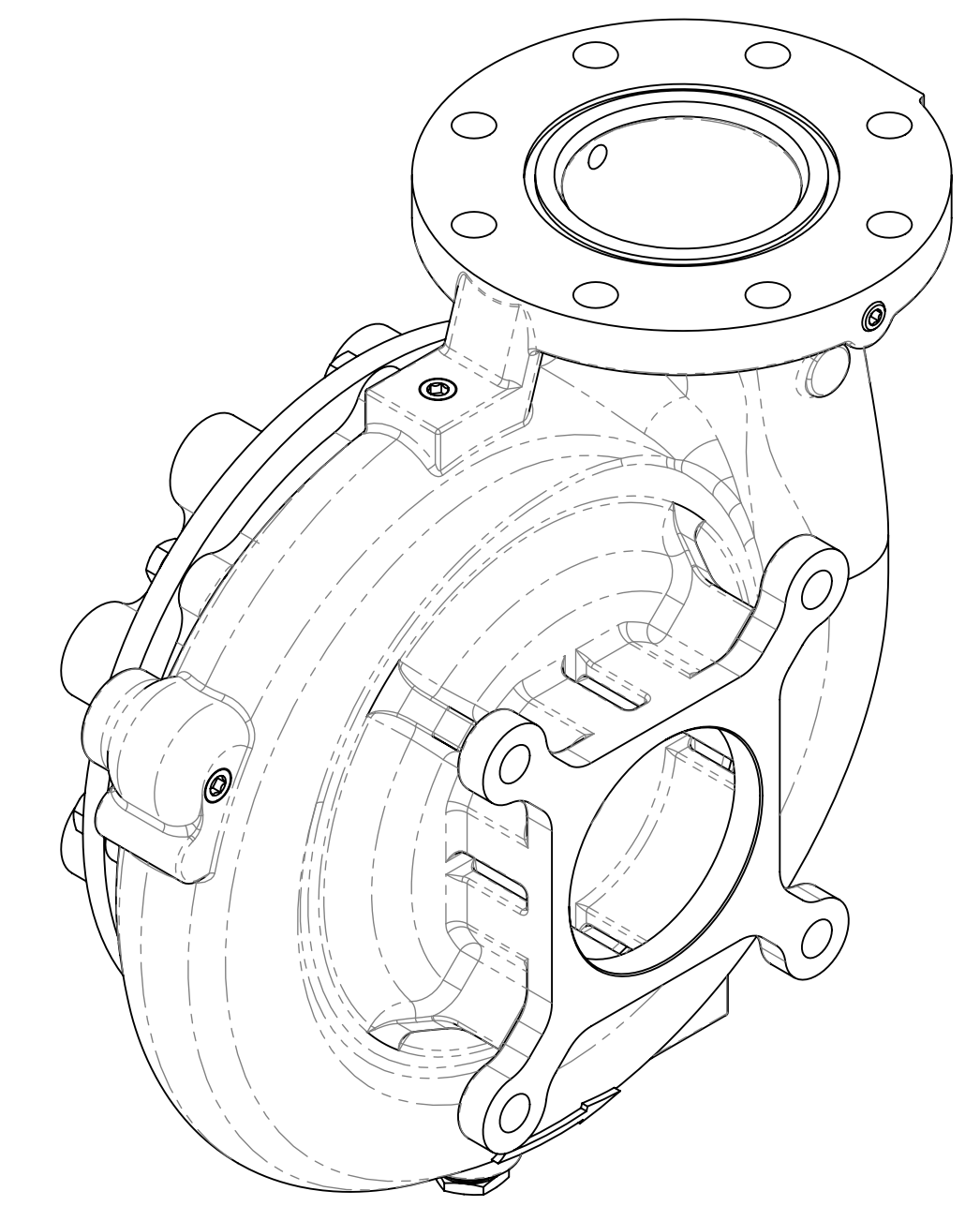
Pump and Transmission Model (Located on Pump Serial Plate)					See Page			
C20 Series	D Series	K Series	T Series	P Series	Body and Intake Fitting		Optional Discharge Manifold	
					One-Piece Volute	Two-Piece Volute	With 3-1/2 in. End Flanges	With 4 in. End Flanges
CXNC20B CXNC20C CXNC20D CXNC20E CXNC20F	--	CXNK	CXNT	CXNPA	2	3	6	7
--	CXND	--	--	--	4	5		



Ref No.	Description
B3	Body-Volute, CW
B4	Plug-Pipe, Headless, 1/4 NPT, Steel
B5	Screw-Hex Hd, 1/2-13 x 1-1/4 in
B6	Washer-Lock, 1/2 in, Zinc Plated
B7	Fitting-Intake, DIN 150 (CXN)
B9	Plug-Pipe, Headless, 3/8 NPT, Steel
B10	Screw-Drive, #6 x 1/4 in
B11	Plate-Serial
B22	Plate-Serial, Operator's Panel
B27	O-Ring, 9-3/4 x 10 in
B42	Bushing-Reducing, Pipe, 3/4 x 3/8 NPT, Iron
B45	Washer-Plain, 1/2 in, Zinc Plated

Service Notes:

1. B3 volute includes B10 drive screws, B11 serial plate, and impeller wear ring.
2. B7 intake fitting includes impeller wear ring.
3. B42 reducing bushing only used on pumps with 3/8 drain.
4. B22 is located on the the pump operators panel. Furnished only on pumps with a C20 or PA series transmsion

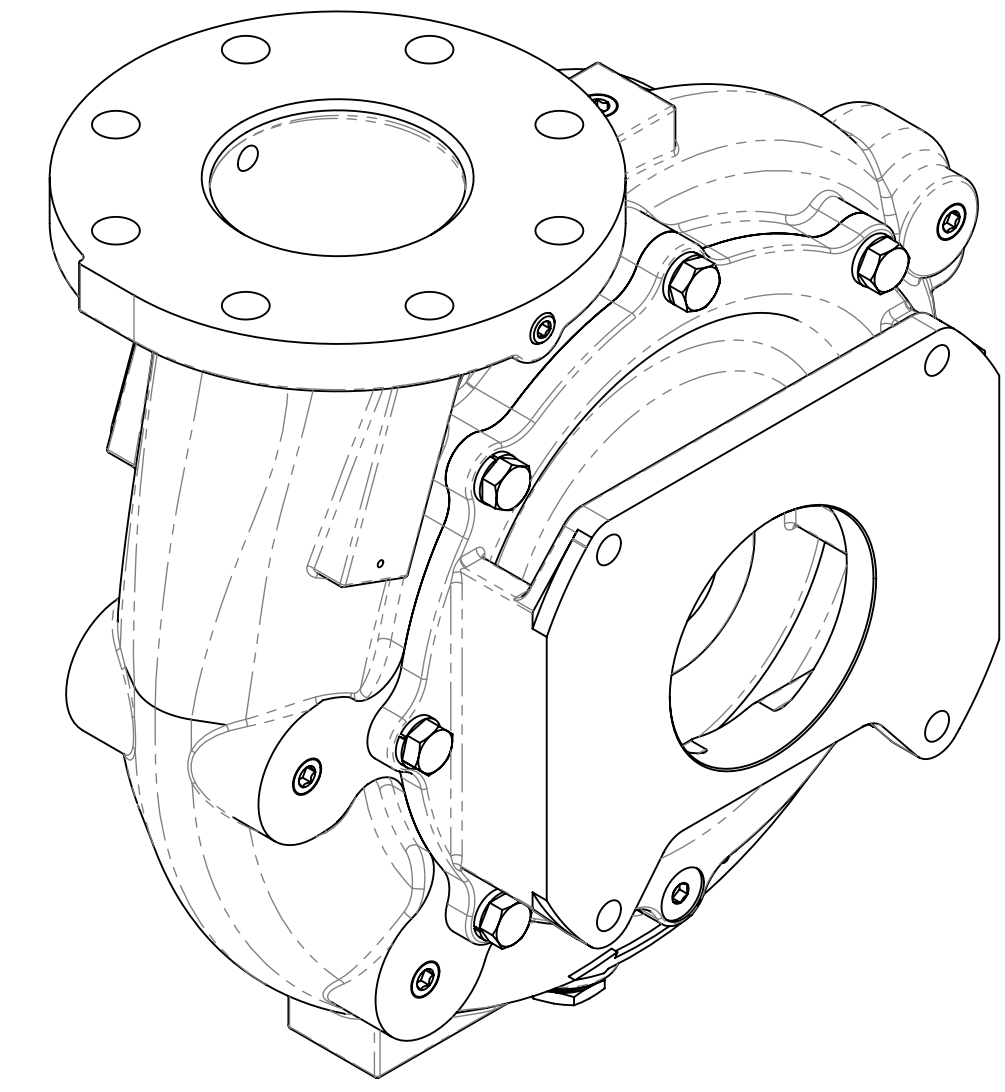


**Body and Intake Fitting (One-Piece Volute)
C20, K, T, and P Series Transmission**

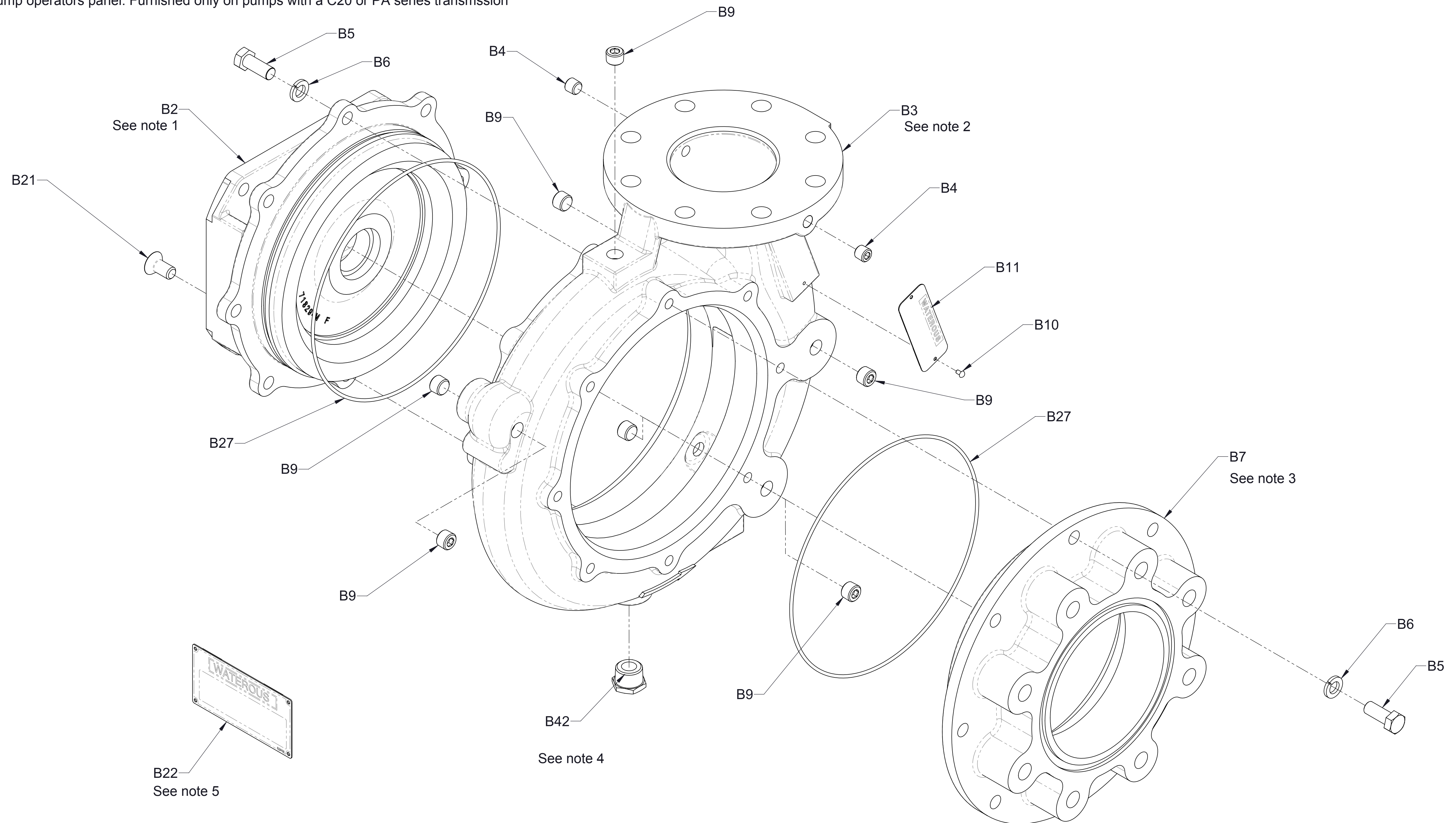
Ref No.	Description
B2	Head-Pump (Mech Seal)
B3	Body-Volute
B4	Plug-Pipe, Headless, 1/4 NPT, Steel
B5	Screw-Hex Hd, 1/2-13 x 1-1/4 in
B6	Washer-Lock, 1/2 in, Zinc Plated
B7	Fitting-Intake, DIN 150 (CXN)
B9	Plug-Pipe, Headless, 3/8 NPT, Steel
B10	Screw-Drive, #6 x 1/4 in
B11	Plate-Serial
B21	Screw-Machine, Flat Head, Hex Soc, 1/2-13 x 1 in
B22	Plate-Serial, Operator's Panel
B27	O-Ring, 9-3/4 x 10 in
B42	Bushing-Reducing, Pipe, 3/4 x 3/8 NPT, Iron

Service Notes:

1. B2 pump head includes impeller wear ring.
2. B3 volute includes B10 drive screws and B11 serial plate.
3. B7 intake fitting includes impeller wear ring.
4. B42 reducing bushing only used on pumps with 3/8 drain after March 11, 2015.
5. B22 is located on the the pump operators panel. Furnished only on pumps with a C20 or PA series transmsion



Rear View

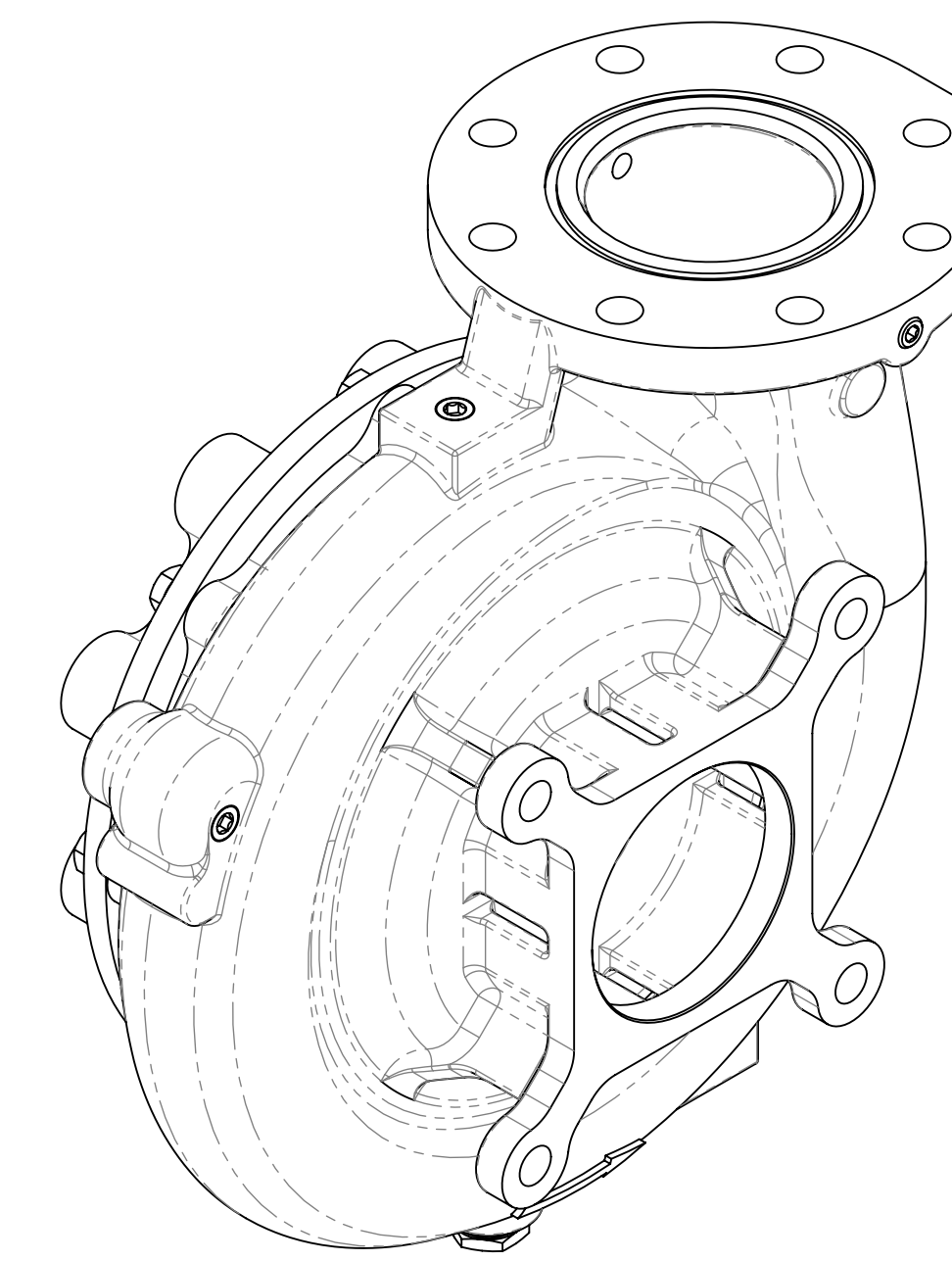


**Body and Intake Fitting (Two-Piece Volute)
C20, K, T, and P Series Transmission**

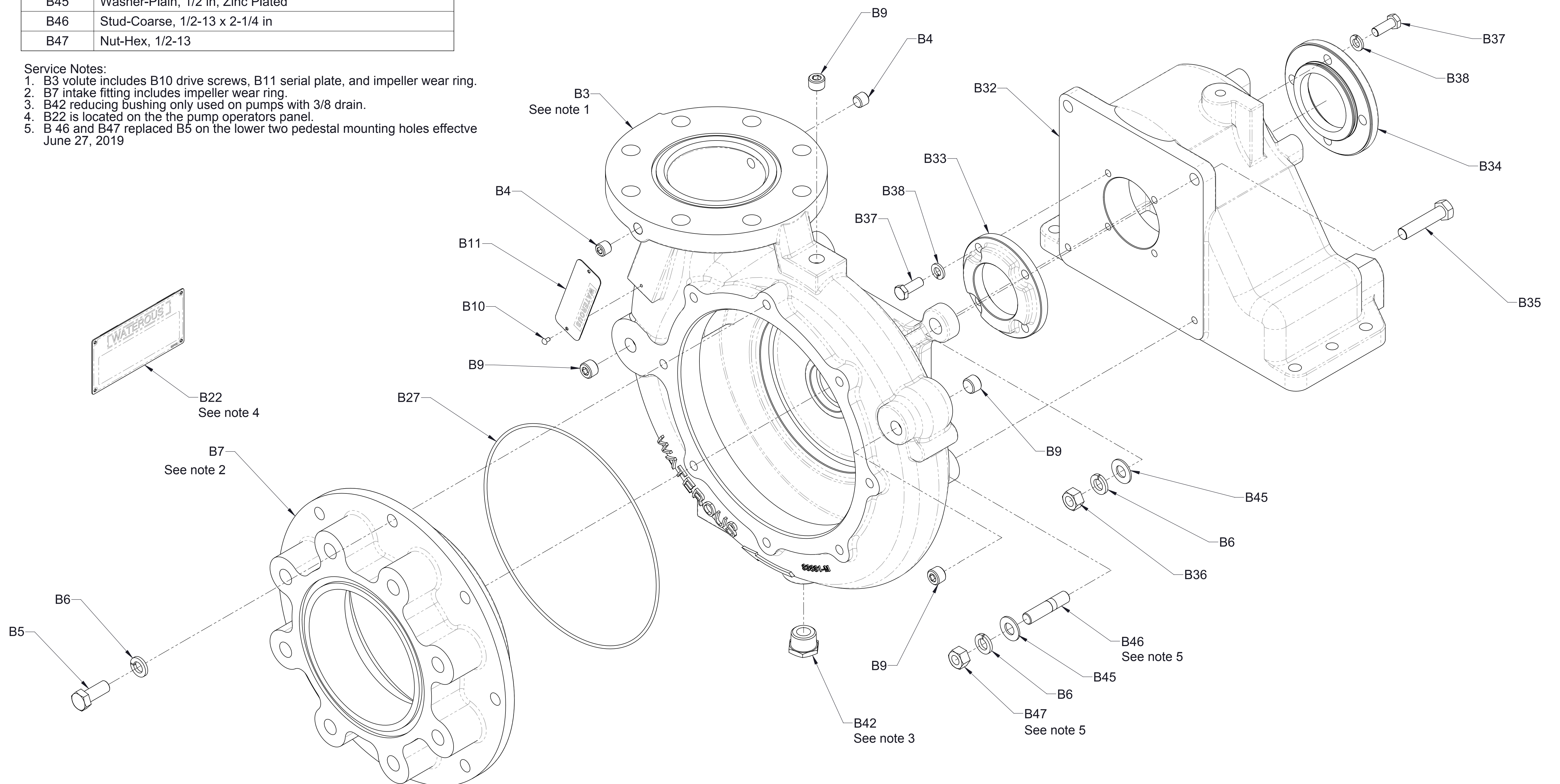
Ref No.	Description
B3	Body-Volute, CW
B4	Plug-Pipe, Headless, 1/4 NPT, Steel
B5	Screw-Hex Hd, 1/2-13 x 1-1/4 in
B6	Washer-Lock, 1/2 in, Zinc Plated
B7	Fitting-Intake, DIN 150 (CXN)
B9	Plug-Pipe, Headless, 3/8 NPT, Steel
B10	Screw-Drive, #6 x 1/4 in
B11	Plate-Serial
B22	Plate-Serial, Operator's Panel
B27	O-Ring, 9-3/4 x 10 in
B32	Cap-Transmission
B33	Housing-Seal, Oil
B34	Housing-Seal, Oil
B35	Screw-Hex Hd, 1/2-20 x 2-1/4 in
B36	Nut-Hex, 1/2-20
B37	Screw-Hex Head, 3/8-16 x 1 in
B38	Washer-Lock, 3/8 in, Zinc Plated
B42	Bushing-Reducing, Pipe, 3/4 x 3/8 NPT, Iron
B45	Washer-Plain, 1/2 in, Zinc Plated
B46	Stud-Coarse, 1/2-13 x 2-1/4 in
B47	Nut-Hex, 1/2-13

Service Notes:

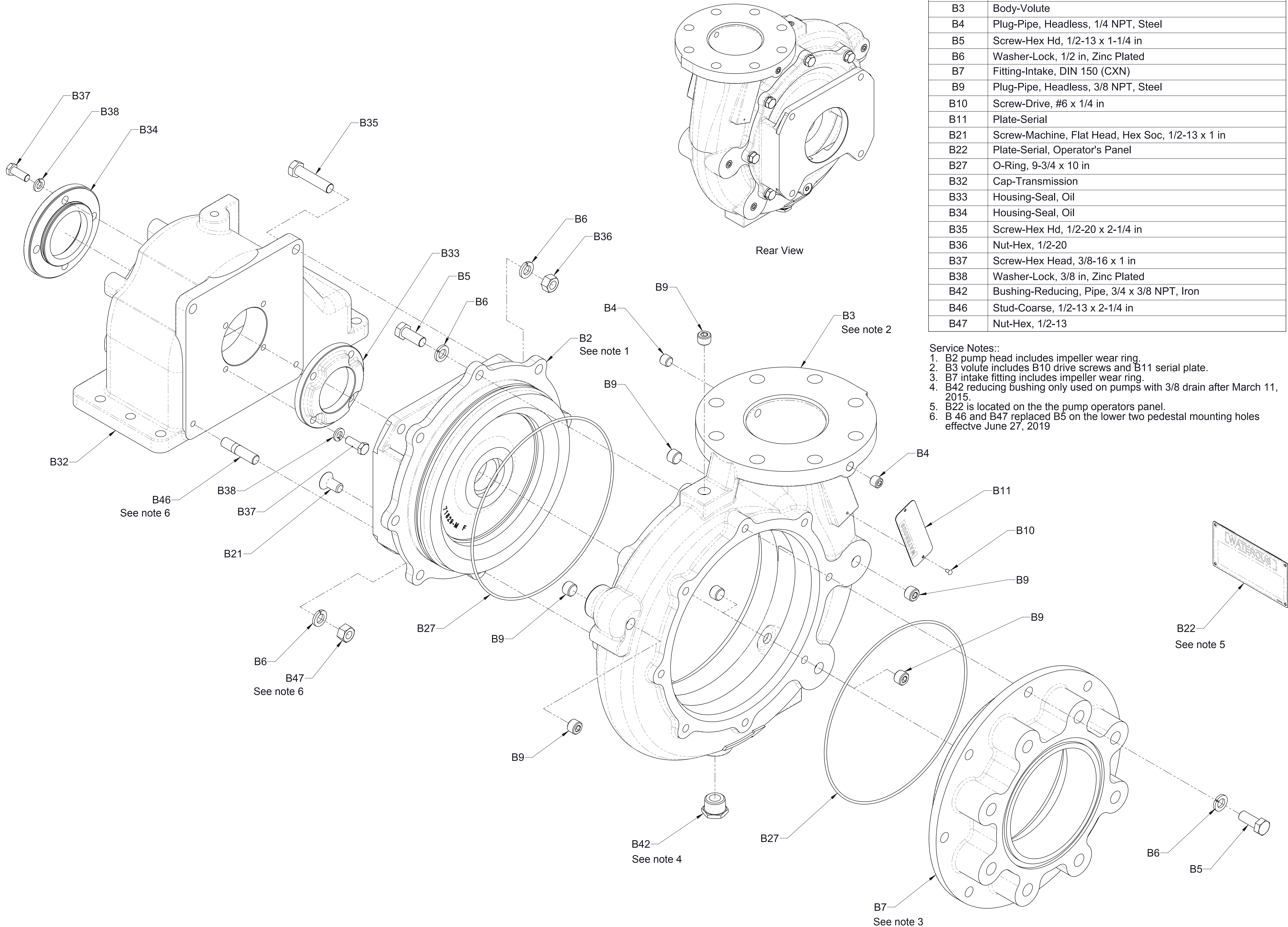
1. B3 volute includes B10 drive screws, B11 serial plate, and impeller wear ring.
2. B7 intake fitting includes impeller wear ring.
3. B42 reducing bushing only used on pumps with 3/8 drain.
4. B22 is located on the the pump operators panel.
5. B 46 and B47 replaced B5 on the lower two pedestal mounting holes effective June 27, 2019



Rear View



**Body and Intake Fitting (One-Piece Volute)
D Series Transmission**



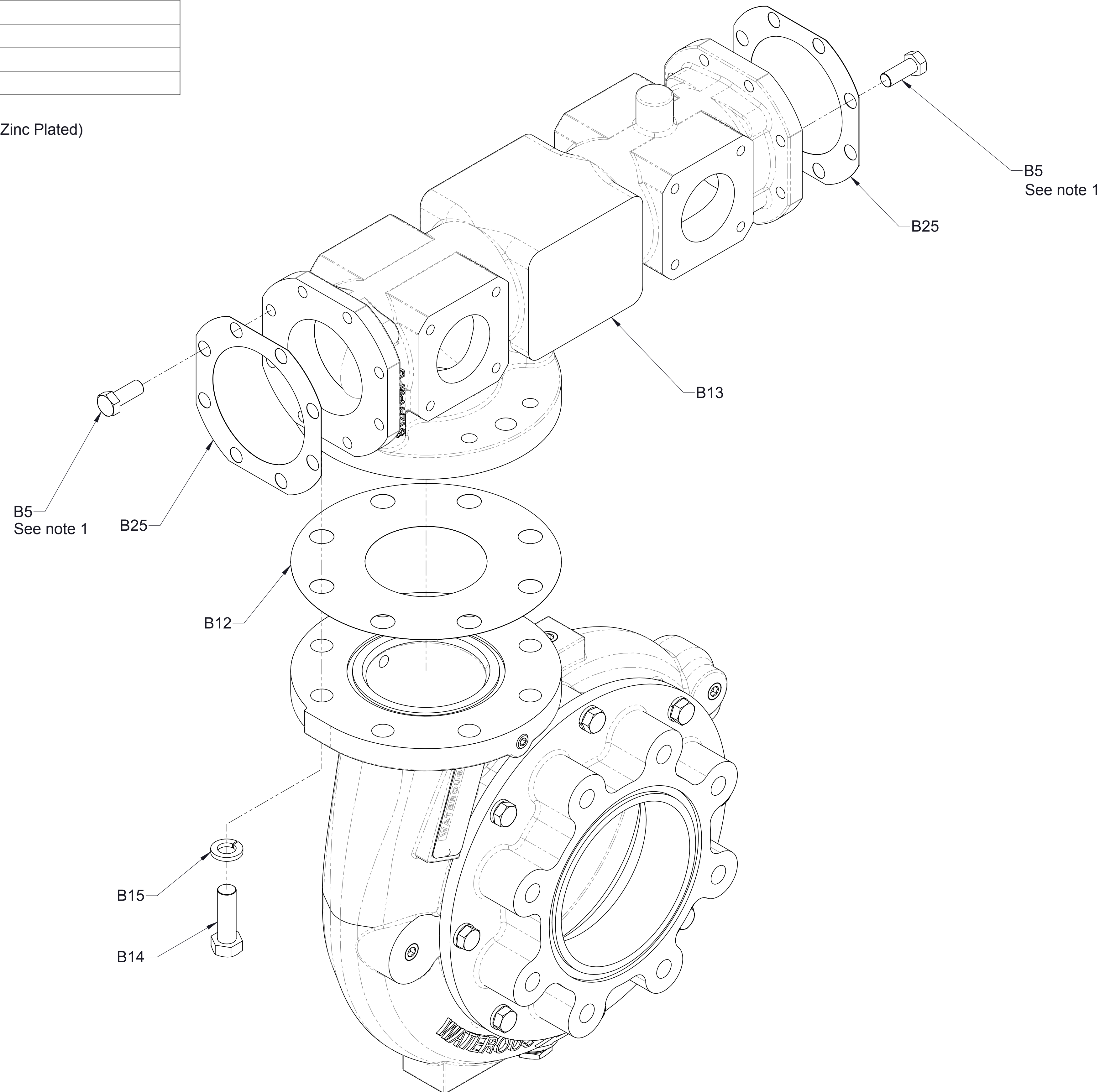
Ref No.	Description
B2	Head-Pump (Mech Seal)
B3	Body-Volute
B4	Plug-Pipe, Headless, 1/4 NPT, Steel
B5	Screw-Hex Hd, 1/2-13 x 1-1/4 in
B6	Washer-Lock, 1/2 in, Zinc Plated
B7	Fitting-Intake, DIN 150 (CXN)
B9	Plug-Pipe, Headless, 3/8 NPT, Steel
B10	Screw-Drive, #6 x 1/4 in
B11	Plate-Serial
B21	Screw-Machine, Flat Head, Hex Soc, 1/2-13 x 1 in
B22	Plate-Serial, Operator's Panel
B27	O-Ring, 9-3/4 x 10 in
B32	Cap-Transmission
B33	Housing-Seal, Oil
B34	Housing-Seal, Oil
B35	Screw-Hex Hd, 1/2-20 x 2-1/4 in
B36	Nut-Hex, 1/2-20
B37	Screw-Hex Head, 3/8-16 x 1 in
B38	Washer-Lock, 3/8 in, Zinc Plated
B42	Bushing-Reducing, Pipe, 3/4 x 3/8 NPT, Iron
B46	Stud-Coarse, 1/2-13 x 2-1/4 in
B47	Nut-Hex, 1/2-13

Service Notes:
 1. B2 pump head includes impeller wear ring.
 2. B3 volute includes B10 drive screws and B11 serial plate.
 3. B7 intake fitting includes impeller wear ring.
 4. B42 reducing bushing only used on pumps with 3/8 drain after March 11, 2015.
 5. B22 is located on the the pump operators panel.
 6. B 46 and B47 replaced B5 on the lower two pedestal mounting holes effective June 27, 2019

**Body and Intake Fitting (Two-Piece Volute)
 D Series Transmission**

Ref No.	Description
B5	Screw-Hex Hd, 1/2-13 x 1-1/4 in
B12	Gasket-Discharge Manifold (CX)
B13	Manifold-Discharge (CX)
B14	Screw-Hex Hd, 5/8-11 x 2 in
B15	Washer-Lock, 5/8 in
B25	Gasket-Flange, 3-1/2, 8-Bolt

Service Note:
 1. B5 was B26 (Screw-Hex Hd, 1/2-13 x 1-1/4 in, Zinc Plated)

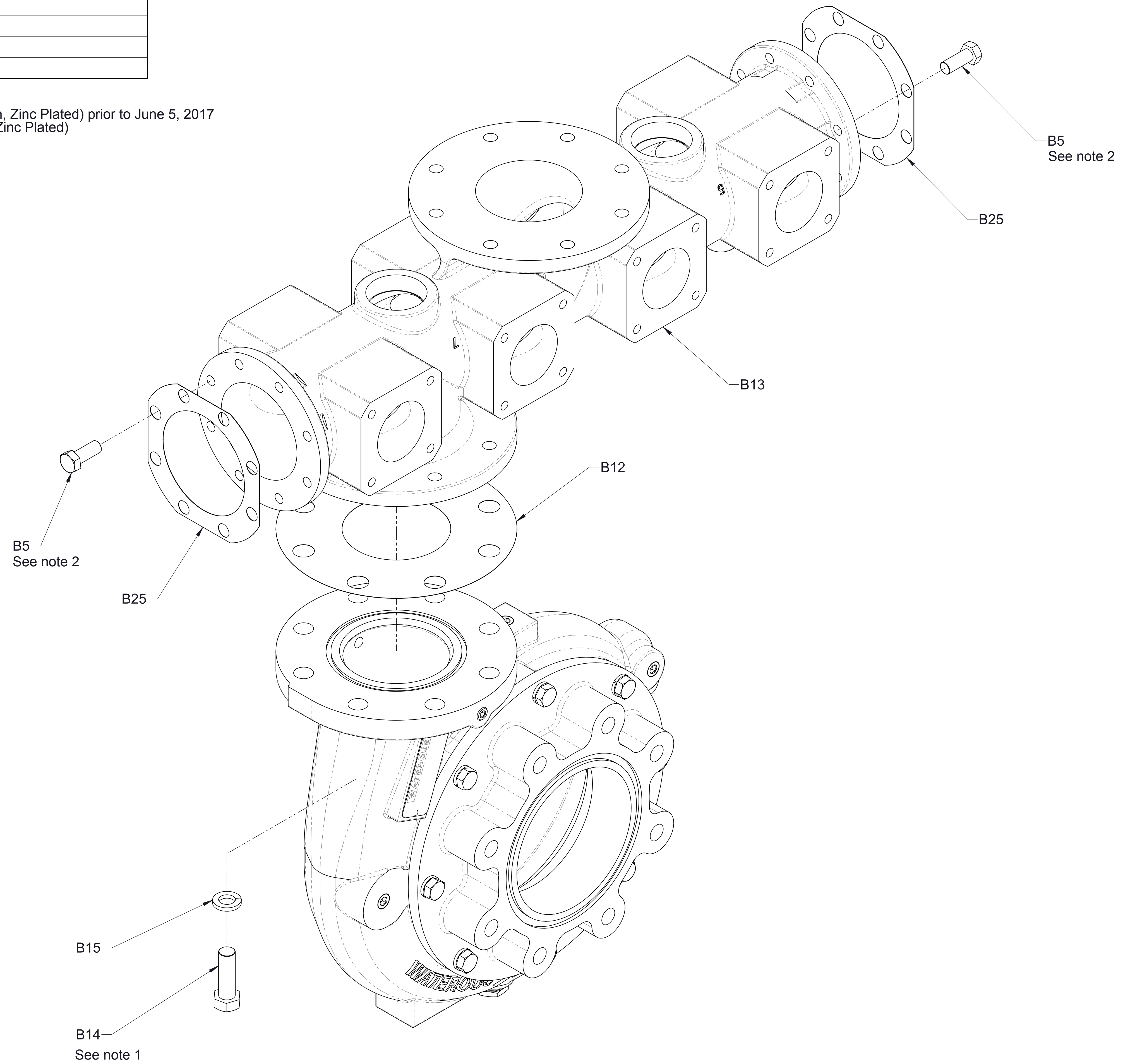


Discharge Manifold With 3-1/2 in. End Flanges

Ref No.	Description
B5	Screw-Hex Hd, 1/2-13 x 1-1/4 in
B12	Gasket-Discharge Manifold (CX)
B13	Manifold-Discharge
B14	Screw-Hex Hd, 5/8-11 x 2 in
B15	Washer-Lock, 5/8 in
B25	Gasket-Flange, 3-1/2, 8-Bolt

Service Notes:

1. B14 was B24 (Screw-Hex Hd, 5/8-11 x 1-3/4 in, Zinc Plated) prior to June 5, 2017
2. B5 was B26 (Screw-Hex Hd, 1/2-13 x 1-1/4 in, Zinc Plated)



**Discharge Manifold
With 4 in. End Flanges**