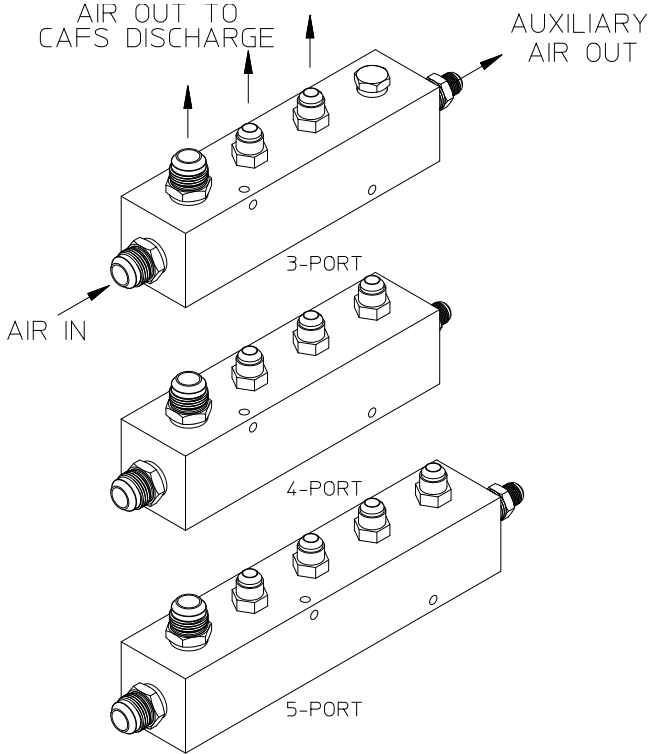


Air Distribution Manifold Service Parts List

Index:

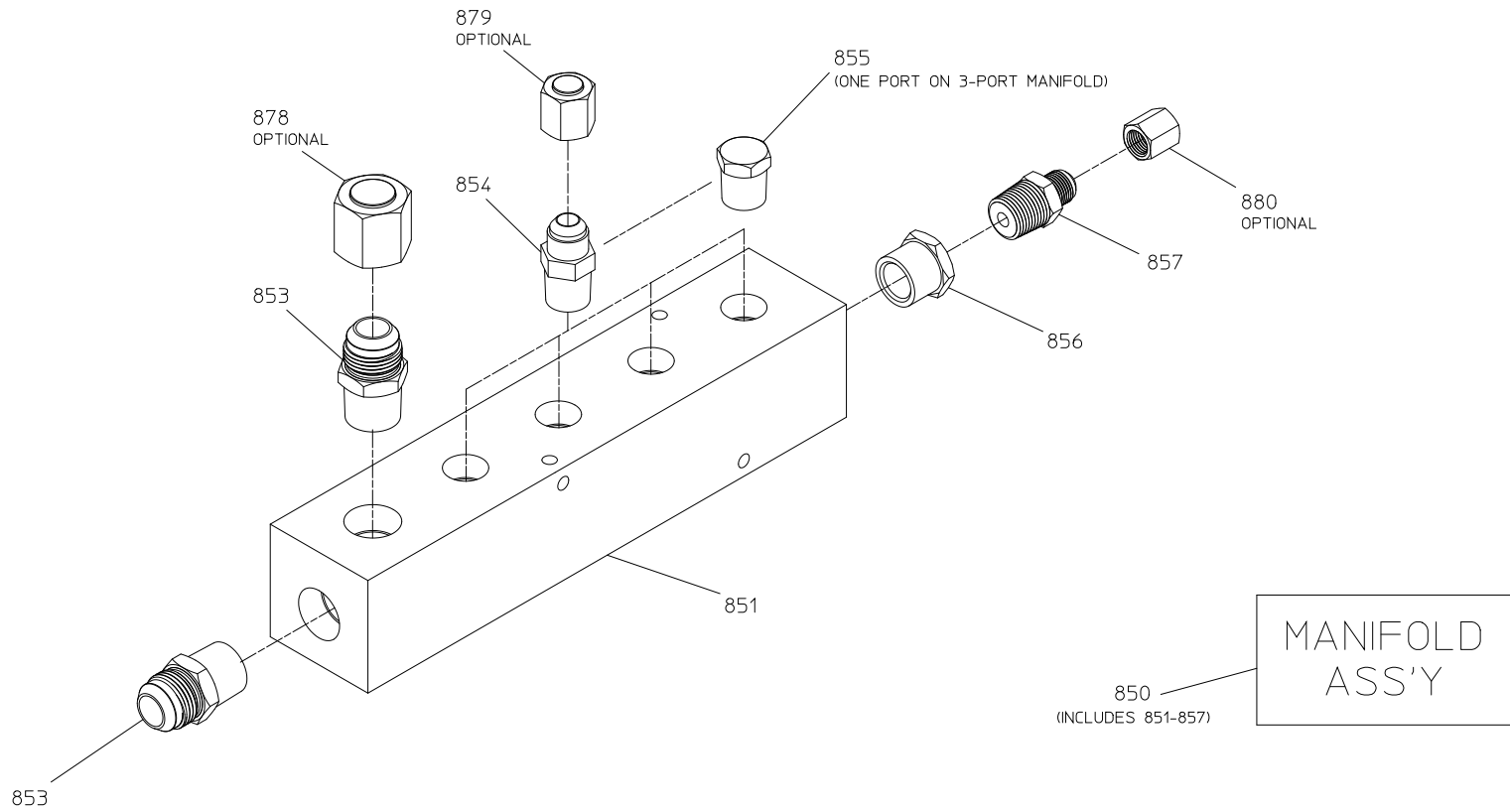


Component		See Pages
Manifold		2, 3
Air Valves	Manual	4, 5
	Electric	
Auxiliary Air Discharge	1/4 in.	6, 7
	3/4 in.	8, 9
Air Inlet Hose and Fittings	Optional from Waterous, may have been furnished by OEM. See Hose Kit Service Parts List.	
CAFS Discharge	Optional from Waterous, may have been furnished by OEM. See ICS Valve Service Parts List for Air Discharge Kit Service Parts List.	

Manifold

REF NO.	DESCRIPTION
850	Manifold Assembly (Includes 851 thru 857)
851	Air Block Manifold
852	Steel Hex Pipe Plug, 3/4 MNPT
853	Straight Adapter, 12 MJIC x 3/4 MNPT
854	Straight Adapter, 8 MJIC x 1/2 MNPT
855	Hex Pipe Plug, 1/2 MNPT

REF NO.	DESCRIPTION
856	Steel Reducing Bushing, 3/4 MNPT x 1/2 FNPT
857	Straight Adapter, 6 MJIC x 1/2 MNPT
878	Cap, 12 JIC (Optional)
879	Cap, 8 JIC (Optional)
880	Cap, 6 JIC (Optional)



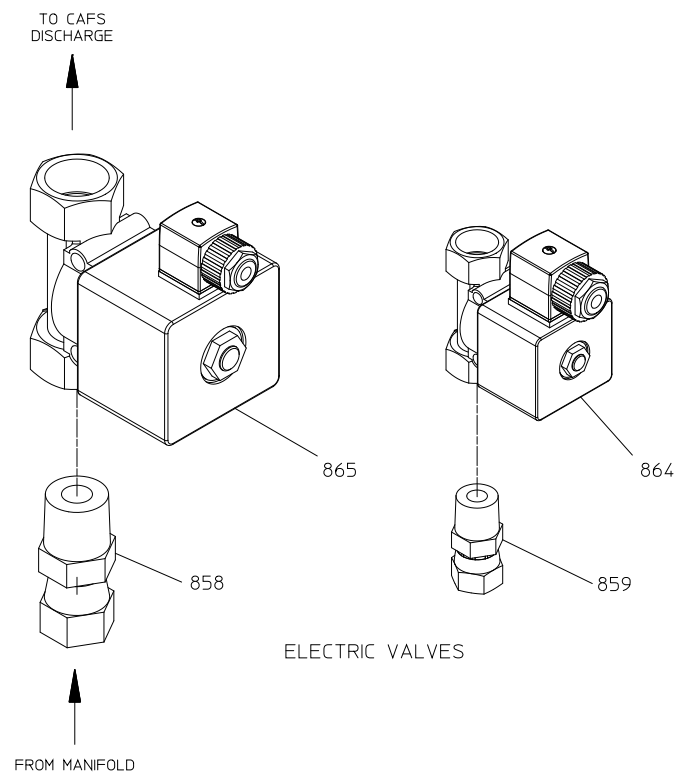
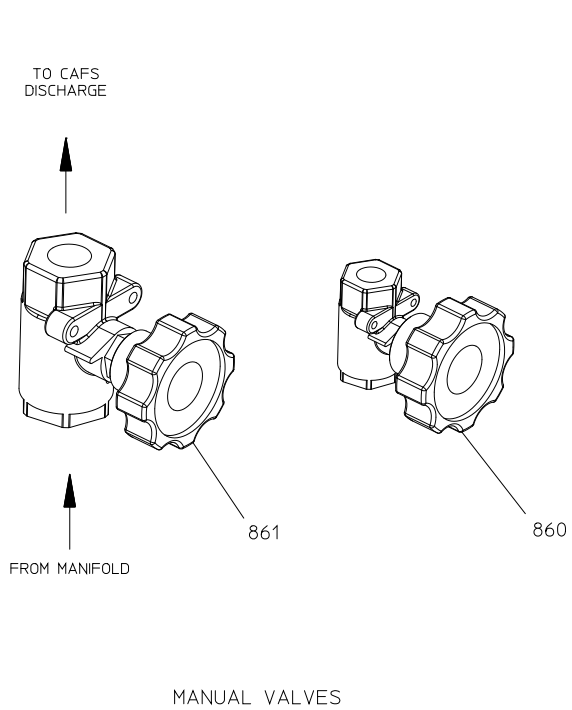
NOTE:
MANIFOLD MOUNTING HARDWARE
FINISHED BY OEM.

MANIFOLD

Air Valves

REF NO.	DESCRIPTION
858	Swivel Adapter, 12 FJIC x 3/4 MNPT
859	Swivel Adapter, 8 FJIC x 1/2 MNPT
860	Round Handle Manual Valve, 1/2 in.

REF NO.	DESCRIPTION
861	Round Handle Manual Valve, 3/4 in.
864	Solenoid Valve, 1/2 in.
865	Solenoid Valve, 3/4 in.



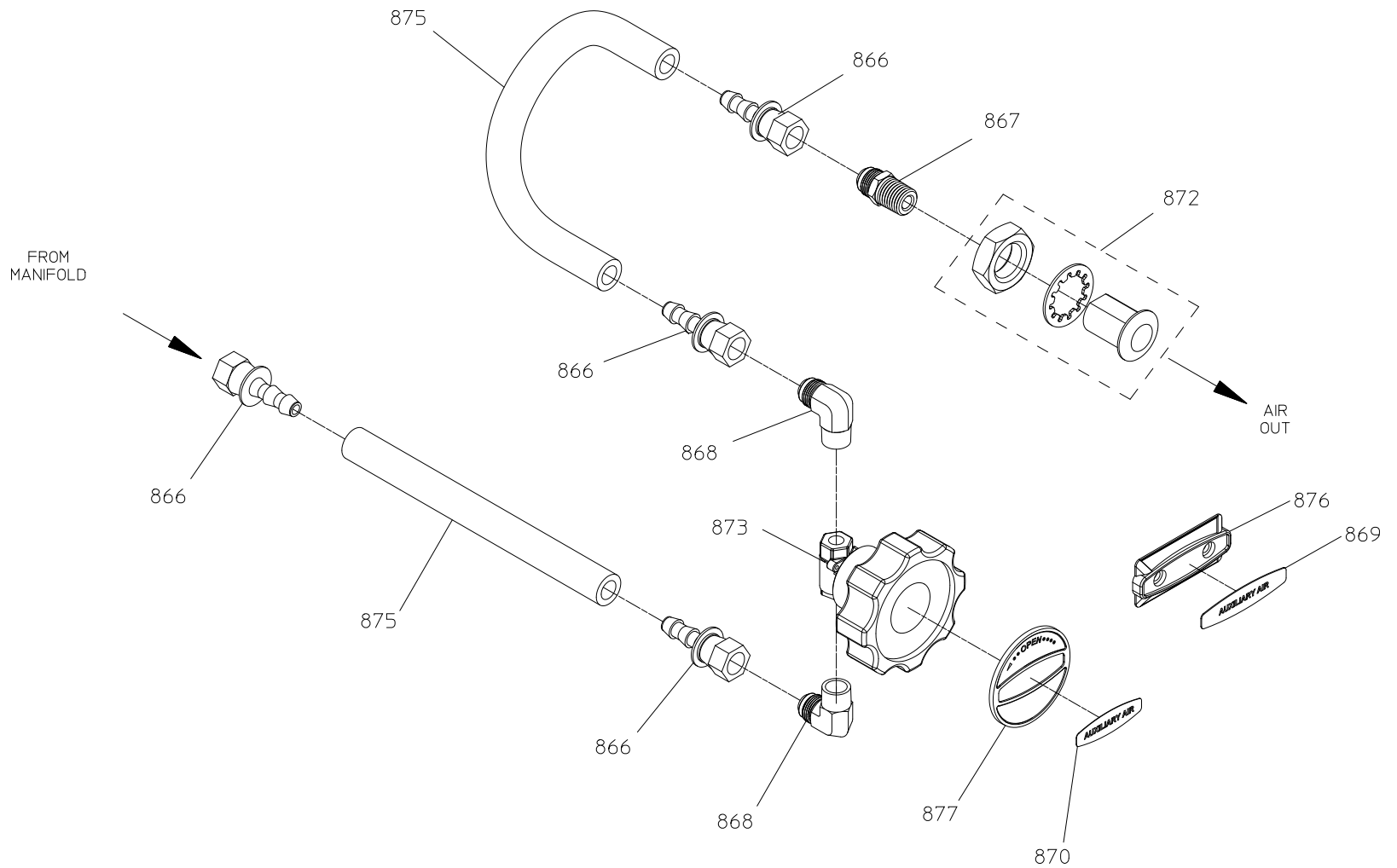
AIR VALVES

NOTE:
 HOSES AND FITTINGS TO CAFS DISCHARGE
 ARE OPTIONAL FROM WATEROUS, MAY HAVE
 BEEN FURNISHED BY OEM.
 SEE ICS VALVE OR AIR DISCHARGE KIT
 SERVICE PARTS LISTS.

Auxiliary Air Discharge, 1/4 in.

REF NO.	DESCRIPTION
866	Hose Barb, 6 FJIC x 3/8 in.
867	Straight Adapter, 6 MJIC x 1/4 MNPT
868	Elbow, 90 Degrees, 6 MJIC x 1/4 MNPT
868	Auxiliary Air Label, B Size
870	Auxiliary Air Label, 2 in. Round
872	Test Plug, 1/4 FNPT

REF NO.	DESCRIPTION
873	Round Handle Ball Valve, 1/4 in.
875	Black Push On Hose, 3/8 in. (Cut to Suit Installation)
876	B Size Bezel, Black
877	2 in. Round Bezel, Black



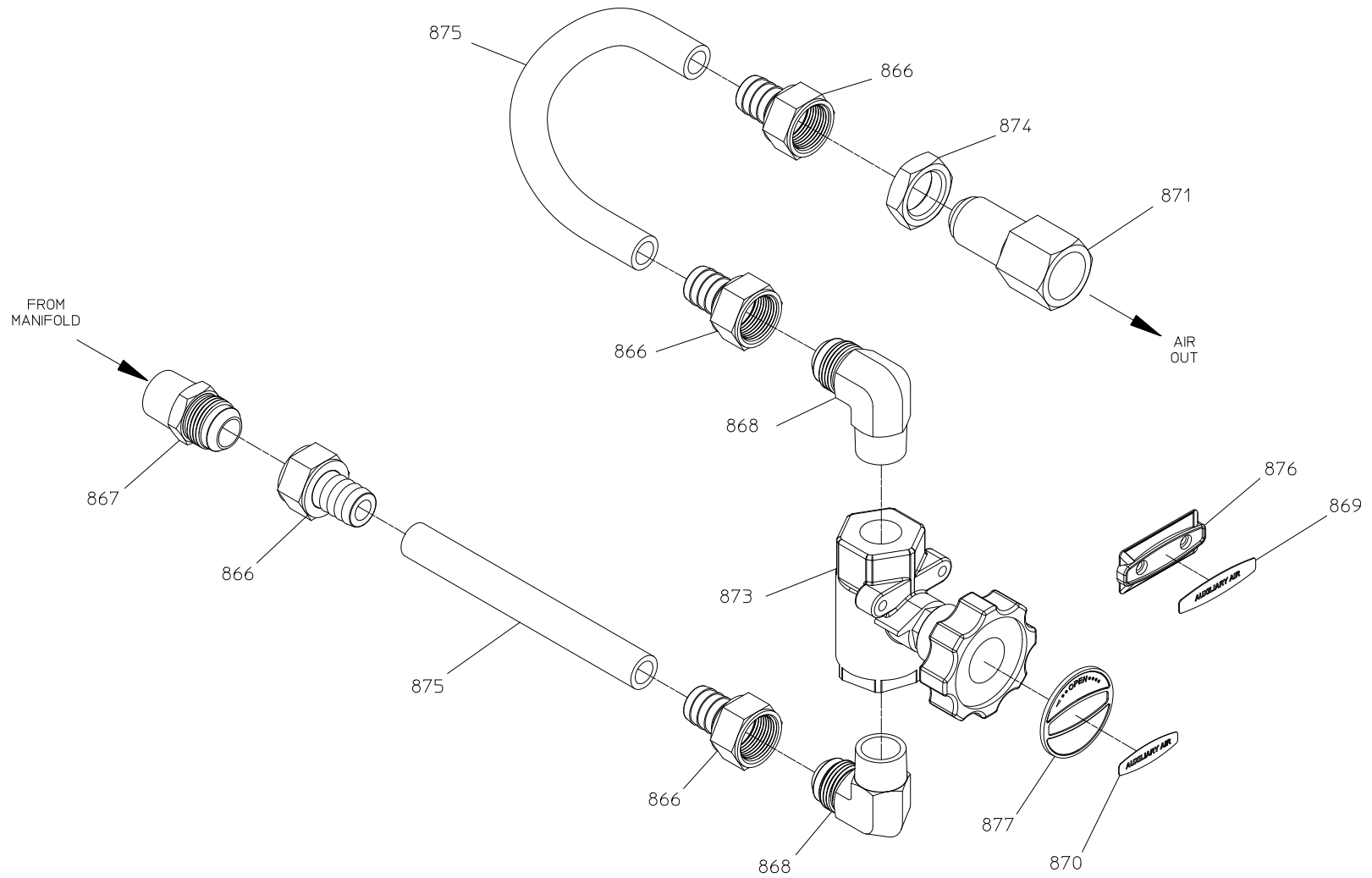
NOTE:
 OPTIONAL FROM WATEROUS, MAY
 HAVE BEEN FINISHED BY OEM.

AUXILIARY AIR DISCHARGE - 1/4 INCH

Auxiliary Air Discharge, 3/4 in.

REF NO.	DESCRIPTION
866	Hose Barb, 12 FJIC x 3/4 in.
867	Straight Adapter, 12 MJIC x 3/4 MNPT
868	Elbow, 90 Degrees, 12 MJIC x 3/4 MNPT
869	Auxiliary Air Label, B Size
870	Auxiliary Air Label, 2 in. Round
873	Round Handle Ball Valve, 3/4 in.

REF NO.	DESCRIPTION
874	Bulkhead Nut, No. 12
875	Black Push On Hose, 3/4 in. (Cut to Suit Installation)
876	B Size Bezel, Black
877	2 in. Round Bezel, Black



NOTE:
 OPTIONAL FROM WATEROUS. MAY
 HAVE BEEN FINISHED BY OEM.

AUXILIARY AIR DISCHARGE - 3/4 INCH