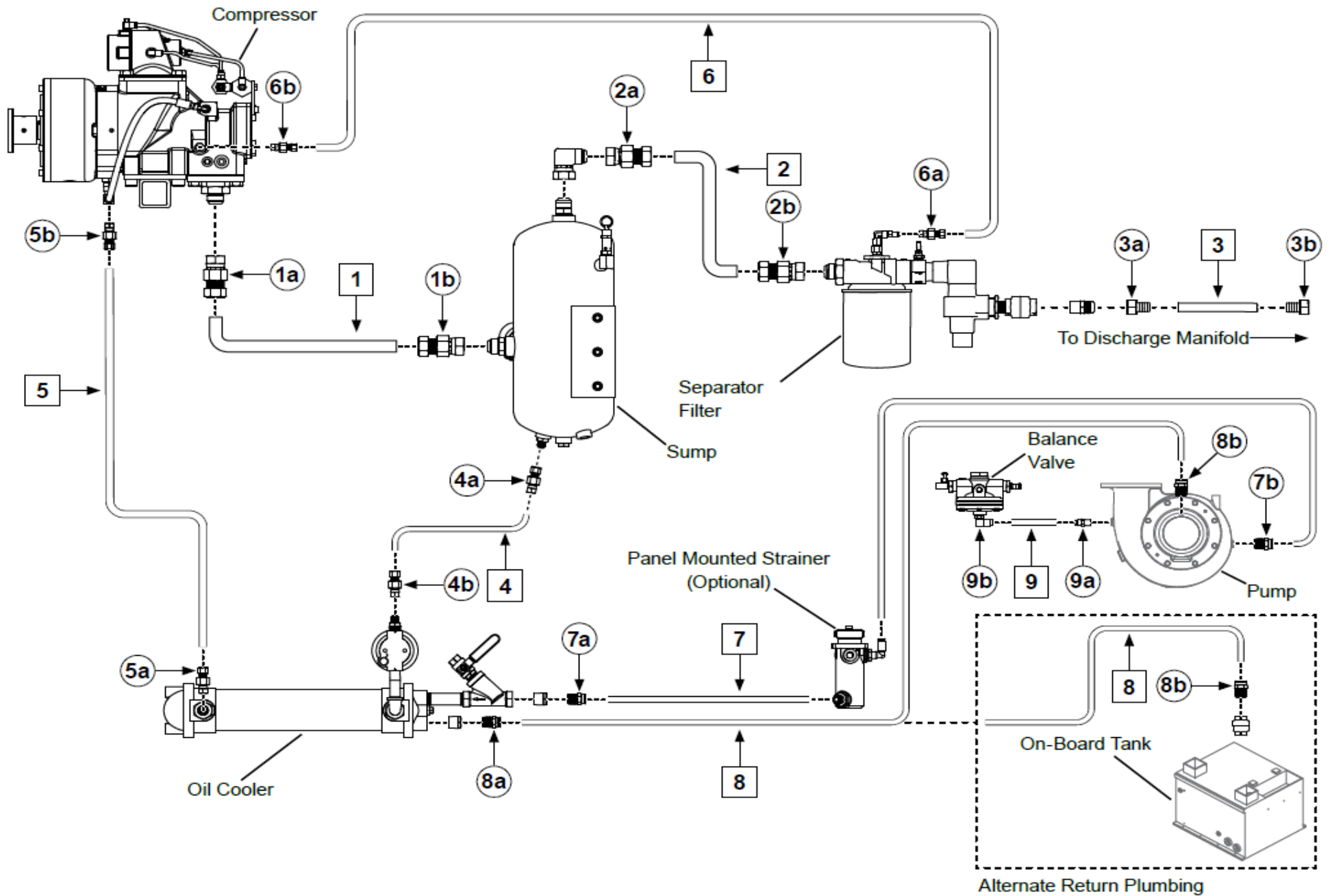


Hose and Fitting Kit and Oil Inject Check Valve Kit Service Parts List

CAF System Ordered										
Stand-alone				With a Pump or PTO						
CAFS Model Ordered	See Pages			Pump Model	Transmission Model	PTO Model	CAFS Model Ordered	See Pages		
	Hose and Fitting Kit		Optional Oil Inject Check Valve					Hoses and Fitting Kit		Optional Oil Inject Check Valve
	Diagram	Component Part Numbers						Diagram	Component Part Numbers	
80-P	2	3	9	CM, CMU CS, CSU	C20B, C20C, C20D C20E, C20F PA	--	150-D 150-ECL	2	7	9
100-B	2	4								
100-ECLB	2	4								
140-P	2	5								
150-ECL	2	6								
200-P	2	6								
250-100-P	2	4								
250-120-P										
500-100-P										
500-120-P										
500-150-P	2	5								
750-100-P	2	4								
750-150-P	2	5								
750-150-ECL	2	4								
1000-100-P	2	5								
1000-150-P	2	5								
1000-150-ECL	2	4								
1250-100-P	2	4								
1250-150-P	2	5								
1250-150-ECL	2	5								
				CXN CXS CXV	C20B, C20C, C20D C20E, C20F	--	150-ESD 150-ESECL Eclipse ES	2	4	
				--	--	TC20B, TC20C TC20D, TC20E TC20F				

Hose and Fitting Diagram



Components for 80 CFM Systems

Hose Run	Connection			Components	Use Fittings		Use Hose or Tubing	
	From	To	Size		Part No.	Description	Part No.	Description
1	1a	--	16 MJIC	Compressor Air Outlet	Q-2063402	Reusable Hose End, 16 FJIC	Q-/9000165	Hydraulic Hose, 1 in.
					Q-/9000665	90° Elbow, 16 MJIC x 16 FJIC (Use Optional)		
	--	1b	16 MJIC	Sump Air Inlet	Q-2063402	Reusable Hose End, 16 FJIC	Q-/9000165	Hydraulic Hose, 1 in.
					Q-/9000665	90° Elbow, 16 MJIC x 16 FJIC (Use Optional)		
2	2a	--	16 MJIC	Sump Air Outlet	Q-2063402	Reusable Hose End, 16 FJIC	Q-/9000165	Hydraulic Hose, 1 in.
					Q-/9000665	90° Elbow, 16 MJIC x 16 FJIC (Use Optional)		
	--	2b	16 MJIC	Separator Filter Air Inlet	Q-2063402	Reusable Hose End, 16 FJIC	Q-/9000165	Hydraulic Hose, 1 in.
					Q-/9000665	90° Elbow, 16 MJIC x 16 FJIC (Use Optional)		
3	3a	--	3/4 FNPT	Separator Filter Air Outlet	Q-2050124	Straight Adapter, PTC, 3/4 MNPT x 3/4 AB	Q-/9000443	Push On Hose, 3/4 in., Black
					Q-/9000055	Hose Barb, 12 FJIC x 3/4 in.		
	--	3b	12 MJIC	CAF Discharges	Q-/9000055	Hose Barb, 12 FJIC x 3/4 in.		
4	4a	--	6 MJIC	Sump Oil Outlet	Q-/9000034	Reusable Hose End, 6 FJIC	Q-/9000412	Hydraulic Hose, 3/8 in.
					Q-/9000669	90° Elbow, 6 MJIC x 6 FJIC (Use Optional)		
	--	4b	6 MJIC	Oil Cooler Oil Inlet (Oil Filter)	Q-/9000034	Reusable Hose End, 6 FJIC	Q-/9000412	Hydraulic Hose, 3/8 in.
					Q-/9000669	90° Elbow, 6 MJIC x 6 FJIC (Use Optional)		
5	5a	--	6 MJIC	Oil Cooler Oil Outlet	Q-/9000034	Reusable Hose End, 6 FJIC	Q-/9000412	Hydraulic Hose, 3/8 in.
					Q-/9000669	90° Elbow, 6 MJIC x 6 FJIC (Use Optional)		
	--	5b	6 MJIC	Compressor Oil Inlet	Q-/9000034	Reusable Hose End, 6 FJIC	Q-/9000412	Hydraulic Hose, 3/8 in.
					Q-/9000669	90° Elbow, 6 MJIC x 6 FJIC (Use Optional)		
6	6a	--	4 MJIC	Separator Filter Scavenged Oil Outlet	Q-/9000963	Reusable Hose End, 4 FJIC	Q-/9000374	Hydraulic Hose, 1/4 in.
				Compressor Scavenged Oil Inlet	Q-/9000963	Reusable Hose End, 4 FJIC	Q-/9000374	Hydraulic Hose, 1/4 in.
	--	6b	4 MJIC		Q-/9000668	90° Elbow, 4 MJIC x 4 FJIC (Use Optional)		
7	7a	--	1/2 FNPT	Oil Cooler Water from Fire Pump	Q-/9001117	Straight Adapter, PTC, 1/2 MNPT x 1/2 AB	Q-/9000788	Air Brake Tubing, 1/2 in., Red
				Oil Cooler Water Inlet	Q-/9000253	Reducing Bushing, 3/4 MNPT x 1/2 FNPT	Q-/9000788	Air Brake Tubing, 1/2 in., Red
	--	7b	3/4 FNPT		Q-/9001117	Straight Adapter, PTC, 1/2 MNPT x 1/2 AB		
8	8a	--	3/4 FNPT	Oil Cooler Water Outlet	Q-/9000253	Reducing Bushing, 3/4 MNPT x 1/2 FNPT	Q-/9000788	Air Brake Tubing, 1/2 in., Red
				Water Return to Fire Pump Intake	Q-/9001117	Straight Adapter, PTC, 1/2 MNPT x 1/2 AB		
	--	8b	1/2 FNPT		Water Return to a Tank	Q-/9001117	Straight Adapter, PTC, 1/2 MNPT x 1/2 AB	Q-/9000788
				1/2 in. Check Valve furnished with Compressor				
9	9a	--	1/4 FNPT	Balance Valve from Fire Pump	Q-/9200101	Straight Adapter, PTC, 1/4 MNPT x 1/4 AB	Q-/9000780	Air Brake Tubing, 1/4 in., Orange
		--	9b	1/4 PTC	Balance Valve Water Inlet	Connect to Fitting on Balance Valve		

Components for 100 and 120 CFM Systems

Hose Run	Connection			Components	Use Fittings		Use Hose or Tubing	
	From	To	Size		Part No.	Description	Part No.	Description
1	1a	--	16 MJIC	Compressor Air Outlet	Q-2063402	Reusable Hose End, 16 FJIC	Q-/9000165	Hydraulic Hose, 1 in.
					Q-/9000665	90° Elbow, 16 MJIC x 16 FJIC (Use Optional)		
	--	1b	16 MJIC	Sump Air Inlet	Q-2063402	Reusable Hose End, 16 FJIC		
					Q-/9000665	90° Elbow, 16 MJIC x 16 FJIC (Use Optional)		
2	2a	--	16 MJIC	Sump Air Outlet	Q-2063402	Reusable Hose End, 16 FJIC	Q-/9000165	Hydraulic Hose, 1 in.
					Q-/9000665	90° Elbow, 16 MJIC x 16 FJIC (Use Optional)		
	--	2b	16 MJIC	Separator Filter Air Inlet	Q-2063402	Reusable Hose End, 16 FJIC		
					Q-/9000665	90° Elbow, 16 MJIC x 16 FJIC (Use Optional)		
3	3a	--	3/4 FNPT	Separator Filter Air Outlet	Q-2050124	Straight Adapter, PTC, 3/4 MNPT x 3/4 AB	Q-/9000443	Push On Hose, 3/4 in., Black
					Q-/9000055	Hose Barb, 12 FJIC x 3/4 in.		
	--	3b	12 MJIC	CAF Discharges	Q-/9000055	Hose Barb, 12 FJIC x 3/4 in.		
4	4a	--	8 MJIC	Sump Oil Outlet	Q-/9000979	Reusable Hose End, 8 FJIC	Q-/9000468	Hydraulic Hose, 1/2 in.
					Q-/9000670	90° Elbow, 8 MJIC x 8 FJIC (Use Optional)		
	--	4b	8 MJIC	Oil Cooler Oil Inlet (Oil Filter)	Q-/9000979	Reusable Hose End, 8 FJIC		
					Q-/9000670	90° Elbow, 8 MJIC x 8 FJIC (Use Optional)		
5	5a	--	8 MJIC	Oil Cooler Oil Outlet	Q-/9000979	Reusable Hose End, 8 FJIC	Q-/9000468	Hydraulic Hose, 1/2 in.
					Q-/9000670	90° Elbow, 8 MJIC x 8 FJIC (Use Optional)		
	--	5b	8 MJIC	Compressor Oil Inlet	Q-/9000979	Reusable Hose End, 8 FJIC		
					Q-/9000670	90° Elbow, 8 MJIC x 8 FJIC (Use Optional)		
6	6a	--	4 MJIC	Separator Filter Scavaged Oil Outlet	Q-/9000963	Reusable Hose End, 4 FJIC	Q-/9000374	Hydraulic Hose, 1/4 in.
					Q-/9000963	Reusable Hose End, 4 FJIC		
	--	6b	4 MJIC	Compressor Scavaged Oil Inlet	Q-/9000668	90° Elbow, 4 MJIC x 4 FJIC (Use Optional)		
7	7a	--	1/2 FNPT	Oil Cooler Water from Fire Pump	Q-/9001117	Straight Adapter, PTC, 1/2 MNPT x 1/2 AB	Q-/9000788	Air Brake Tubing, 1/2 in., Red
					Q-/9000253	Reducing Bushing, 3/4 MNPT x 1/2 FNPT		
	--	7b	3/4 FNPT	Oil Cooler Water Inlet	Q-/9001117	Straight Adapter, PTC, 1/2 MNPT x 1/2 AB		
8	8a	--	3/4 FNPT	Oil Cooler Water Outlet	Q-/9000253	Reducing Bushing, 3/4 MNPT x 1/2 FNPT	Q-/9000788	Air Brake Tubing, 1/2 in., Red
					Q-/9001117	Straight Adapter, PTC, 1/2 MNPT x 1/2 AB		
	--	8b	1/2 FNPT	Water Return to Fire Pump Intake	Q-/9001117	Straight Adapter, PTC, 1/2 MNPT x 1/2 AB		
					Q-/9001117	Straight Adapter, PTC, 1/2 MNPT x 1/2 AB		
			1/2 in. Check Valve furnished with Compressor					
9*	9a	--	1/4 FNPT	Balance Valve from Fire Pump	Q-/9200101	Straight Adapter, PTC, 1/4 MNPT x 1/4 AB	Q-/9000780	Air Brake Tubing, 1/4 in., Orange
	--	9b	1/4 PTC	Balance Valve Water Inlet	Connect to Fitting on Balance Valve			

* Balance Valve not used with Eclipse GEN 2.0 Generated CAF System Model 100-ECLB.

Components for 100, 120 and 150 CFM Systems

Hose Run	Connection			Components	Use Fittings		Use Hose or Tubing				
	From	To	Size		Part No.	Description	Part No.	Description			
1	1a	--	24 MJIC	Compressor Air Outlet	Q-2060003	Reusable Hose End, 24 FJIC	Q-/9000839	Hydraulic Hose, No. 24 (1-3/8 in.)			
					Q-2062601	90° Elbow, 24 MJIC x 24 FJIC (Use Optional)					
	--	1b	24 MJIC	Sump Air Inlet	Q-2060003	Reusable Hose End, 24 FJIC					
					Q-2062601	90° Elbow, 24 MJIC x 24 FJIC (Use Optional)					
2	2a	--	24 MJIC	Sump Air Outlet	Q-2060003	Reusable Hose End, 24 FJIC	Q-/9000839	Hydraulic Hose, No. 24 (1-3/8 in.)			
					Q-2062601	90° Elbow, 24 MJIC x 24 FJIC (Use Optional)					
	--	2b	24 MJIC	Separator Filter Air Inlet	Q-2060003	Reusable Hose End, 24 FJIC					
					Q-2062601	90° Elbow, 24 MJIC x 24 FJIC (Use Optional)					
3	3a	--	3/4 FNPT	Separator Filter Air Outlet	Q-2050124	Straight Adapter, PTC, 3/4 MNPT x 3/4 AB	Q-/9000443	Push On Hose, 3/4 in., Black			
					Q-/9000055	Hose Barb, 12 FJIC x 3/4 in.					
	--	3b	12 MJIC	CAF Discharges	Q-/9000055	Hose Barb, 12 FJIC x 3/4 in.					
4	4a	--	8 MJIC	Sump Oil Outlet	Q-/9000979	Reusable Hose End, 8 FJIC	Q-/9000468	Hydraulic Hose, 1/2 in.			
					Q-/9000670	90° Elbow, 8 MJIC x 8 FJIC (Use Optional)					
	--	4b	8 MJIC	Oil Cooler Oil Inlet (Oil Filter)	Q-/9000979	Reusable Hose End, 8 FJIC					
					Q-/9000670	90° Elbow, 8 MJIC x 8 FJIC (Use Optional)					
5	5a	--	8 MJIC	Oil Cooler Oil Outlet	Q-/9000979	Reusable Hose End, 8 FJIC	Q-/9000468	Hydraulic Hose, 1/2 in.			
					Q-/9000670	90° Elbow, 8 MJIC x 8 FJIC (Use Optional)					
	--	5b	8 MJIC	Compressor Oil Inlet	Q-/9000979	Reusable Hose End, 8 FJIC					
					Q-/9000670	90° Elbow, 8 MJIC x 8 FJIC (Use Optional)					
6	6a	--	4 MJIC	Separator Filter Scavenged Oil Outlet	Q-/9000963	Reusable Hose End, 4 FJIC	Q-/9000374	Hydraulic Hose, 1/4 in.			
					Q-/9000668	90° Elbow, 4 MJIC x 4 FJIC (Use Optional)					
	--	6b	4 MJIC	Compressor Scavenged Oil Inlet	Q-/9000963	Reusable Hose End, 4 FJIC					
					Q-/9000668	90° Elbow, 4 MJIC x 4 FJIC (Use Optional)					
7	7a	--	1/2 FNPT	Oil Cooler Water from Fire Pump	Q-/9001128	Straight Adapter, PTC, 1/2 MNPT x 5/8 AB	Q-/9000789	Air Brake Tubing, 5/8 in., Black			
					--	7b			1 FNPT	Oil Cooler Water Inlet	In-Line Strainer
	Panel Strainer	Q-/9001128	Straight Adapter, PTC, 1/2 MNPT x 5/8 AB								
		Q-8050027	Reducing Bushing, 1 in. MNPT x 1/2 FNPT								
	Q-/9001128	Straight Adapter, PTC, 1/2 MNPT x 5/8 AB									
	8	8a	--	1 FNPT	Oil Cooler Water Outlet	In-Line Strainer			Q-8050027	Reducing Bushing, 1 in. MNPT x 1/2 FNPT	Q-/9000789
Panel Strainer						Q-/9001128	Straight Adapter, PTC, 1/2 MNPT x 5/8 AB				
						Q-8050027	Reducing Bushing, 1 in. MNPT x 1/2 FNPT				
Q-/9001117						Straight Adapter, PTC, 1/2 MNPT x 1/2 AB					
--		8b	1/2 FNPT	Water Return to Fire Pump Intake	In-Line Strainer	Q-/9001128	Straight Adapter, PTC, 1/2 MNPT x 5/8 AB	Q-/9000789	Air Brake Tubing, 5/8 in., Black		
					Panel Strainer	Q-/9001117	Straight Adapter, PTC, 1/2 MNPT x 1/2 AB				
	Q-/9001128					Straight Adapter, PTC, 1/2 MNPT x 5/8 AB					
	Q-/9001117				Straight Adapter, PTC, 1/2 MNPT x 1/2 AB						
--	8b	1/2 FNPT	Water Return to a Tank	In-Line Strainer	Q-/9001128	Straight Adapter, PTC, 1/2 MNPT x 5/8 AB	Q-/9000789	Air Brake Tubing, 5/8 in., Black			
				Panel Strainer	Q-/9001117	Straight Adapter, PTC, 1/2 MNPT x 1/2 AB					
					Q-/9001128	Straight Adapter, PTC, 1/2 MNPT x 5/8 AB					
				1/2 in. Check Valve furnished with Compressor	--	--					
9*	9a	--	1/4 FNPT	Balance Valve from Fire Pump	Q-/9200101	Straight Adapter, PTC, 1/4 MNPT x 1/4 AB	Q-/9000780	Air Brake Tubing, 1/4 in., Orange			
	--	9b	1/4 PTC	Balance Valve Water Inlet	Connect to Fitting on Balance Valve						

* Balance Valve not used with Eclipse GEN 2.0 Generated CAF System Models 150-ECL and 150-ESECL.

Components for 200 CFM Systems

Hose Run	Connection			Components	Use Fittings		Use Hose or Tubing			
	From	To	Size		Part No.	Description	Part No.	Description		
1	1a	--	24 MJIC	Compressor Air Outlet	Q-2060003	Reusable Hose End, 24 FJIC	Q-/9000839	Hydraulic Hose, No. 24 (1-3/8 in.)		
					Q-2062601	90° Elbow, 24 MJIC x 24 FJIC (Use Optional)				
	--	1b	24 MJIC	Sump Air Inlet	Q-2060003	Reusable Hose End, 24 FJIC	Q-/9000839	Hydraulic Hose, No. 24 (1-3/8 in.)		
					Q-2062601	90° Elbow, 24 MJIC x 24 FJIC (Use Optional)				
2	2a	--	24 MJIC	Sump Air Outlet	Q-2060003	Reusable Hose End, 24 FJIC	Q-/9000839	Hydraulic Hose, No. 24 (1-3/8 in.)		
					Q-2062601	90° Elbow, 24 MJIC x 24 FJIC (Use Optional)				
	--	2b	24 MJIC	Separator Filter Air Inlet	Q-2060003	Reusable Hose End, 24 FJIC	Q-/9000839	Hydraulic Hose, No. 24 (1-3/8 in.)		
					Q-2062601	90° Elbow, 24 MJIC x 24 FJIC (Use Optional)				
3	3a	--	1 FNPT	Separator Filter Air Outlet	Q-8050026	Bushing-Reducing, 1 MNPT x 3/4 FNPT	Q-/9000443	Push On Hose, 3/4 in., Black		
					Q-2050124	Straight Adapter, PTC, 3/4 MNPT x 3/4 AB				
					Q-/9000055	Hose Barb, 12 FJIC x 3/4 in.				
	--	3b	12 MJIC	CAF Discharges	Q-/9000055	Hose Barb, 12 FJIC x 3/4 in.				
4	4a	--	8 MJIC	Sump Oil Outlet	Q-/9000979	Reusable Hose End, 8 FJIC	Q-/9000468	Hydraulic Hose, 1/2 in.		
					Q-/9000670	90° Elbow, 8 MJIC x 8 FJIC (Use Optional)				
	--	4b	8 MJIC	Oil Cooler Oil Inlet (Oil Filter)	Q-/9000979	Reusable Hose End, 8 FJIC	Q-/9000468	Hydraulic Hose, 1/2 in.		
					Q-/9000670	90° Elbow, 8 MJIC x 8 FJIC (Use Optional)				
5	5a	--	8 MJIC	Oil Cooler Oil Outlet	Q-/9000979	Reusable Hose End, 8 FJIC	Q-/9000468	Hydraulic Hose, 1/2 in.		
					Q-/9000670	90° Elbow, 8 MJIC x 8 FJIC (Use Optional)				
	--	5b	8 MJIC	Compressor Oil Inlet	Q-/9000979	Reusable Hose End, 8 FJIC	Q-/9000468	Hydraulic Hose, 1/2 in.		
					Q-/9000670	90° Elbow, 8 MJIC x 8 FJIC (Use Optional)				
6	6a	--	4 MJIC	Separator Filter Scavaged Oil Outlet	Q-/9000963	Reusable Hose End, 4 FJIC	Q-/9000374	Hydraulic Hose, 1/4 in.		
	--	6b	4 MJIC	Compressor Scavaged Oil Inlet	Q-/9000963	Reusable Hose End, 4 FJIC	Q-/9000374	Hydraulic Hose, 1/4 in.		
					Q-/9000668	90° Elbow, 4 MJIC x 4 FJIC (Use Optional)				
7	7a	--	1/2 FNPT	Oil Cooler Water from Fire Pump	Q-/9001128	Straight Adapter, PTC, 1/2 MNPT x 5/8 AB	Q-/9000789	Air Brake Tubing, 5/8 in., Black		
	--	7b	1 FNPT	Oil Cooler Water Inlet	In-Line Strainer	Q-8050027	Reducing Bushing, 1 in. MNPT x 1/2 FNPT	Q-/9000789	Air Brake Tubing, 5/8 in., Black	
					Panel Strainer	Q-/9001128	Straight Adapter, PTC, 1/2 MNPT x 5/8 AB			
						Q-8050027	Reducing Bushing, 1 in. MNPT x 1/2 FNPT			
Q-/9001128	Straight Adapter, PTC, 1/2 MNPT x 5/8 AB									
8	8a	--	1 FNPT	Oil Cooler Water Outlet	In-Line Strainer	Q-8050027	Reducing Bushing, 1 in. MNPT x 1/2 FNPT	Q-/9000789	Air Brake Tubing, 5/8 in., Black	
					Panel Strainer	Q-/9001128	Straight Adapter, PTC, 1/2 MNPT x 5/8 AB			
						Q-8050027	Reducing Bushing, 1 in. MNPT x 1/2 FNPT			
					Q-/9001117	Straight Adapter, PTC, 1/2 MNPT x 1/2 AB				
	--	8b	1/2 FNPT	Water Return to Fire Pump Intake	In-Line Strainer	Q-/9001128	Straight Adapter, PTC, 1/2 MNPT x 5/8 AB	Q-/9000789	Air Brake Tubing, 5/8 in., Black	
					Panel Strainer	Q-/9001117	Straight Adapter, PTC, 1/2 MNPT x 1/2 AB	Q-/9000788	Air Brake Tube, 1/2 in. Red	
					Water Return to a Tank	In-Line Strainer	Q-/9001128	Straight Adapter, PTC, 1/2 MNPT x 5/8 AB	Q-/9000789	Air Brake Tubing, 5/8 in., Black
						Panel Strainer	Q-/9001117	Straight Adapter, PTC, 1/2 MNPT x 1/2 AB	Q-/9000788	Air Brake Tube, 1/2 in. Red
			Either Strainer	1/2 in. Check Valve furnished with Compressor		--	--			
9	9a	--	1/4 FNPT	Balance Valve from Fire Pump	Q-/9200101	Straight Adapter, PTC, 1/4 MNPT x 1/4 AB	Q-/9000780	Air Brake Tubing, 1/4 in., Orange		
	--	9b	1/4 PTC	Balance Valve Water Inlet	Connect to Fitting on Balance Valve					

Components for 150 CFM Systems as used on CM, CMU, CS and CSU Pump Models

Hose Run	Connection			Components	Use Fittings		Use Hose or Tubing	
	From	To	Size		Part No.	Description	Part No.	Description
1	1a	--	24 MJIC	Compressor Air Outlet	Q-2060003	Reusable Hose End, 24 FJIC	Q-/9000839	Hydraulic Hose, No. 24 (1-3/8 in.)
					Q-2062601	90° Elbow, 24 MJIC x 24 FJIC (Use Optional)		
	--	1b	24 MJIC	Sump Air Inlet	Q-2060003	Reusable Hose End, 24 FJIC		
					Q-2062601	90° Elbow, 24 MJIC x 24 FJIC (Use Optional)		
2	2a	--	24 MJIC	Sump Air Outlet	Q-2060003	Reusable Hose End, 24 FJIC	Q-/9000839	Hydraulic Hose, No. 24 (1-3/8 in.)
					Q-2062601	90° Elbow, 24 MJIC x 24 FJIC (Use Optional)		
	--	2b	24 MJIC	Separator Filter Air Inlet	Q-2060003	Reusable Hose End, 24 FJIC		
					Q-2062601	90° Elbow, 24 MJIC x 24 FJIC (Use Optional)		
3	3a	--	3/4 FNPT	Separator Filter Air Outlet	Q-2050124	Straight Adapter, PTC, 3/4 MNPT x 3/4 AB	Q-/9000443	Push On Hose, 3/4 in., Black
					Q-/9000055	Hose Barb, 12 FJIC x 3/4 in.		
	--	3b	12 MJIC	CAF Discharges	Q-/9000055	Hose Barb, 12 FJIC x 3/4 in.		
4	4a	--	8 MJIC	Sump Oil Outlet	Q-/9000979	Reusable Hose End, 8 FJIC	Q-/9000468	Hydraulic Hose, 1/2 in.
					Q-/9000670	90° Elbow, 8 MJIC x 8 FJIC (Use Optional)		
	--	4b	8 MJIC	Oil Cooler Oil Inlet (Oil Filter)	Q-/9000979	Reusable Hose End, 8 FJIC		
					Q-/9000670	90° Elbow, 8 MJIC x 8 FJIC (Use Optional)		
5	5a	--	8 MJIC	Oil Cooler Oil Outlet	These Connections are Completed at the Factory			
	--	5b	8 MJIC	Compressor Oil Inlet				
6	6a	--	4 MJIC	Separator Filter Scavanged Oil Outlet	Q-/9000963	Reusable Hose End, 4 FJIC	Q-/9000374	Hydraulic Hose, 1/4 in.
	--	6b	4 MJIC	Compressor Scavanged Oil Inlet	Q-/9000963	Reusable Hose End, 4 FJIC	Q-/9000374	Hydraulic Hose, 1/4 in.
					Q-/9000668	90° Elbow, 4 MJIC x 4 FJIC (Use Optional)		
7	7a	--	1/2 FNPT	Oil Cooler Water from Fire Pump	These Connections are Completed at the Factory			
	--	7b	1 FNPT	Oil Cooler Water Inlet				
8	8a	--	1 FNPT	Oil Cooler Water Outlet	Q-8050027	Reducing Bushing, 1 in. MNPT x 1/2 FNPT	Q-/9000789	Air Brake Tubing, 5/8 in., Black
	--	8b	1/2 FNPT	Water Return to Fire Pump Intake	Q-/9001128	Straight Adapter, PTC, 1/2 MNPT x 5/8 AB	Q-/9000789	Air Brake Tubing, 5/8 in., Black
9	9a	--	1/4 FNPT	Balance Valve from Fire Pump	These Connections are Completed at the Factory			
	--	9b	1/4 PTC	Balance Valve Water Inlet				

Components for Model 200-D

Hose Run	Connection			Components	Use Fittings		Use Hose or Tubing	
	From	To	Size		Part No.	Description	Part No.	Description
1	1a	--	24 MJIC	Compressor Air Outlet	Q-2060003	Reusable Hose End, 24 FJIC	Q-/9000839	Hydraulic Hose, No. 24 (1-3/8 in.)
					Q-2062601	90° Elbow, 24 MJIC x 24 FJIC (Use Optional)		
	--	1b	24 MJIC	Sump Air Inlet	Q-2060003	Reusable Hose End, 24 FJIC	Q-/9000839	Hydraulic Hose, No. 24 (1-3/8 in.)
					Q-2062601	90° Elbow, 24 MJIC x 24 FJIC (Use Optional)		
2	2a	--	24 MJIC	Sump Air Outlet	Q-2060003	Reusable Hose End, 24 FJIC	Q-/9000839	Hydraulic Hose, No. 24 (1-3/8 in.)
					Q-2062601	90° Elbow, 24 MJIC x 24 FJIC (Use Optional)		
	--	2b	24 MJIC	Separator Filter Air Inlet	Q-2060003	Reusable Hose End, 24 FJIC	Q-/9000839	Hydraulic Hose, No. 24 (1-3/8 in.)
					Q-2062601	90° Elbow, 24 MJIC x 24 FJIC (Use Optional)		
3	3a	--	1 FNPT	Separator Filter Air Outlet	Q-8050026	Reducing Bushing, 1 MNPT x 3/4 FNPT	Q-/9000443	Push On Hose, 3/4 in., Black
					Q-2050124	Straight Adapter, PTC, 3/4 MNPT x 3/4 AB		
	--	3b	12 MJIC	CAF Discharges	Q-/9000055	Hose Barb, 12 FJIC x 3/4 in.		
4	4a	--	12 MJIC	Sump Oil Outlet	Q-/9000050	Reusable Hose End, 12 FJIC	Q-/9000721	Hydraulic Hose, 3/4 in.
					Q-/9000664	90° Elbow, 12 MJIC x 12 FJIC (Use Optional)		
	--	4b	12 MJIC	Oil Cooler Oil Inlet (Oil Filter)	Q-/9000050	Reusable Hose End, 12 FJIC	Q-/9000721	Hydraulic Hose, 3/4 in.
					Q-/9000664	90° Elbow, 12 MJIC x 12 FJIC (Use Optional)		
5	5a	--	12 MJIC	Oil Cooler Oil Outlet	Q-/9000050	Reusable Hose End, 12 FJIC	Q-/9000721	Hydraulic Hose, 3/4 in.
					Q-/9000664	90° Elbow, 12 MJIC x 12 FJIC (Use Optional)		
	--	5b	12 MJIC	Compressor Oil Inlet	Q-/9000050	Reusable Hose End, 12 FJIC	Q-/9000721	Hydraulic Hose, 3/4 in.
					Q-/9000664	90° Elbow, 12 MJIC x 12 FJIC (Use Optional)		
6	6a	--	4 MJIC	Separator Filter Scavaged Oil Outlet	Q-/9000963	Reusable Hose End, 4 FJIC	Q-/9000374	Hydraulic Hose, 1/4 in.
					Q-/9000668	90° Elbow, 4 MJIC x 4 FJIC (Use Optional)		
	--	6b	4 MJIC	Compressor Scavaged Oil Inlet	Q-/9000963	Reusable Hose End, 4 FJIC	Q-/9000374	Hydraulic Hose, 1/4 in.
					Q-/9000668	90° Elbow, 4 MJIC x 4 FJIC (Use Optional)		
7	7a	--	3/4 FNPT	Oil Cooler Water from Fire Pump	Q-8050026	Reducing Bushing, 1 in. MNPT x 3/4 FNPT	Q-/9000712	Air Brake Tubing, 3/4 in., Black
					Q-2050124	Straight Adapter, PTC, 3/4 MNPT x 3/4 AB		
	--	7b	1 FNPT	Oil Cooler Water Inlet	Q-8050026	Reducing Bushing, 1 in. MNPT x 3/4 FNPT	Q-/9000712	Air Brake Tubing, 3/4 in., Black
					Q-2050124	Straight Adapter, PTC, 3/4 MNPT x 3/4 AB		
8	8a	--	1 FNPT	Oil Cooler Water Outlet	Q-8050026	Reducing Bushing, 1 in. MNPT x 3/4 FNPT	Q-/9000712	Air Brake Tubing, 3/4 in., Black
					Q-2050124	Straight Adapter, PTC, 3/4 MNPT x 3/4 AB		
	--	8b	3/4 FNPT	Water Return to Fire Pump Intake	Q-2050124	Straight Adapter, PTC, 3/4 MNPT x 3/4 AB	Q-/9000712	Air Brake Tubing, 3/4 in., Black
				Water Return to a Tank	Q-2050124	Straight Adapter, PTC, 3/4 MNPT x 3/4 AB		
				3/4 in. Check Valve furnished with Compressor				
9	9a	--	1/4 FNPT	Balance Valve from Fire Pump	Q-/9200101	Straight Adapter, PTC, 1/4 MNPT x 1/4 AB	Q-/9000780	Air Brake Tubing, 1/4 in., Orange
					Connect to Fitting on Balance Valve			
	--	9b	1/4 PTC	Balance Valve Water Inlet				

Components furnished with Oil Inject Check Valve Kit

Hose			Kit Includes			CAF System CFM
Run	Connection	Size Used	Ref No.	Part No.	Description	
5	5a to 5b Oil Cooler Outlet to Compressor Oil Inlet	3/8 in.	971	Q-2410141	Check Valve, 3/8 in.	80 CFM
			972	Q-/9000604	Straight Adapter, 6 MJIC x 3/8 MNPT	
			973	Q-/9000882	90° Elbow, Swivel, 6 FJIC x 3/8 MNPT	
		1/2 in.	971	Q-2410303	Check Valve, 1/2 in.	100, 120, 150 and 200 CFM
			972	Q-/9000609	Straight Adapter, 8 MJIC x 1/2 MNPT	
			973	Q-/9000478	Straight Adapter, Swivel, 8 FJIC x 1/2 MNPT	
		3/4 in.	971	V 4030	Check Valve, 3/4 in.	200 CFM As used with HL400 Pump Models
			972	Q-/9000587	Straight Adapter, 12 MJIC x 3/4 MNPT	
			973	Q-/9000472	Straight Adapter, Swivel, 12 FJIC x 3/4 MNPT	

