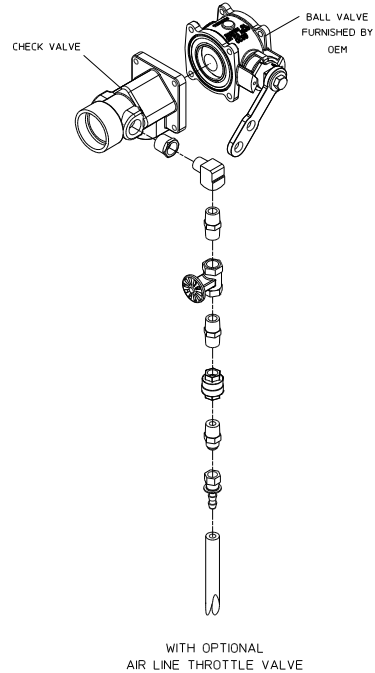
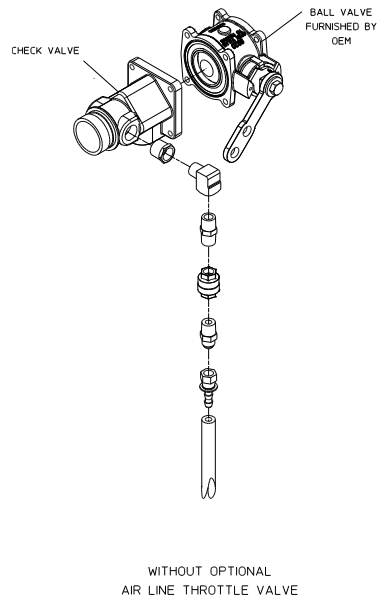




Document Number	Issue Date	Rev. Date
SPL83375	02/12/14	12/9/15

CAFS Air Discharge Kit Service Parts List

Index:



Check Valve		SeePages	
Type	Size	Optional Air Line Throttle Valve	
		Without	With
Akron or Wafer	1-1/2 or 2 in.	2, 3	4, 5
	2-1/2 or 3 in.	6, 7	8, 9
Elkhart	1-1/2 or 2 in.	10, 11	12, 13
	2-1/2 or 3 in.	14, 15	16, 17

Waterous Company 125 Hardman Avenue South, South St. Paul, Minnesota 55075 USA (651) 450-5000

NOTE: When ordering parts, provide Pump, Transmission or PTO Serial Number.

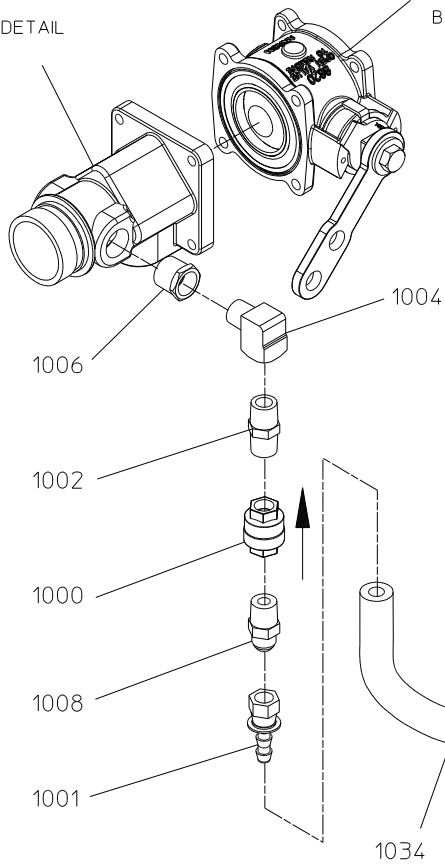
**Akron or Wafer Check Valve
1.5 and 2.0 in. Sizes
Without Throttle Valve**

REF. NO.	DESCRIPTION
1000	Check Valve, ½ in.
1001	Hose Barb, 8 FJIC x ½ in.
1002	Hex Nipple, ½ MNPT
1004	90 Degree Street Elbow, ½ NPT
1006	Reducing Bushing, ¾ MNPT x ½ FNPT
1008	Straight Adapter, 8 MJIC x ½ MNPT
1011	90 Degree Elbow, 8 MJIC x ½ MNPT

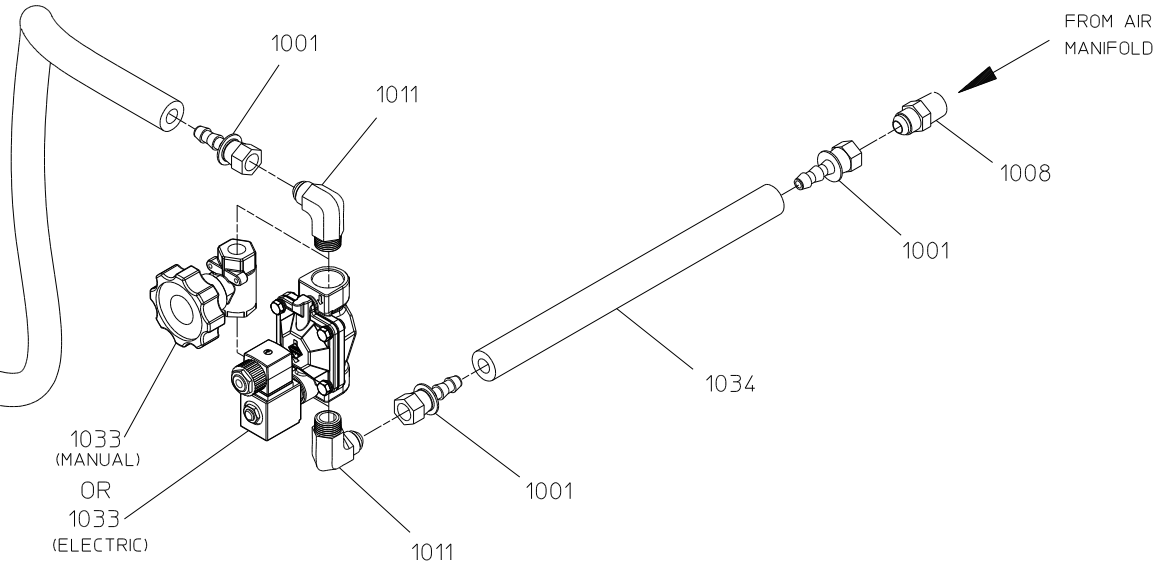
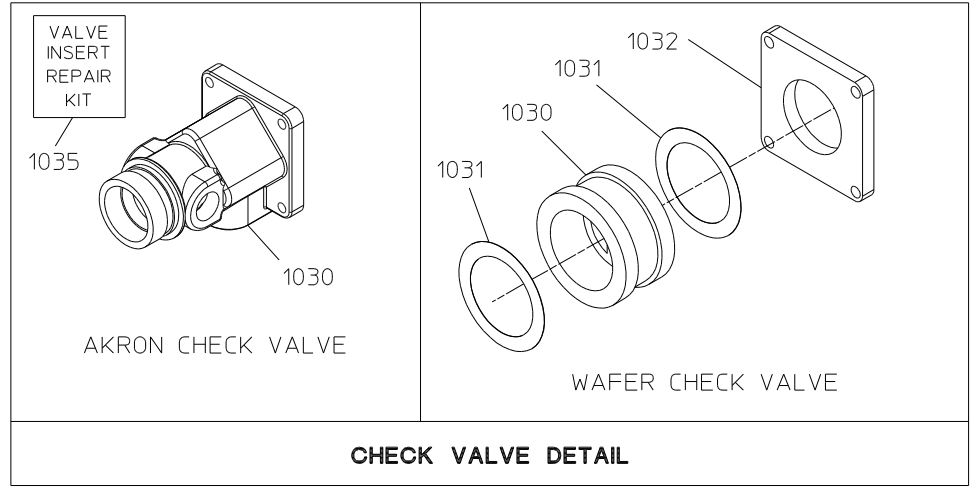
REF. NO.	DESCRIPTION
1030	Akron or Wafer Check Valve
1031	Ring Gasket
1032	Valve Spacer
1033	Electric or Manual Valve, ½ in.
1034	Push On Hose, ½ in. (10 Feet) (Specify Color)
1035	Akron Valve Insert Repair Kit

SEE CHECK VALVE DETAIL

BALL VALVE
FURNISHED
BY OEM



BALL VALVE
FURNISHED
BY OEM



AKRON OR WAFER CHECK VALVE

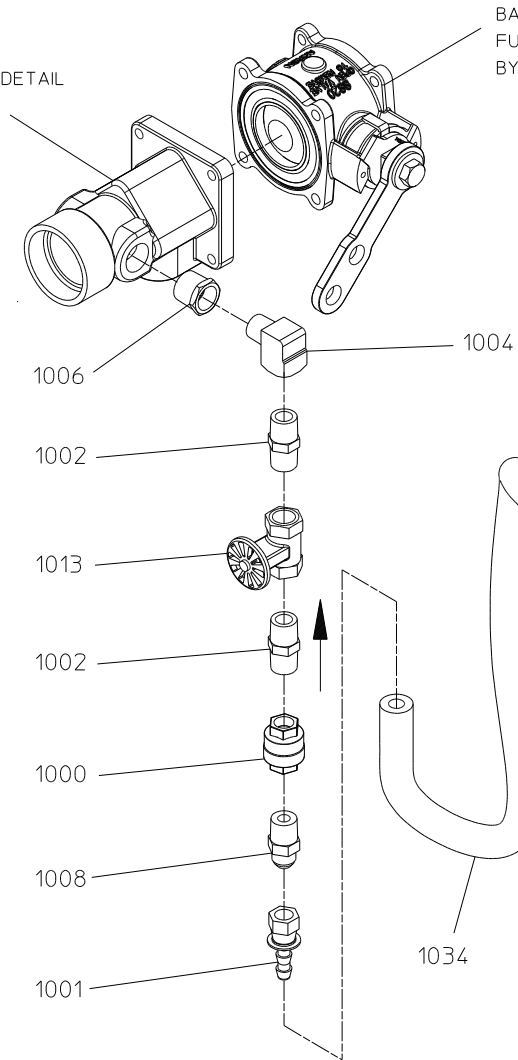
1.5 OR 2.5 INCH
WITHOUT THROTTLE VALVE

**Akron or Wafer Check Valve
1.5 and 2.0 in. Sizes
With Throttle Valve**

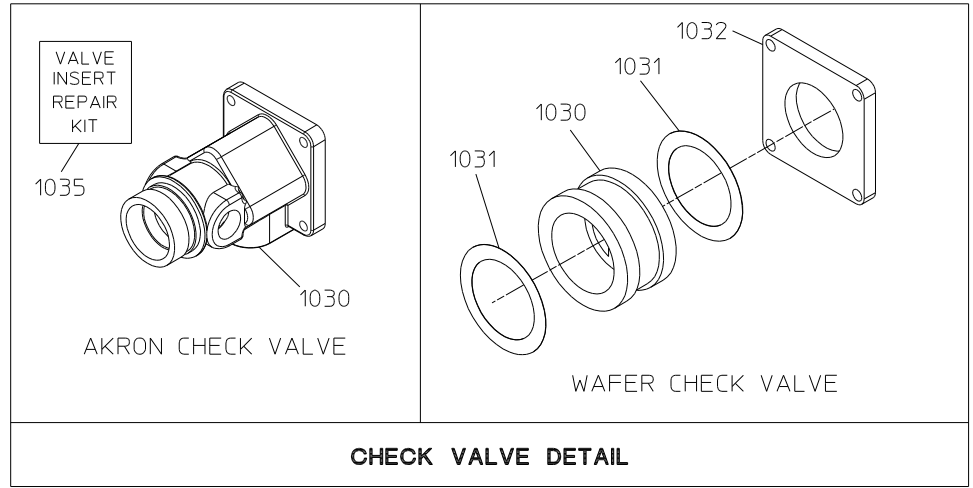
REF. NO.	DESCRIPTION
1000	Check Valve, ½ in.
1001	Hose Barb, 8 FJIC x ½ in.
1002	Hex Nipple, ½ MNPT
1004	90 Degree Street Elbow, ½ NPT
1006	Reducing Bushing, ¾ MNPT x ½ FNPT
1008	Straight Adapter, 8 MJIC x ½ MNPT
1011	90 Degree Elbow, 8 MJIC x ½ MNPT

REF. NO.	DESCRIPTION
1013	Gate Valve, ½ in.
1030	Akron or Wafer Check Valve
1031	Ring Gasket
1032	Valve Spacer
1033	Electric or Manual Valve, ½ in.
1034	Push On Hose, ½ in. (10 Feet) (Specify Color)
1035	Akron Valve Insert Repair Kit

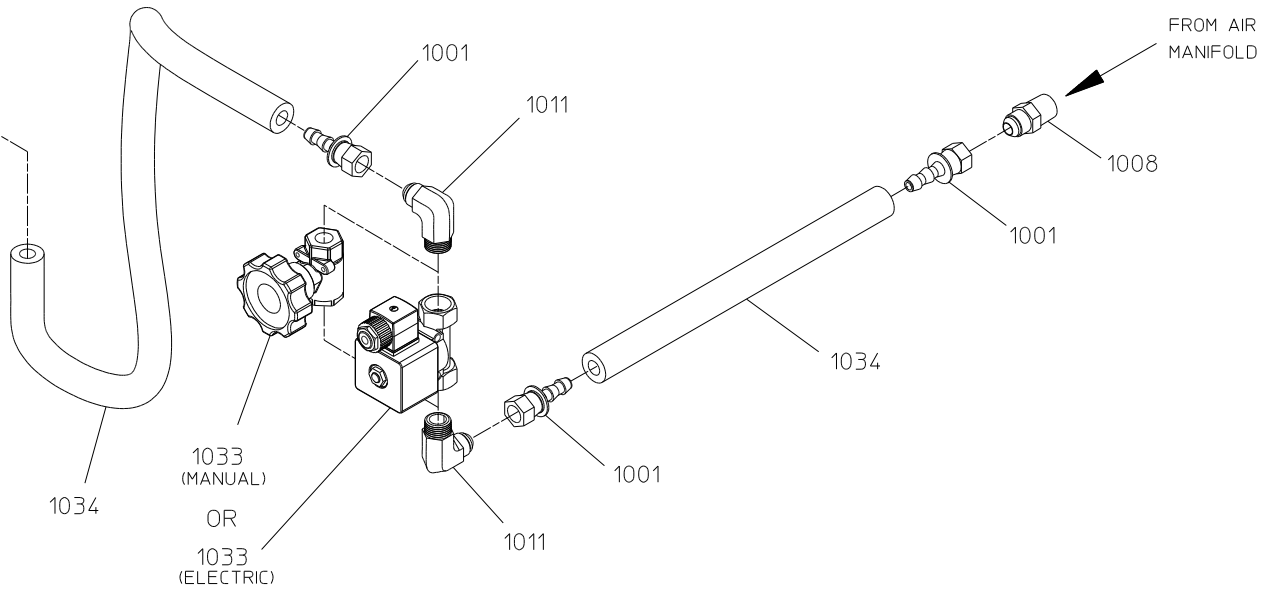
SEE CHECK VALVE DETAIL



BALL VALVE
FURNISHED
BY OEM



CHECK VALVE DETAIL



AKRON OR WAFER CHECK VALVE

1.5 OR 2.0 INCH.
WITH THROTTLE VALVE

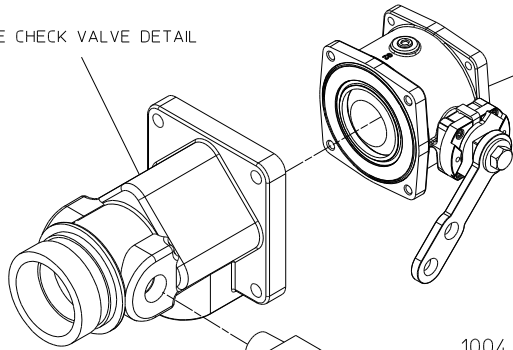
**Akron or Wafer Check Valve
2.5 and 3.0 in. Sizes
Without Throttle Valve**

REF. NO.	DESCRIPTION
1000	Check Valve, ¾ in.
1001	Hose Barb, 8 FJIC x ¾ in.
1002	Hex Nipple, ½ MNPT
1004	90 Degree Street Elbow, ¾ NPT
1007	Straight Adapter, 12 FJIC x ¾ MNPT
1010	90 Degree Elbow, 12 MJIC x ¾ MNPT

REF. NO.	DESCRIPTION
1030	Akron or Wafer Check Valve
1031	Ring Gasket
1032	Valve Spacer
1033	Electric or Manual Valve, ¾ in.
1034	Black Push On Hose, ¾ in. (10 Feet)
1035	Akron Valve Insert Repair Kit

SEE CHECK VALVE DETAIL

BALL VALVE
FURNISHED
BY OEM



1004

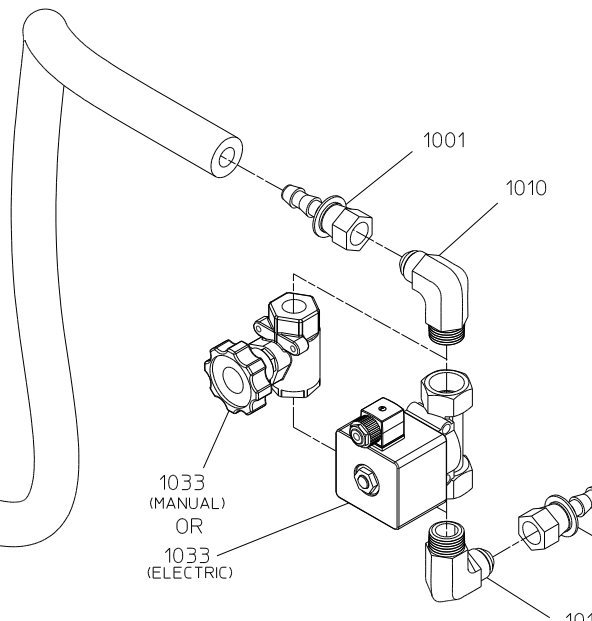
1002

1000

1007

1001

1034



1001

1010

1033
(MANUAL)
OR
1033
(ELECTRIC)

1001

1010

AKRON OR WAFER CHECK VALVE

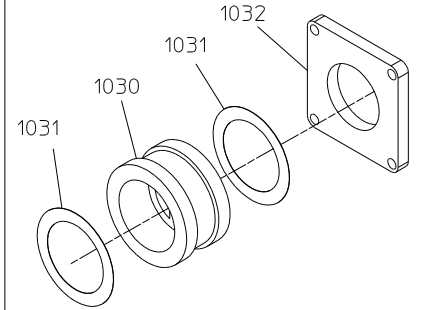
2.5 OR 3.0 INCH
WITHOUT THROTTLE VALVE

VALVE
INSERT
REPAIR
KIT

1035

1030

AKRON CHECK VALVE



1031

1030

1031

1032

WAFER CHECK VALVE

CHECK VALVE DETAIL

FROM AIR
MANIFOLD

1001

1007

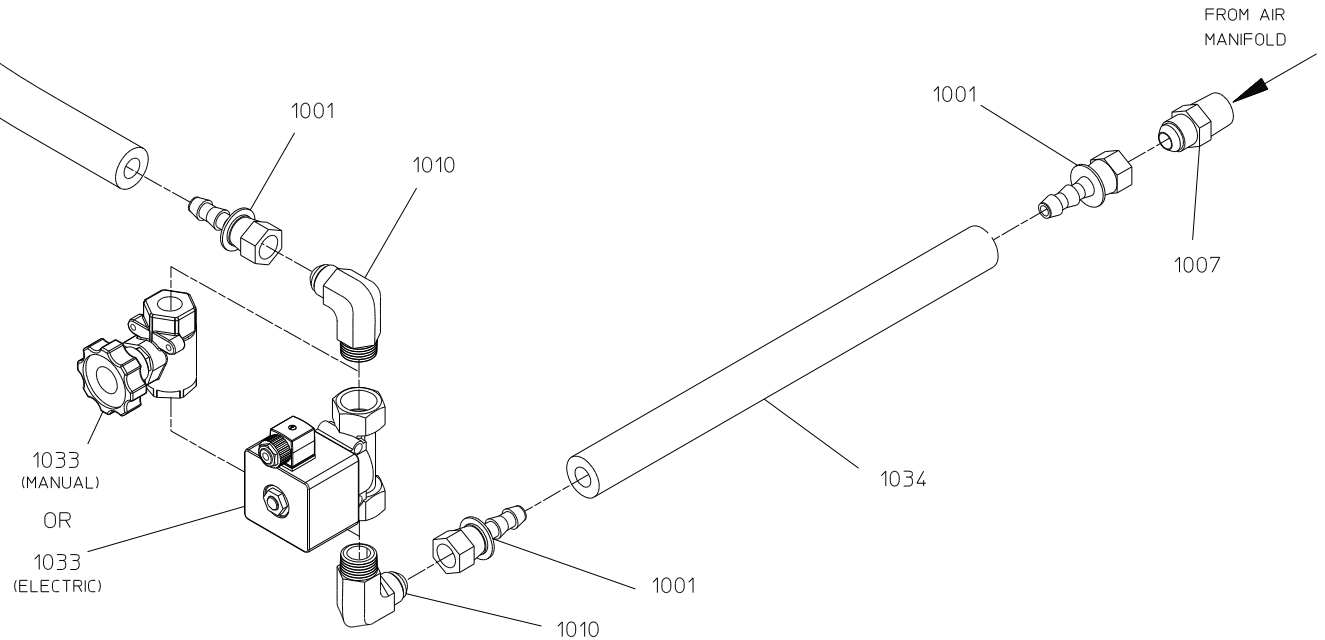
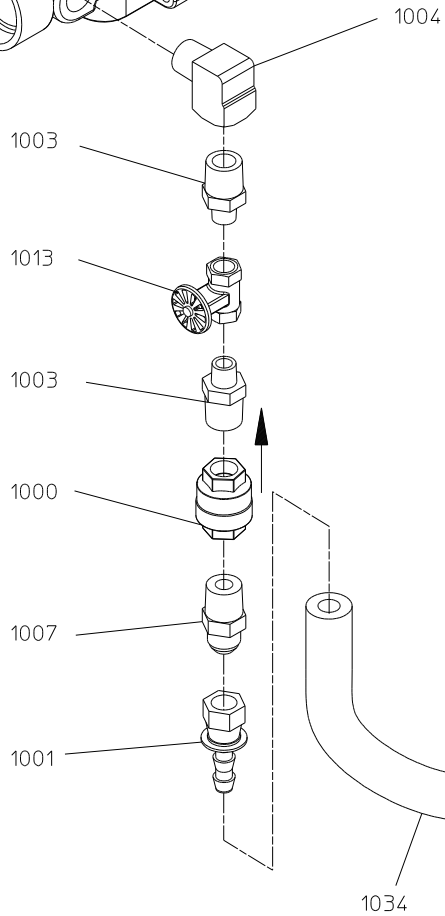
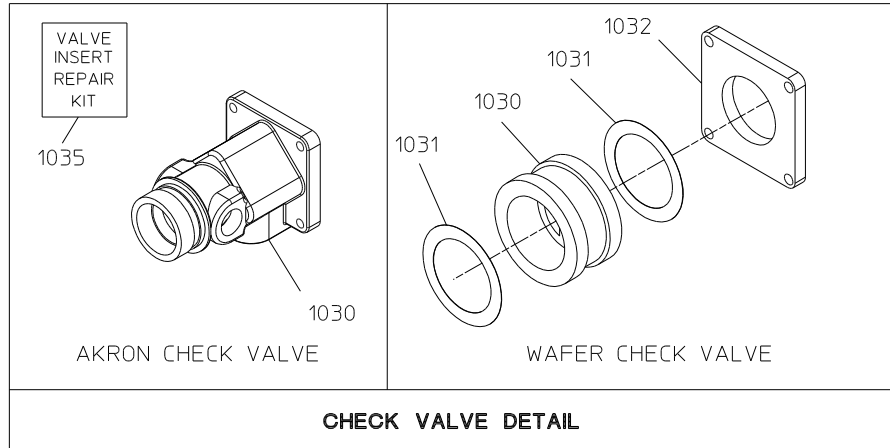
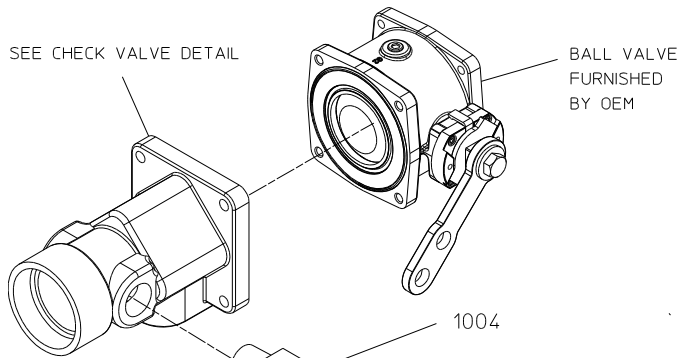
1034

1001

**Akron or Wafer Check Valve
2.5 and 3.0 in. Sizes
With Throttle Valve**

REF. NO.	DESCRIPTION
1000	Check Valve, ¾ in.
1001	Hose Barb, 8 FJIC x ¾ in.
1003	Hex Nipple, ½ x ¾ MNPT
1004	90 Degree Street Elbow, ¾ NPT
1007	Straight Adapter, 12 FJIC x ¾ MNPT
1010	90 Degree Elbow, 12 MJIC x ¾ MNPT

REF. NO.	DESCRIPTION
1013	Gate Valve, ½ in.
1030	Akron or Wafer Check Valve
1031	Ring Gasket
1032	Valve Spacer
1033	Electric or Manual Valve, ¾ in.
1034	Black Push On Hose, ¾ in. (10 Feet)
1035	Akron Valve Insert Repair Kit

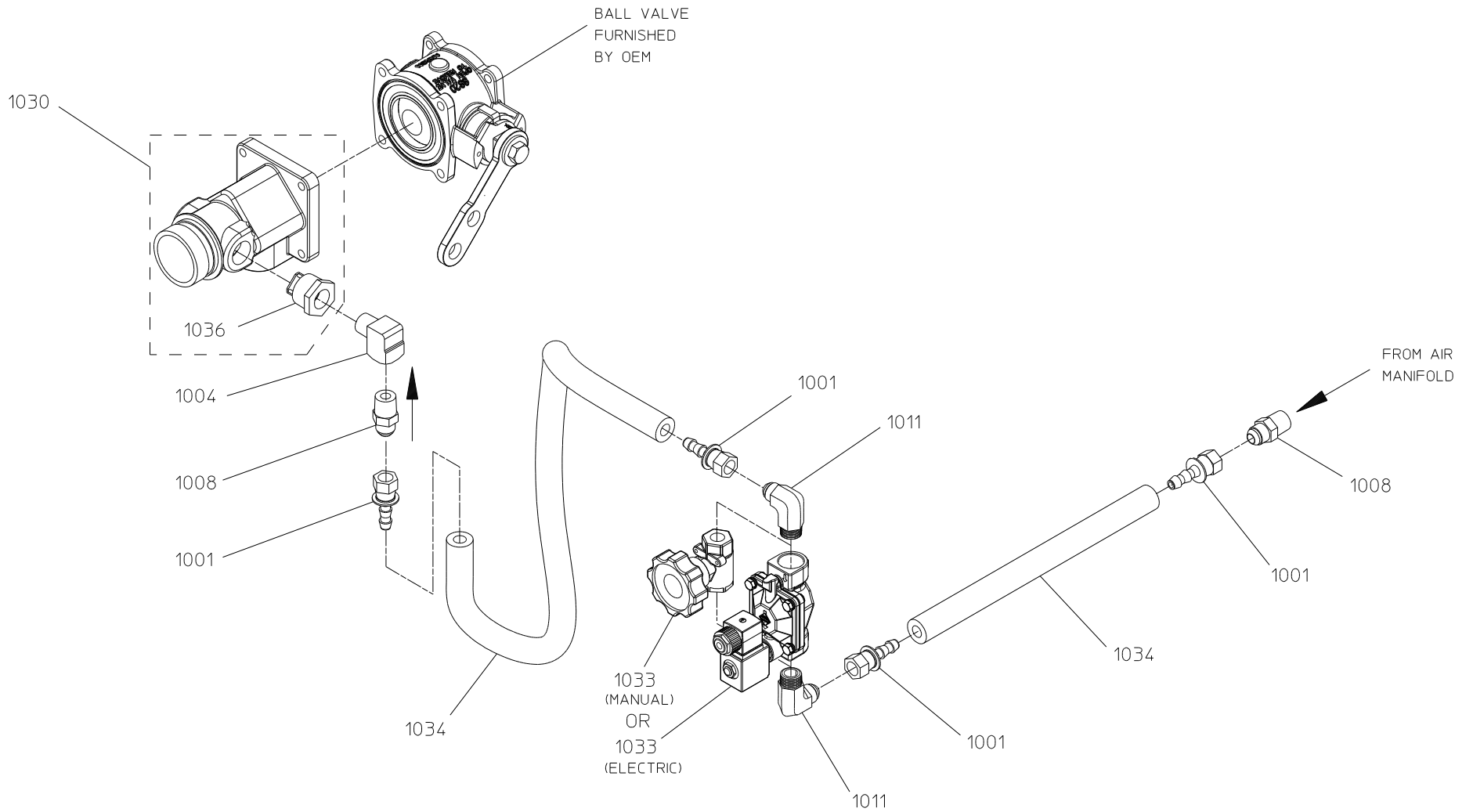


AKRON OR WAFER CHECK VALVE
2.5 OR 3.0 INCH
WITH THROTTLE VALVE

**Elkhart Check Valve
1.5 and 2.0 in. Sizes
Without Throttle Valve**

REF. NO.	DESCRIPTION
1001	Hose Barb, 8 FJIC x ½ in.
1004	90 Degree Street Elbow, ½ NPT
1008	Straight Adapter, 8 MJIC x ½ MNPT
1011	90 Degree Elbow, 8 MJIC x ½ MNPT

REF. NO.	DESCRIPTION
1030	Elkhart Check Valve (Includes 1036)
1033	Electric or Manual Valve, ½ in.
1034	Push On Hose, ½ in. (10 Feet) (Specify Color)
1036	Bushing Check Valve, 1 x ½ NPT



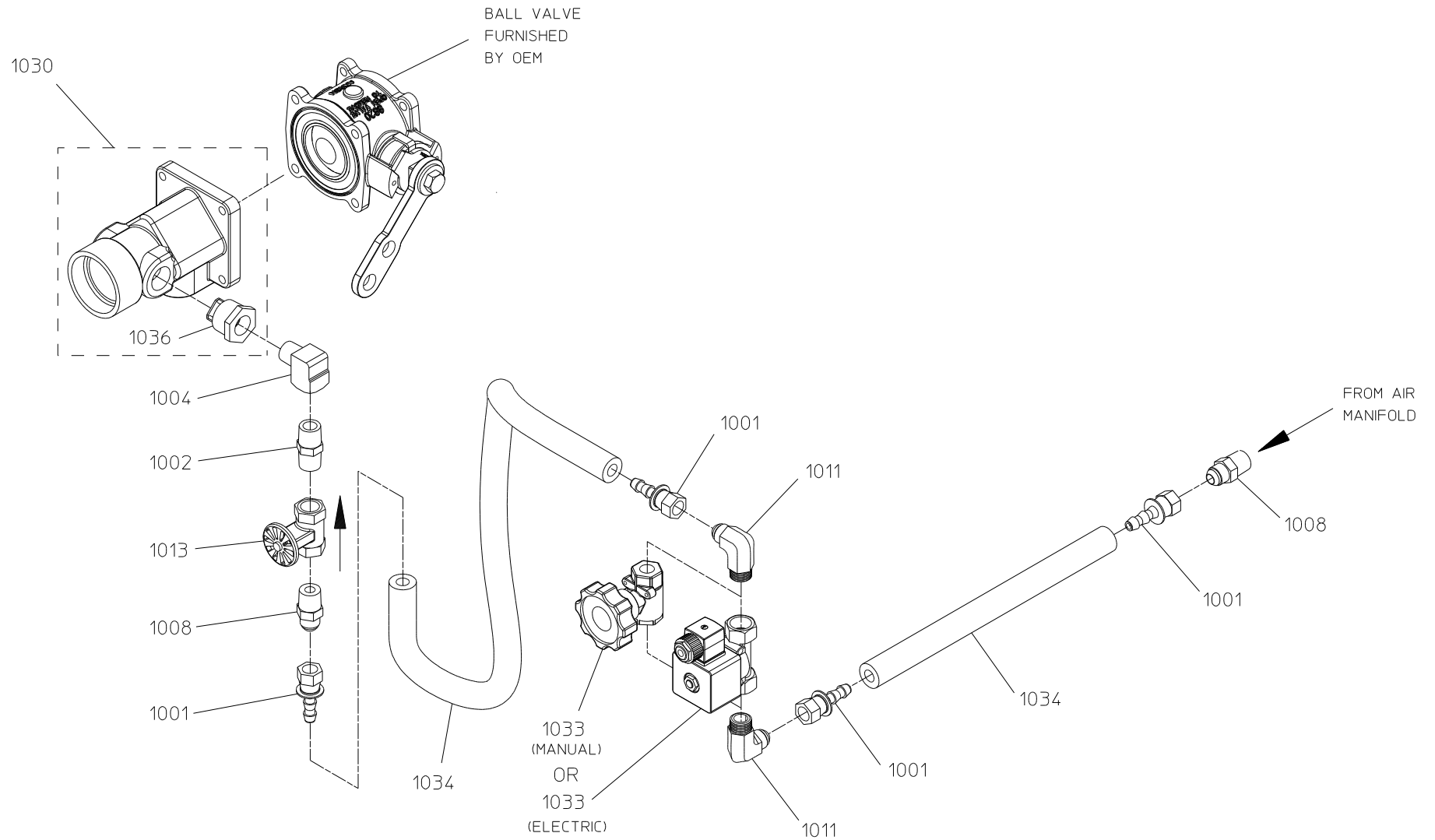
ELKHART CHECK VALVE

1.5 OR 2.0 INCH
WITHOUT THROTTLE VALVE

**Elkhart Check Valve
1.5 and 2.0 in. Sizes
With Throttle Valve**

REF. NO.	DESCRIPTION
1001	Hose Barb, 8 FJIC x ½ in.
1002	Hex Nipple, ½ MNPT
1004	90 Degree Street Elbow, ½ NPT
1008	Straight Adapter, 8 MJIC x ½ MNPT
1011	90 Degree Elbow, 8 MJIC x ½ MNPT

REF. NO.	DESCRIPTION
1013	Gate Valve, ½ in.
1030	Elkhart Check Valve (Includes 1036)
1033	Electric or Manual Valve, ½ in.
1034	Push On Hose, ½ in. (10 Feet) (Specify Color)
1036	Bushing Check Valve, 1 x ½ NPT



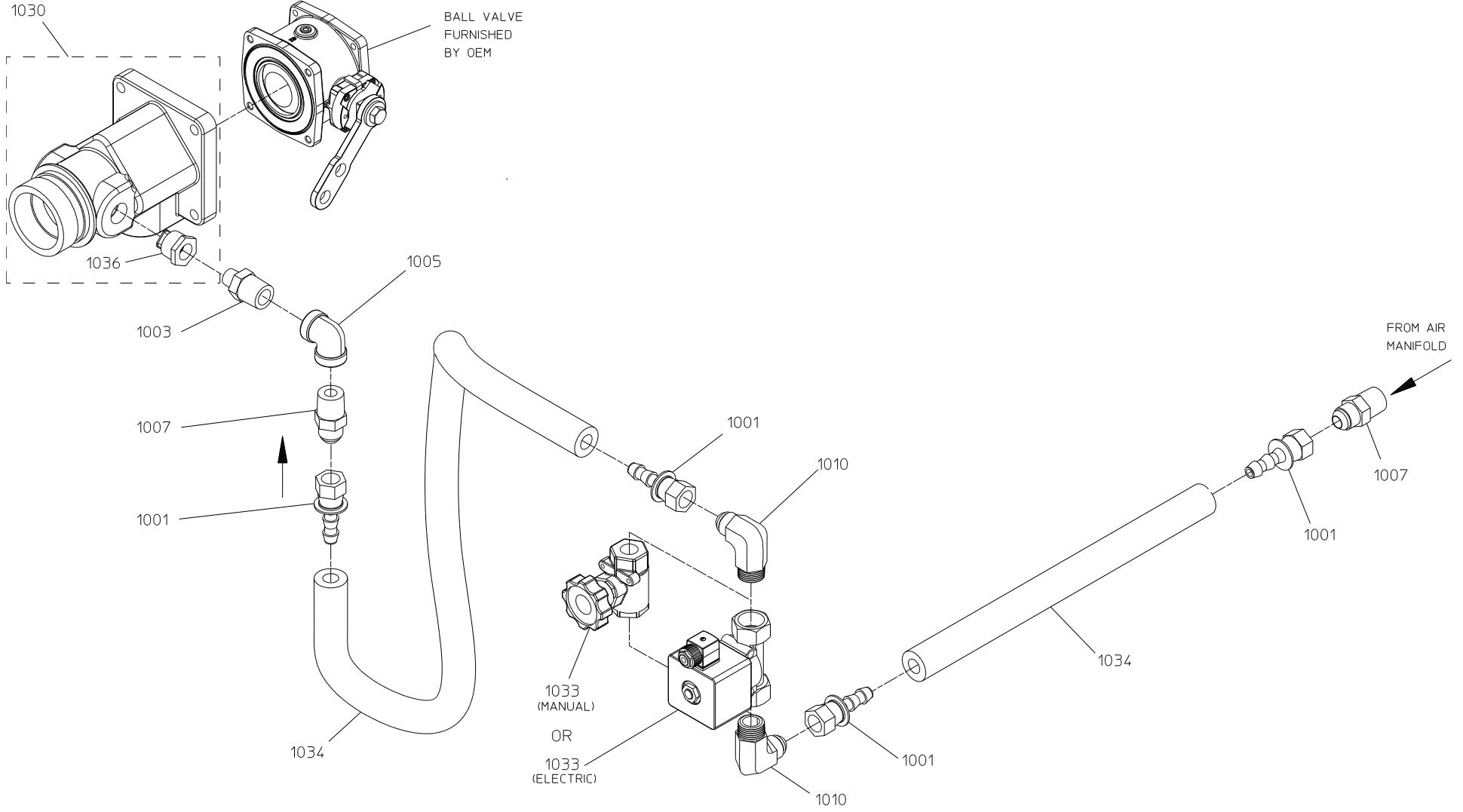
ELKHART CHECK VALVE

1.5 OR 2.0 INCH
WITH THROTTLE VALVE

**Elkhart Check Valve
2.5 and 3.0 in. Sizes
Without Throttle Valve**

REF. NO.	DESCRIPTION
1001	Hose Barb, 8 FJIC x 3/4 in.
1003	Nex Nipple, 1/2 x 3/4 MNPT
1005	90 Degree Male Elbow, 3/4 FNPT
1007	Straight Adapter, 12 FJIC x 3/4 MNPT
1010	90 Degree Elbow, 12 MJIC x 3/4 MNPT

REF. NO.	DESCRIPTION
1030	Elkhart Check Valve (Includes 1036)
1033	Electric or Manual Valve, 3/4 in.
1034	Black Push On Hose, 3/4 in. (10 Feet)
1036	Bushing Check Valve, 1 x 1/2 NPT



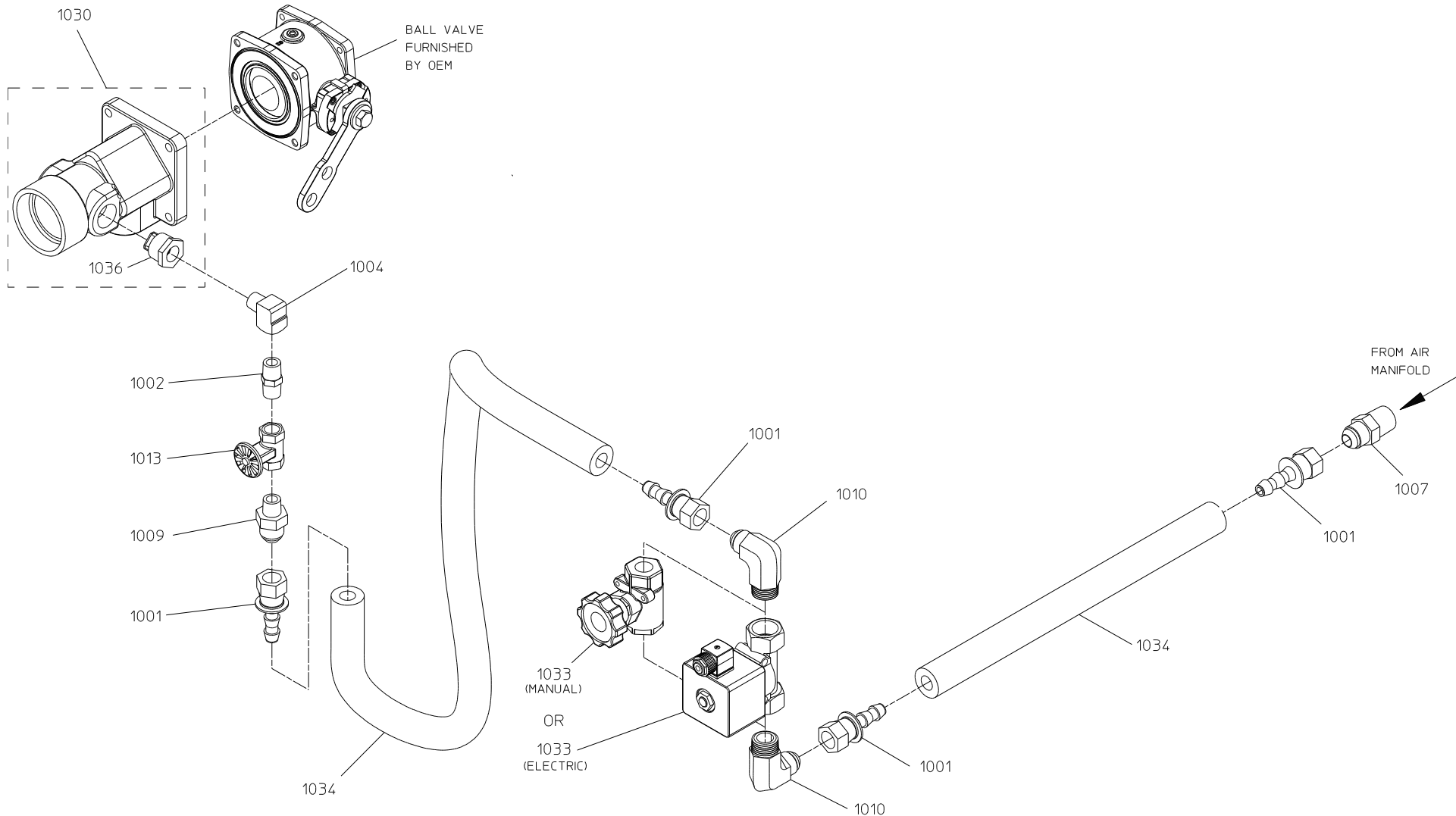
ELKHART CHECK VALVE

2.5 OR 3.0 INCH
WITHOUT THROTTLE VALVE

**Elkhart Check Valve
2.5 and 3.0 in. Sizes
With Throttle Valve**

REF. NO.	DESCRIPTION
1001	Hose Barb, 12 FJIC x ¾ in.
1002	Hex Nipple, ½ MNPT
1004	90 Degree Street Elbow, ½ NPT
1007	Straight Adapter, 12 FJIC x ¾ MNPT
1009	Straight Adapter, 12 MJIC x ½ MNPT
1010	90 Degree Elbow, 12 MJIC x ½ MNPT

REF. NO.	DESCRIPTION
1013	Gate Valve, ½ in.
1030	Elkhart Check Valve (Includes 1036)
1033	Electric or Manual Valve, ¾ in.
1034	Black Push On Hose, ¾ in. (10 Feet)
1036	Bushing Check Valve, 1 x ½ NPT



ELKHART CHECK VALVE
2.5 OR 3.0 INCH
WITH THROTTLE VALVE