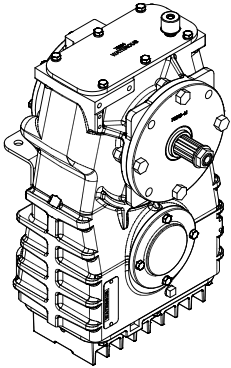
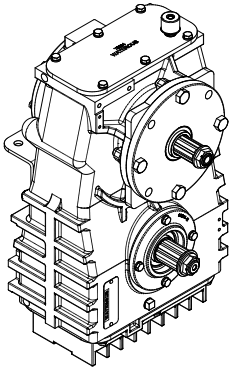


TQC Series P.T.O. Service Parts List

Index:



**OUTPUT SHAFT ON OPPOSITE SIDE
OF INPUT SHAFT**



**OUTPUT SHAFT ON SAME SIDE
AS INPUT SHAFT**

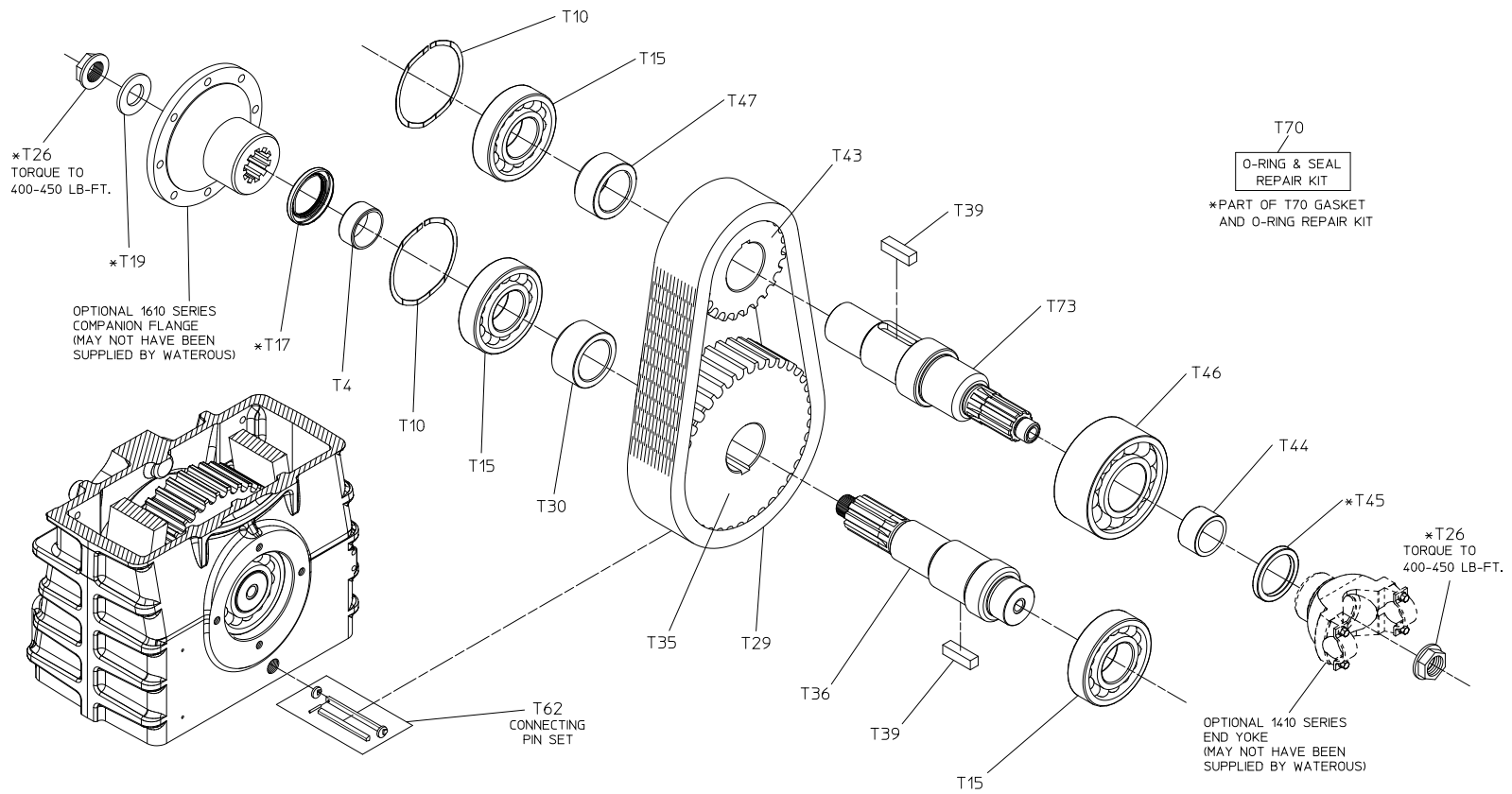
Output Shaft Location	Component	See Sheet	
Opposite Side of Input Shaft	Driveline	2, 3	
	Cross-Section View		4, 5
	Case	Input Shaft Side	6, 7
		Output Shaft Side	8, 9
Same Side as Input Shaft	Driveline	10, 11	
	Cross-Section View		12,13
	Case	Side without Shafts	14, 15
		Side with Shafts	16, 17
Optional Cooling Line Fittings when used with a model CPK-5 Pump		18, 19	

Driveline

(Output Shaft on Opposite Side of Input Shaft)

REF NO.	DESCRIPTION
T4	Oil Seal Sleeve
T10	Wave Spring
T15	Single Row Ball Bearing
T17	Oil Seal, 2 x 2-3/4 in.
T19	Plain Washer, 1 in.
T26	Lock Nut, 1 in.
T29	Chain, 3/4 in. Pitch
T30	Drive Shaft Spacer
T35	Drive Sprocket
T36	Drive Shaft

REF NO.	DESCRIPTION
T39	Square Key, 1/2 x 1-3/4 in.
T43	Driven Sprocket
T44	Oil Seal Sleeve
T45	Oil Seal, 2 x 2-5/8 in.
T46	Double Row Ball Bearing
T47	Bearing Spacer
T62	Connecting Pin Set
T70	O-ring Replacement Kit
T73	Driven Shaft

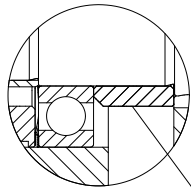


DRIVELINE
(OUTPUT SHAFT ON OPPOSITE SIDE
OF INPUT SHAFT)

**Cross-Section View
(Output Shaft on Opposite Side of Input Shaft)**

REF NO.	DESCRIPTION
T4	Oil Seal Sleeve
T10	Wave Spring
T15	Single Row Ball Bearing
T17	Oil Seal, 2 x 2-3/4 in.
T19	Plain Washer, 1 in.
T26	Lock Nut, 1 in.
T29	Chain, 3/4 in. Pitch
T30	Drive Shaft Spacer
T35	Drive Sprocket
T36	Drive Shaft

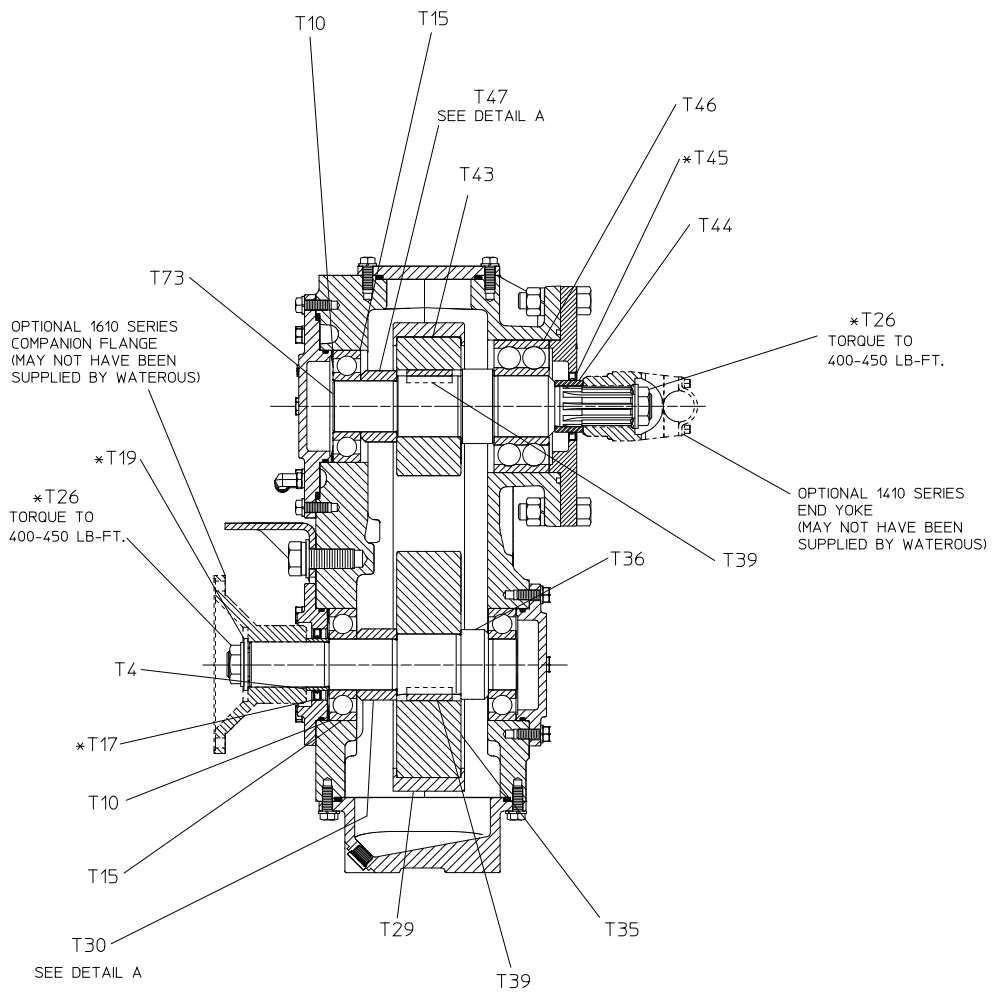
REF NO.	DESCRIPTION
T39	Square Key, 1/2 x 1-3/4 in.
T43	Driven Sprocket
T44	Oil Seal Sleeve
T45	Oil Seal, 2 x 2-5/8 in.
T46	Double Row Ball Bearing
T47	Bearing Spacer
T70	O-ring Replacement Kit
T73	Driven Shaft



DETAIL A
INSTALL WITH BEVELED
EDGE TOWARD BEARING

T70
O-RING & SEAL
REPAIR KIT

*PART OF T70 GASKET
AND O-RING REPAIR KIT



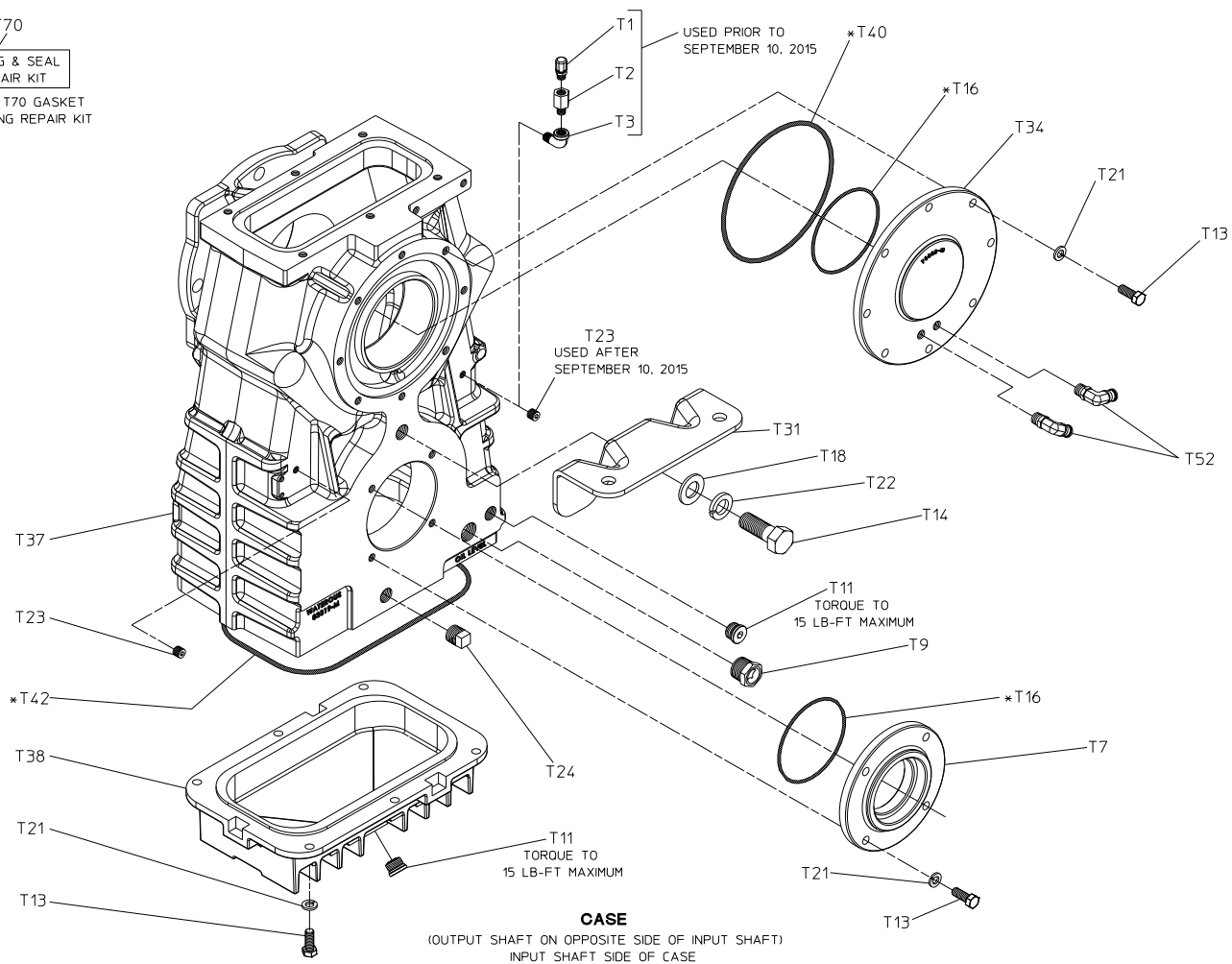
CROSS-SECTION VIEW
(OUTPUT SHAFT ON OPPOSITE SIDE
OF INPUT SHAFT)

Case
(Output Shaft on Opposite Side of Input Shaft)
Input Shaft Side of Case

REF NO.	DESCRIPTION
T1	Breather, 1/8 NPT
T2	Snubber, 1/8 NPT
T3	Street Elbow, 1/8 NPT
T7	Oil Seal Housing
T9	Sight Plug
T11	Socket Head Plug
T13	Hex Head Screw, 3/8-16 x 1 in.
T14	Hex Head Screw, 3/4-10 x 2 in.
T16	O-ring, 4 x 4-1/4 in.
T18	Plain Washer, 3/4 in.
T21	Lock Washer, 3/8 in.
T22	Lock Washer, 3/4 in.

REF NO.	DESCRIPTION
T23	Pipe Plug, 1/8 NPT
T24	Pipe Plug, 1/2 NPT
T31	Case Mounting Bracket
T34	Bearing Cover
T37	Transmission Case
T38	Transmission Pan
T40	O-ring, 6-3/4 x 7-1/8 in.
T42	O-ring, 10 x 10-3/8 in.
T52	Elbow Adapter, 1/4 NPT x 3/8 Tube
T70	O-ring Replacement Kit

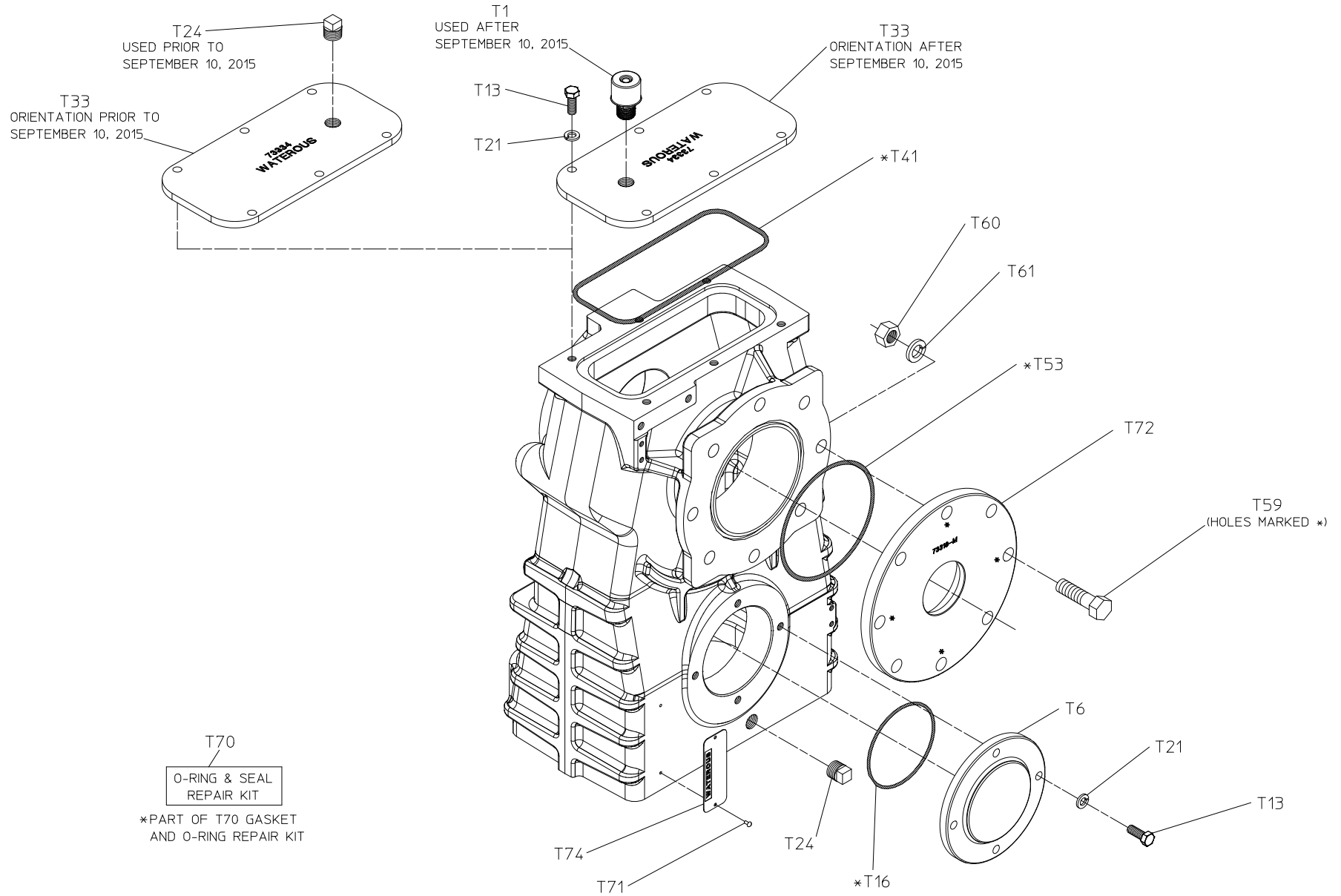
T70
 O-RING & SEAL
 REPAIR KIT
 *PART OF T70 GASKET
 AND O-RING REPAIR KIT



Case
(Output Shaft on Opposite Side of Input Shaft)
Output Shaft Side of Case

REF NO.	DESCRIPTION
T1	Breather, 1/2 NPT
T6	Bearing Cover
T13	Hex Head Screw, 3/8-16 x 1 in.
T16	O-ring, 4 x 4-1/4 in.
T21	Lock Washer, 3/8 in.
T24	Pipe Plug, 1/2 in.
T33	Case Cover
T41	O-ring, 7-3/4 x 8-1/8 in.
T51	Adapter, 1/4 NPT x 3/8 Tube

REF NO.	DESCRIPTION
T52	Elbow Adapter, 1/4 NPT x 3/8 Tube
T53	O-ring, 5-5/8 x 5-7/8 in.
T59	Hex Head Screw, 5/8-18 x 2-1/4 in.
T60	Hex Nut, 5/8-18
T61	Lock Washer, 5/8 in.
T70	O-ring Replacement Kit
T71	Drive Screw, #6, 2-1/4 in.
T74	Serial Plate

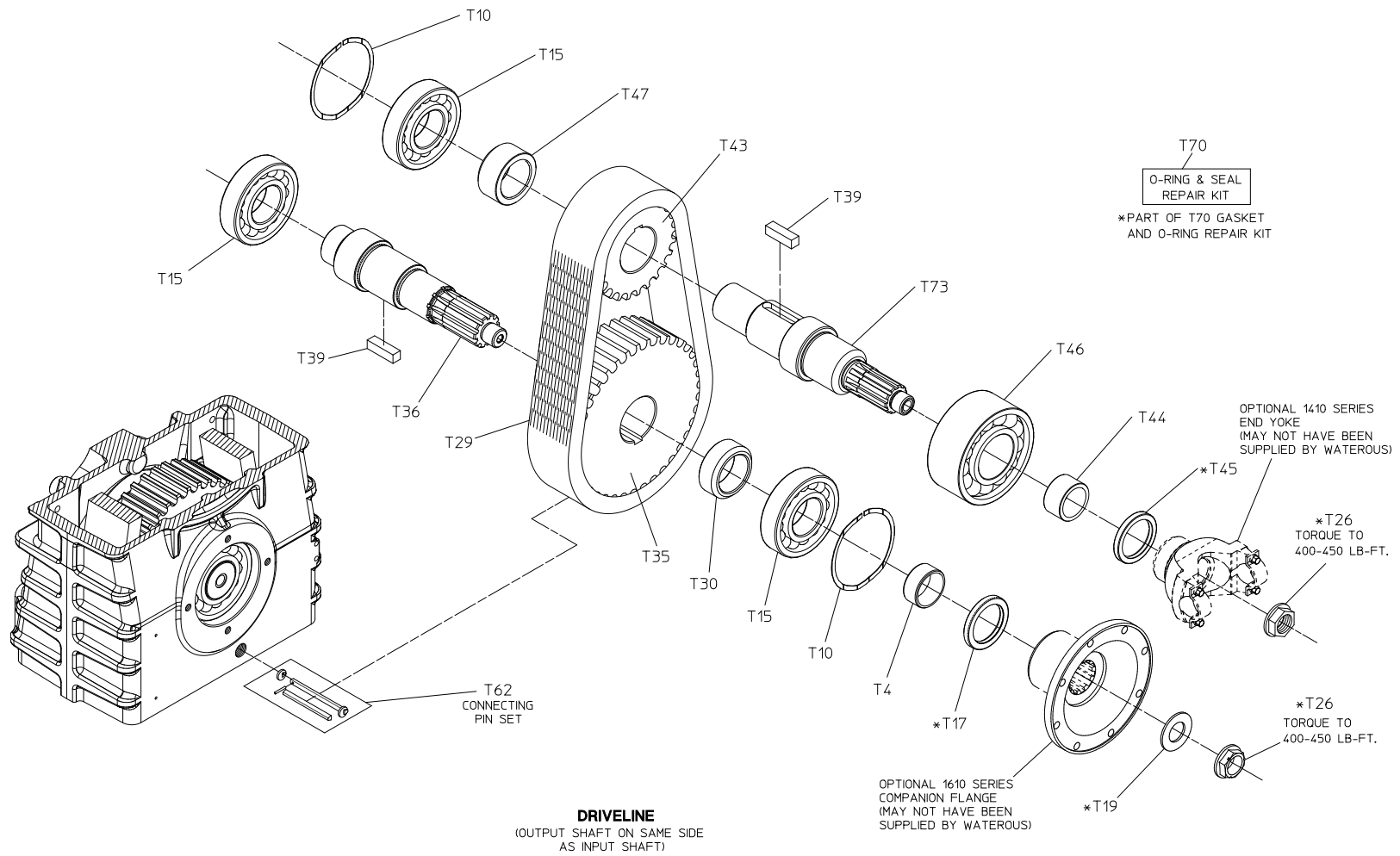


CASE
(OUTPUT SHAFT ON OPPOSITE SIDE OF INPUT SHAFT)
OUTPUT SHAFT SIDE OF CASE

Driveline
(Output Shaft on Same Side as Input Shaft)

REF NO.	DESCRIPTION
T4	Oil Seal Sleeve
T10	Wave Spring
T15	Single Row Ball Bearing
T17	Oil Seal, 2 x 2-3/4 in.
T19	Plain Washer, 1 in.
T26	Lock Nut, 1 in.
T29	Chain, 3/4 in. Pitch
T30	Drive Shaft Spacer
T35	Drive Sprocket
T36	Drive Shaft

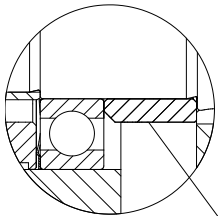
REF NO.	DESCRIPTION
T39	Square Key, 1/2 x 1-3/4 in.
T43	Driven Sprocket
T44	Oil Seal Sleeve
T45	Oil Seal, 2 x 2-5/8 in.
T46	Double Row Ball Bearing
T47	Bearing Spacer
T70	O-ring Replacement Kit
T73	Driven Shaft



**Cross-Section View
(Output Shaft on Same Side as Input Shaft)**

REF NO.	DESCRIPTION
T4	Oil Seal Sleeve
T10	Wave Spring
T15	Single Row Ball Bearing
T17	Oil Seal, 2 x 2-3/4 in.
T19	Plain Washer, 1 in.
T26	Lock Nut, 1 in.
T29	Chain, 3/4 in. Pitch
T30	Drive Shaft Spacer
T35	Drive Sprocket
T36	Drive Shaft

REF NO.	DESCRIPTION
T39	Square Key, 1/2 x 1-3/4 in.
T43	Driven Sprocket
T44	Oil Seal Sleeve
T45	Oil Seal, 2 x 2-5/8 in.
T46	Double Row Ball Bearing
T47	Bearing Spacer
T70	O-ring Replacement Kit
T73	Driven Shaft



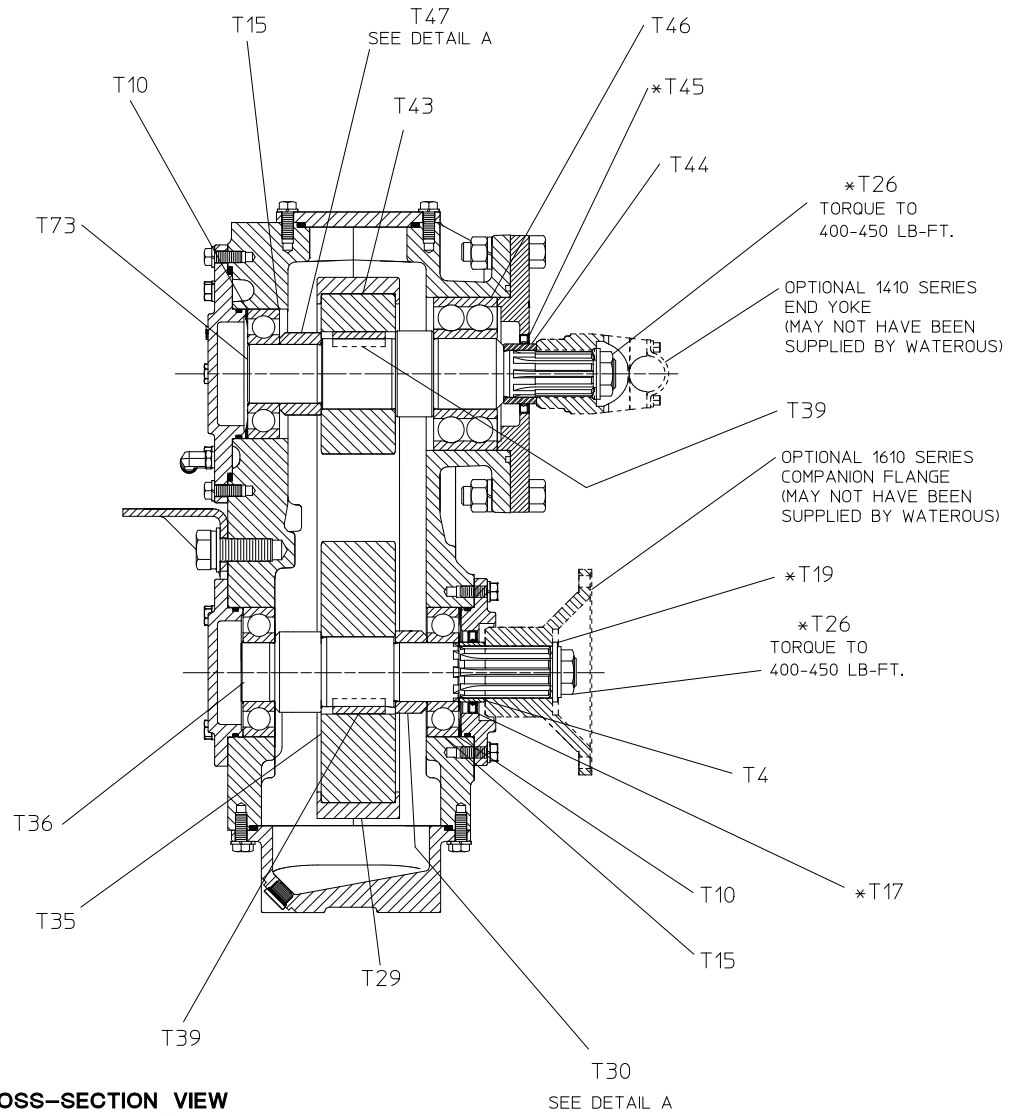
INSTALL WITH BEVELED
EDGE TOWARD BEARING

DETAIL A

T70

O-RING & SEAL
REPAIR KIT

*PART OF T70 GASKET
AND O-RING REPAIR KIT



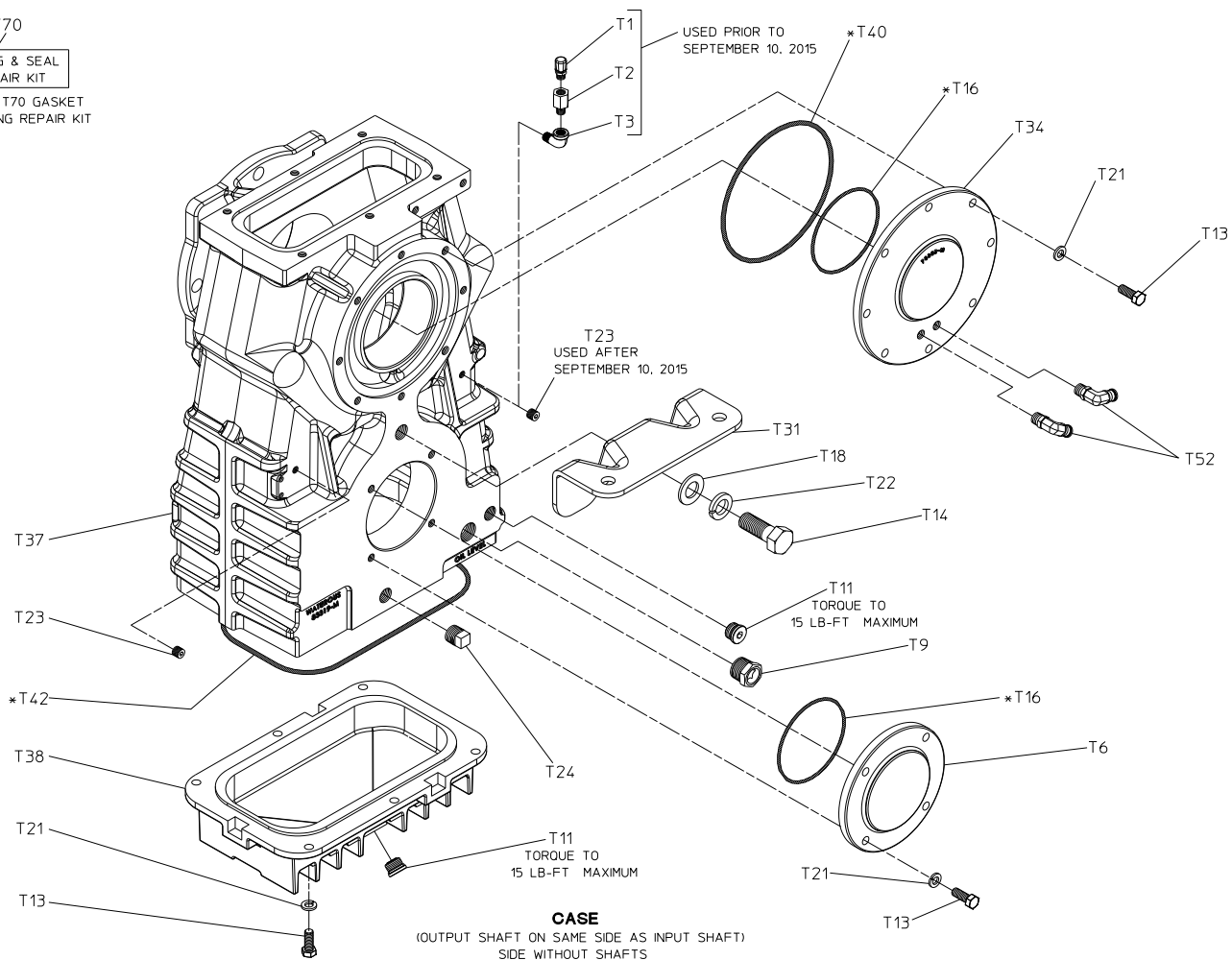
CROSS-SECTION VIEW
(OUTPUT SHAFT ON SAME SIDE
AS INPUT SHAFT)

Case
(Output Shaft on Same Side as Input Shaft)
Side without Shafts

REF NO.	DESCRIPTION
T1	Breather, 1/8 NPT
T2	Snubber, 1/8 NPT
T3	Street Elbow, 1/8 NPT
T6	Bearing Cover
T9	Sight Plug
T11	Socket Head Plug
T13	Hex Head Screw, 3/8-16 x 1 in.
T14	Hex Head Screw, 3/4-10 x 2 in.
T16	O-ring, 4 x 4-1/4 in.
T18	Plain Washer, 3/4 in.
T21	Lock Washer, 3/8 in.
T22	Lock Washer, 3/4 in.

REF NO.	DESCRIPTION
T23	Pipe Plug, 1/8 NPT
T24	Pipe Plug, 1/2 NPT
T31	Case Mounting Bracket
T34	Bearing Cover
T37	Transmission Case
T38	Transmission Pan
T40	O-ring, 6-3/4 x 7-1/8 in.
T42	O-ring, 10 x 10-3/8 in.
T52	Elbow Adapter, 1/4 NPT x 3/8 Tube
T70	O-ring Replacement Kit

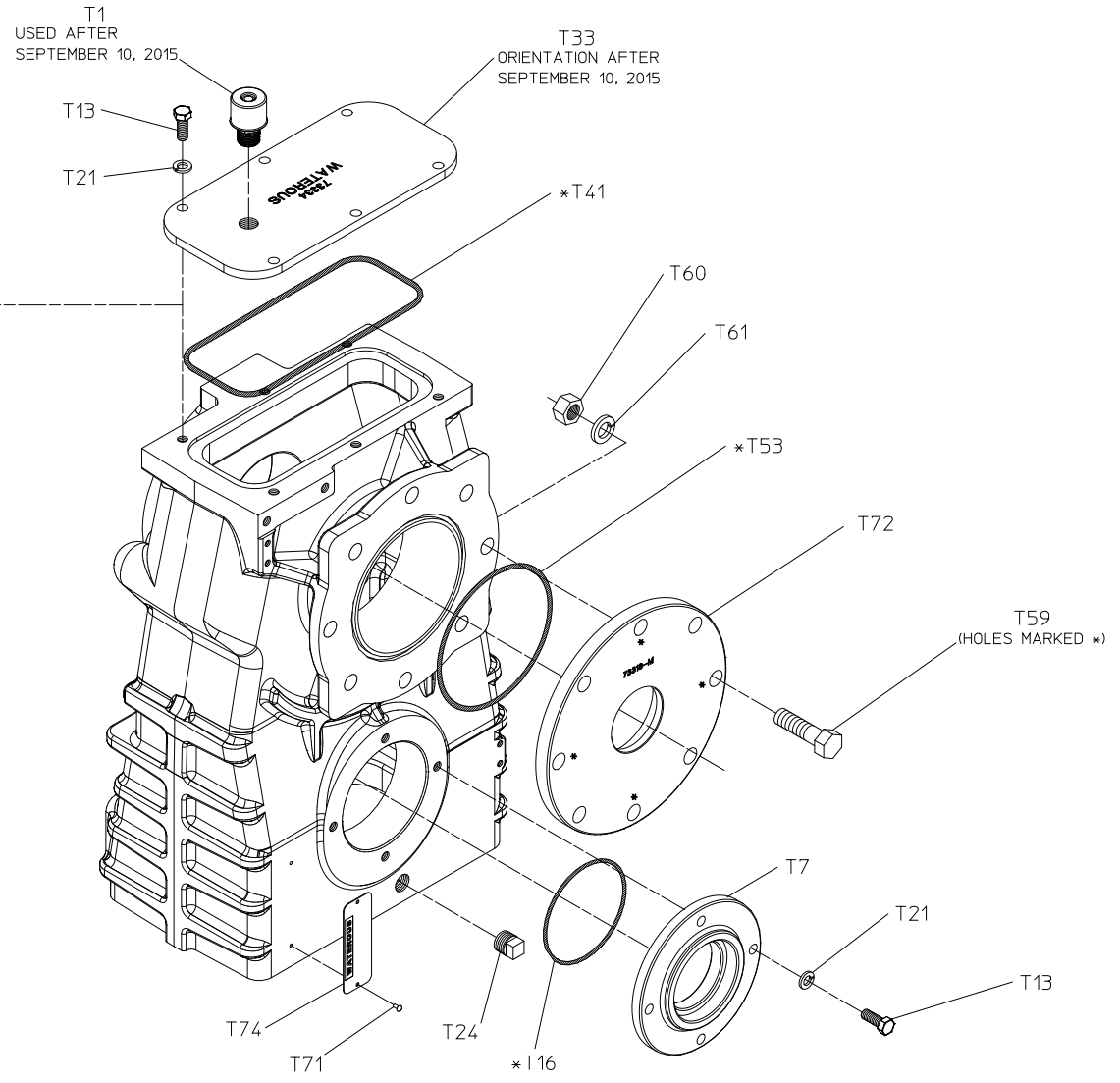
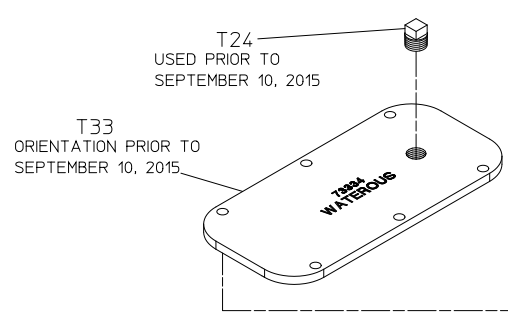
T70
 O-RING & SEAL
 REPAIR KIT
 *PART OF T70 GASKET
 AND O-RING REPAIR KIT



Case
(Output Shaft on Same Side as Input Shaft)
Side with Shafts

REF NO.	DESCRIPTION
T1	Breather, 1/2 NPT
T7	Oil Seal Housing
T13	Hex Head Screw, 3/8-16 x 1 in.
T16	O-ring, 4 x 4-1/4 in.
T21	Lock Washer, 3/8 in.
T24	Pipe Plug, 1/2 in.
T33	Case Cover
T41	O-ring, 7-3/4 x 8-1/8 in.

REF NO.	DESCRIPTION
T52	Elbow Adapter, 1/4 NPT x 3/8 Tube
T53	O-ring, 5-5/8 x 5-7/8 in.
T59	Hex Head Screw, 5/8-18 x 2-1/4 in.
T60	Hex Nut, 5/8-18
T61	Lock Washer, 5/8 in.
T70	O-ring Replacement Kit
T71	Drive Screw, #6, 2-1/4 in.
T72	Oil Seal Housing
T74	Serial Plate

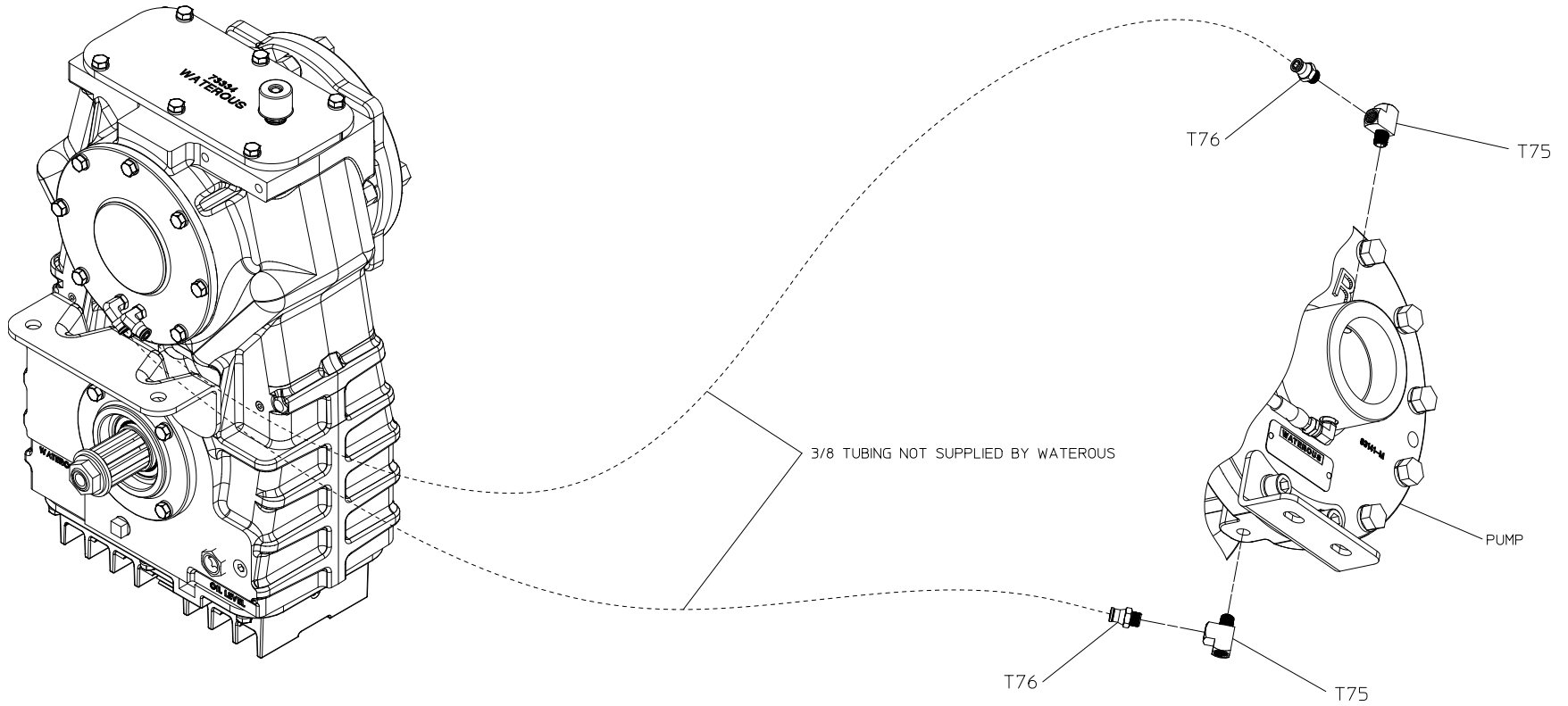


CASE
(OUTPUT SHAFT ON SAME SIDE AS INPUT SHAFT)
SIDE WITH SHAFTS

Optional Cooling Line Fittings

REF NO.	DESCRIPTION
T75	Street Tee, 1/4 NPT

REF NO.	DESCRIPTION
T76	Straight Adapter, 1/4 NPT x 1/4 AB



OPTIONAL COOLING FITTINGS
(MAY NOT HAVE BEEN SUPPLIED BY WATEROUS)