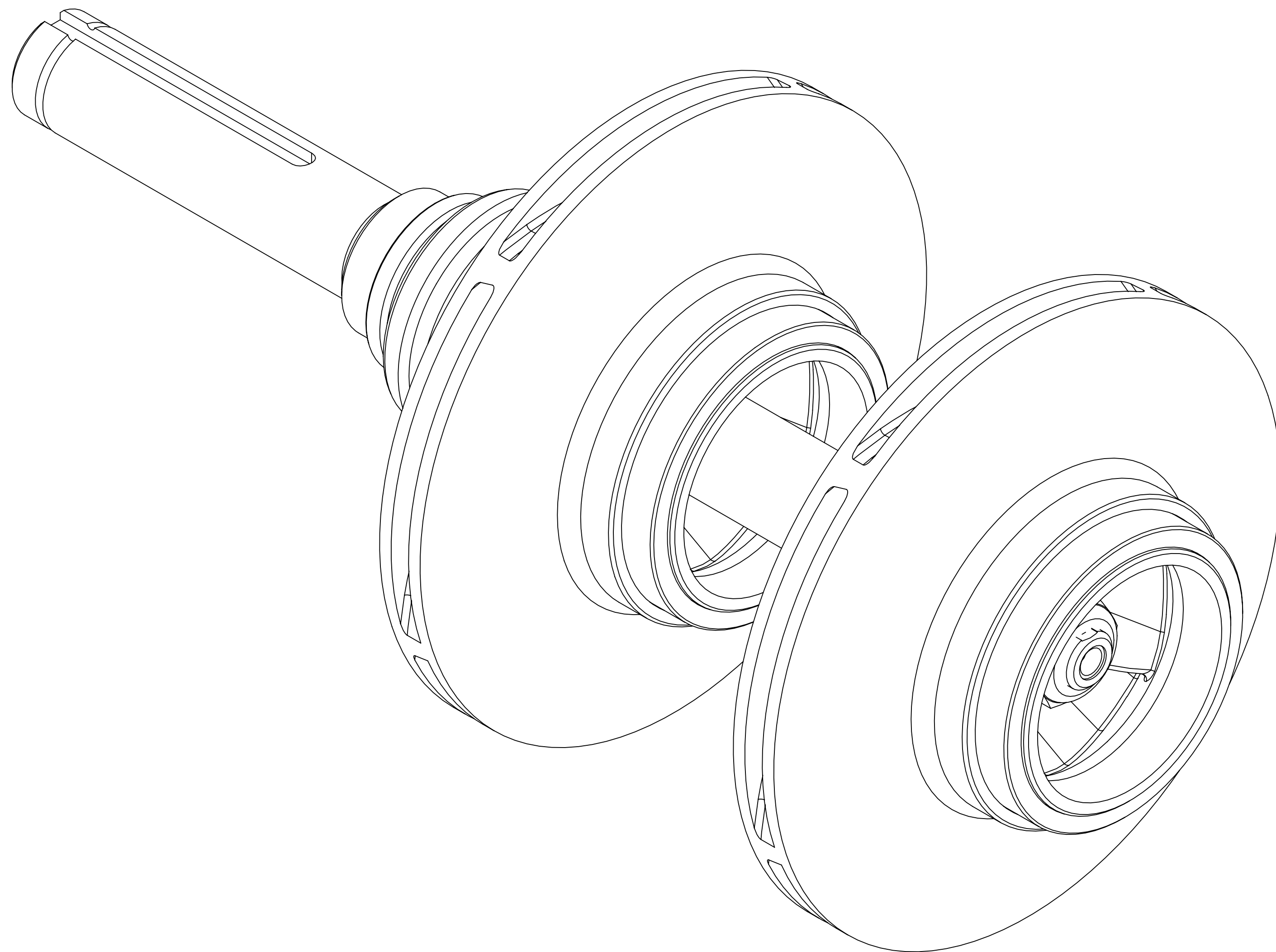


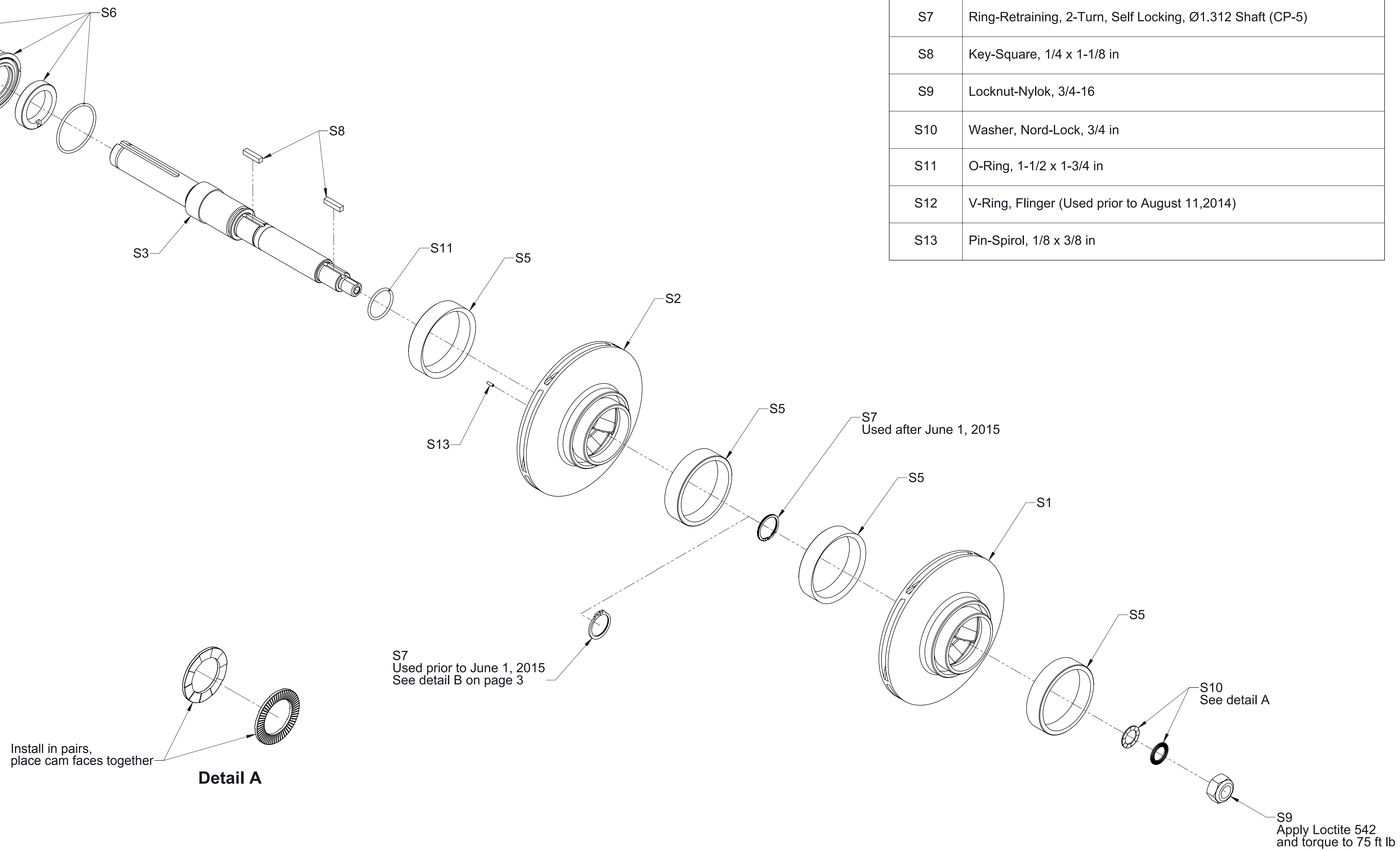
**CP-5 Series Pump Impeller Shaft
Service Parts List**

View	See Page
Exploded View	2
Cross Section View	3

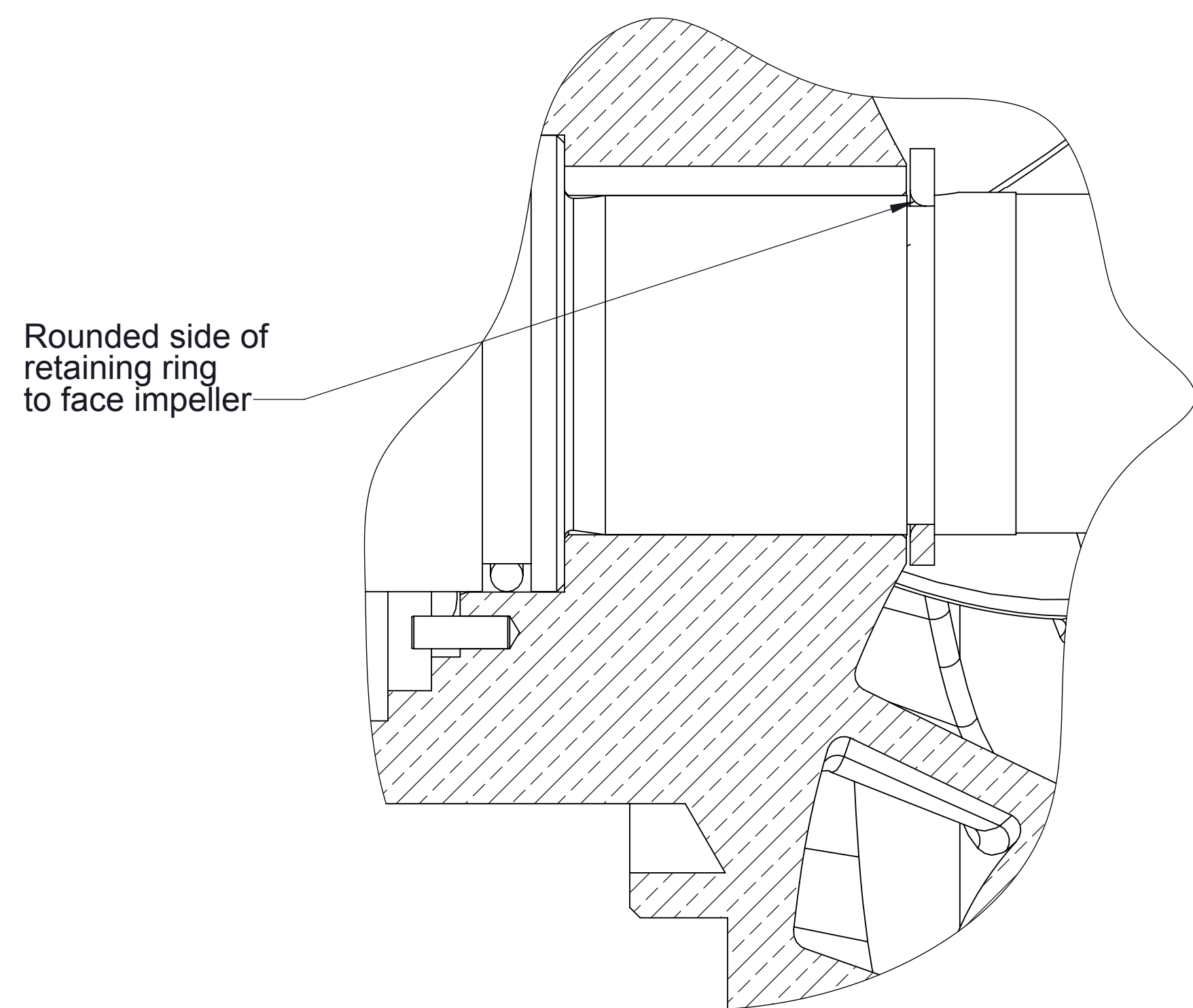
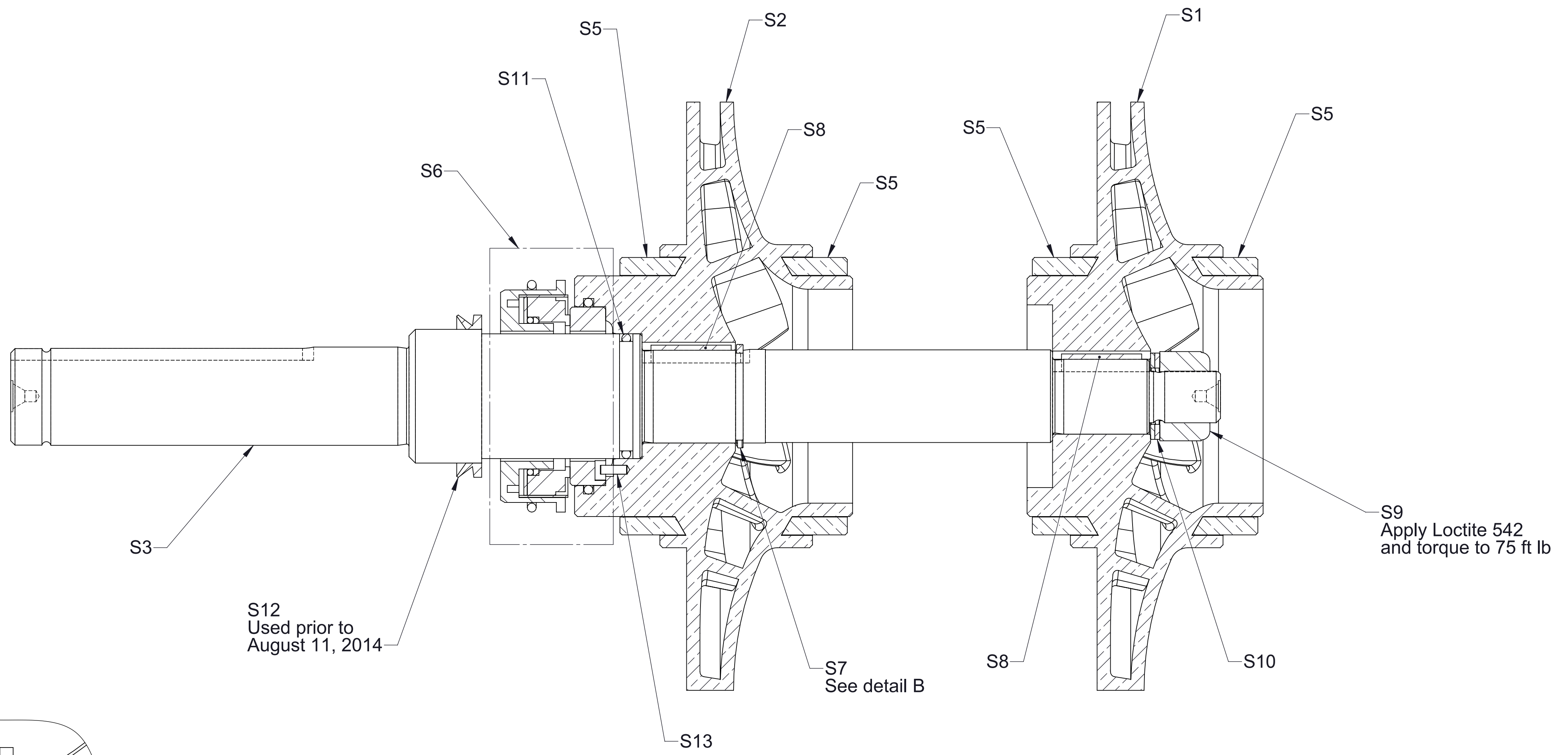


Ref No.	Description
S1	Impeller-1st Stage, CW
S2	Impeller-2nd Stage, CW
S3	Shaft-Impeller
S5	Ring-Wear (Available in standard or .025, .050 and .075 undersize)
S6	Mechanical Seal Kit (Includes S7, S9, S10 and S11 components. Also includes B6 and B7 from body assembly)
S7	Ring-Retraining, 2-Turn, Self Locking, Ø1.312 Shaft (CP-5)
S8	Key-Square, 1/4 x 1-1/8 in
S9	Locknut-Nylok, 3/4-16
S10	Washer, Nord-Lock, 3/4 in
S11	O-Ring, 1-1/2 x 1-3/4 in
S12	V-Ring, Flinger (Used prior to August 11,2014)
S13	Pin-Spirol, 1/8 x 3/8 in

S12
Used prior to
August 11, 2014



Impeller Shaft Assembly
CW Input Rotation



Impeller Shaft Assembly
 CW Input Rotation
 See page 2 for part descriptions

Detail B
 Prior to June 1, 2015