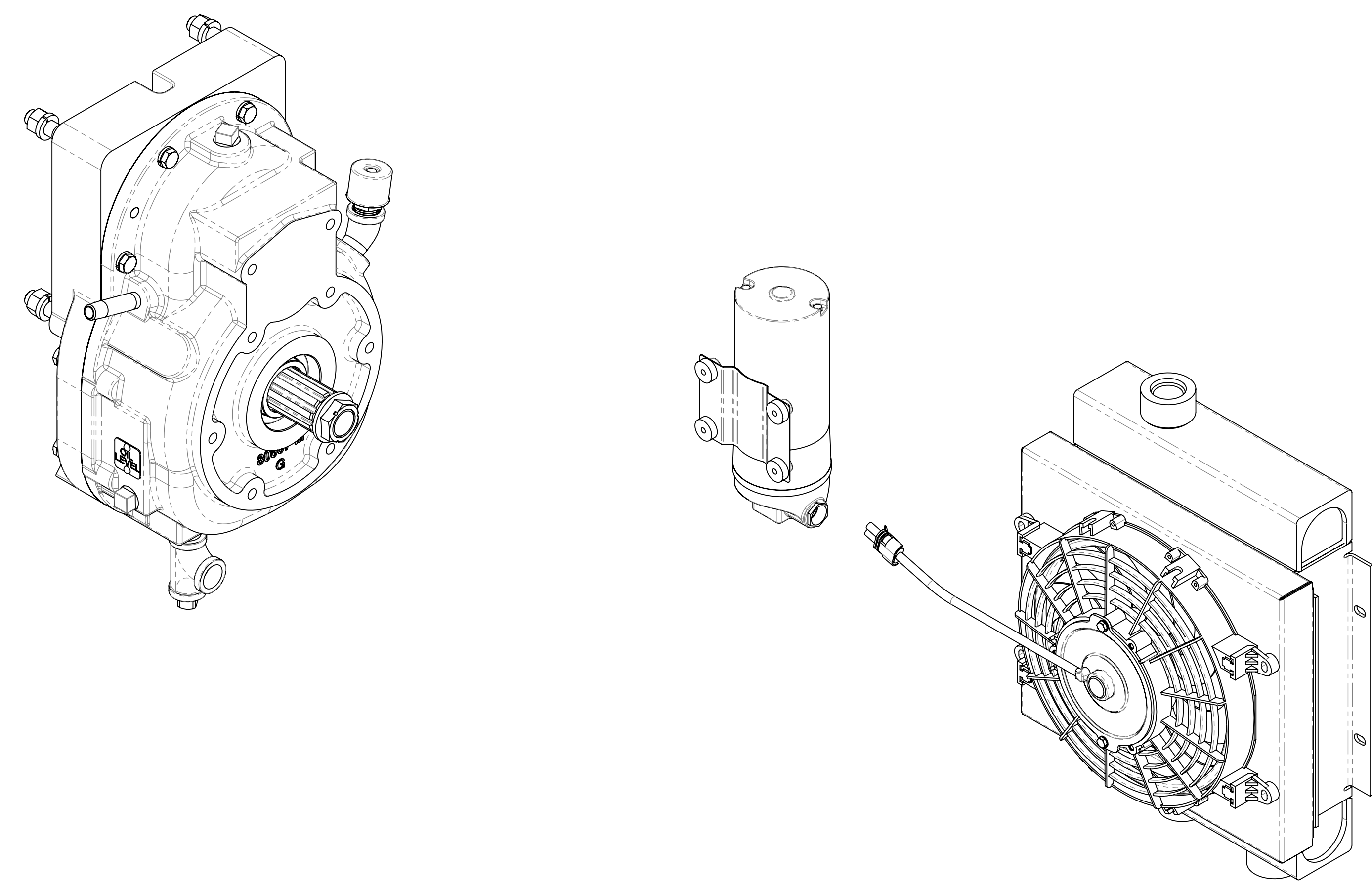
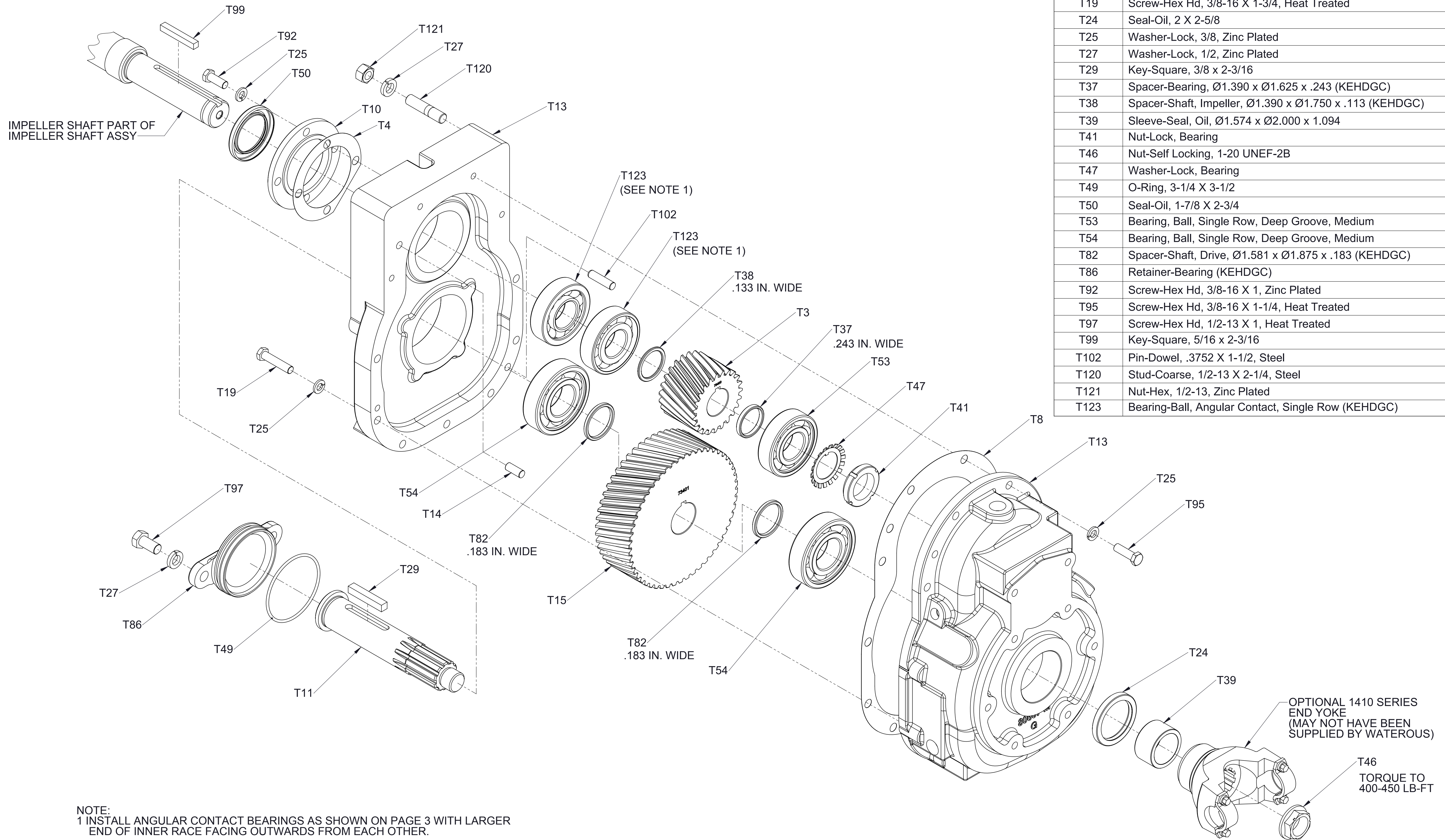


Extra Heavy Duty K Transmission Service Parts List

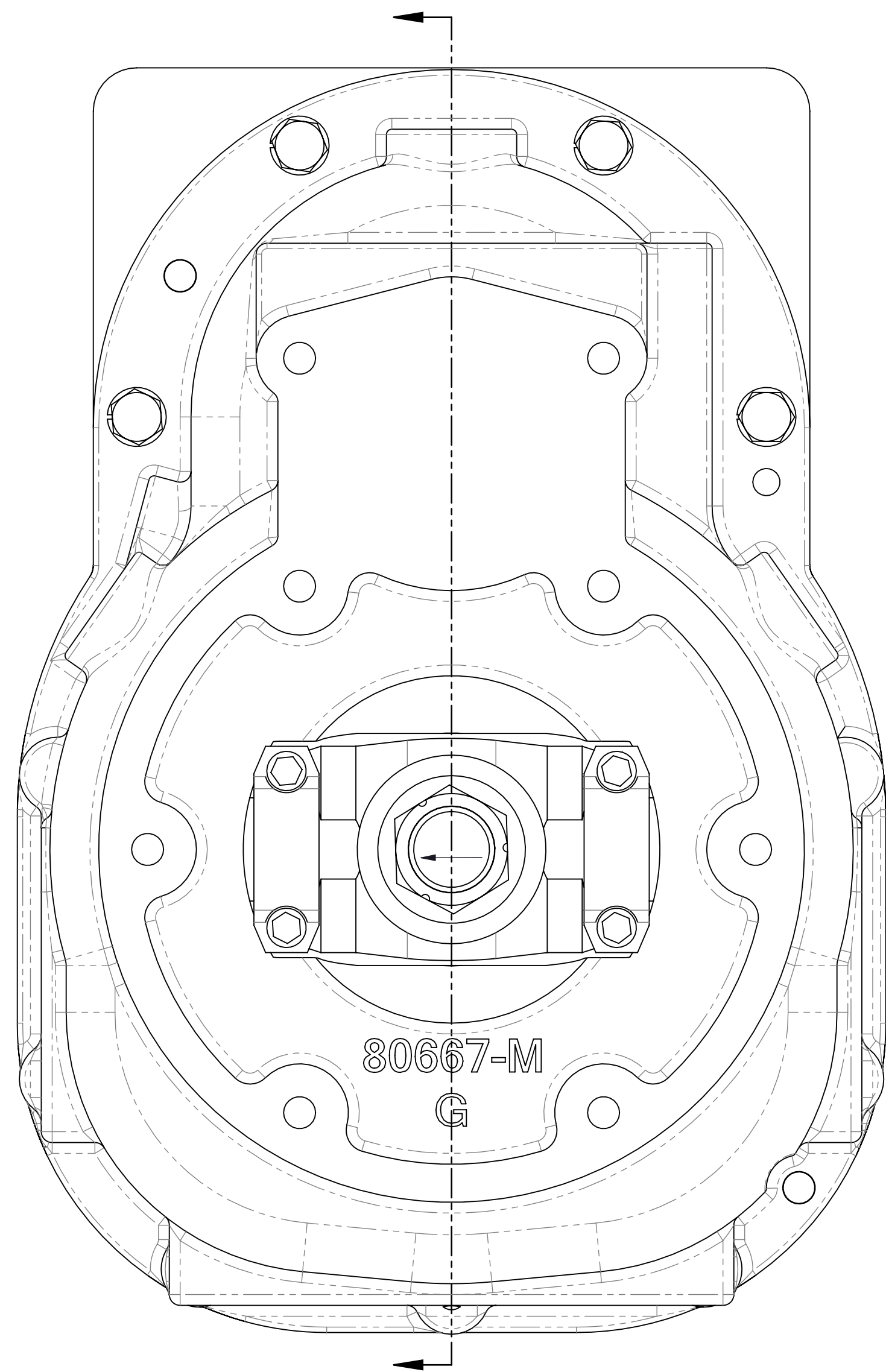
Pump Model	Pump Impeller Shaft Design	Transmission Input Shaft	Transmission Mounting	See Sheet			
				Exploded View	Cross Section View	Breather, Drain, & Oil Level	Oil Cooler
CP-5	One-Piece (Non-Separable)	CW 1-1/2-10 SAE Spline	INVERTED	2	3	4	5
			HORIZONTAL (RH)				
			VERTICAL				



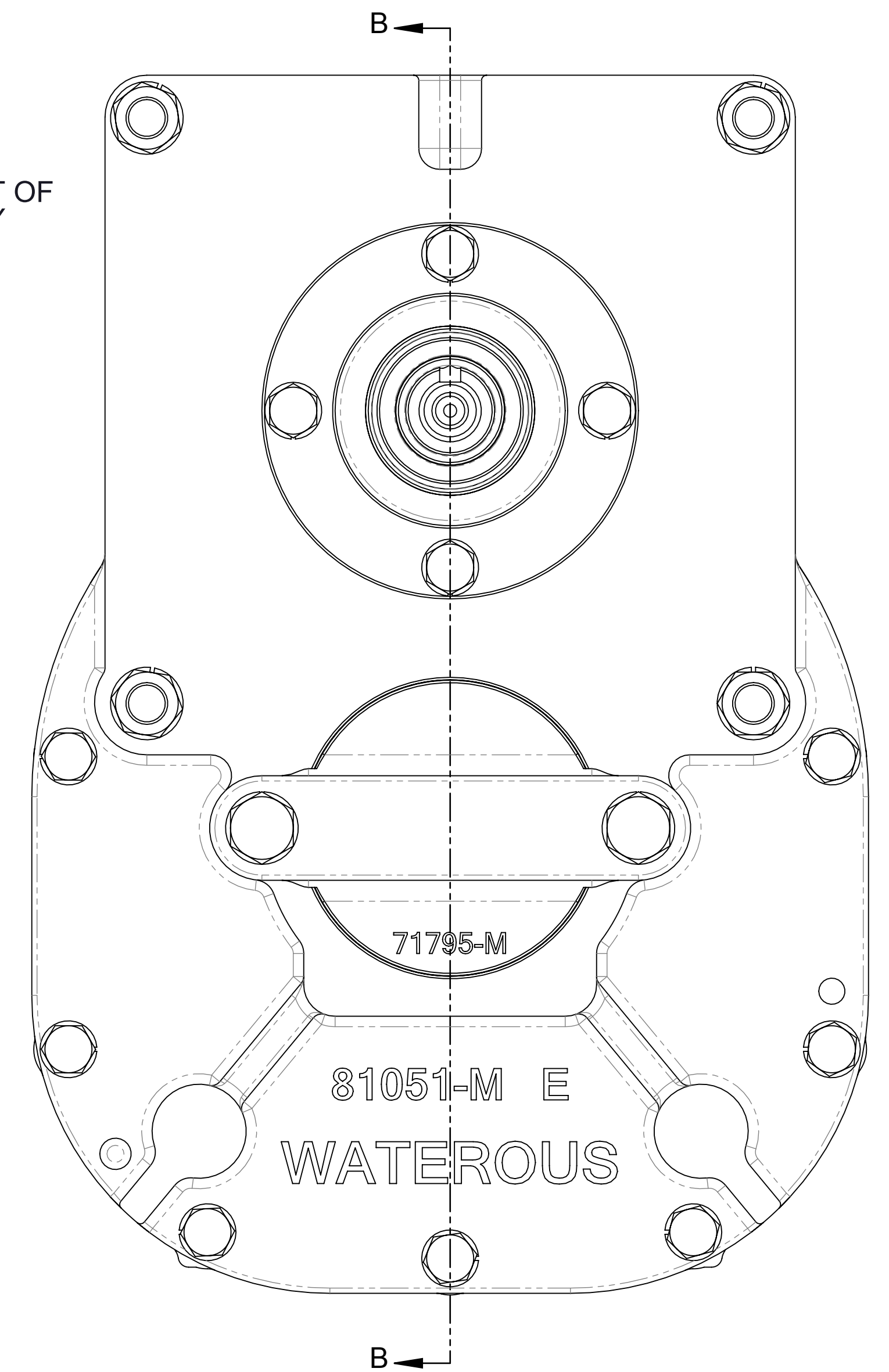
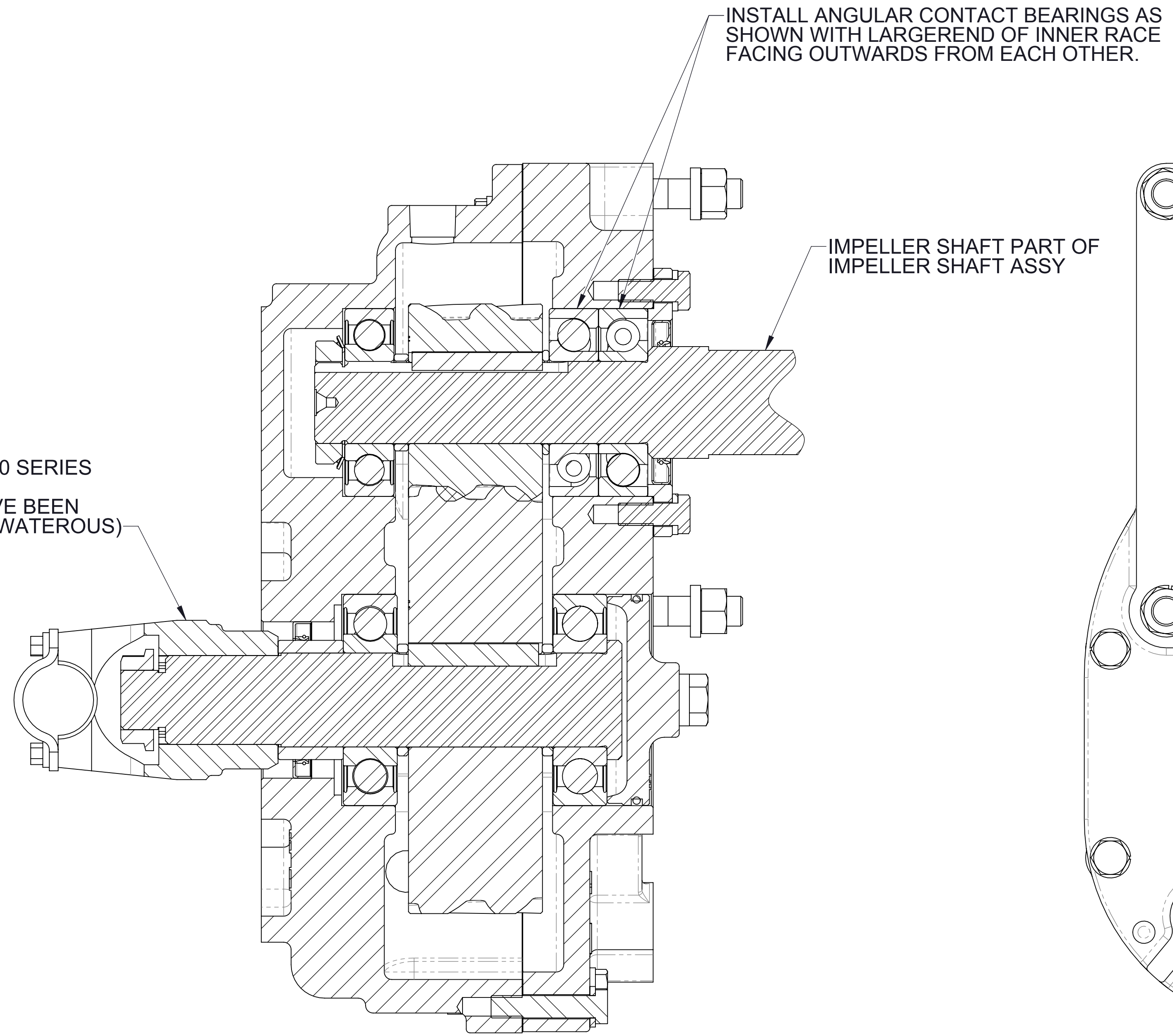
REF NO.	DESCRIPTION
T3	Gear-Driven, 23T, RH (KEHDGC)
T4	Gasket-Oil Seal Housing (KGC)
T8	Gasket-Case (KEHDGC)
T10	Housing-Oil Seal (KEHDGC)
T11	Shaft-Drive (KEHDGC)
T13	Housing-Bearing (KEHDGC)
T13	Case-Gear (KEHDGC)
T14	Pin-Dowel, .3752 X 1, Steel
T15	Gear-Drive, 52T, LH (KEHDGC)
T19	Screw-Hex Hd, 3/8-16 X 1-3/4, Heat Treated
T24	Seal-Oil, 2 X 2-5/8
T25	Washer-Lock, 3/8, Zinc Plated
T27	Washer-Lock, 1/2, Zinc Plated
T29	Key-Square, 3/8 x 2-3/16
T37	Spacer-Bearing, Ø1.390 x Ø1.625 x .243 (KEHDGC)
T38	Spacer-Shaft, Impeller, Ø1.390 x Ø1.750 x .113 (KEHDGC)
T39	Sleeve-Seal, Oil, Ø1.574 x Ø2.000 x 1.094
T41	Nut-Lock, Bearing
T46	Nut-Self Locking, 1-20 UNEF-2B
T47	Washer-Lock, Bearing
T49	O-Ring, 3-1/4 X 3-1/2
T50	Seal-Oil, 1-7/8 X 2-3/4
T53	Bearing, Ball, Single Row, Deep Groove, Medium
T54	Bearing, Ball, Single Row, Deep Groove, Medium
T82	Spacer-Shaft, Drive, Ø1.581 x Ø1.875 x .183 (KEHDGC)
T86	Retainer-Bearing (KEHDGC)
T92	Screw-Hex Hd, 3/8-16 X 1, Zinc Plated
T95	Screw-Hex Hd, 3/8-16 X 1-1/4, Heat Treated
T97	Screw-Hex Hd, 1/2-13 X 1, Heat Treated
T99	Key-Square, 5/16 x 2-3/16
T102	Pin-Dowel, .3752 X 1-1/2, Steel
T120	Stud-Coarse, 1/2-13 X 2-1/4, Steel
T121	Nut-Hex, 1/2-13, Zinc Plated
T123	Bearing-Ball, Angular Contact, Single Row (KEHDGC)



TRANSMISSION ASSEMBLY (EXPLODED VIEW)

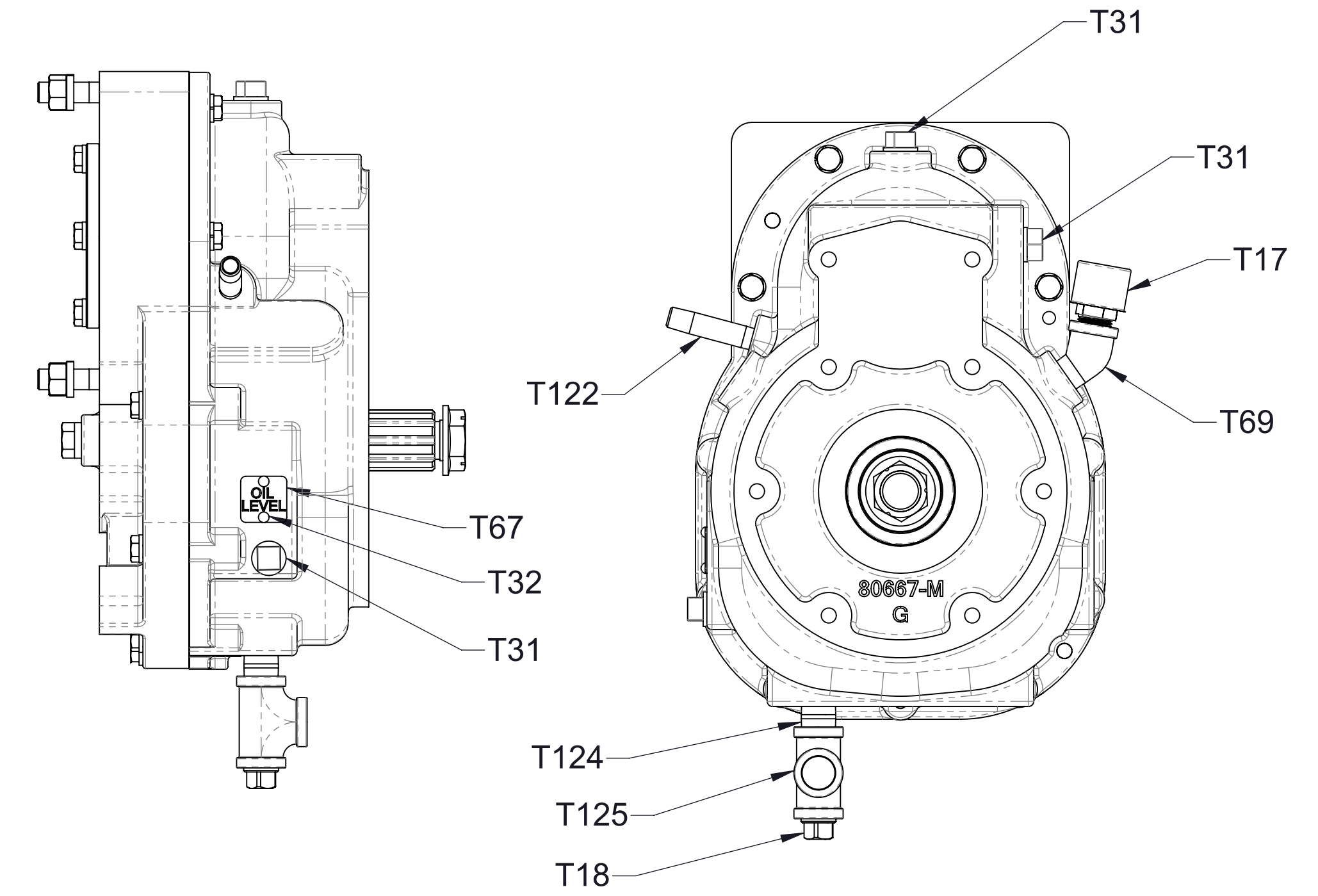
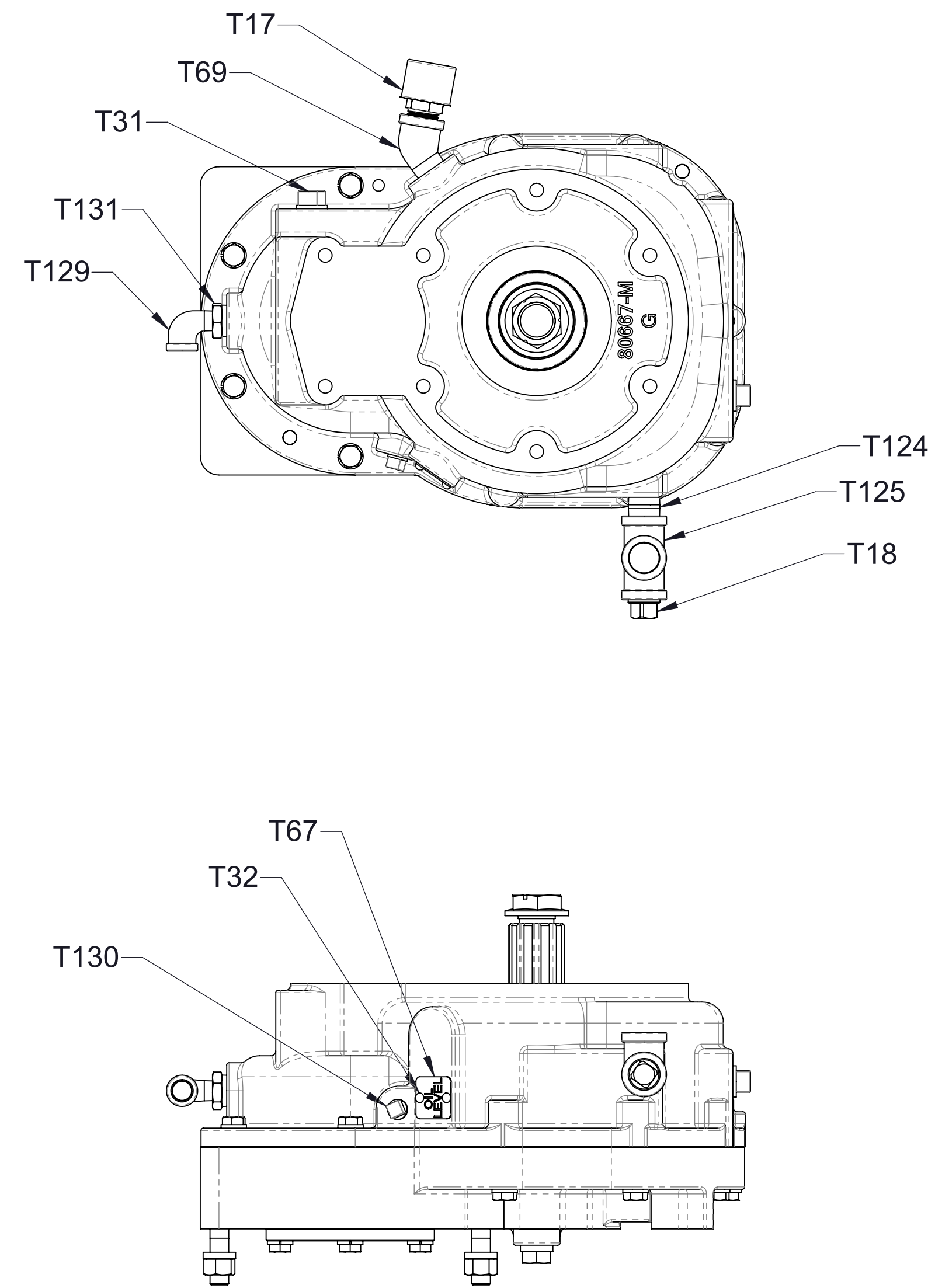
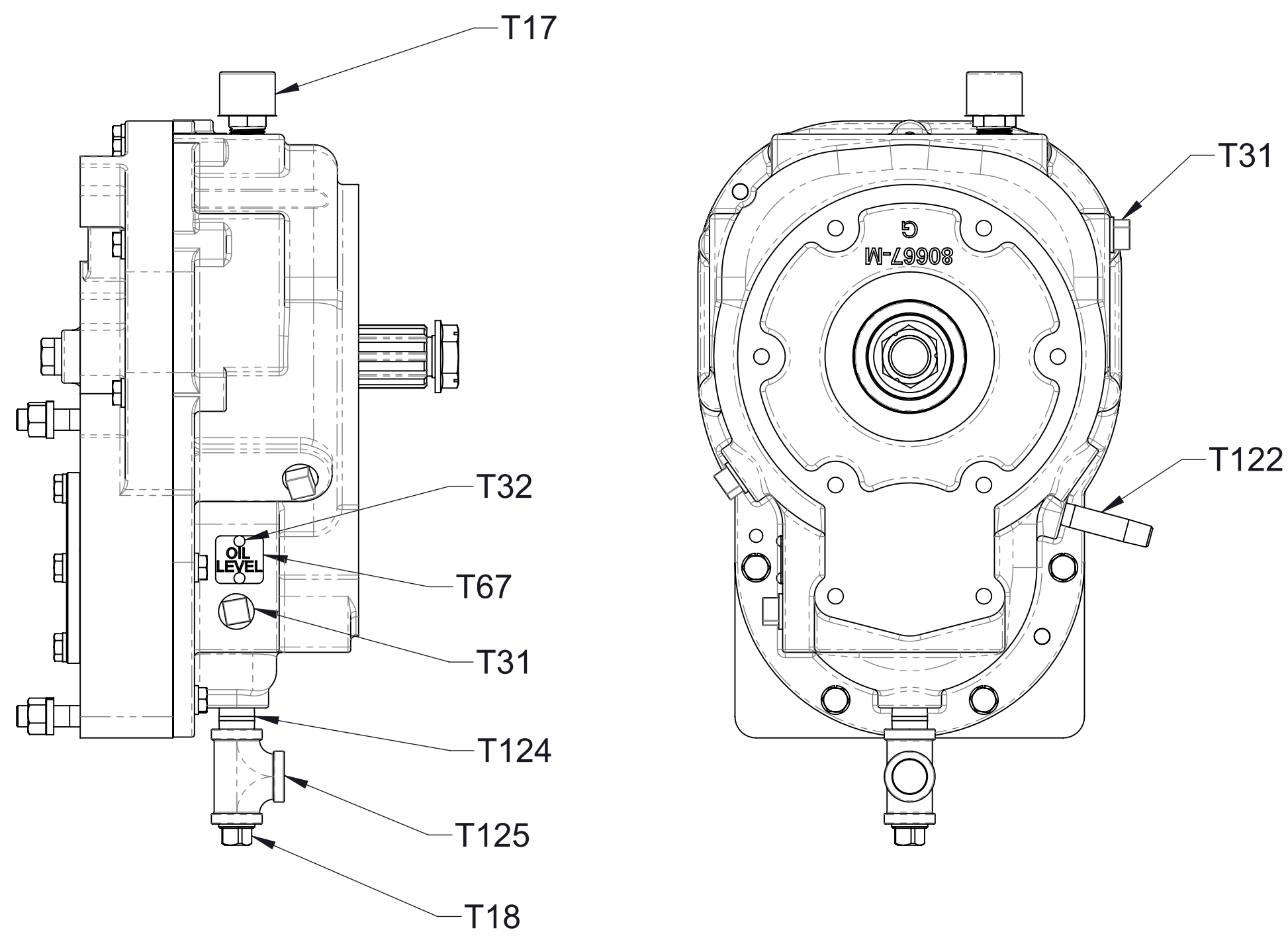


OPTIONAL 1410 SERIES
END YOKE
(MAY NOT HAVE BEEN
SUPPLIED BY WATEROUS)



SEE PAGE 2 FOR PART DESCRIPTIONS

TRANSMISSION ASSEMBLY (SECTION VIEW)



REF NO.	DESCRIPTION
T17	Breather, 1/2
T18	Plug-Drain, Magnetic, 1/2
T31	Plug-Pipe, Square Hd, 1/2 NPT, Steel
T32	Screw-Drive, #6 X 1/4, Steel
T67	Plate-Oil Level
T122	Nipple-Pipe, 1/4 X 2-1/2, Steel
T124	Nipple-Pipe, 1/2 X 1-1/2, Steel
T125	Tee-Standard, Pipe, 1/2, Steel

REF NO.	DESCRIPTION
T17	Breather, 1/2
T18	Plug-Drain, Magnetic, 1/2
T31	Plug-Pipe, Square Hd, 1/2 NPT, Steel
T32	Screw-Drive, #6 X 1/4, Steel
T67	Plate-Oil Level
T69	Elbow, Street, 45deg, 1/2, Iron
T124	Nipple-Pipe, 1/2 X 1-1/2, Steel
T125	Tee-Standard, Pipe, 1/2, Steel
T129	Elbow-Street, 90deg, 1/4NPT, Iron
T130	Plug-Pipe, Square Hd, 1/4 NPT, Steel
T131	Bushing-Reducing, Pipe, 1/2 X 1/4, Cast Iron

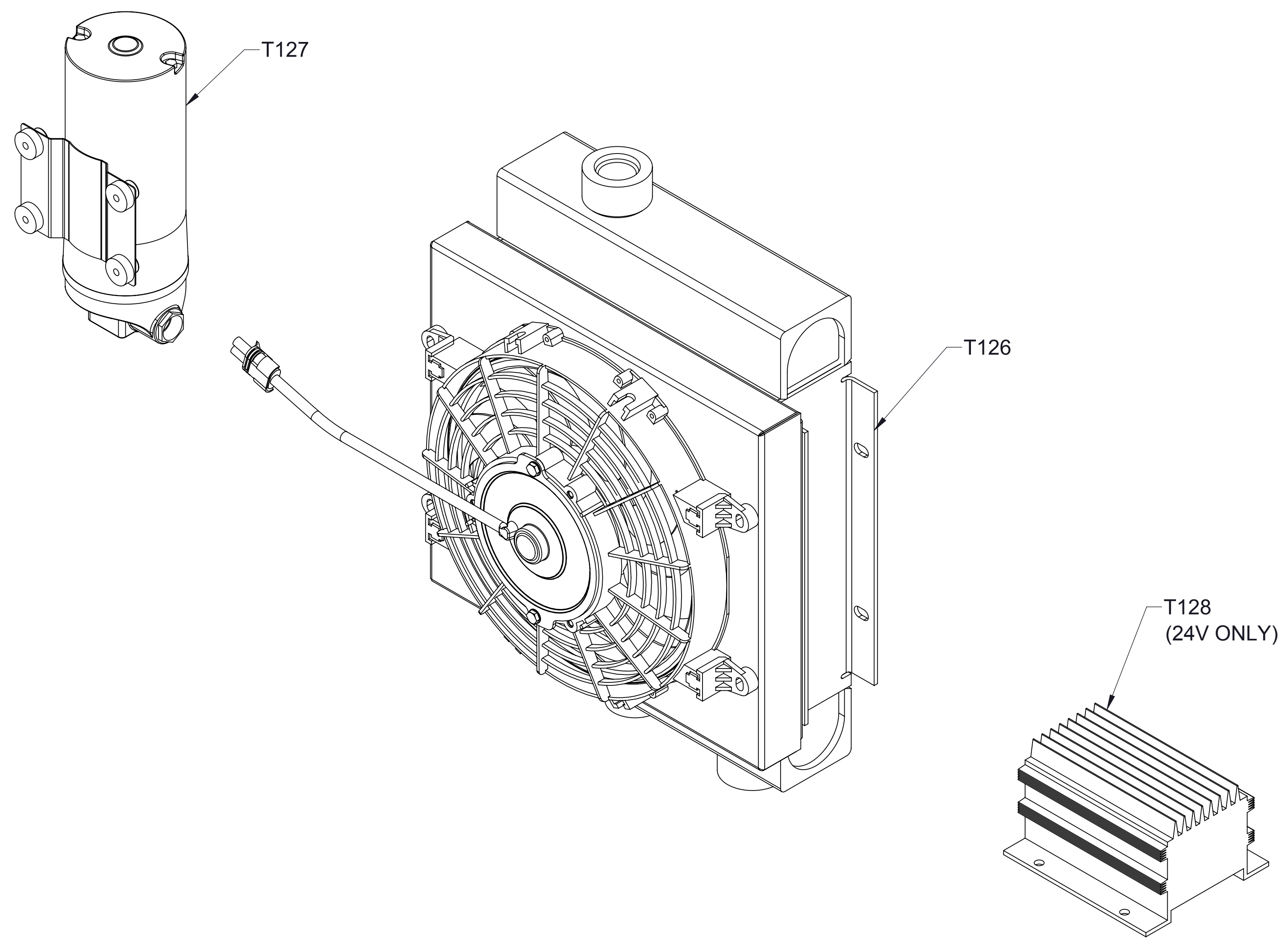
REF NO.	DESCRIPTION
T17	Breather, 1/2
T18	Plug-Drain, Magnetic, 1/2
T31	Plug-Pipe, Square Hd, 1/2 NPT, Steel
T32	Screw-Drive, #6 X 1/4, Steel
T67	Plate-Oil Level
T69	Elbow, Street, 45deg, 1/2, Iron
T122	Nipple-Pipe, 1/4 X 2-1/2, Steel
T124	Nipple-Pipe, 1/2 X 1-1/2, Steel
T125	Tee-Standard, Pipe, 1/2, Steel

INVERTED MOUNTING

HORIZONTAL (RH) MOUNTING

VERTICAL MOUNTING

BREATHER, DRAIN, AND OIL LEVEL COMPONENTS



REF NO.	DESCRIPTION
T126	Cooler, Oil (CP-5)
T127	Pump-Cooler (CP-5)
T128	Converter, 24/12 Volt, 10 Amp Output (Module)

EXTERNAL OIL COOLER