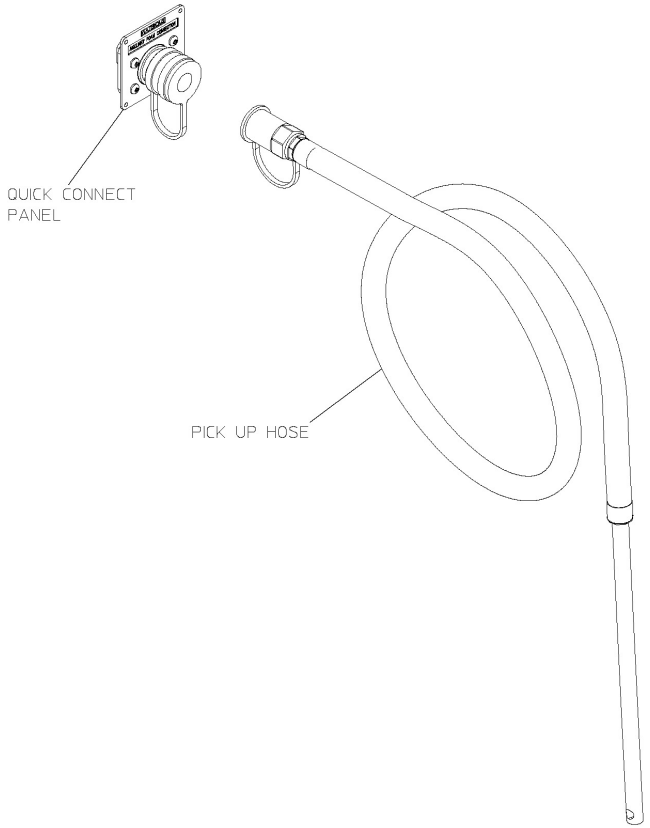


Overboard Foam Pick Up Service Parts Lists



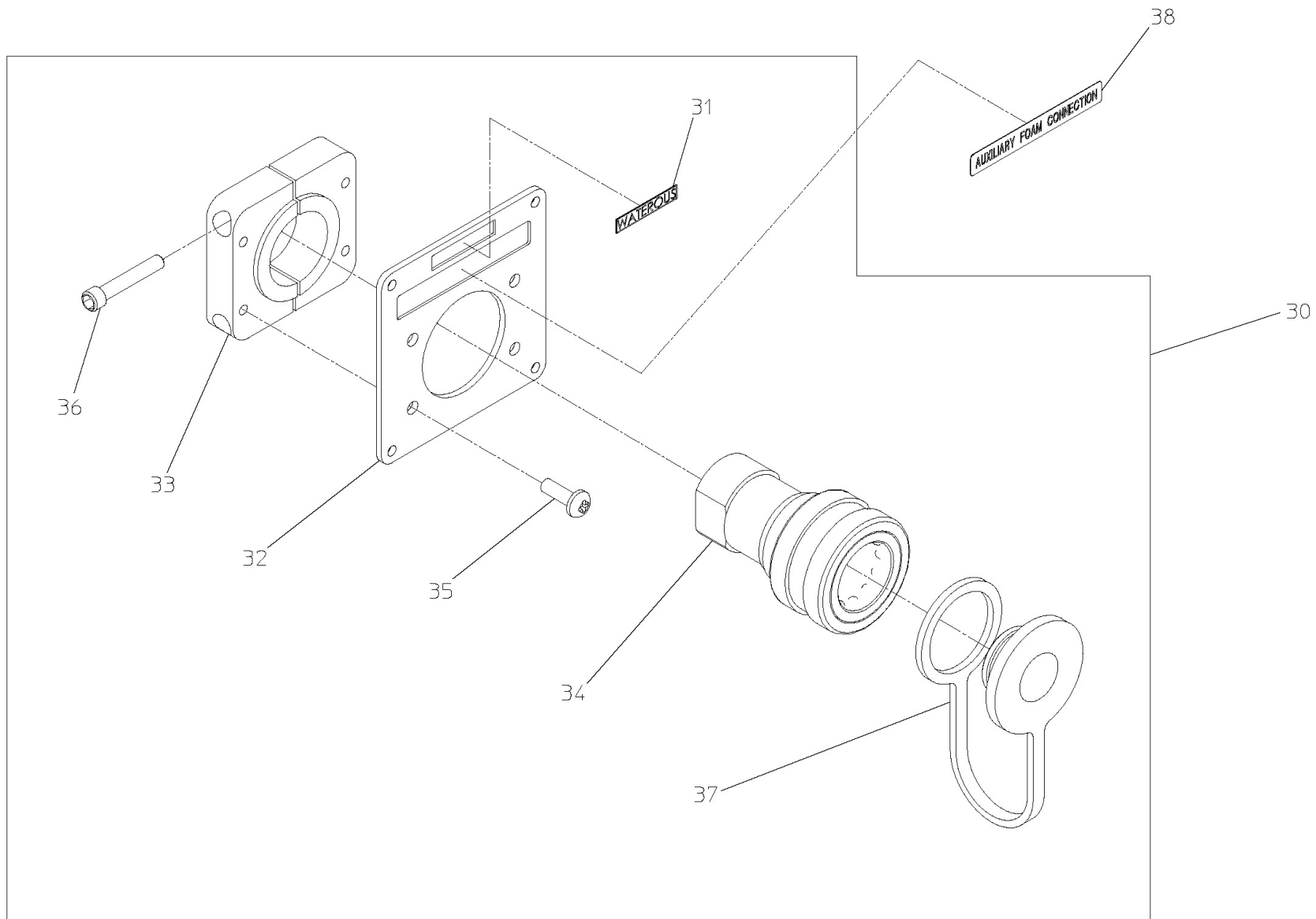
Index:

Component	See Pages
Quick Connect Panel	2, 3
Overboard Pick Up Hose	4, 5

Quick Connect Panel

REF NO.	DESCRIPTION
30	Quick Connect Panel Ass'y (Includes 31 thru 37)
31	Waterous Label, .30 x 1.485 in.
32	Panel Plate, Quick Connect
33	Collar Clamp

REF NO.	DESCRIPTION
34	Quick Connect Socket
35	Pan Hd Screw, No. 10-32 x $\frac{3}{4}$ in.
36	Socket Hd Screw, $\frac{1}{4}$ -20 x 1-1/2 in.
37	Dust Cap Plug
38	Auxiliary Foam Label

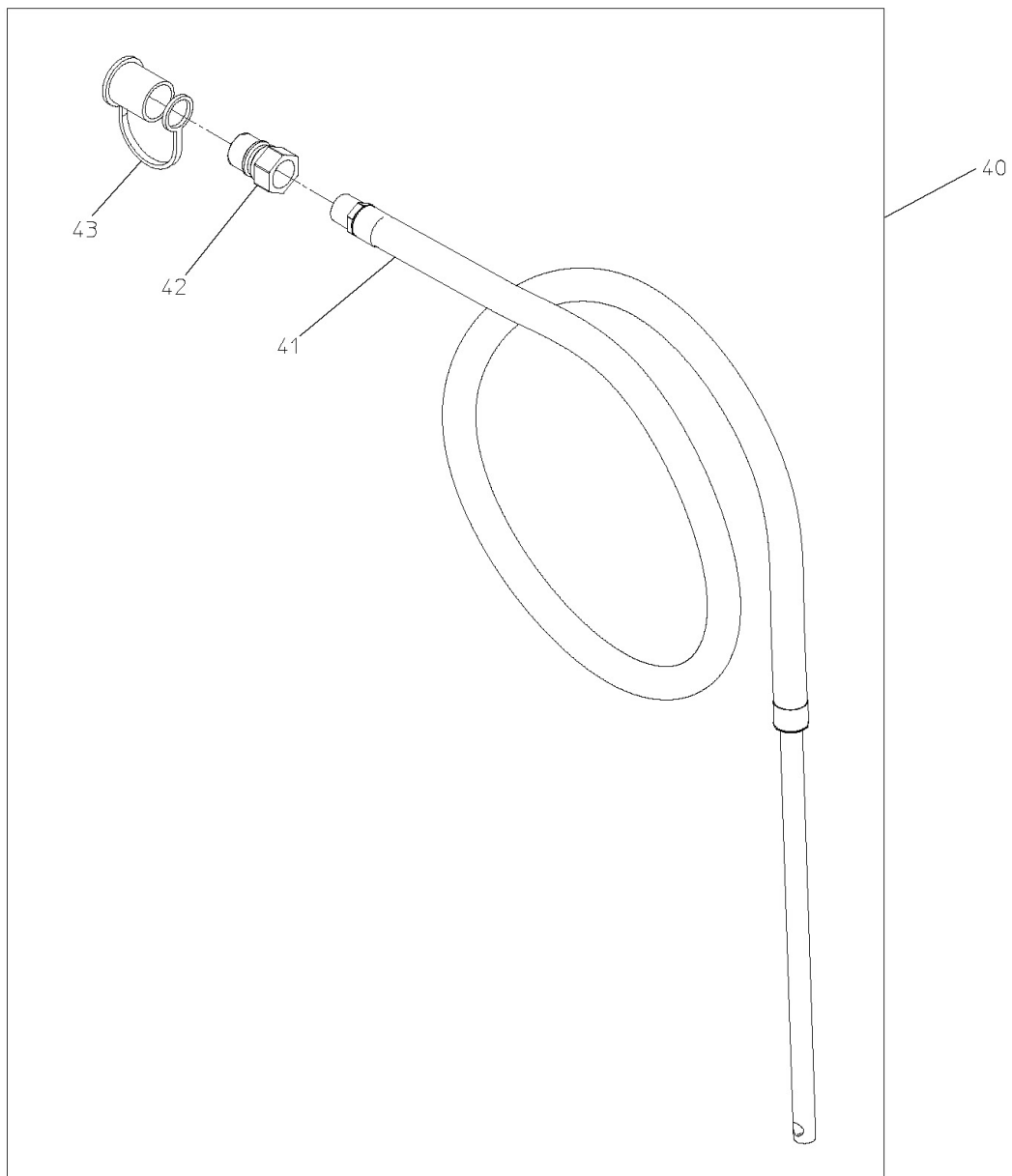


QUICK CONNECT PANEL

Overboard Pick Up Hose

REF NO.	DESCRIPTION
40	Overboard Pick Up Hose Ass'y (Includes 41 thru 43)
41	Foam Pick Up Hose

REF NO.	DESCRIPTION
42	Quick Connect Plug
43	Dust Cap Plug



OVERBOARD PICK UP HOSE