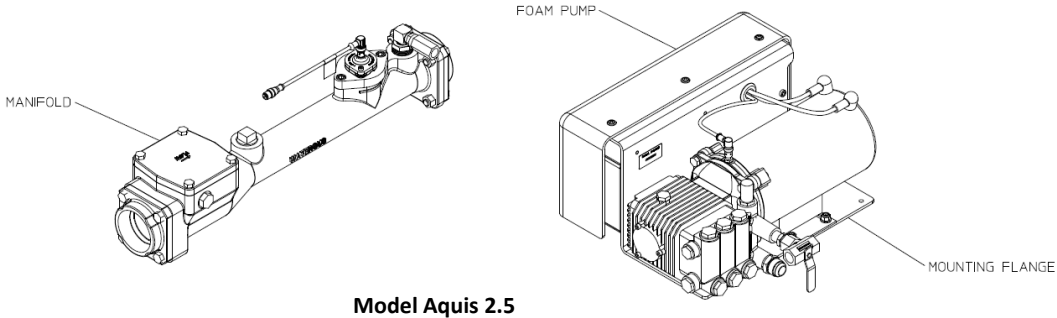


Aquis™ 2.5 Foam Pump Service Parts List

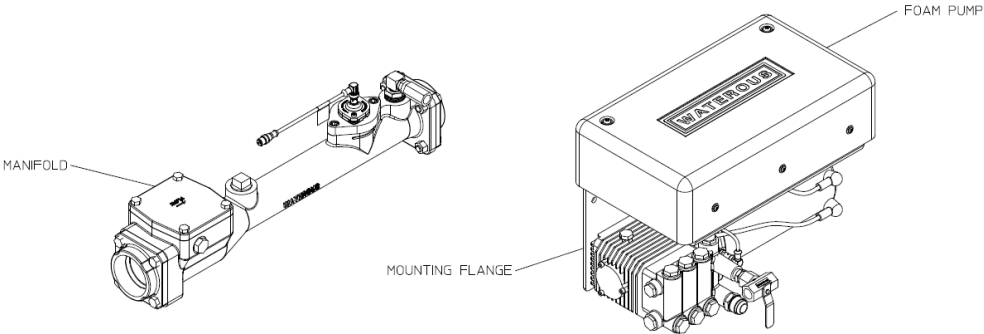
Models: Aquis 2.5, Aquis 2.5 SSP

Index:

Component		See Pages	
Foam Pump	Complete Unit	2, 3	
	Pump and Motor	Model Aquis 2.5	4, 5
		Model Aquis 2.5 SSP	6, 7
	Bracket and Control Module	8, 9	
	Control Box Wiring	10, 11	
Foam Manifold	2.5 in. Size	Integral Check Valve	12, 13
		Separate Check Valve	14, 15
	3.0 in. Size		16, 17
	Slide-In Units		18, 19
Panel Components		20, 21	
Foam Tank		22, 23	
Foam Supply and Inject/By-Pass Hose Kits		See Service Parts List SPL 83430	



Model Aquis 2.5

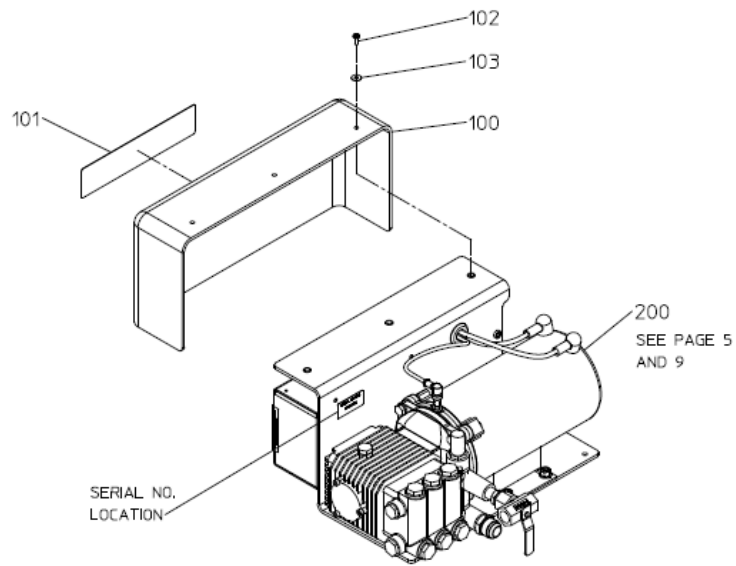


Model Aquis 2.5 SSP

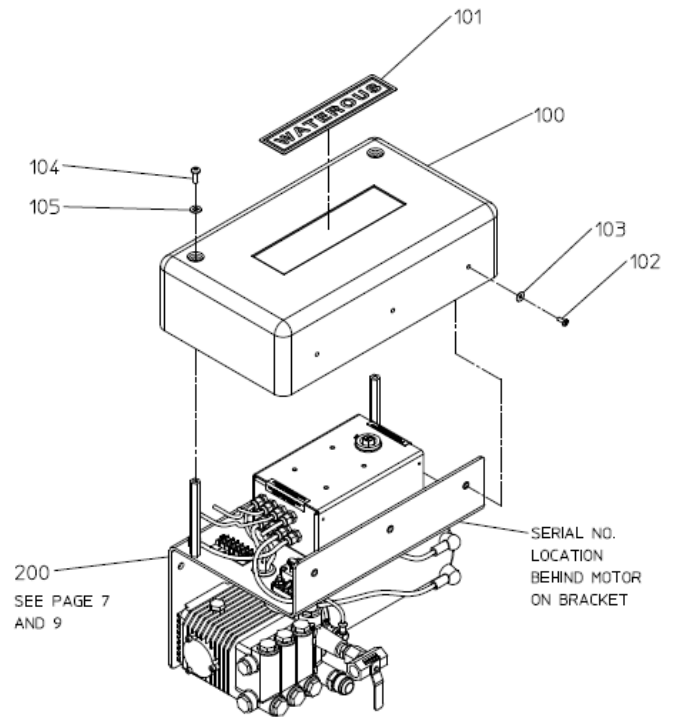
Foam Pump – Complete Unit

REF NO.	DESCRIPTION
100	Foam Pump Cover
101	Cover Label
102	Pan Head Screw, No. 10-32 x $\frac{3}{4}$ in.
103	Plain Washer, No. 10

REF NO.	DESCRIPTION
104	Pan Hd Screw, $\frac{1}{4}$ -20 x $\frac{3}{4}$
105	Plain Washer, $\frac{1}{4}$
200	Foam Pump Ass'y (Includes 201 thru 277)



MODEL: AQUIS 2.5



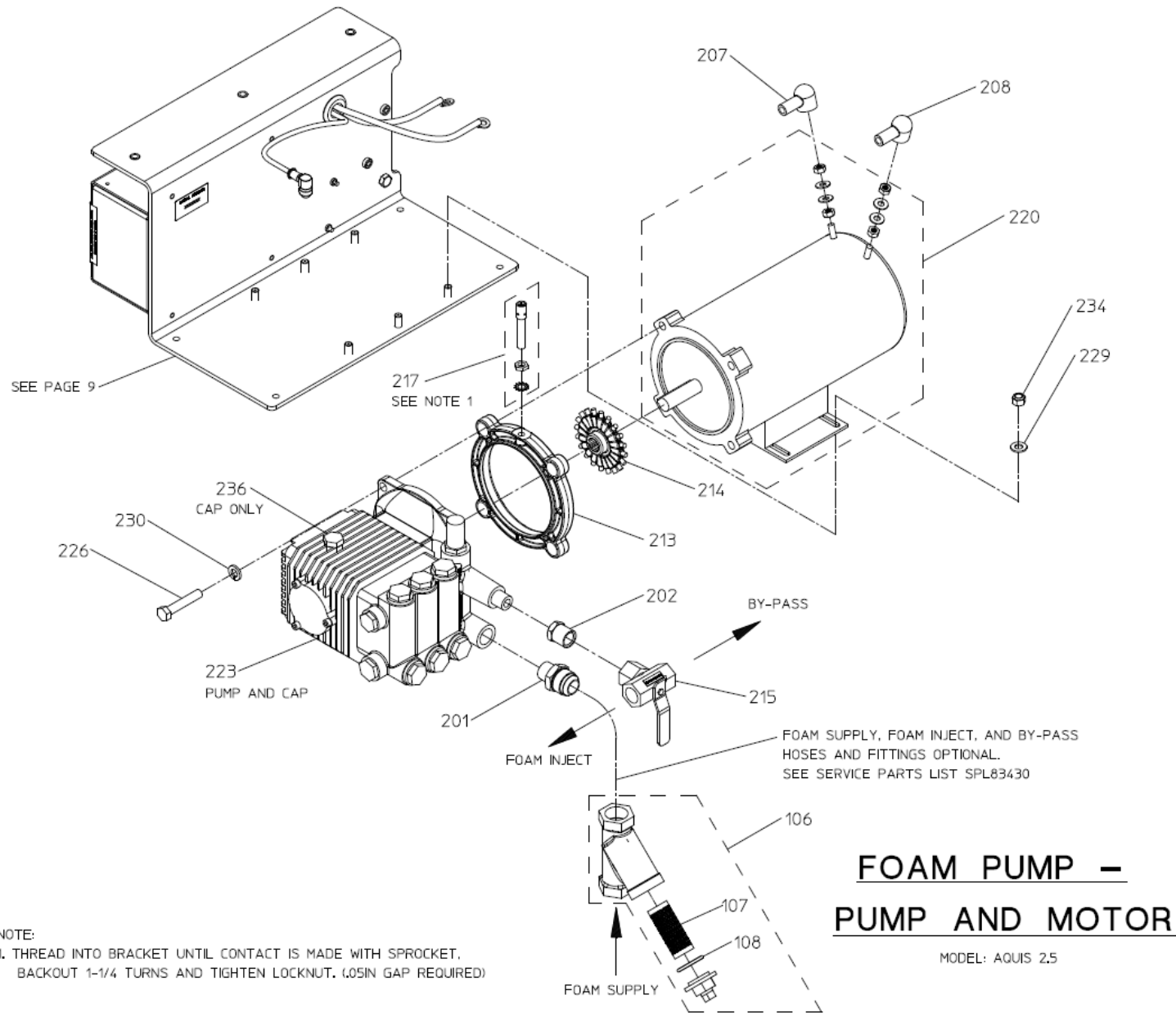
MODEL: AQUIS 2.5 SSP

FOAM PUMP – COMPLETE UNIT

Foam Pump – Pump and Motor
Model: Aquis 2.5

REF NO.	DESCRIPTION
106	Wye Strainer, 3/4 in. (Includes 107 and 108)
107	Strainer Screen
108	Strainer Gasket
201	Straight Adapter, 12 MJIC x ½ MNPT
202	Reducing Bushing, 3/8 MNPT x ½ FNPT
207	Black Boot
208	Red Boot
213	Pump Spacer
214	Sensor Wheel
215	3 Way Ball Valve
217	Product Sensor

REF NO.	DESCRIPTION
220	Electric Motor
223	Foam Pump (Includes 236)
226	Hex Head Screw, 3/8-16 x 2 in.
229	Plain Washer, 5/16 in.
230	Lock Washer, 3/8 in.
234	Nylok Hex Nut, 5/16-18
236	Oil Fill Cap, Dip Stick

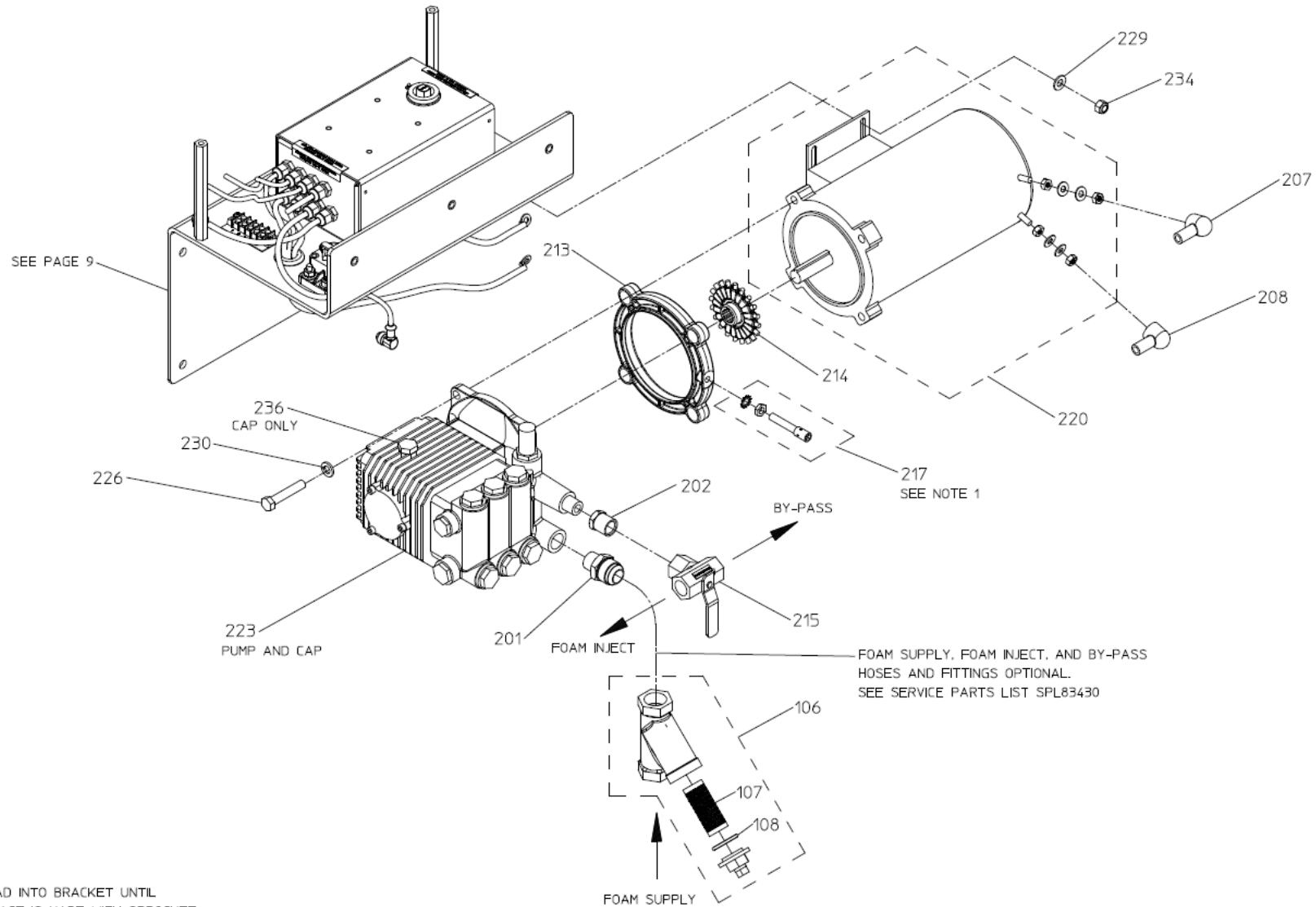


NOTE:
1. THREAD INTO BRACKET UNTIL CONTACT IS MADE WITH SPROCKET.
BACKOUT 1-1/4 TURNS AND TIGHTEN LOCKNUT. (.05IN GAP REQUIRED)

Foam Pump – Pump and Motor
Model: Aquis 2.5 SSP

REF NO.	DESCRIPTION
106	Wye Strainer, 3/4 in. (Includes 107 and 108)
107	Strainer Screen
108	Strainer Gasket
201	Straight Adapter, 12 MJIC x ½ MNPT
202	Reducing Bushing, 3/8 MNPT x ½ FNPT
207	Black Boot
208	Red Boot
213	Pump Spacer
214	Sensor Wheel
215	3 Way Ball Valve
217	Product Sensor

REF NO.	DESCRIPTION
220	Electric Motor
223	Foam Pump (Includes 236)
226	Hex Head Screw, 3/8-16 x 2 in.
229	Plain Washer, 5/16 in.
230	Lock Washer, 3/8 in.
234	Nylok Hex Nut, 5/16-18
236	Oil Fill Cap, Dip Stick



NOTE:
 1. THREAD INTO BRACKET UNTIL
 CONTACT IS MADE WITH SPROCKET.
 BACKOUT 1-1/4 TURNS AND TIGHTEN
 LOCKNUT. (.05IN GAP REQUIRED)

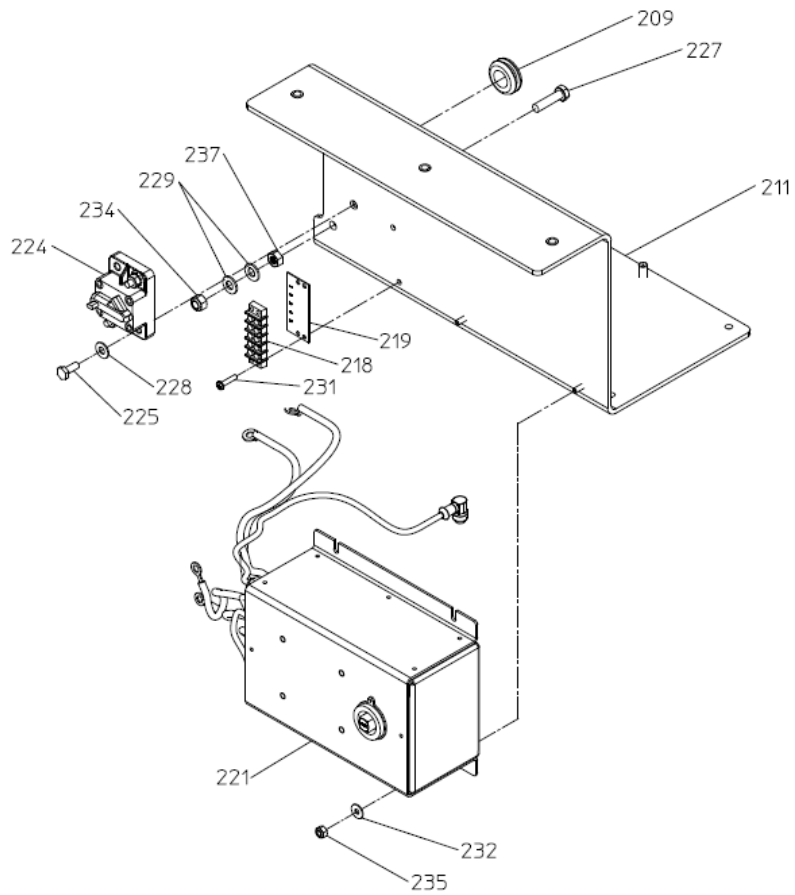
FOAM PUMP – PUMP AND MOTOR

MODEL: AQUIS 2.5 SSP

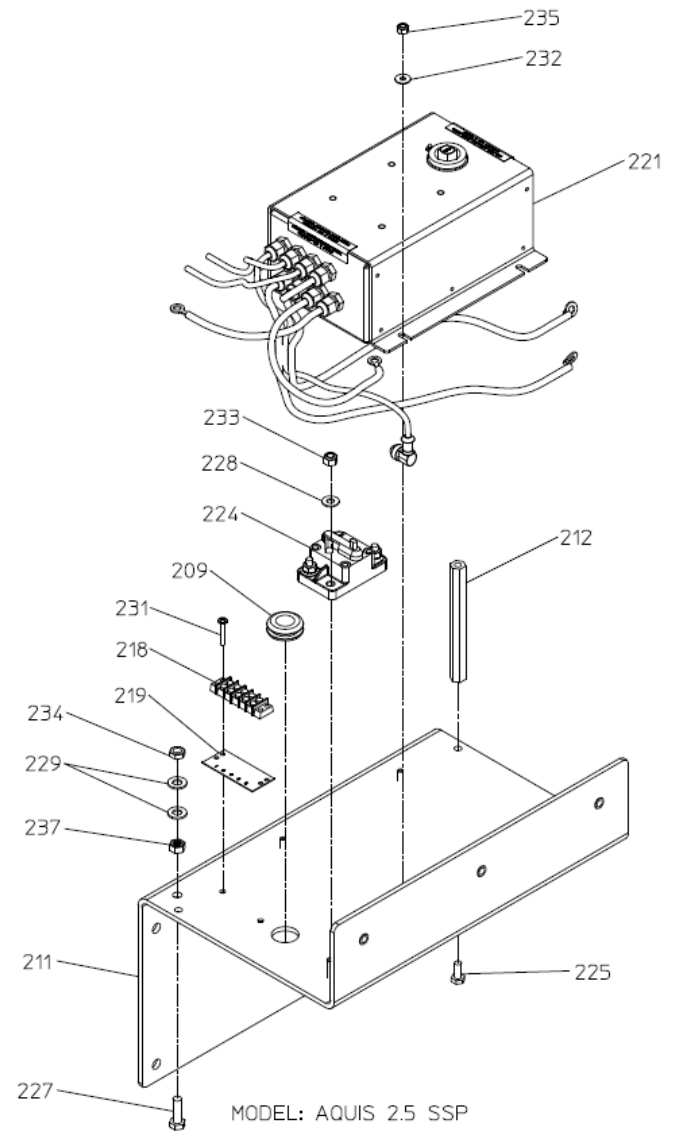
Foam Pump – Bracket and Control Module

REF NO.	DESCRIPTION
209	Grommet
211	Z Bracket
212	Standoff, ¼-20 x 5 in.
218	Terminal Block, 5 Position
219	Number Strip
221	Control Box
224	Circuit Breaker
225	Hex Head Screw, ¼-20 x 5/8 in.
225	Hex Head Screw, ¼-20 x ¾ in.
227	Hex Head Screw, 5/16-18 x 1-1/4 in.

REF NO.	DESCRIPTION
228	Plain Washer, ¼ in.
229	Plain Washer, 5/16 in.
231	Screw-Pan Head, No. 8-32 x ¾ in.
232	Plain Washer, No. 10
233	Nylok Hex Nut, ¼-20
234	Nylok Hex Nut, 5/16-18
235	Nylok Hex Nut, 10-32
237	Hex Nut, 5/16-18



MODEL: AQUIS 2.5



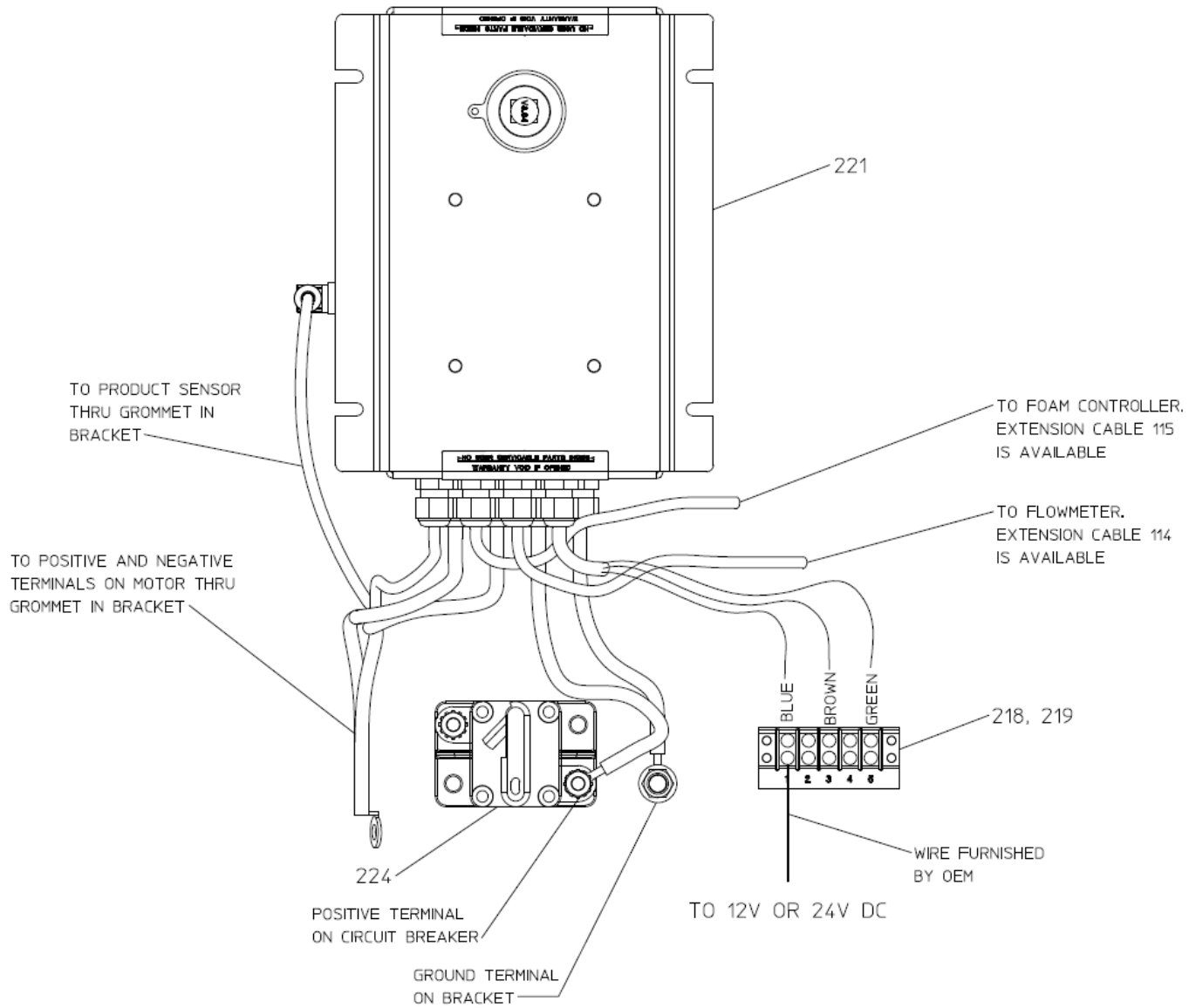
MODEL: AQUIS 2.5 SSP

FOAM PUMP – BRACKET & CONTROL MODULE

Foam Pump – Control Box Wiring

REF NO.	DESCRIPTION
218	Terminal Block, 5 Position
219	Number Strip

REF NO.	DESCRIPTION
221	Control Box
224	Circuit Breaker

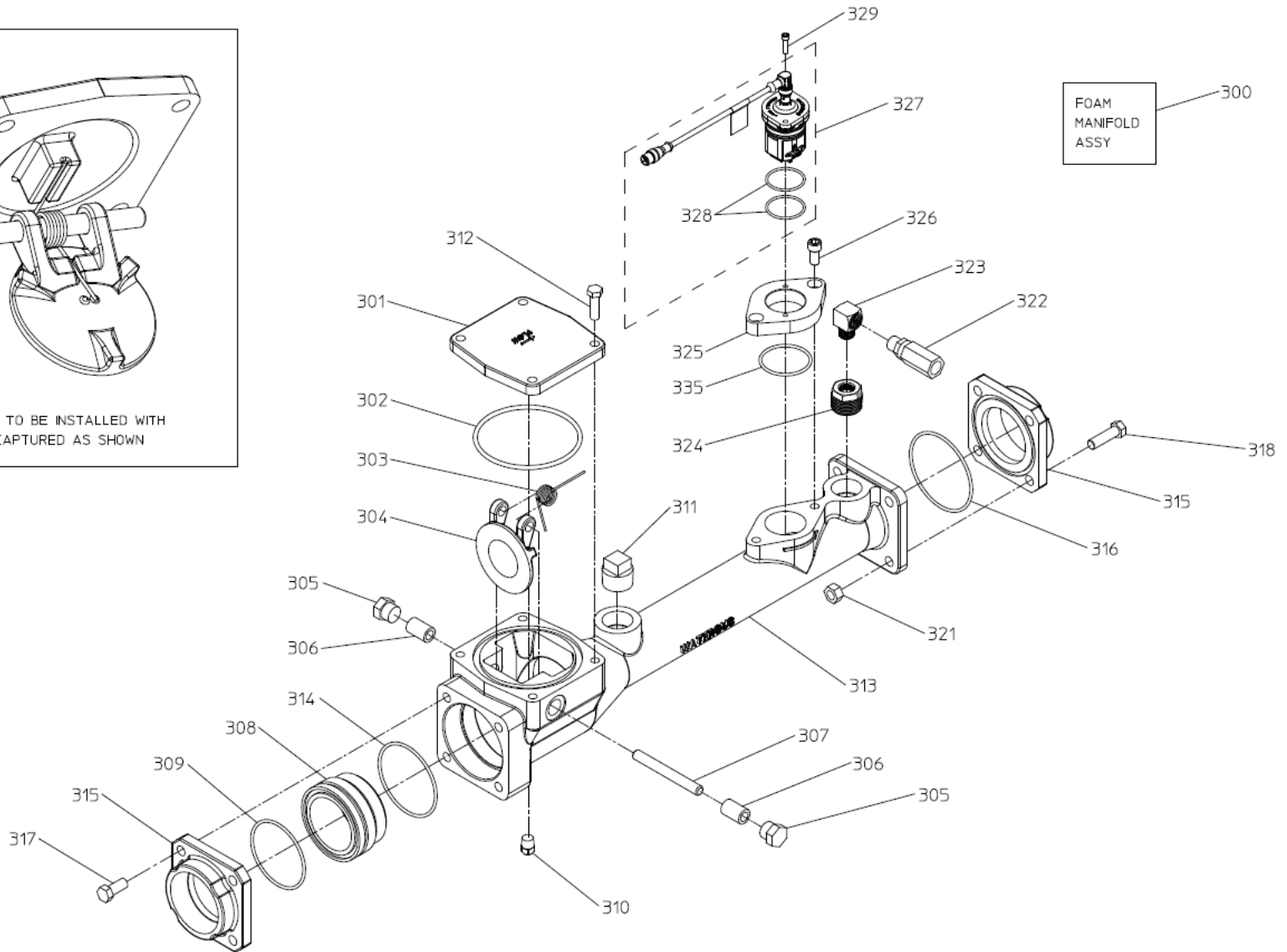
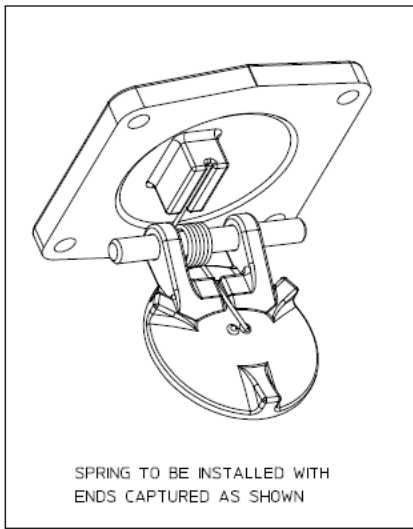


FOAM PUMP – CONTROL BOX WIRING

**Foam Manifold – 2.5 in. Size
Integral Check Valve**

REF NO.	DESCRIPTION
300	Manifold Assembly (Includes 301 thru 335)
301	Cover-Valve
302	O-ring, 4-1/4 x 4-5/8 in.
303	Torsion Spring
304	Valve Disc
305	Hex Head Plug
306	Shaft Spacer
307	Hinge Pin
308	Valve Seat
309	O-ring, 3 x 3-1/4 in.
310	Square Head Pipe Plug, 1/4 in. NPT
311	Square Head Pipe Plug, 1 in. NPT
312	Hex Head Screw, 3/8-16 x 1-1/4 in.
313	Pipe-Flowmeter
314	O-ring, 3-1/4 x 3-1/2 in.

REF NO.	DESCRIPTION
315	Tapped Flange, 4-Bolt, 2-1/2 in. NPT
316	O-ring, 3-1/2 x 3-3/4 in.
317	Hex Head Screw, 7/16-14 x 1 in.
318	Hex Head Screw, 7/16-20 x 1-1/2 in.
321	Hex Nut, 7/16-20
322	Check Valve, 3/8 in. NPT
323	Street Elbow, 90 Deg., 3/8 in. NPT
324	Reducing Bushing, 1 in. NPT x 3/8 in. NPT
325	Flowmeter Adapter
326	Screw-Socket Head, 3/8-16 x 3/4 in.
327	Flowmeter (Includes 328)
328	O-ring, 1-1/2 x 1-11/16 in.
329	Pan Head Screw, No. 10-32 x 3/4 in.
335	O-ring, 2 x 2-1/4 in.

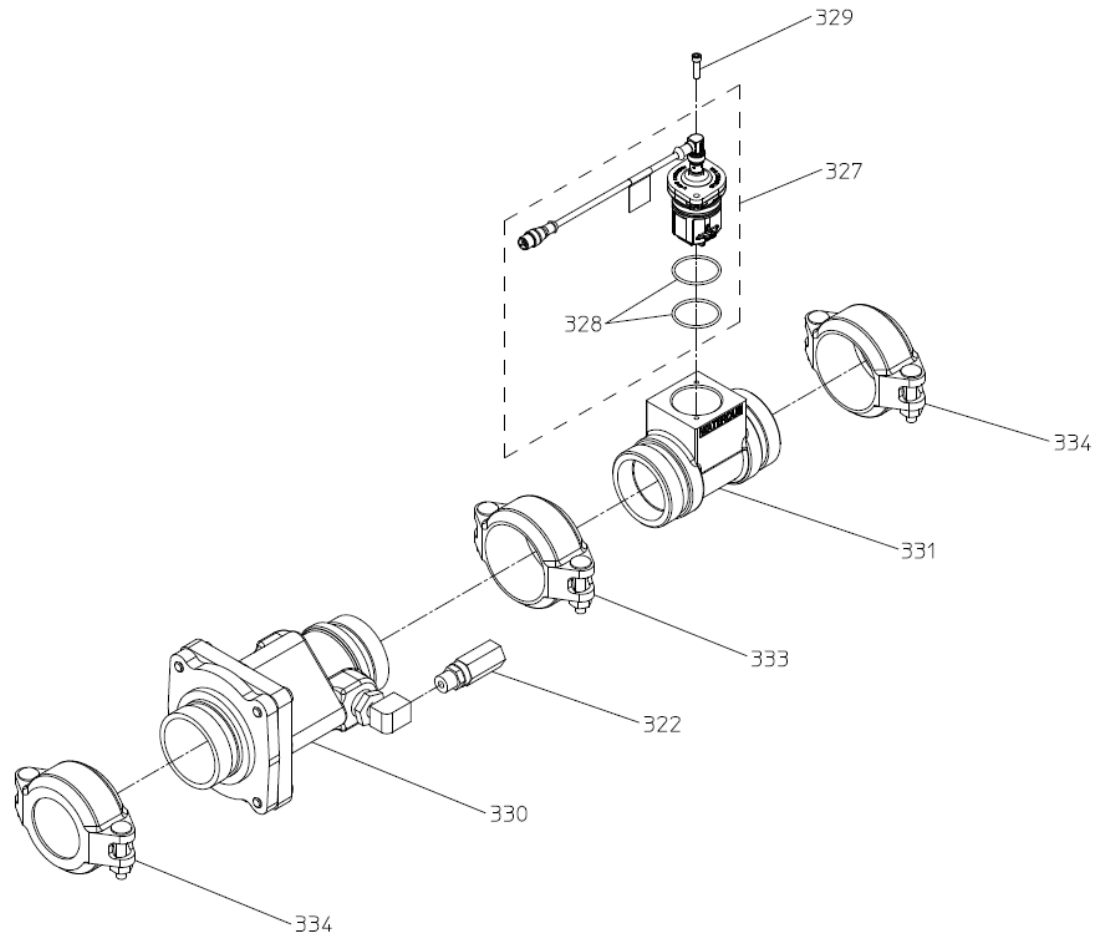


FOAM MANIFOLD – 2.5 IN. (INTEGRAL CHECK VALVE)

**Foam Manifold – 2.5 in. Size
Separate Check Valve**

REF NO.	DESCRIPTION
322	Check Valve, 3/8 in. NPT
327	Flowmeter (Includes 328)
328	O-ring, 1-1/2 x 1-11/16 in.
329	Pan Head Screw, No. 10-32 x 3/4 in.

REF NO.	DESCRIPTION
330	Master Waterway Check Valve
331	Flowmeter Tee, FNPT x Victaulic
333	Victaulic Clamp, 2-1/2 in.
334	Victaulic Reducing Clamp, 2-1/2 x 2 in.

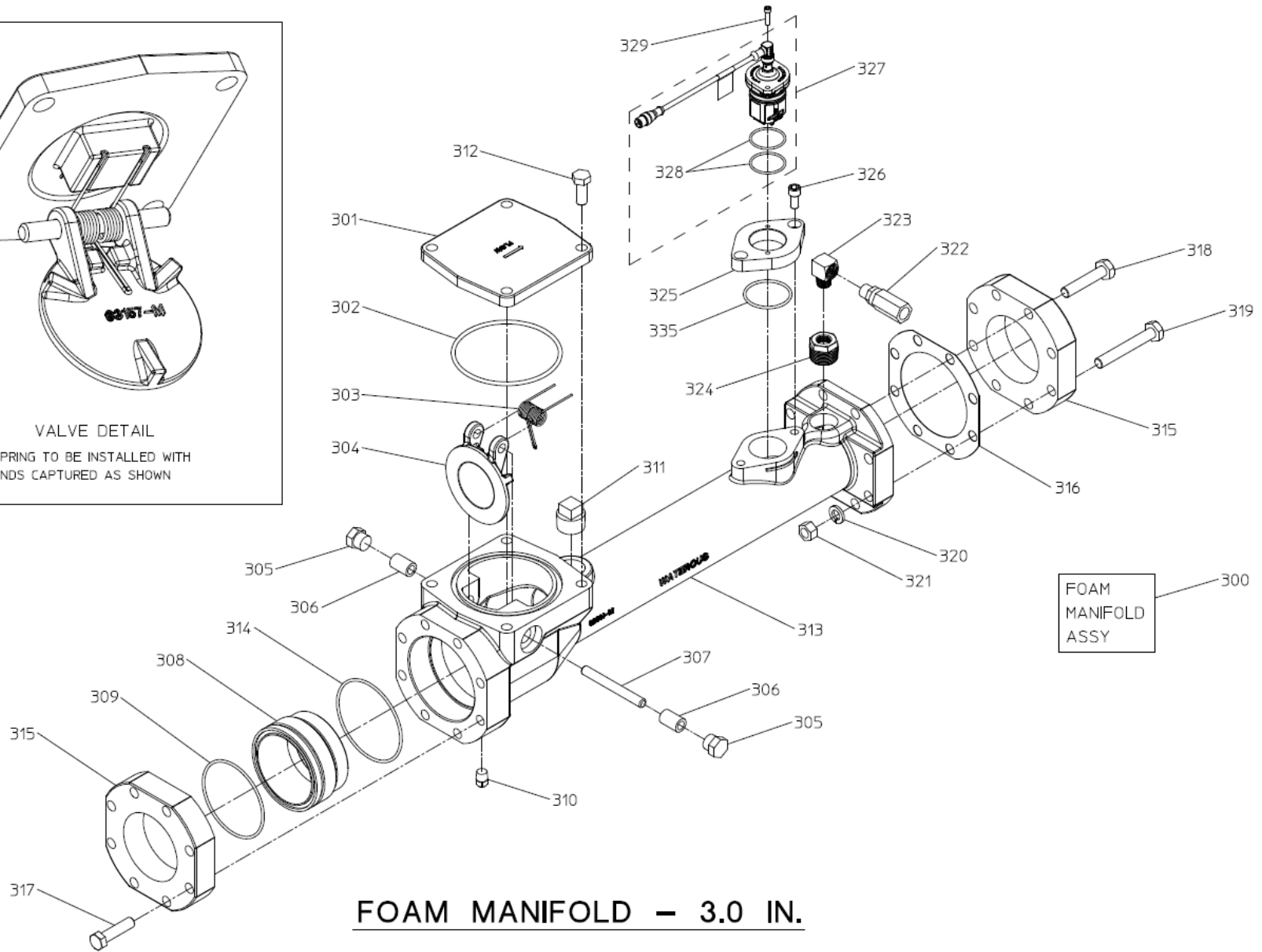
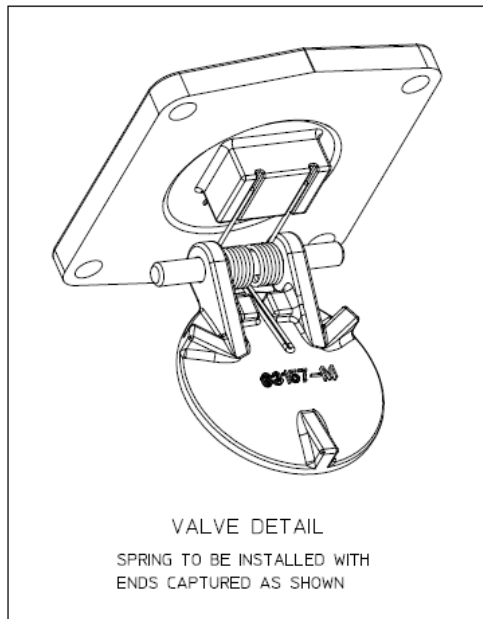


FOAM MANIFOLD – 2.5 IN. (SEPARATE CHECK VALVE)

Foam Manifold – 3.0 in. Size

REF NO.	DESCRIPTION
300	Manifold Assembly (Includes 301 thru 335)
301	Cover-Valve
302	O-ring, 4-3/4 x 5-1/8 in.
303	Torsion Spring
304	Valve Disc
305	Hex Head Plug
306	Shaft Spacer
307	Hinge Pin
308	Valve Seat
309	O-ring, -3/4 x 4 in.
310	Square Head Pipe Plug, ¼ in. NPT
311	Square Head Pipe Plug, 1 in. NPT
312	Hex Head Screw, ½-13 x 1-1/4 in.
313	Pipe-Flowmeter
314	O-ring, 4 x 4-1/4 in.
315	Tapped Flange, 8-Bolt, 3 in. NPT
316	Flange Gasket, 8-Bolt
317	Hex Head Screw, ½-13 x 2 in.

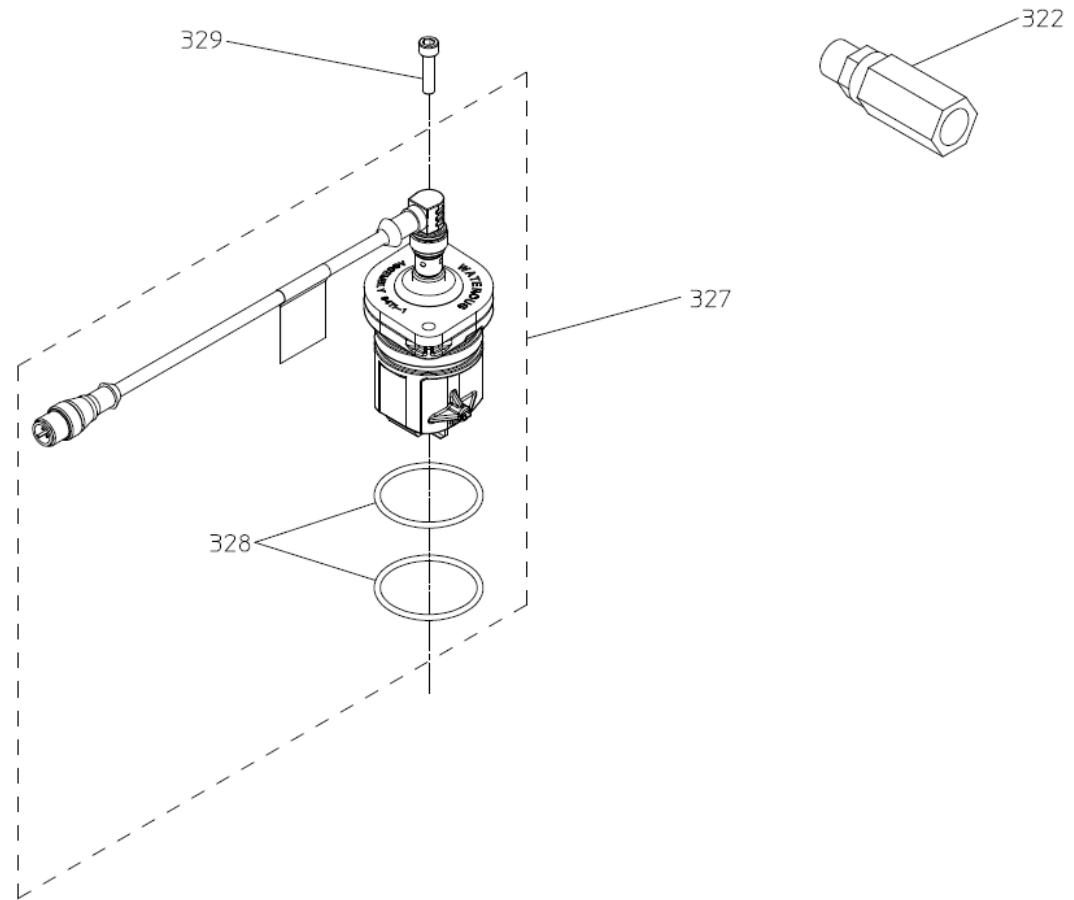
REF NO.	DESCRIPTION
318	Hex Head Screw, 1/2-20 x 2-1/2 in.
319	Hex Head Screw, 1/2-20 x 3-1/2 in.
320	Lock Washer, ½ in.
321	Hex Nut, ½-20
322	Check Valve, 3/8 in. NPT
323	Street Elbow, 90 Deg., 3/8 in. NPT
324	Reducing Bushing, 1 in. NPT x 3/8 in. NPT
325	Flowmeter Adapter
326	Screw-Socket Head, 3/8-16 x ¾ in.
327	Flowmeter (Includes 328)
328	O-ring, 1-1/2 x 1-11/16 in.
329	Pan Head Screw, No. 10-32 x ¾ in.
335	O-ring, 2 x 2-1/4 in.



Foam Manifold – Slide In Units

REF NO.	DESCRIPTION
322	Check Valve, 3/8 in. NPT
327	Flowmeter (Includes 328)

REF NO.	DESCRIPTION
328	O-ring, 1-1/2 x 1-11/16 in.
329	Pan Head Screw, No. 10-32 x 3/4 in.

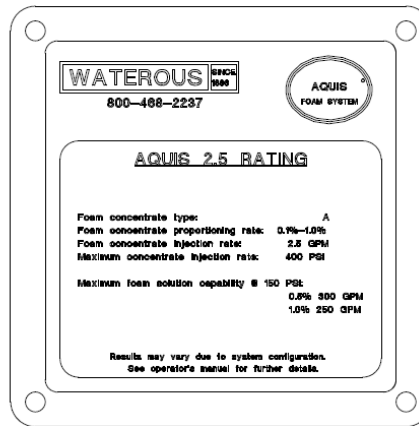


FOAM MANIFOLD COMPONENTS – SLIDE-IN UNITS

Panel Components

REF NO.	DESCRIPTION
111	Rating Plate (Optional)

REF NO.	DESCRIPTION



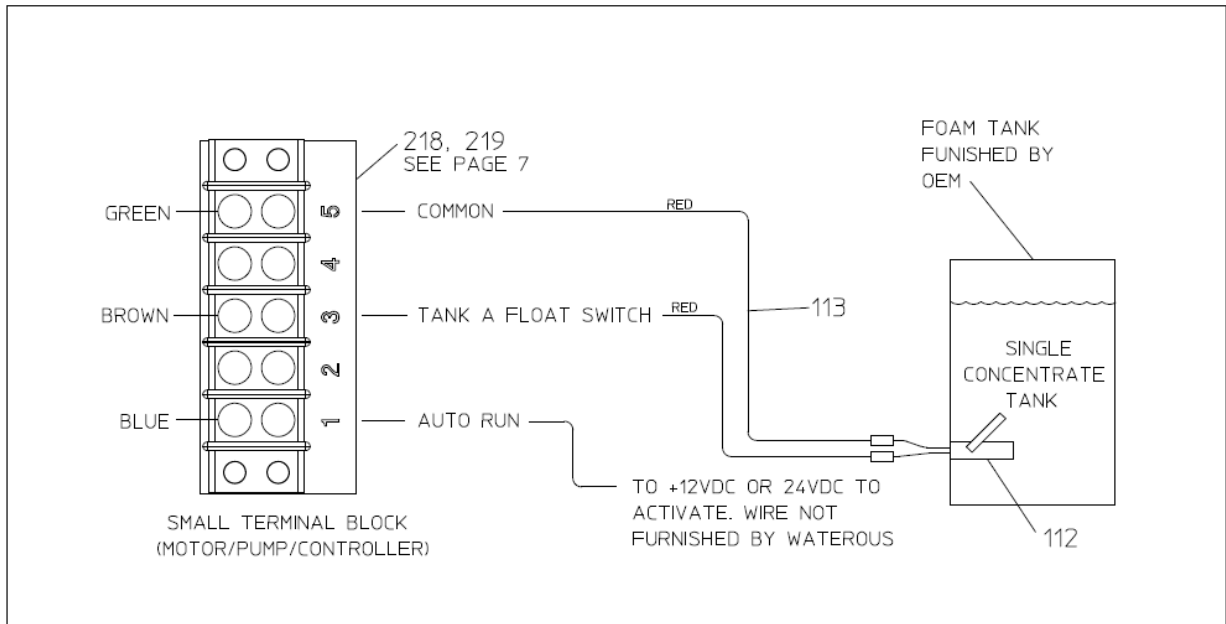
111
(OPTIONAL)

PANEL COMPONENTS

Foam Tank

REF NO.	DESCRIPTION
112	Tank Level Switch
113	Tank Level Switch Wire Extension (Optional)

REF NO.	DESCRIPTION
218	Terminal Block, 5 Position
219	Number Strip



FOAM TANK