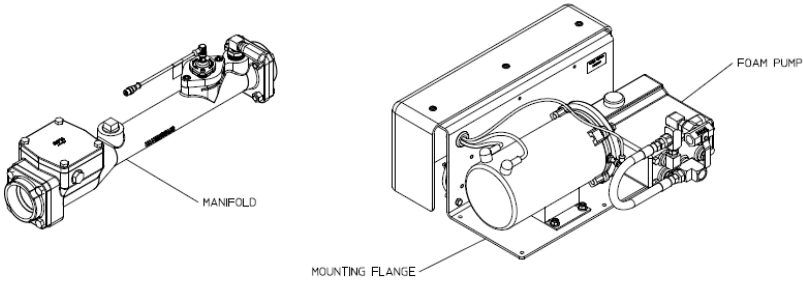
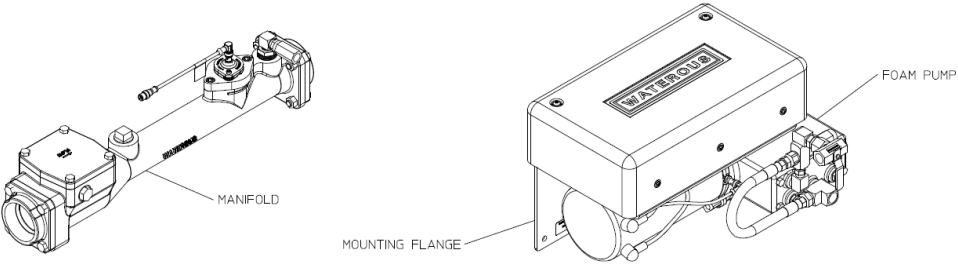


# Advantus™ Foam Pump Service Parts List

## Models: Advantus 3E, Advantus 3E SSP



**Model Advantus 3E**



**Model Advantus 3E SSP**

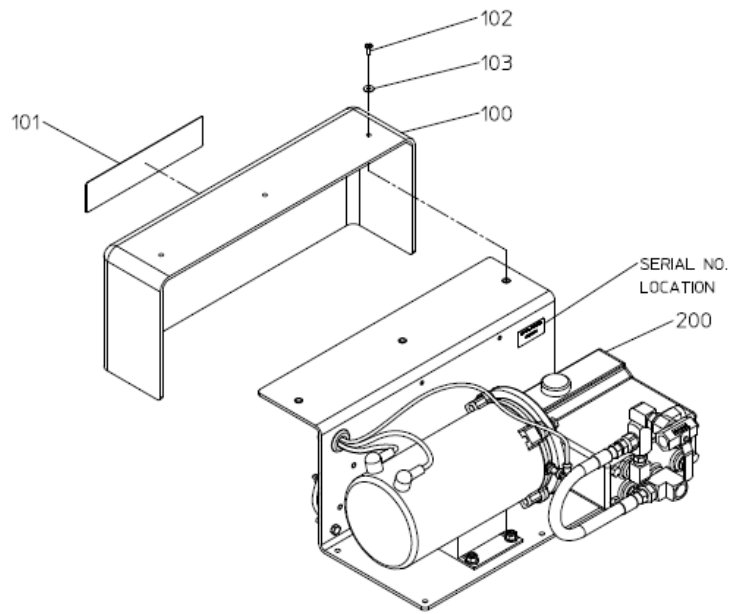
**Index:**

Component		See Pages	
Foam Pump	Complete Unit	2, 3	
	Pump and Motor	Model Advantus 3E	4, 5
		Model Advantus 3E SSP	6, 7
	Bracket and Control Module	8, 9	
	Control Box Wiring and Cables	10, 11	
Foam Manifold	2.5 in. Size	Integral Check Valve	12, 13
		Separate Check Valve	14, 15
	3.0 in. Size		16, 17
	Slide-In Units	18, 19	
Panel Components		20, 21	
Foam Tank		22, 23	
Foam Supply and Inject/By-Pass Hose Kits		See Service Parts List SPL 83430	

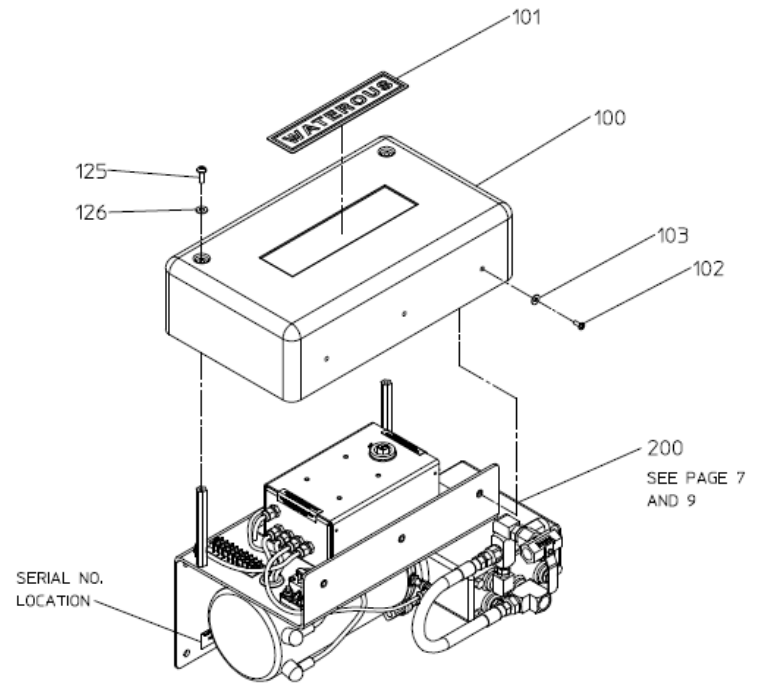
## Foam Pump – Complete Unit

REF NO.	DESCRIPTION
100	Foam Pump Cover
101	Cover Label
102	Pan Head Screw, No. 10-32 x $\frac{3}{4}$ in.
103	Plain Washer, No. 10

REF NO.	DESCRIPTION
125	Pan Head Screw, $\frac{1}{4}$ -10 x $\frac{3}{4}$ in.
126	Plain Washer, $\frac{1}{4}$ in.
200	Foam Pump Ass'y (Includes 201 thru 236)



MODEL: ADVANTUS 3E



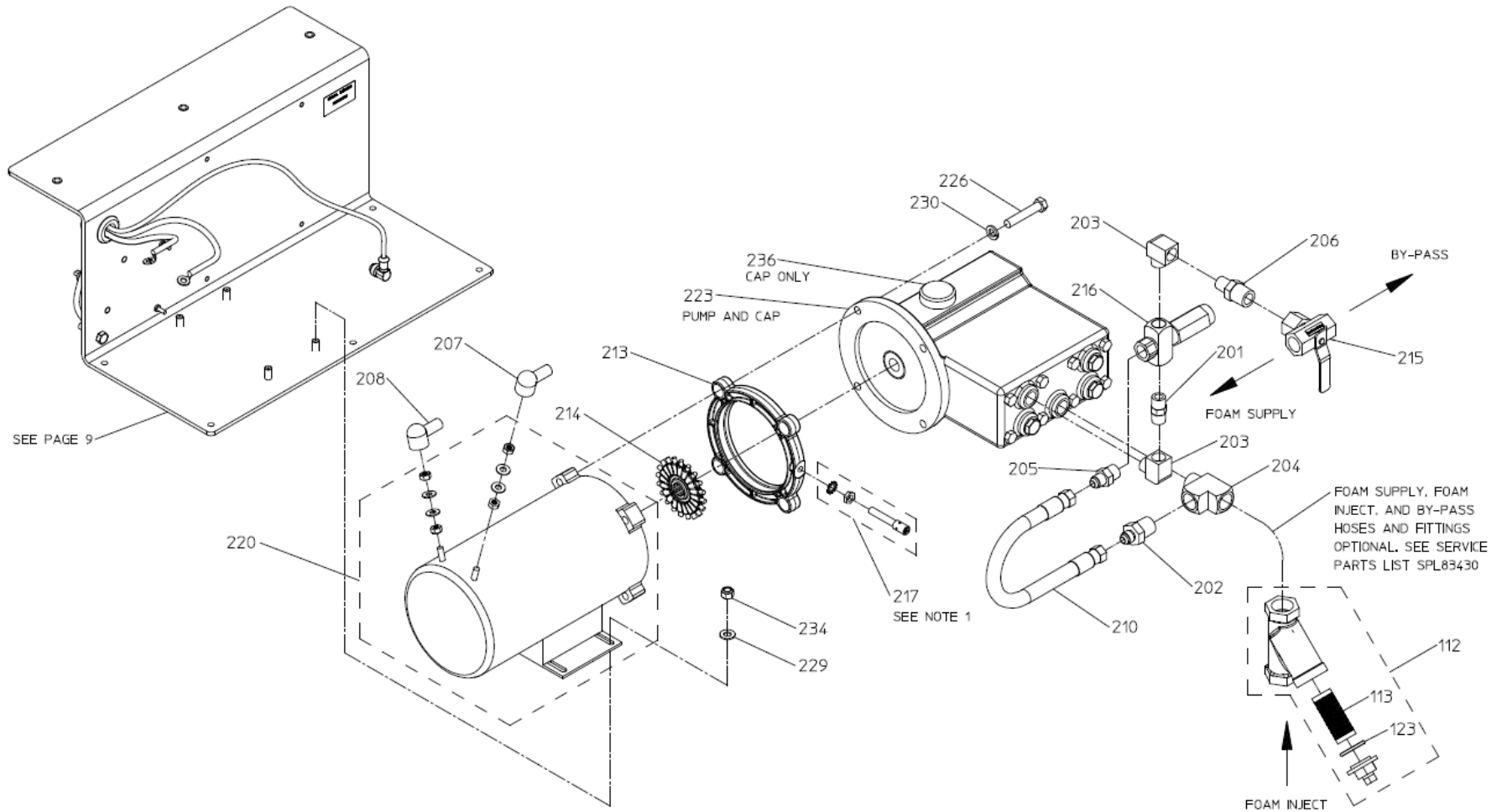
MODEL: ADVANTUS 3E SSP

**FOAM PUMP – COMPLETE UNIT**

**Foam Pump – Pump and Motor  
Model Advantus 3E**

REF NO.	DESCRIPTION
112	Wye Strainer, ¼ in. (Includes 113 and 123)
113	Strainer Screen
123	Strainer Gasket
201	Straight Adapter, 3/8 MNPT x 3/8 MNPT
202	Straight Adapter, 6 MJIC x ½ MNPT
203	Street Elbow, 90 Deg., 3/8 NPT
204	Tee, ½ MNPT x ½ FNPT x ½ MNPT
205	Straight Adapter, 6 MJIC x 3/8 MNPT
206	Straight Adapter, 3/8 MNPT x ½ MNPT
207	Black Boot
208	Red Boot
210	Bypass Hose

REF NO.	DESCRIPTION
213	Pump Spacer
214	Sensor Wheel
215	3 Way Ball Valve
216	Pressure Regulator
217	Product Sensor
220	Electric Motor
223	Foam Pump (Includes 236)
226	Hex Head Screw, 3/8-16 x 2 in.
229	Plain Washer, 5/16 in.
230	Lock Washer, 3/8 in.
234	Nylok Hex Nut, 5/16-18
236	Oil Fill Cap, Vented



NOTE:  
 1. THREAD INTO BRACKET UNTIL CONTACT IS MADE WITH SPROCKET.  
 BACKOUT 1-1/4 TURNS AND TIGHTEN LOCKNUT. (.05IN GAP REQUIRED)

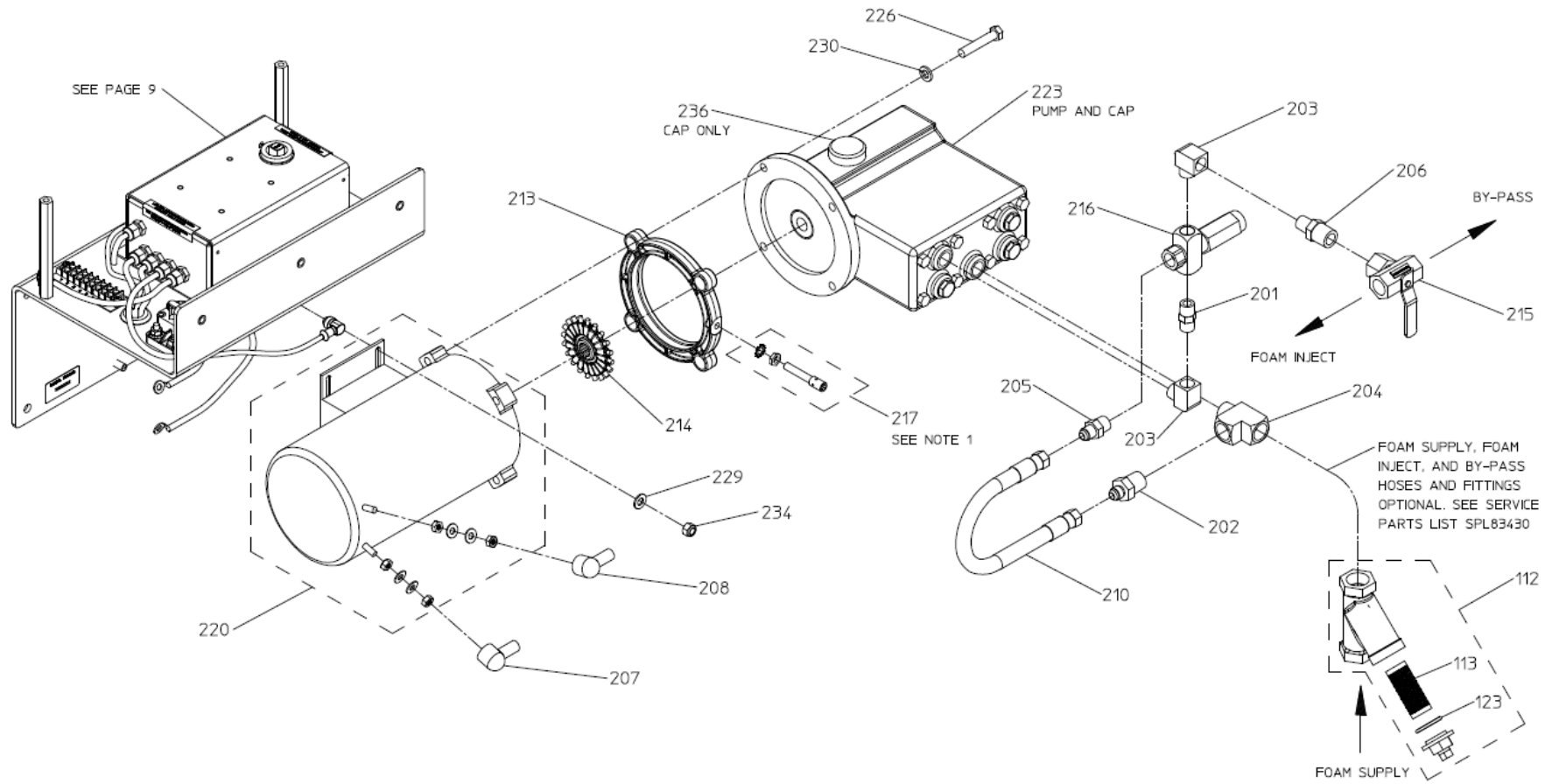
## FOAM PUMP – PUMP AND MOTOR

MODEL: ADVANTUS 3E

**Foam Pump – Pump and Motor  
Model Advantus 3E SSP**

REF NO.	DESCRIPTION
112	Wye Strainer, ¼ in. (Includes 113 and 123)
113	Strainer Screen
123	Strainer Gasket
201	Straight Adapter, 3/8 MNPT x 3/8 MNPT
202	Straight Adapter, 6 MJIC x ½ MNPT
203	Street Elbow, 90 Deg., 3/8 NPT
204	Tee, ½ MNPT x ½ FNPT x ½ MNPT
205	Straight Adapter, 6 MJIC x 3/8 MNPT
206	Straight Adapter, 3/8 MNPT x ½ MNPT
207	Black Boot
208	Red Boot
210	Bypass Hose

REF NO.	DESCRIPTION
213	Pump Spacer
214	Sensor Wheel
215	3 Way Ball Valve
216	Pressure Regulator
217	Product Sensor
220	Electric Motor
223	Foam Pump (Includes 236)
226	Hex Head Screw, 3/8-16 x 2 in.
229	Plain Washer, 5/16 in.
230	Lock Washer, 3/8 in.
234	Nylok Hex Nut, 5/16-18
236	Oil Fill Cap, Vented



NOTE:  
 1. THREAD INTO BRACKET UNTIL CONTACT IS MADE WITH SPROCKET. BACKOUT 1-1/4 TURNS AND TIGHTEN LOCKNUT. (.05IN GAP REQUIRED)

## FOAM PUMP – PUMP AND MOTOR

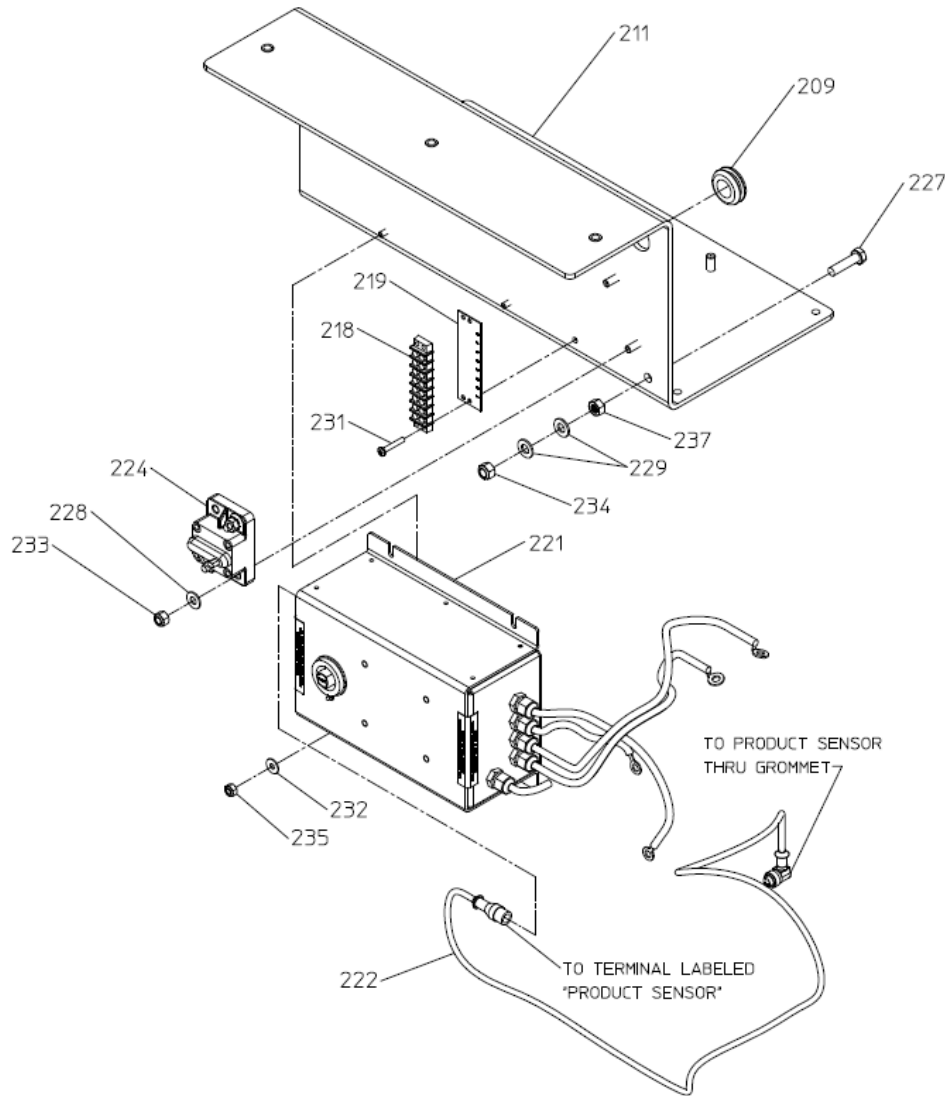
MODEL: ADVANTUS 3E SSP

## Foam Pump – Bracket and Control Module

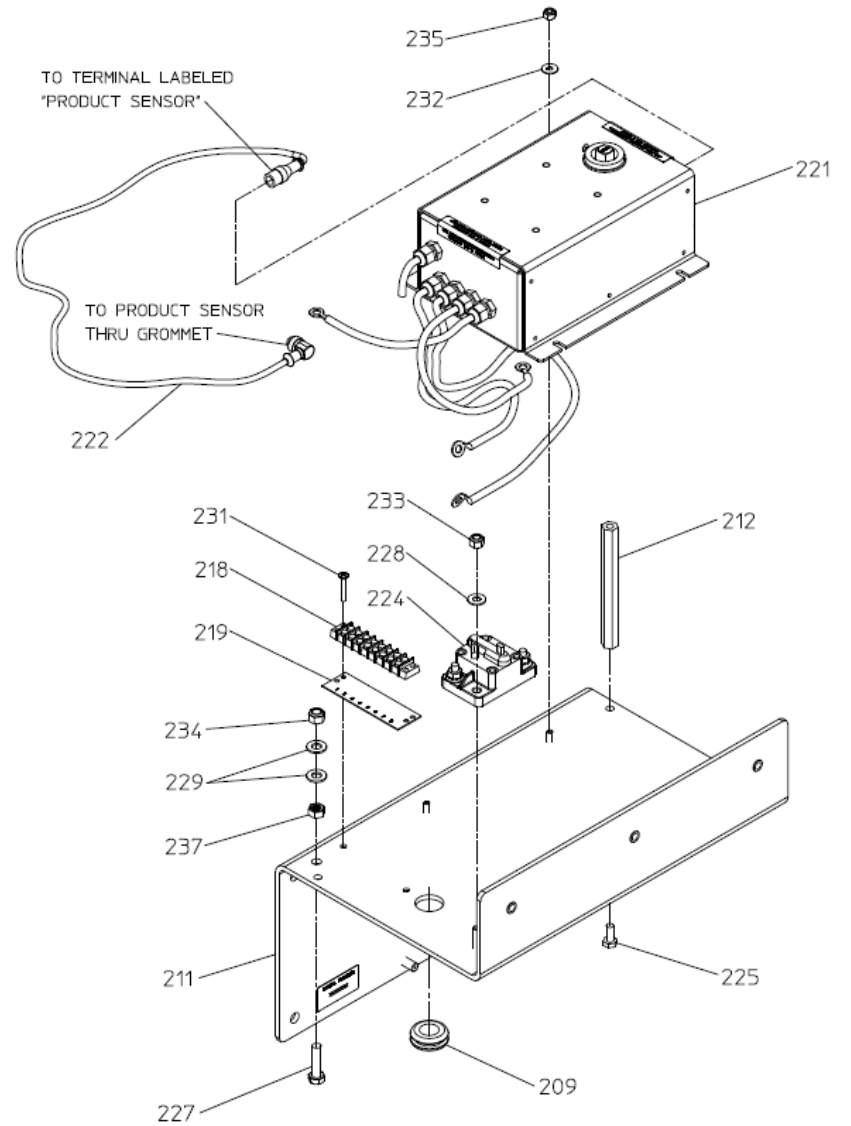
REF NO.	DESCRIPTION
209	Grommet
211	Z Bracket
212	Standoff, 14/-20 x 5 in.
218	Terminal Block, 8 Position
219	Number Strip
221	Control Box
222	Product Sensor Cable
224	Circuit Breaker
227	Hex Head Screw, 5/16-18 x 1-1/4 in.

REF NO.	DESCRIPTION
228	Plain Washer, ¼ in.
229	Plain Washer, 5/16 in.
231	Screw-Pan Head, No. 8-32 x ¼ in.
232	Plain Washer, No. 10
233	Nylok Hex Nut, ¼-20
234	Nylok Hex Nut, 5/16-18
235	Nylok Hex Nut, No. 10-32





MODEL: ADVANTUS 3E



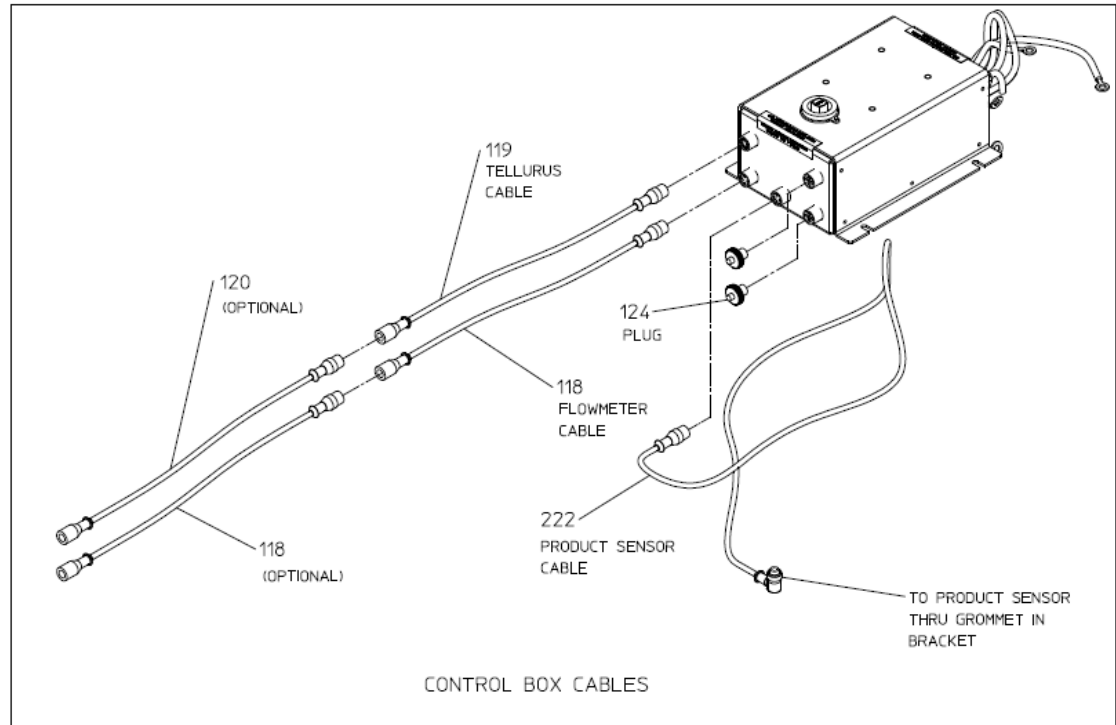
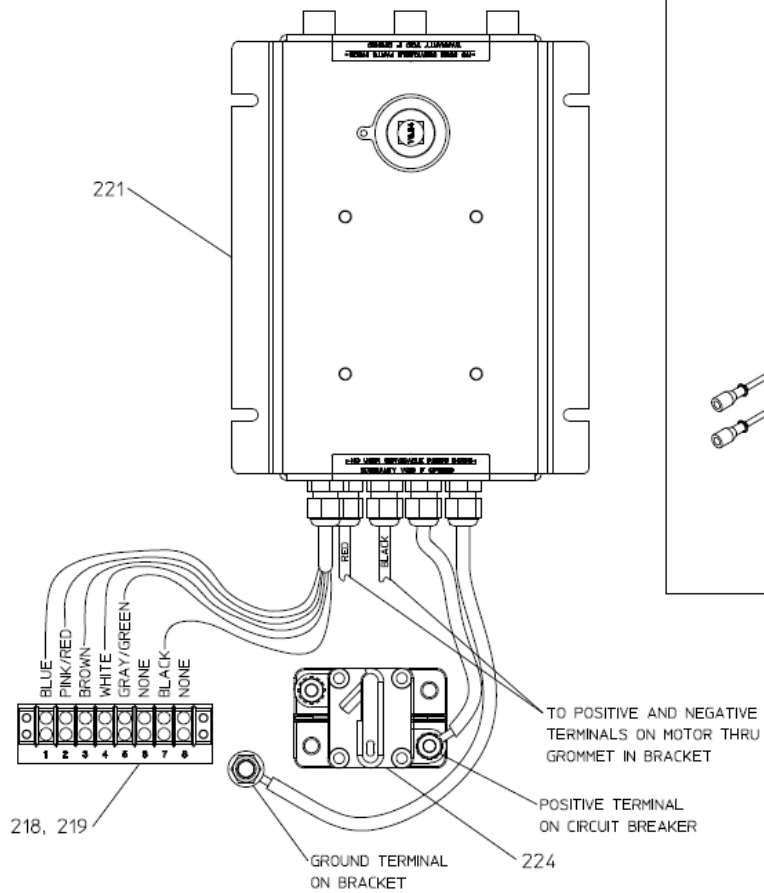
MODEL: ADVANTUS 3E SSP

## FOAM PUMP – BRACKET & CONTROL MODULE

## Foam Pump – Control Box Wiring and Cables

REF NO.	DESCRIPTION
118	Flowmeter Cable, 3 Meter Length
119	Tellurus Cable, 3 Meter Length
120	Tellurus Cable, Extension (Optional)
124	Port Plug
218	Terminal Block, 8 Position

REF NO.	DESCRIPTION
219	Number Strip
221	Control Box
222	Product Sensor Cable
224	Circuit Breaker

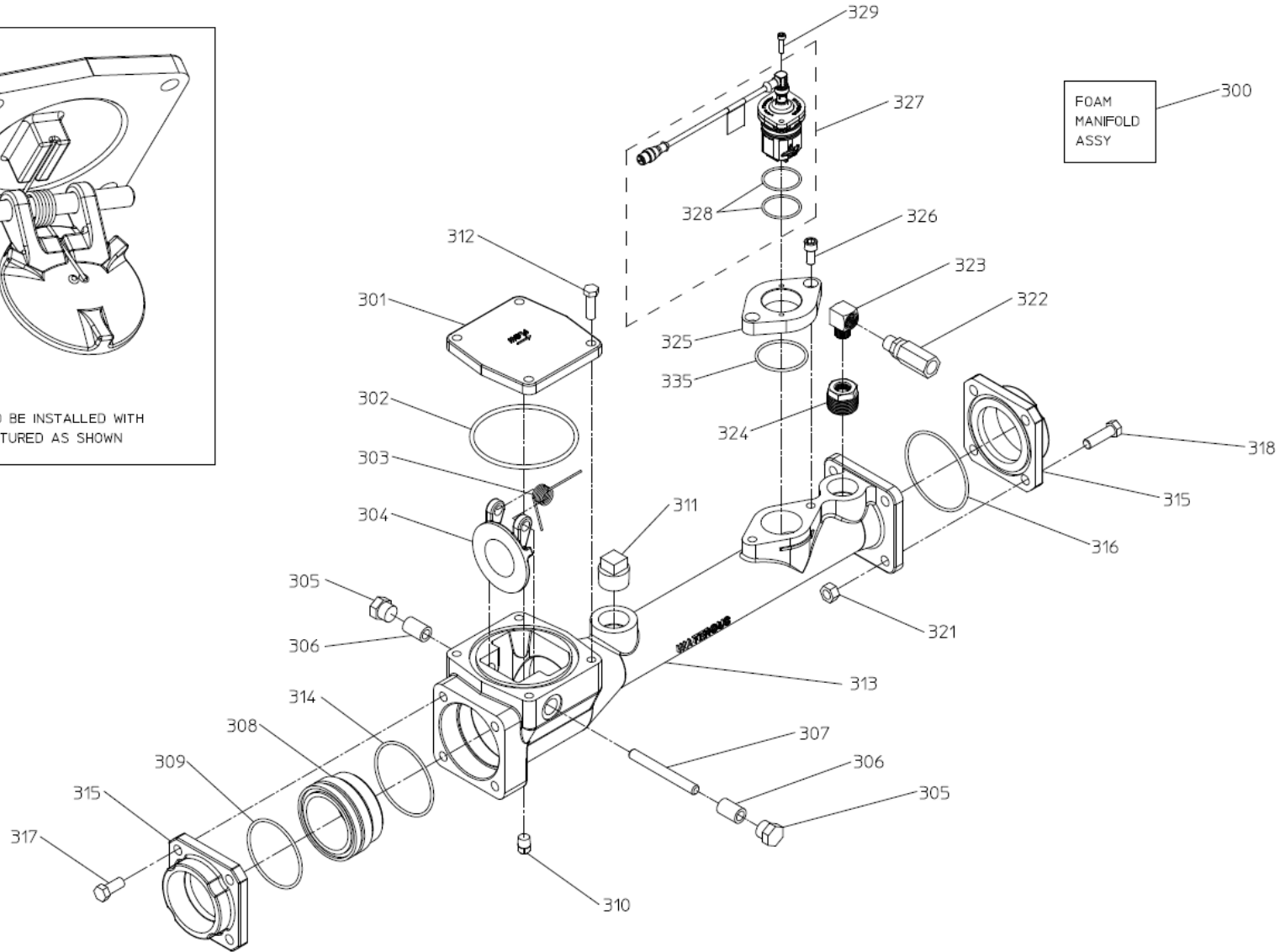
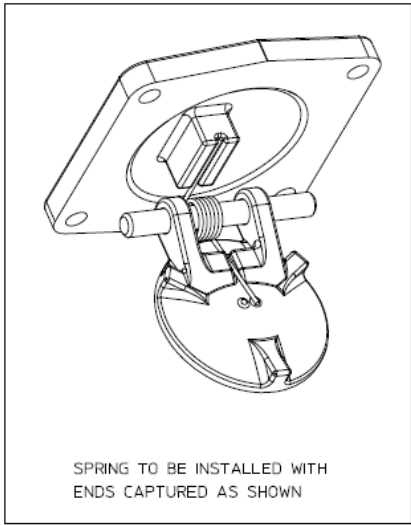


## FOAM PUMP – CONTROL BOX WIRING AND CABLES

## Foam Manifold – 2.5 in. Size Internal Check Valve

REF NO.	DESCRIPTION
300	Manifold Assembly (Includes 301 thru 335)
301	Cover-Valve
302	O-ring, 4-1/4 x 4-5/8 in.
303	Torsion Spring
304	Valve Disc
305	Hex Head Plug
306	Shaft Spacer
307	Hinge Pin
308	Valve Seat
309	O-ring, 3 x 3-1/4 in.
310	Square Head Pipe Plug, ¼ in. NPT
311	Square Head Pipe Plug, 1 in. NPT
312	Hex Head Screw, 3/8-16 x 1-1/4 in.
313	Pipe-Flowmeter
314	O-ring, 3-1/4 x 3-1/2 in.

REF NO.	DESCRIPTION
315	Tapped Flange, 4-Bolt, 2-1/2 in. NPT
316	O-ring, 3-1/2 x 3-3/4 in.
317	Hex Head Screw, 7/16-14 x 1 in.
318	Hex Head Screw, 7/16-20 x 1-1/2 in.
321	Hex Nut, 7/16-20
322	Check Valve, 3/8 in. NPT
323	Street Elbow, 90 Deg., 3/8 in. NPT
324	Reducing Bushing, 1 in. NPT x 3/8 in. NPT
235	Flowmeter Adapter
326	Screw-Socket Head, 3/8-16 x ¾ in.
327	Flowmeter (Includes 328)
328	O-ring, 1-1/2 x 1-11/16 in.
329	Pan Head Screw, No. 10-32 x ¾ in.
335	O-ring, 2 x 2-1/4 in.

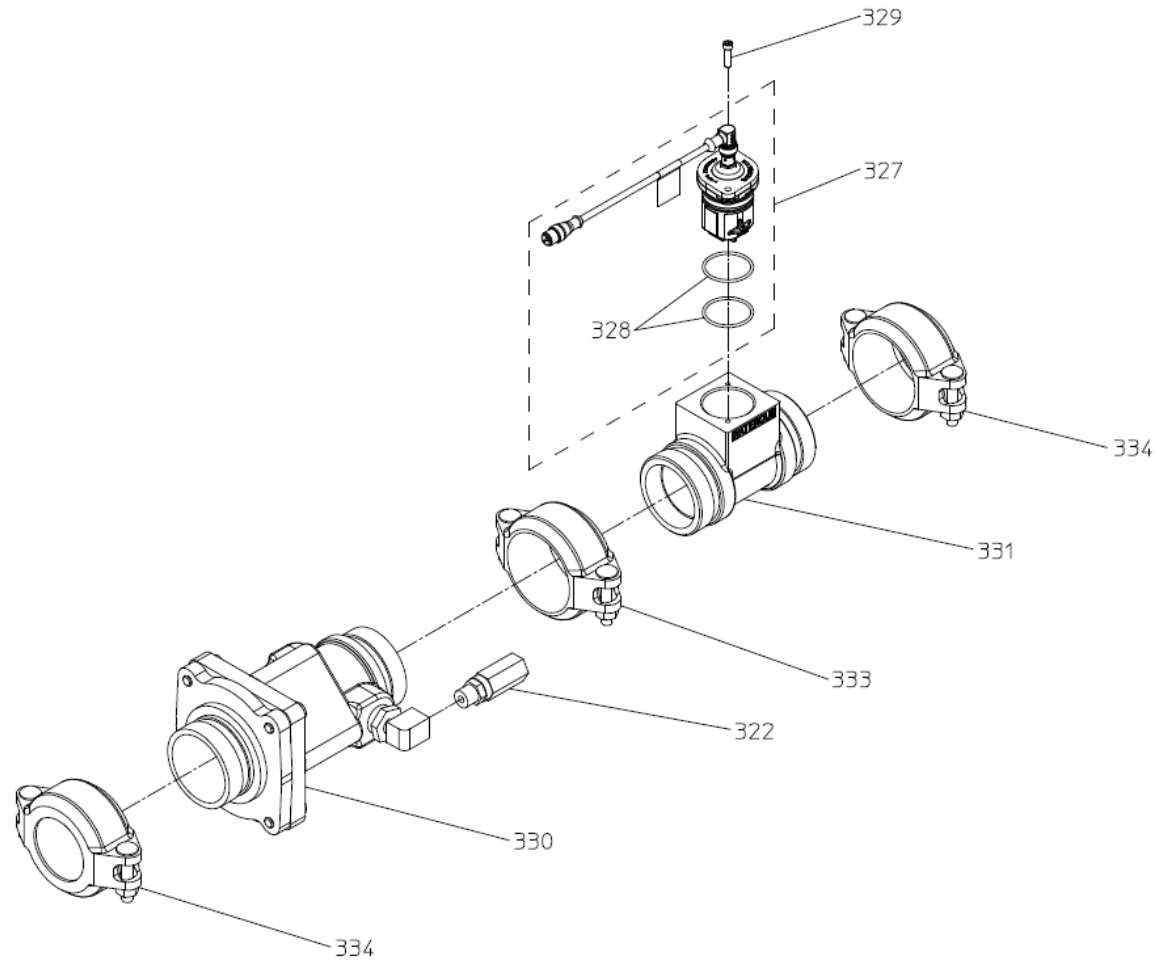


**FOAM MANIFOLD – 2.5 IN. (INTEGRAL CHECK VALVE)**

**Foam Manifold – 2.5 in. Size  
Separate Check Valve**

<b>REF NO.</b>	<b>DESCRIPTION</b>
322	Check Valve, 3/8 in. NPT
327	Flowmeter (Includes 328)
328	O-ring, 1-1/2 x 1-11/16 in.
329	Pan Head Screw, No. 10-32 x 3/4 in.

<b>REF NO.</b>	<b>DESCRIPTION</b>
330	Master Waterway Check Valve
331	Flowmeter Tee, FNPT x Victaulic
333	Victaulic Clamp, 2-1/2 in.
334	Victaulic Reducing Clamp, 2-1/2 x 2 in.



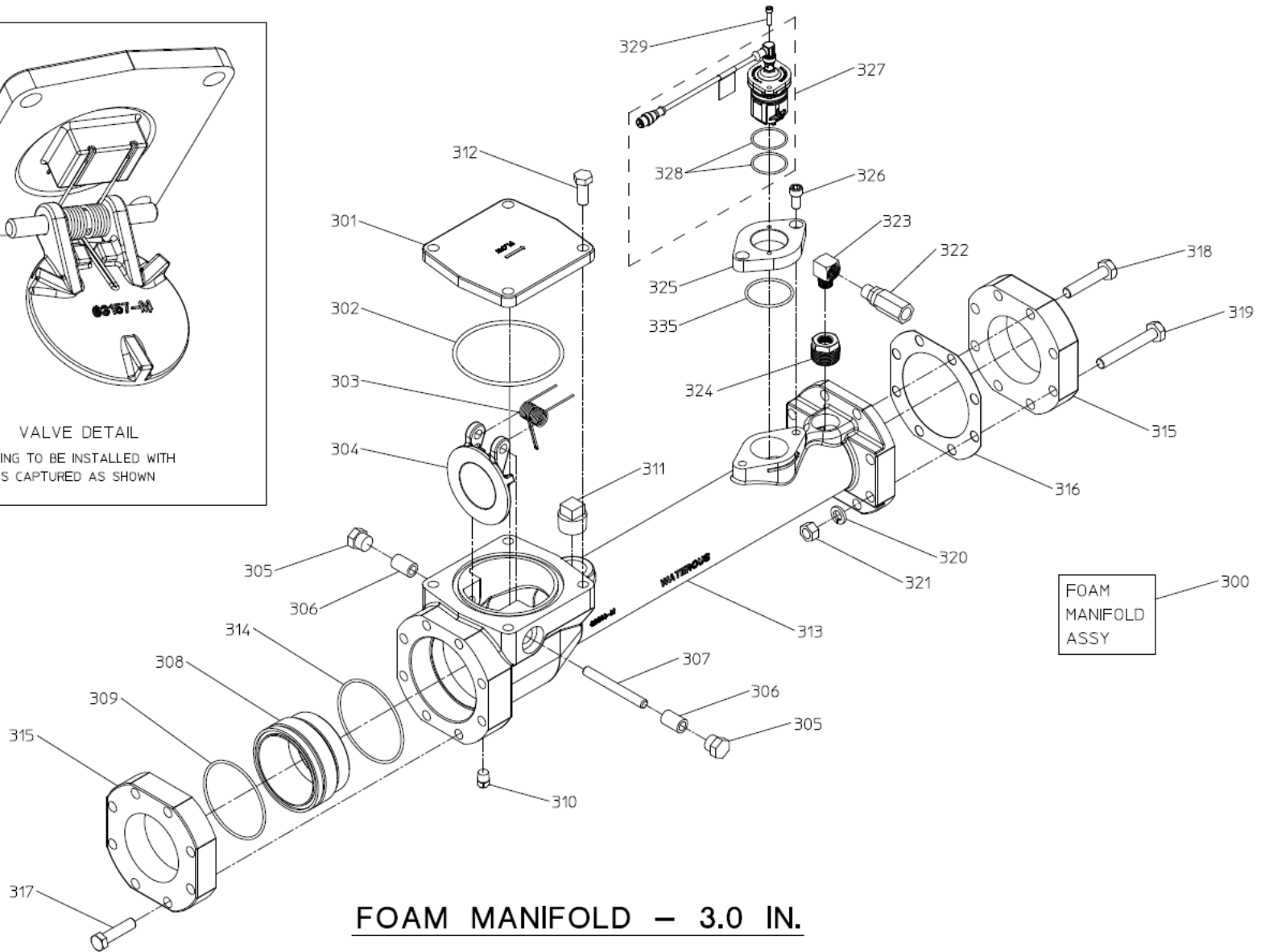
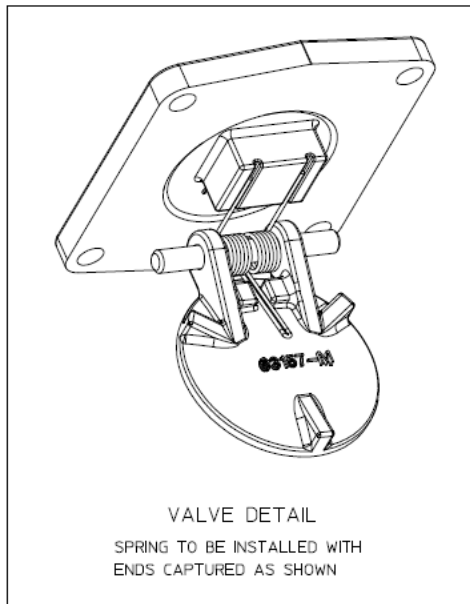
FOAM MANIFOLD – 2.5 IN. (SEPARATE CHECK VALVE)

## Foam Manifold – 3.0 in. Size

REF NO.	DESCRIPTION
300	Manifold Assembly (Includes 301 thru 335)
301	Cover-Valve
302	O-ring, 4-3/4 x 5-1/8 in.
303	Torsion Spring
304	Valve Disc
305	Hex Head Plug
306	Shaft Spacer
307	Hinge Pin
308	Valve Seat
309	O-ring, 3-3/4 x 4 in.
310	Square Head Pipe Plug, ¼ in. NPT
311	Square Head Pipe Plug, 1 in. NPT
312	Hex Head Screw, ½-13 x 1-1/4 in.
313	Pipe-Flowmeter
314	O-ring, 4 x 4-1/4 in.
315	Tapped Flange, 8-Bolt, 3 in. NPT
316	Flange Gasket, 8-Bolt

REF NO.	DESCRIPTION
317	Hex Head Screw, ½-13 x 2 in.
318	Hex Head Screw, ½-20 x 2-1/2 in.
319	Hex Head Screw, ½-20 x 3-1/2 in.
320	Lock Washer, ½ in.
321	Hex Nut, 1/2-20
322	Check Valve, 3/8 in. NPT
323	Street Elbow, 90 Deg., 3/8 in. NPT
324	Reducing Bushing, 1 in. NPT x 3/8 in. NPT
325	Flowmeter Adapter
326	Screw-Socket Head, 3/8-16 x ¾ in.
327	Flowmeter (Includes 328)
328	O-ring, 1-1/2 x 1-11/16 in.
329	Pan Head Screw, No. 10-32 x ¾ in.
335	O-ring, 2 x 2-1/4 in.

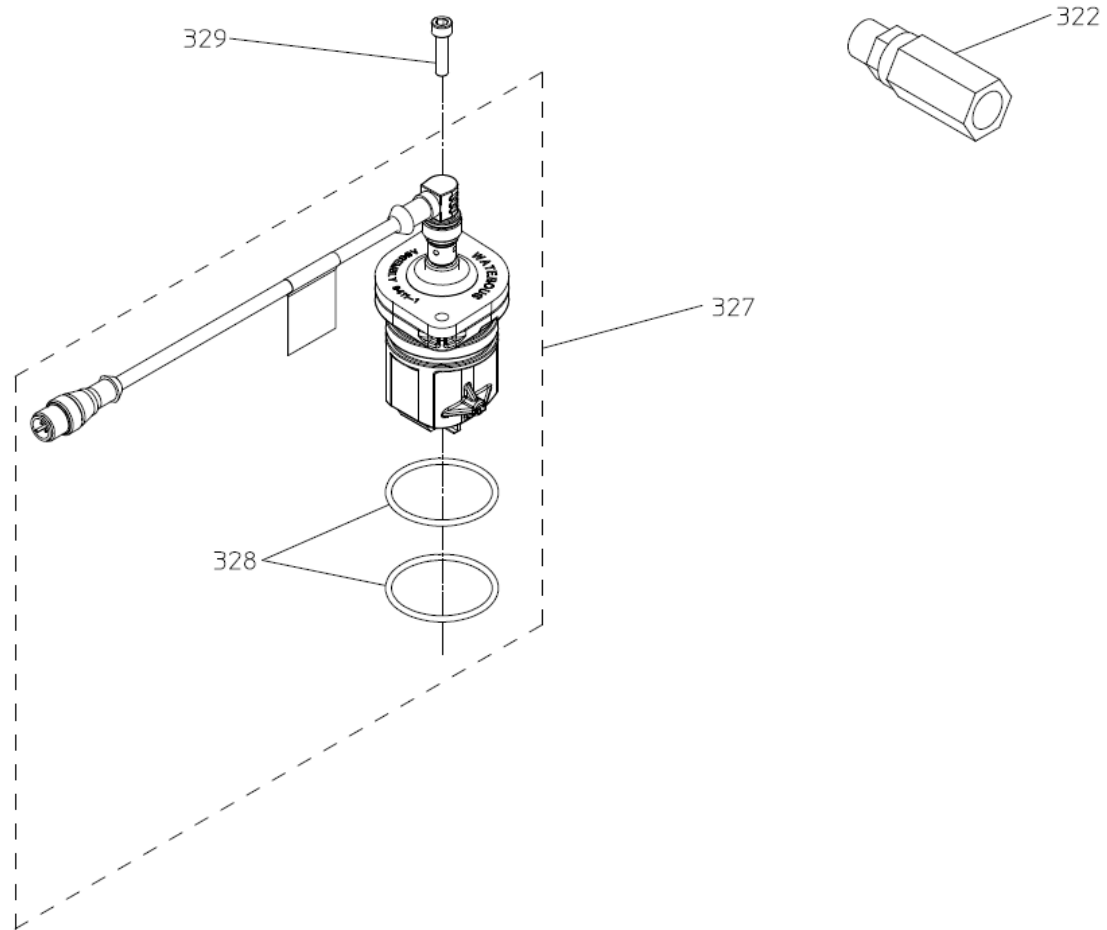




## Foam Manifold – Slide In Units

REF NO.	DESCRIPTION
322	Check Valve, 3/8 in. NPT
327	Flowmeter (Includes 328)

REF NO.	DESCRIPTION
328	O-ring, 1-1/2 x 1-11/16 in.
329	Pan Head Screw, No. 10-32 x 3/4 in.

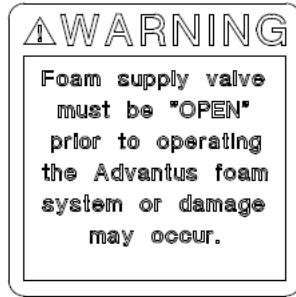


## FOAM MANIFOLD COMPONENTS – SLIDE-IN UNITS

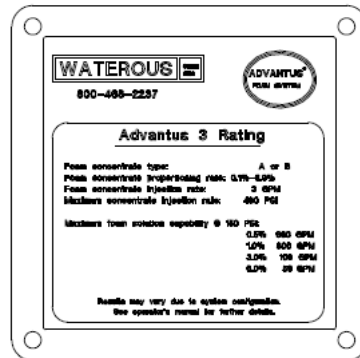
## Panel Components

REF NO.	DESCRIPTION
106	Rating Plate (Optional)

REF NO.	DESCRIPTION
110	Warning Label



110



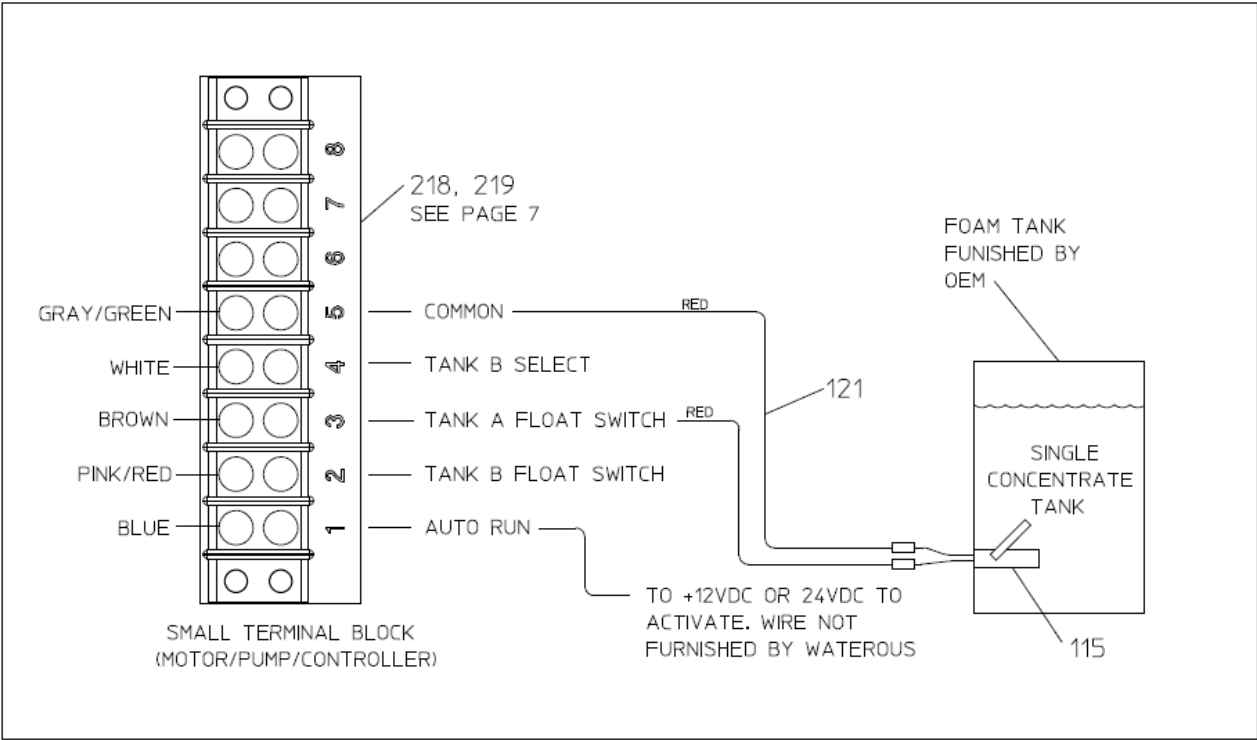
106  
(OPTIONAL)

## PANEL COMPONENTS

## Foam Tank

REF NO.	DESCRIPTION
115	Tank Level Switch
121	Tank Level Switch Wire Extension (Optional)

REF NO.	DESCRIPTION
218	Terminal Block, 8 Position
219	Number Strip



FOAM TANK