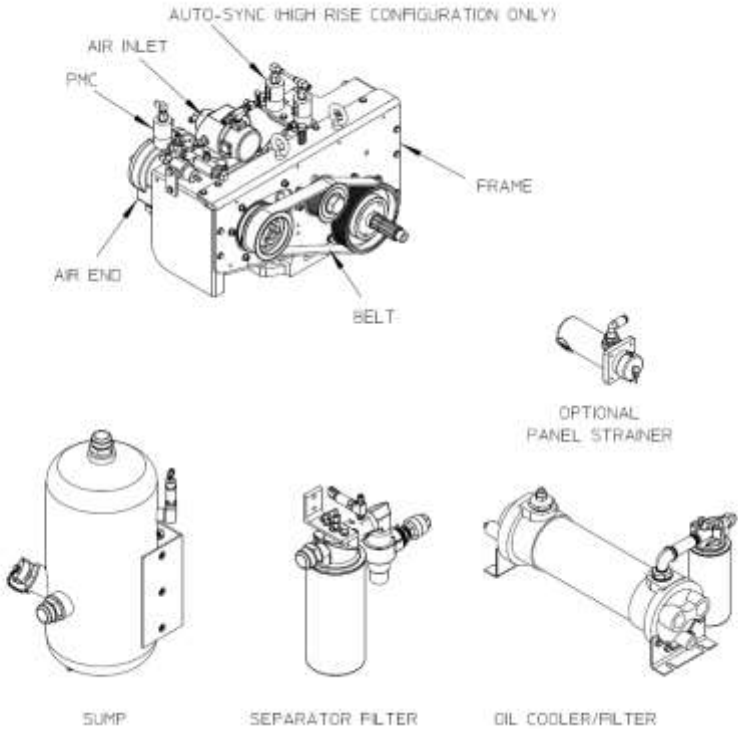


**One-Step™ CAFS Air Compressor Service Parts List**  
**One-Step™ CAFS Model 150-ESOS**  
**Eclipse GEN 2.0 CAFS Model 150-ESECL**

Used with CXN, CXS, CXV Series Fire Pumps and TC20 Series PTO's

Index:



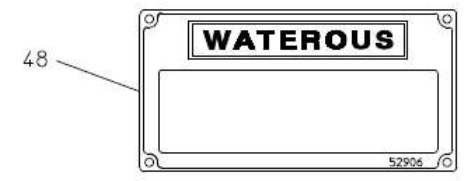
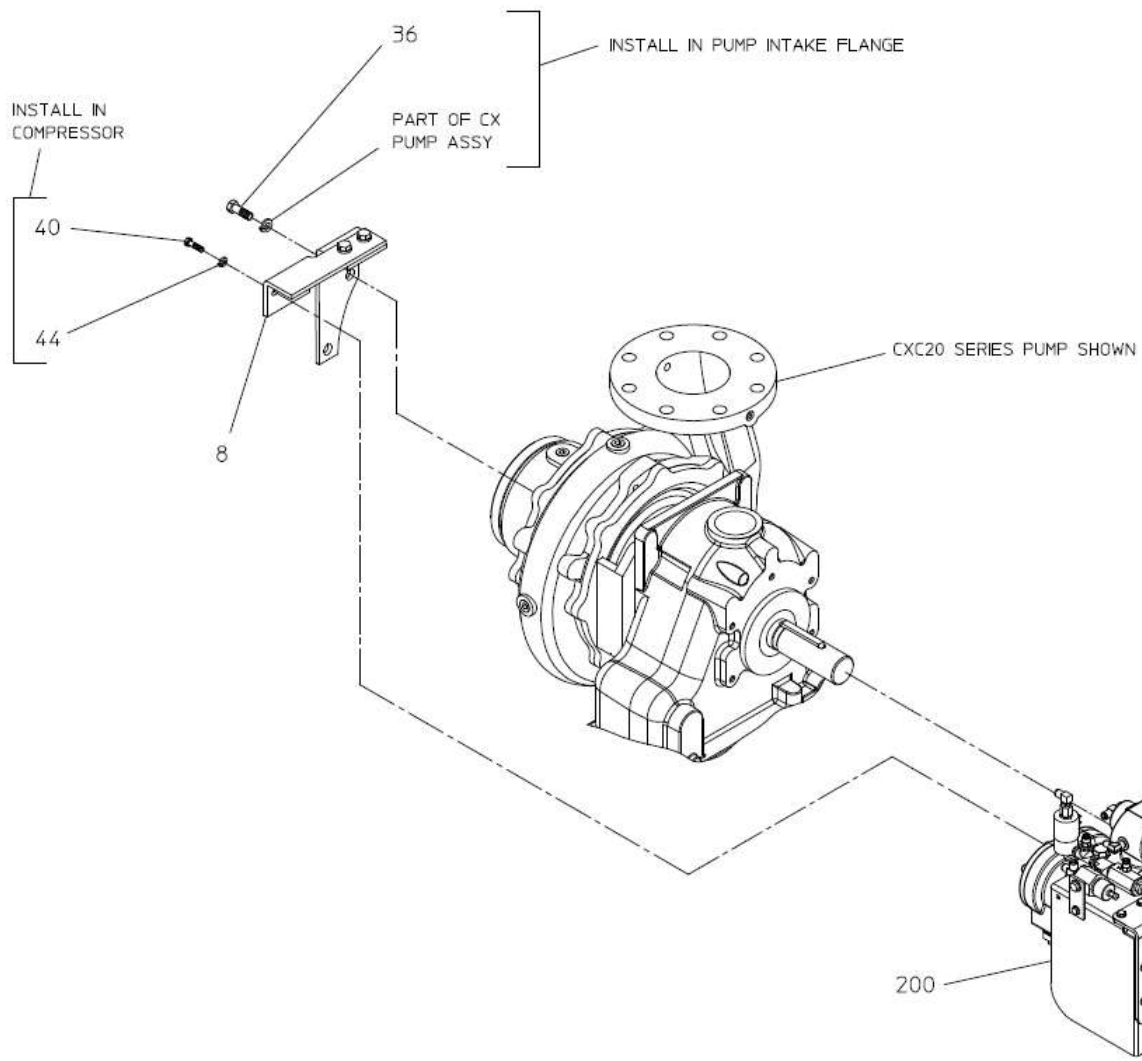
Components			See Page	
			Non-High Rise Configuration	High Rise Configuration
Compressor	Mounting	CXN, CXS, CXV Series Pumps	2, 3	2, 3
		TC20 Series PTO's	4, 5	4, 5
	Belt Drive		6, 7	6, 7
	Frame		8, 9	8, 9
	Air End		10, 11	10, 11
	Air Inlet		12, 13	12, 13
	PMC		14, 15	16, 17
Auto-Sync (High Rise Only)		-	18, 19	
Separator Filter			20, 21	20, 21
Sump			22, 23	22,23
Oil Cooler and Oil Filter	In-Line Water Strainer		24, 25	24, 25
	Panel Mounted Water Strainer		26, 27	26, 27
Schematic	Air Circuit		28, 29	30, 31
	Hydraulic	In-Line Strainer	32, 33	32, 33
		Panel Strainer	34, 35	34, 35
	Electrical		See Foam Generator Service Parts List	
Hose and Fitting Kit			Optional from Waterous, See Service Parts List SPL83368	

## Compressor – Mounting

### CX Series Pumps

REF NO.	DESCRIPTION
8	Compressor Bracket
34	Hex Hd Screw, 3/8-16 x 1 in.
36	Hex Hd Screw, 1/2-13 x 1-1/2 in.
38	Lock Washer, 3/8 in.
40	Hex Hd Screw, M8-1.25 x 30mm

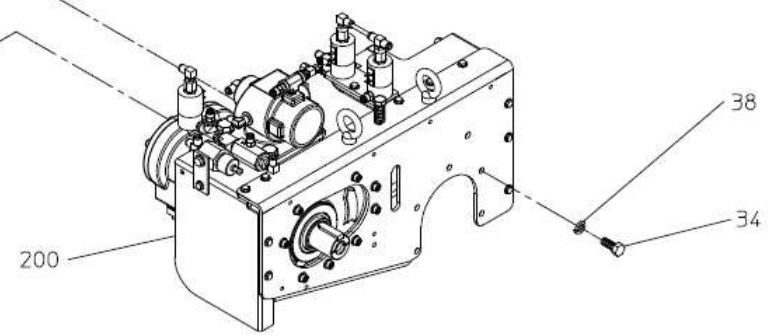
REF NO.	DESCRIPTION
44	Lock Washer, 8mm
48	Serial Panel Plate
70	CAFS Warning Panel Plate
200	Compressor Subassembly (Includes 201 - 275)



PANEL SERIAL PLATE



PANEL CAFS WARNING PLATE



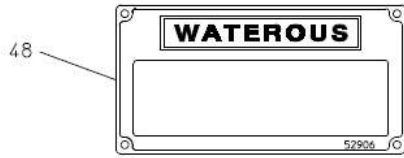
COMPRESSOR - MOUNTING  
CX SERIES PUMPS

## Compressor – Belt Drive

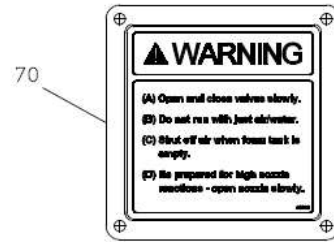
TC20 Series P.T.O.'s

REF NO.	DESCRIPTION
15	Mounting Bracket
34	Hex Hd Screw, 3/8-16 x 1 in.
38	Lock Washer, 3/8 in.
41	Hex Hd Screw, M16-2 x 30mm

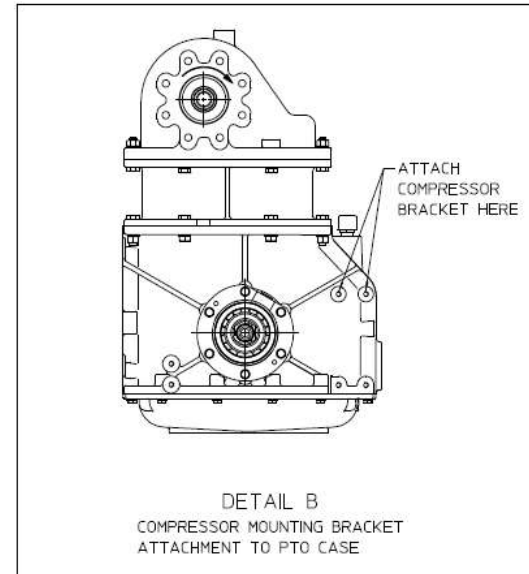
REF NO.	DESCRIPTION
47	Lock Washer, 16mm
48	Serial Panel Plate
70	CAFS NFPA Warning Panel Plate
200	Compressor Subassembly (Includes 201 – 275)



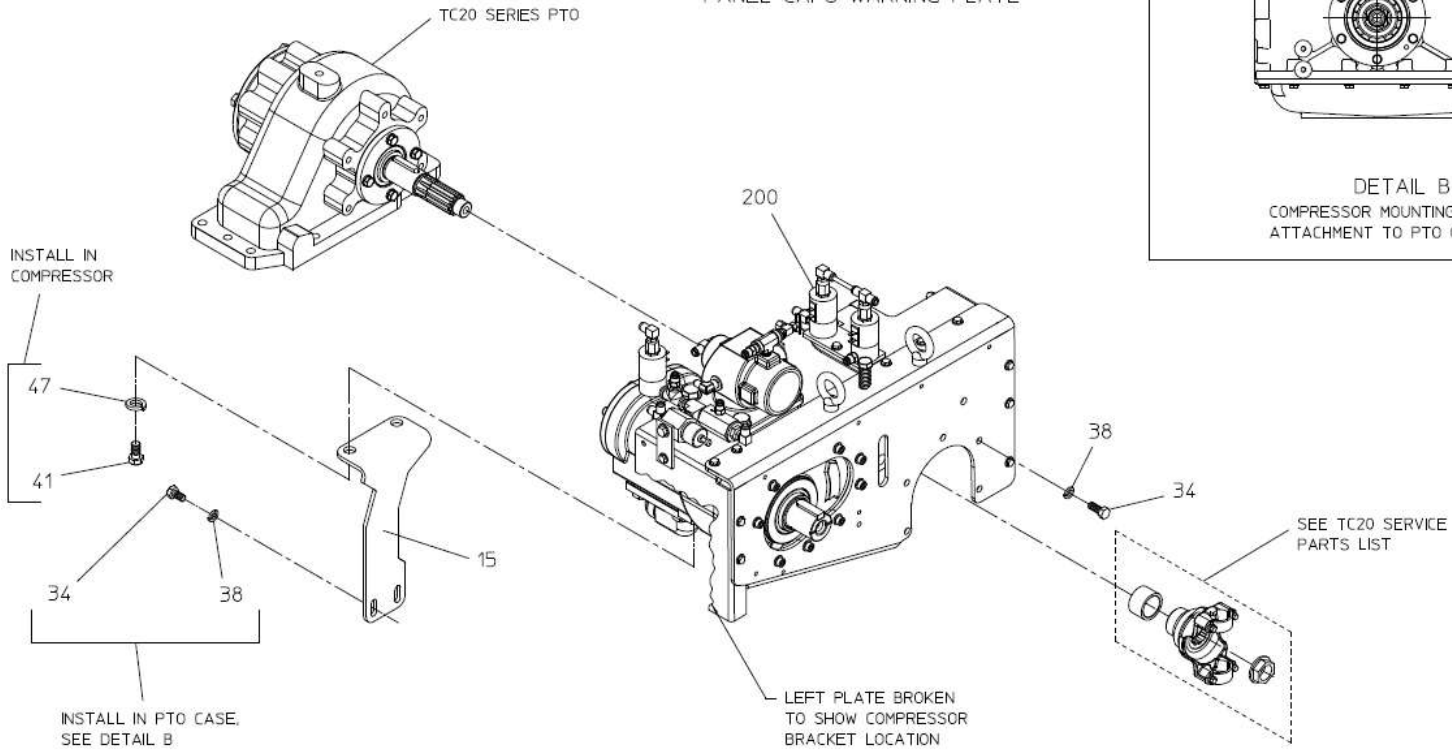
PANEL SERIAL PLATE



PANEL CFS WARNING PLATE



DETAIL B  
COMPRESSOR MOUNTING BRACKET  
ATTACHMENT TO PTO CASE

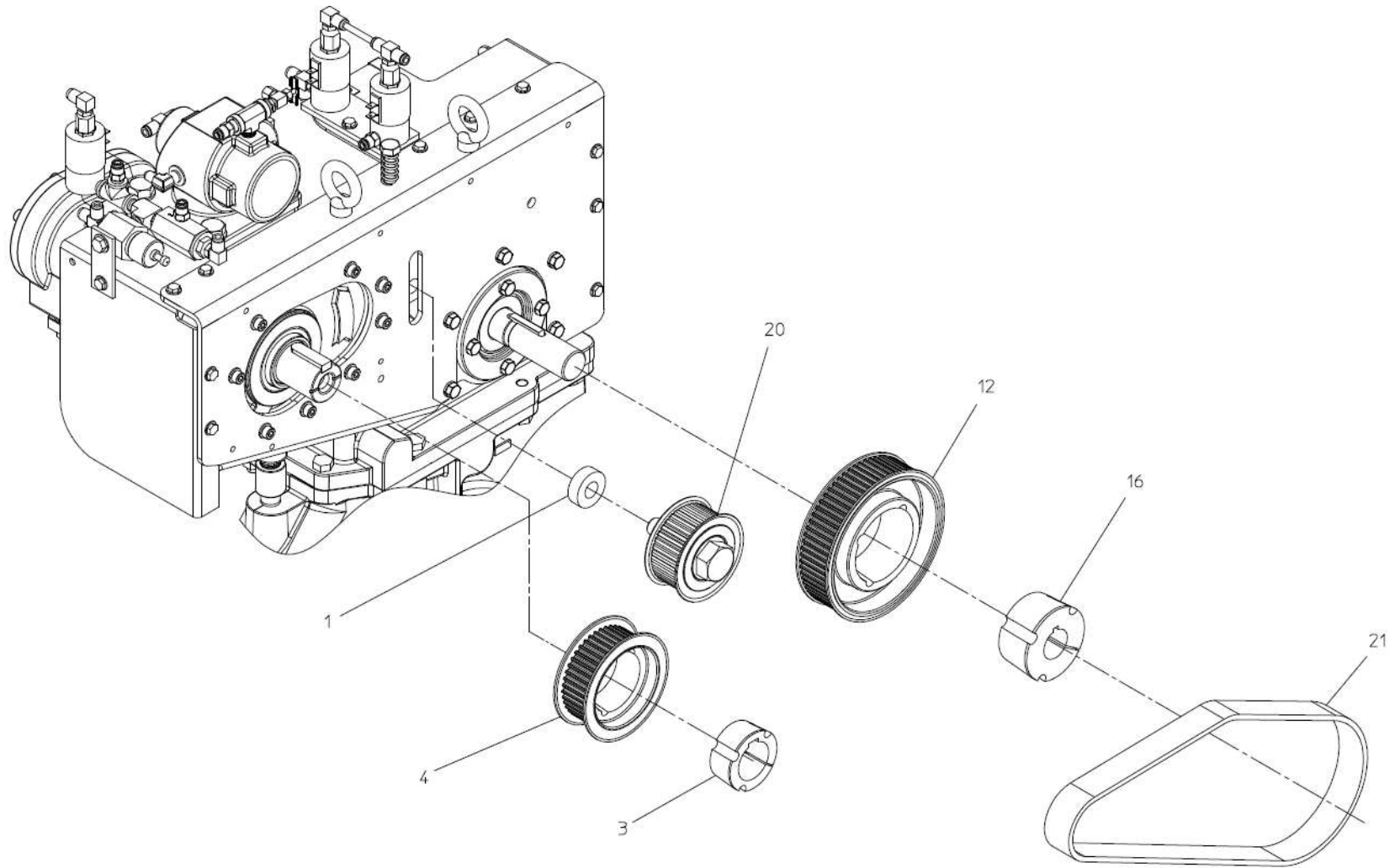


COMPRESSOR — MOUNTING  
TC20 SERIES P.T.O.'S

## Compressor – Belt Drive

REF NO.	DESCRIPTION
2	Idler Spacer
3	Taper Lock Bushing
4	Driven Sprocket
12	Drive Sprocket

REF NO.	DESCRIPTION
16	Taper Lock Bushing
20	Idler Sprocket
21	Drive Belt



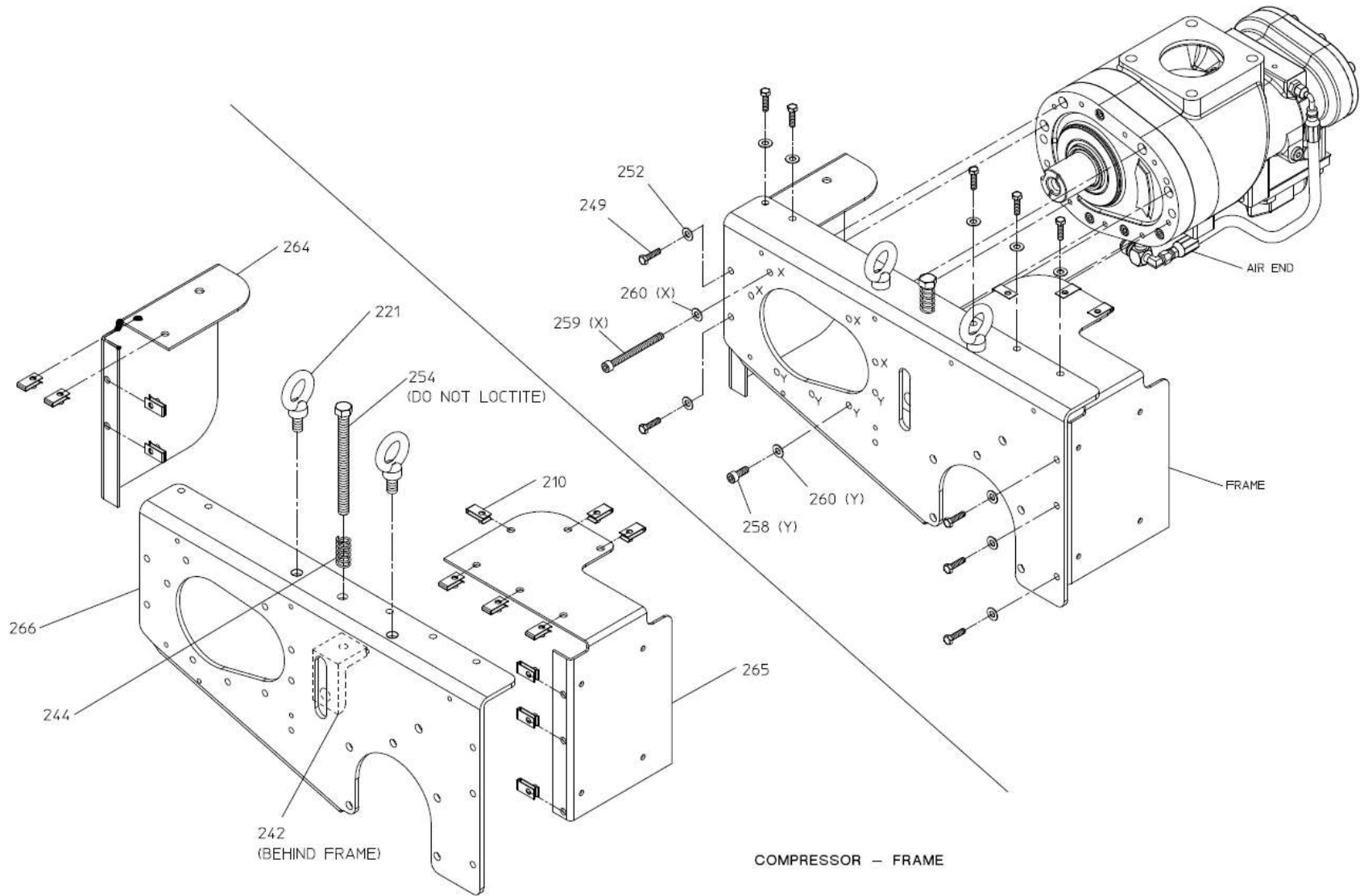
COMPRESSOR — BELT DRIVE

## Compressor – Frame

REF NO.	DESCRIPTION
210	U-Style Nut, 1/4-20
221	Bolt Eye, M12-1.75 x 21mm
242	Idler Adjustment Angle
244	Belt Tensioner Spring
249	Hex Hd Screw, 1/4-20 x 1 in.
252	Flat Washer, 1/4 in.
254	Hex Hd Screw, 1/2-13 x 6 in. (Fully Threaded)

REF NO.	DESCRIPTION
258	Hex Hd Screw, M8-1.25 x 20mm
259	Hex Hd Screw, M8-1.25 x 90mm
260	Flat Washer, 8mm
264	Left Bracket
265	Right Bracket
266	Compressor Plate

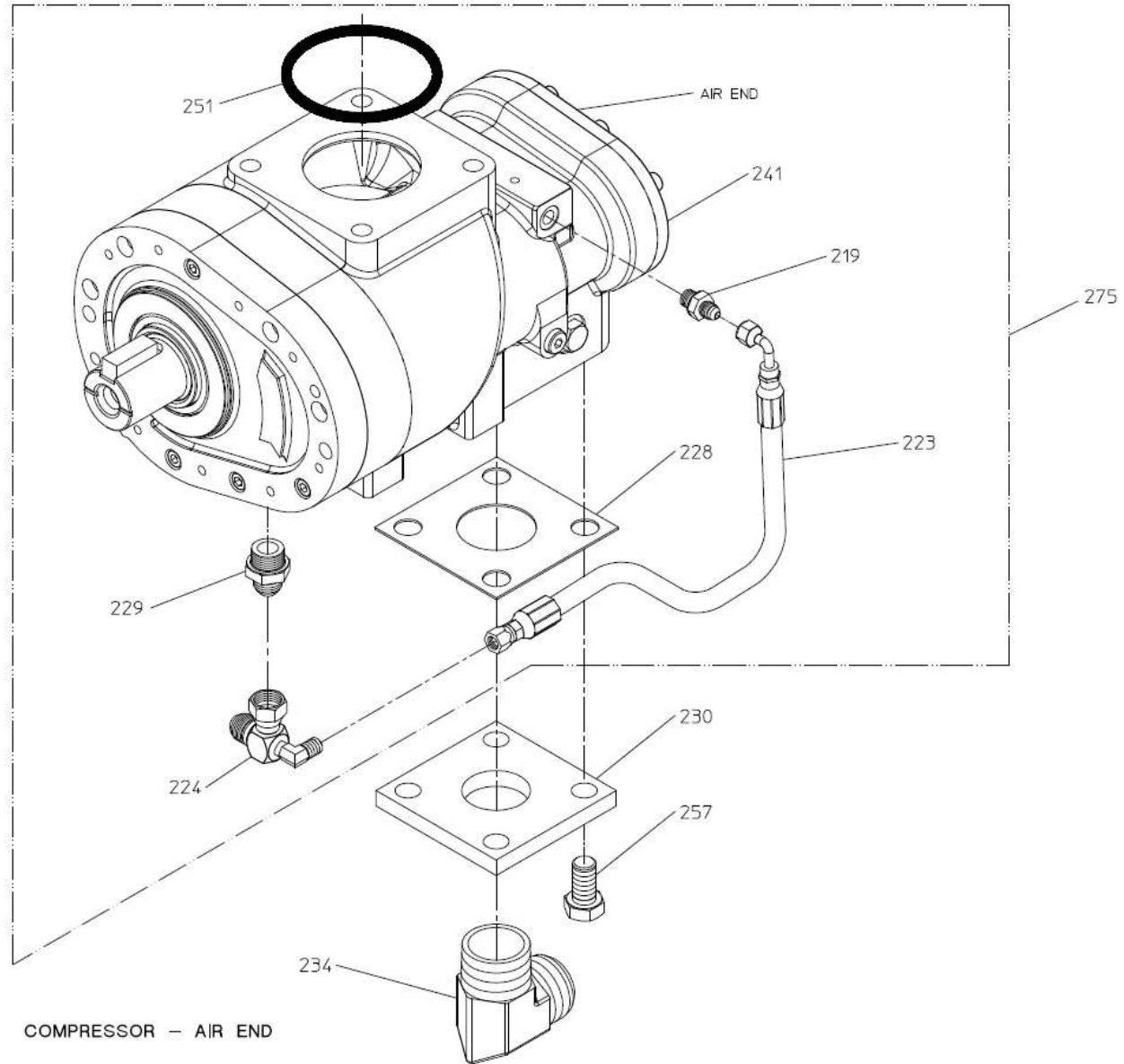




## Compressor – Air End

REF NO.	DESCRIPTION
219	Straight Adapter, M12 x 4 MJIC
223	Hose Assembly
224	Oil Return Tee
228	Outlet Gasket
229	Straight Adapter, M122-1.5 x 8 MJIC
230	Outlet Flange

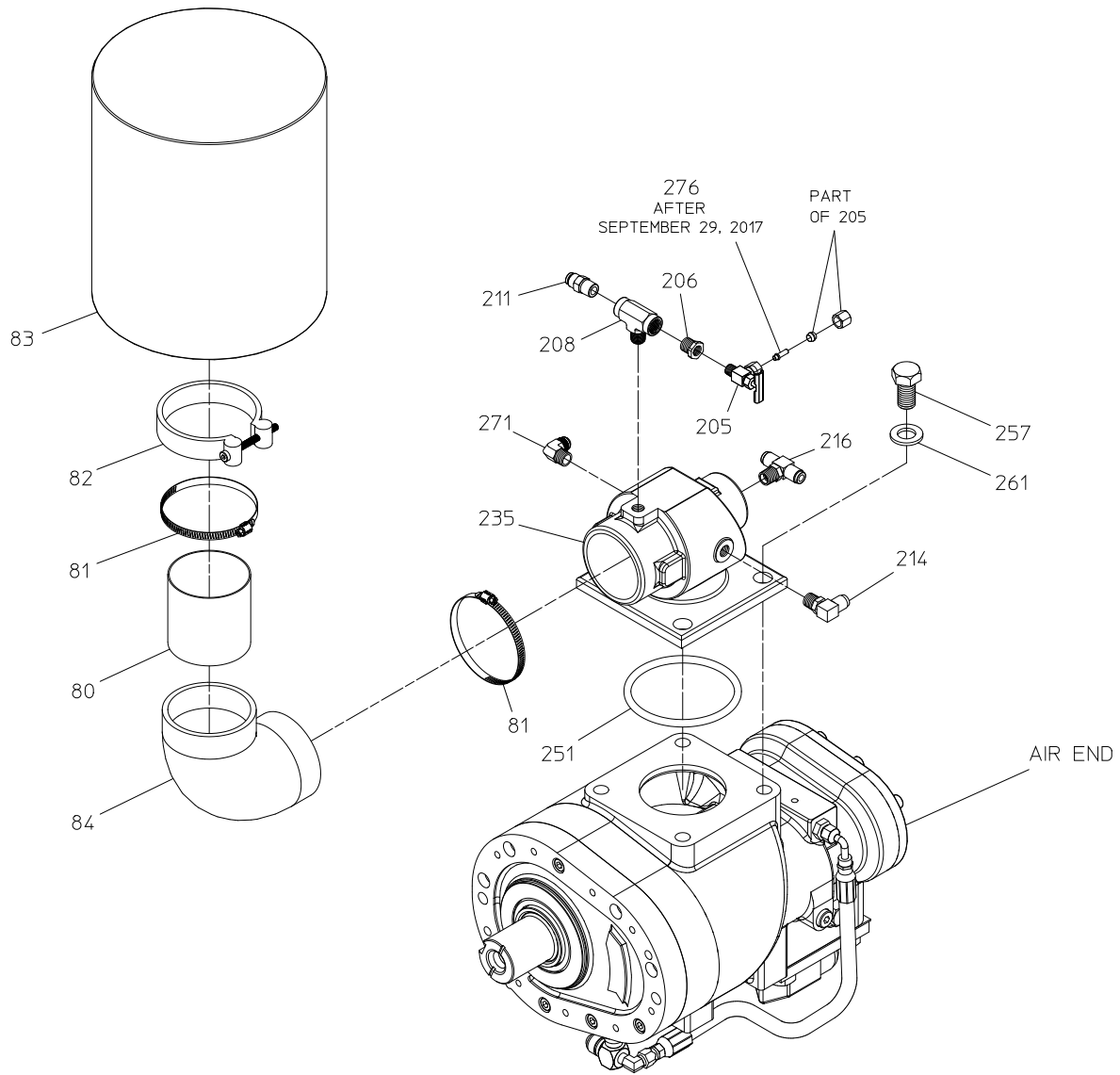
REF NO.	DESCRIPTION
234	90 Deg. Elbow, 1-1/4 MNPT x 24 MJIC
241	Air End, CF75D8
251	O-ring, 3-7/8 x 4-1/4 in.
257	Hex Hd Screw, M16-2 x 30mm
275	Replacement Compressor Kit



## Compressor – Air Inlet

REF NO.	DESCRIPTION
80	Inlet Adapter, 3 x 3 in.
81	Hose Clamp, 3-3/4 in.
82	T-Bolt Hose Clamp, 3-1/2 in.
83	Air Filter
84	90 Deg. Elbow, 3 in. (Rubber)
205	Trim Valve, 1/8 MNPT x 1/4 AB
206	Reducing Bushing, 1/4 NPT x 1/8 NPT
208	Tee, 1/4 FNPT x 1/4 FNPT x 1/4 MNPT

REF NO.	DESCRIPTION
211	Straight Adapter, 1/4 MNPT x 1/4 AB
214	90 Deg. Elbow, 1/4 MNPT x 1/4 AB
216	Tee, 4 MJIC x 1/4 MNPT x 1/4 AB x 1/4 AB
235	90 Degree Air Inlet
251	O-ring, 3-7/8 x 4-1/4 in.
257	Hex Hd Screw, M16-2 x 30mm
261	Flat Washer, 16mm
271	90 Deg. Elbow, 4 MJIC x 1/4 MNPT
276	Internal Support Sleeve



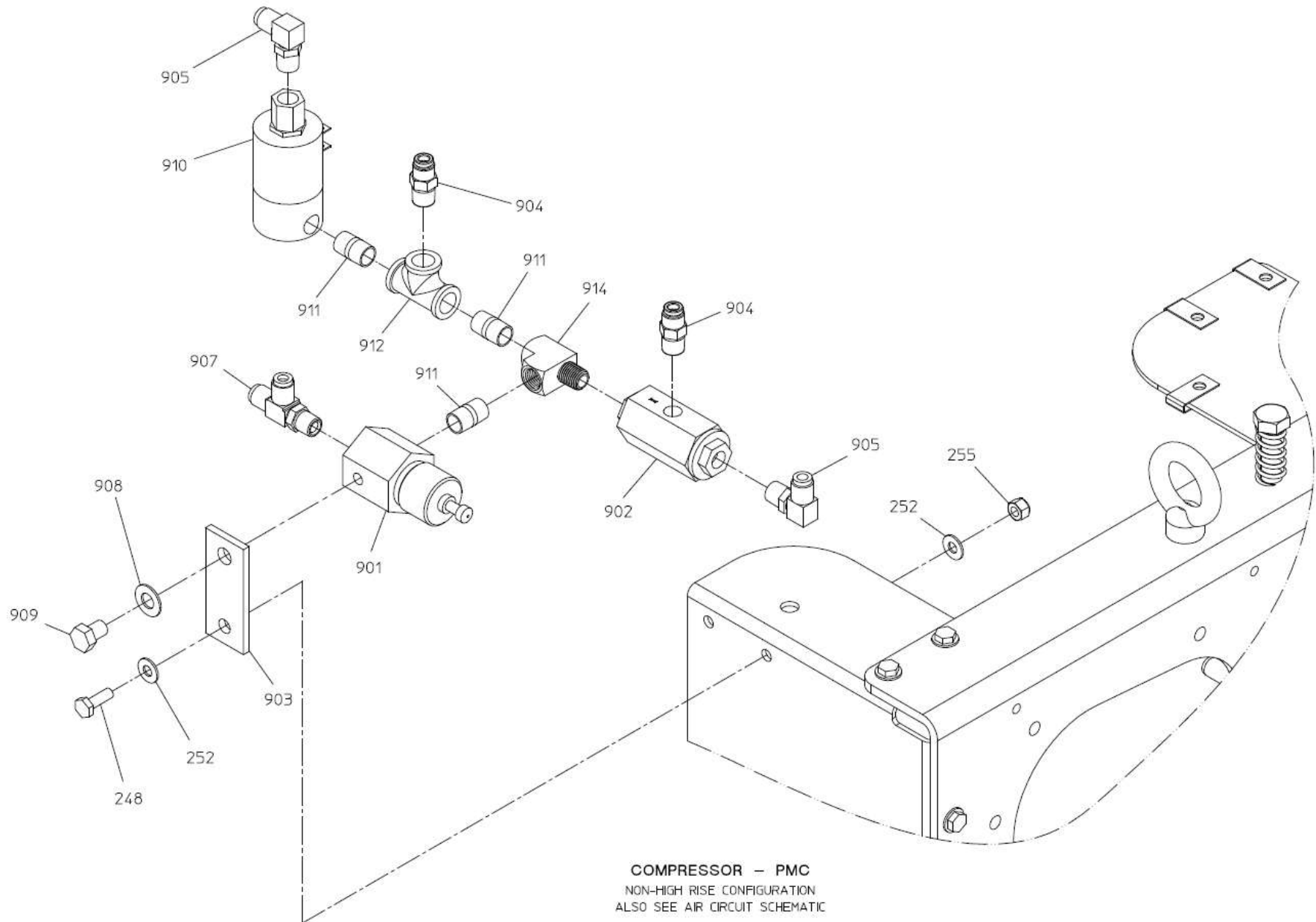
**COMPRESSOR - AIR INLET**

ALSO SEE AIR CIRCUIT AND HYDRAULIC SCHEMATICS

**Compressor – PMC**  
 Non-High Rise Configuration

REF NO.	DESCRIPTION
248	Hex Hd Screw, 1/4-20 x 3/4 in.
252	Flat Washer, 1/4
255	Nylok Hex Nut, 1/4-20
901	Pressure Regulator
902	Blowdown Valve
903	Mounting Bracket
904	Straight Adapter, 1/4 MNPT x 1/4 AB
905	90 Deg. Elbow, 1/4 MNPT x 1/4 AB

REF NO.	DESCRIPTION
907	AB Branch Tee, 1/4 AB x 1/4 MNPT x 1/4 AB
908	Flat Washer, 3/8 in.
909	Hex Hd Screw, 3/8-16 x 1/2 in.
910	Solenoid Valve
911	Pipe Nipple, 1/4 MNPT x 7/8 in.
912	Tee, 1/4 FNPT
914	Female Branch Street Tee, 1/4 NPT

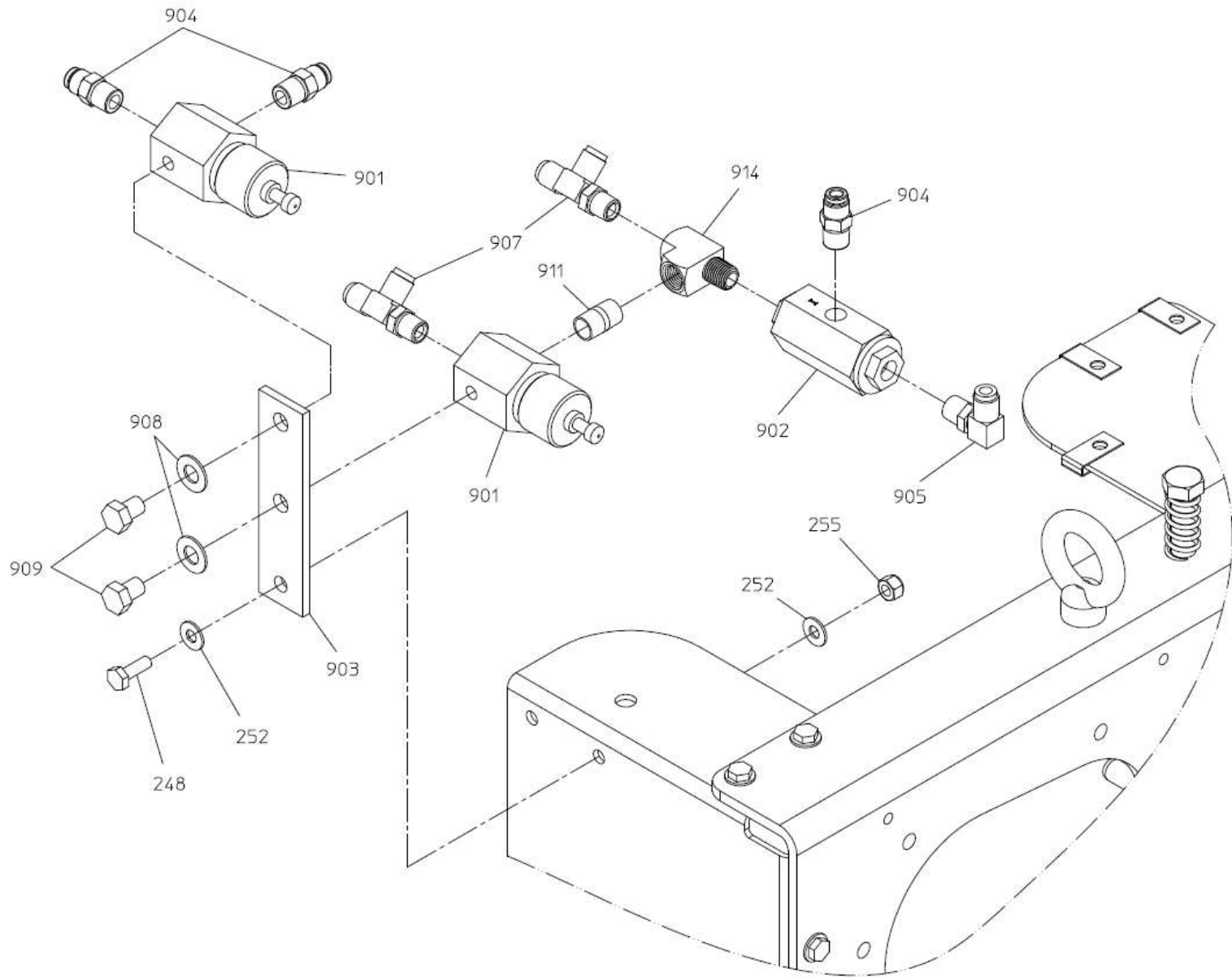


**Compressor – PMC**  
High Rise Configuration

REF NO.	DESCRIPTION
248	Hex Hd Screw, 1/4-20 x 3/4 in.
252	Flat Washer, 1/4
255	Nylok Hex Nut, 1/4-20
901	Pressure Regulator
902	Blowdown Valve
903	Mounting Bracket
904	Straight Adapter, 1/4 MNPT x 1/4 AB
905	90 Deg. Elbow, 1/4 MNPT x 1/4 AB

REF NO.	DESCRIPTION
907	AB Branch Tee, 1/4 AB x 1/4 MNPT x 1/4 AB
908	Flat Washer, 3/8 in.
909	Hex Hd Screw, 3/8-16 x 1/2 in.
911	Pipe Nipple, 1/4 MNPT x 7/8 in.
912	Tee, 1/4 FNPT
914	Female Branch Street Tee, 1/4 NPT



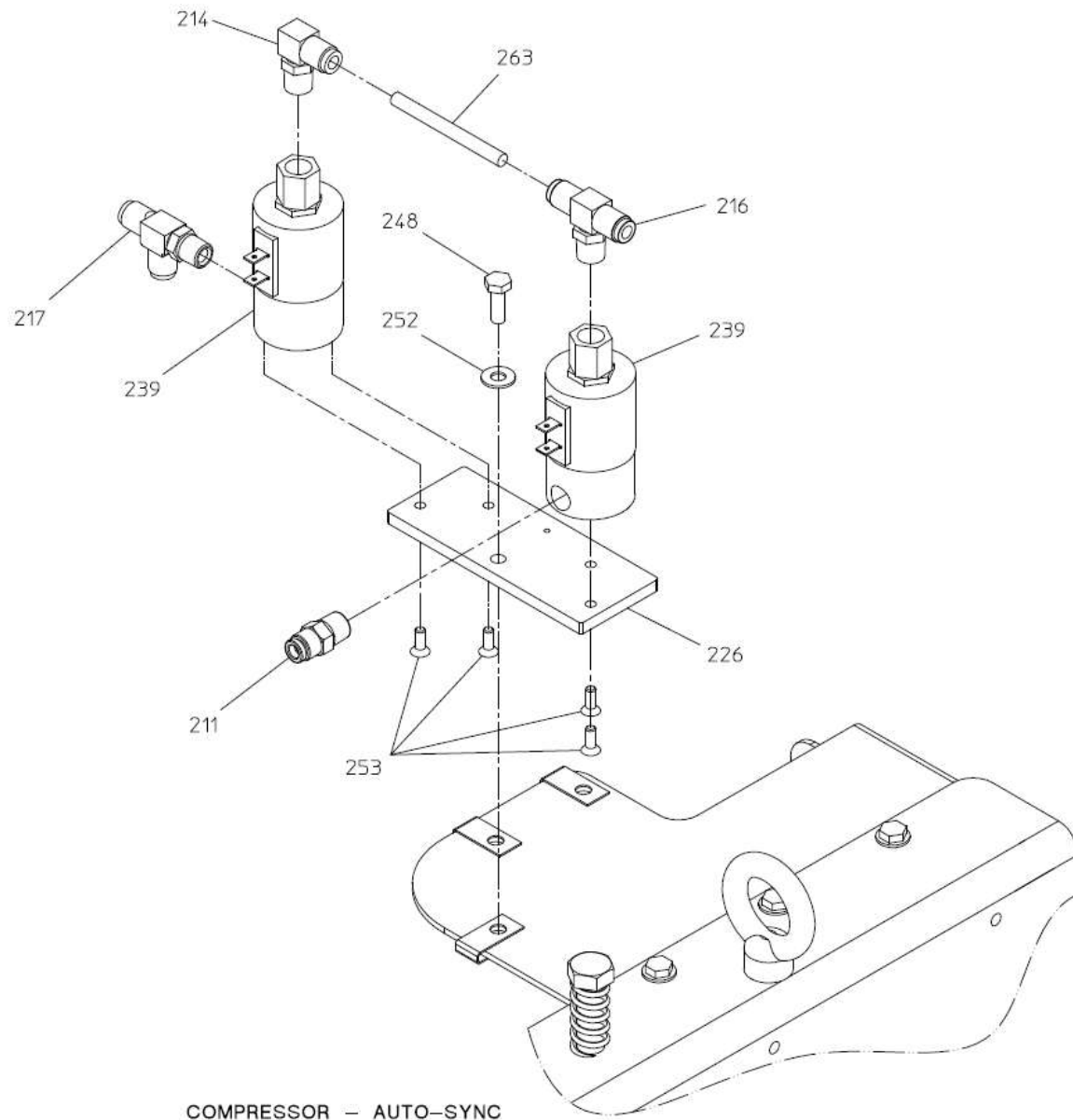


COMPRESSOR - PMC  
HIGH RISE CONFIGURATION  
ALSO SEE AIR CIRCUIT SCHEMATIC

**Compressor – Auto-Sync**  
High Rise Configuration Only

<b>REF NO.</b>	<b>DESCRIPTION</b>
211	Straight Adapter, 1/4 MNPT x 1/4 AB
214	90 Deg. Elbow, 1/4 MNPT x 1/4 AB
216	Branch Tee, 1/4 MNPT x 1/4 AB x 1/4 AB
217	Run Tee, 1/4 MNPT x 1/4 AB x 1/4 AB
226	Flat Solenoid Bracket

<b>REF NO.</b>	<b>DESCRIPTION</b>
239	Solenoid Valve
248	Hex Hd Screw, 1/4-20 x 3/4 in.
252	Flat Washer, 1/4 in.
253	Flat Hd Screw, No. 10-32 x 1/2 in.
263	Red Air Brake Tube, 1/4 x 24 in. (Cut to Suit Installation)

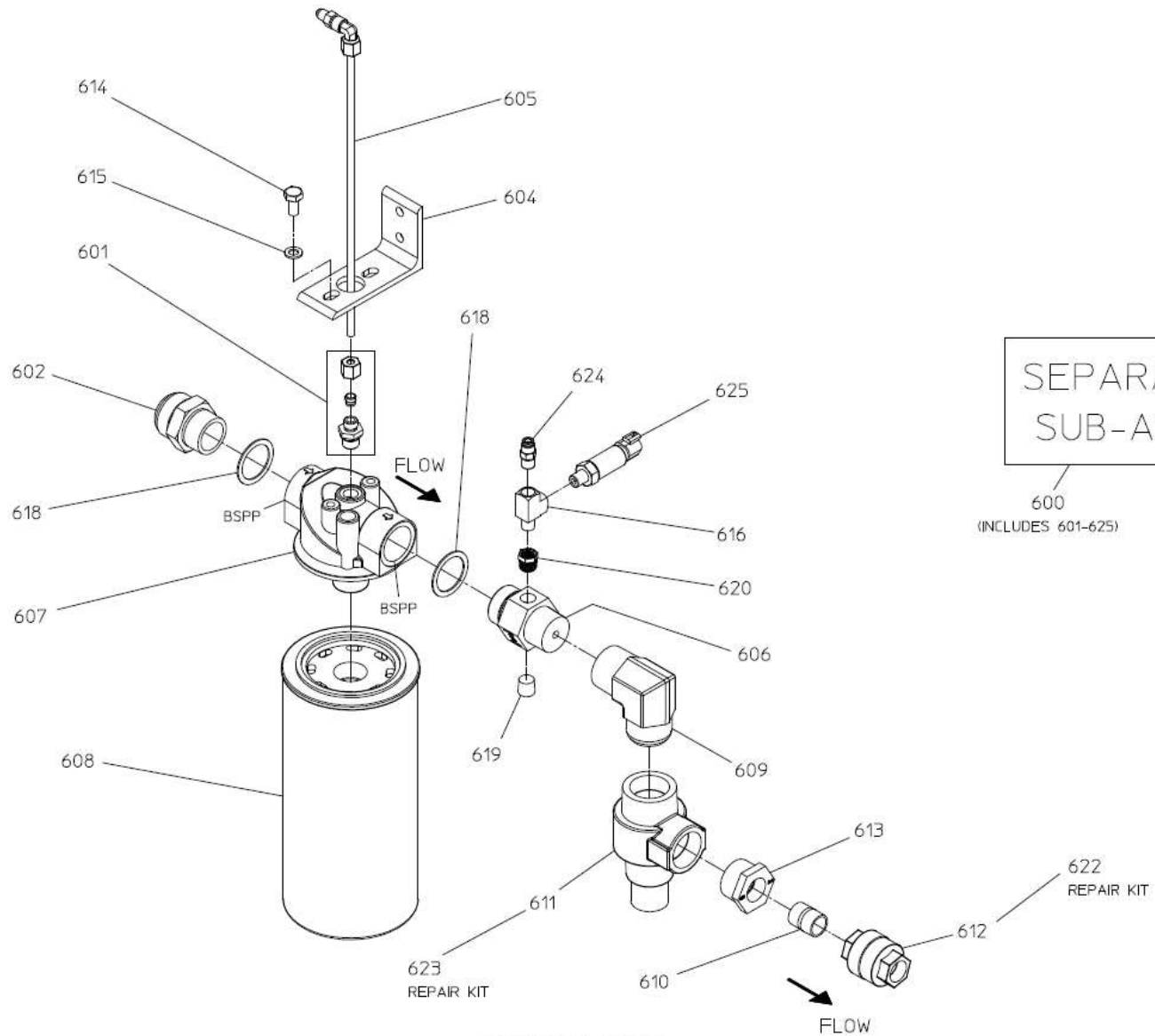


COMPRESSOR – AUTO-SYNC  
HIGH RISE CONFIGURATION ONLY

## Separator Filter

REF NO.	DESCRIPTION
600	Separator Filter Subassembly (Includes 601 – 625)
601	Scavenger Fitting
602	Straight Adapter, 24 MJIC x 1-1/4 BSP
604	Large Separator Bracket
605	Repair Ass'y Scavenger Tube
606	Restrictor Fitting, 5/16 in.
607	Large Filter Head
608	Large Separator Filter
609	90 Deg. Street Elbow, 1-1/4 NPT
610	Close Nipple, 3/4 in. NPT
611	Minimum Pressure Control Valve, 1-1/4 in.
612	Check Valve, 3/4 in.

REF NO.	DESCRIPTION
613	Reducing Bushing, 1-1/4 NPT x 3/4 in. NPT
614	Hex Hd Screw, M10-1.5 x 20 mm
615	Flat Washer, 10 mm
616	Tee, 1/4 FNPT x 1/4 MNPT x 1/4 FNPT
618	Copper Washer, 1.928 in. OD
619	Headless Pipe Plug, 3/8 in. NPT
620	Reducer Bushing, 3/8 NPT x 1/4 NPT
622	Check Valve Rebuild Kit, 3/4 in.
623	Minimum Pressure Control Valve Repair Kit
624	Straight Adapter, 1/4 MNPT x 1/4 AB
625	Pressure Transducer



SEPARATOR  
SUB-ASS'Y

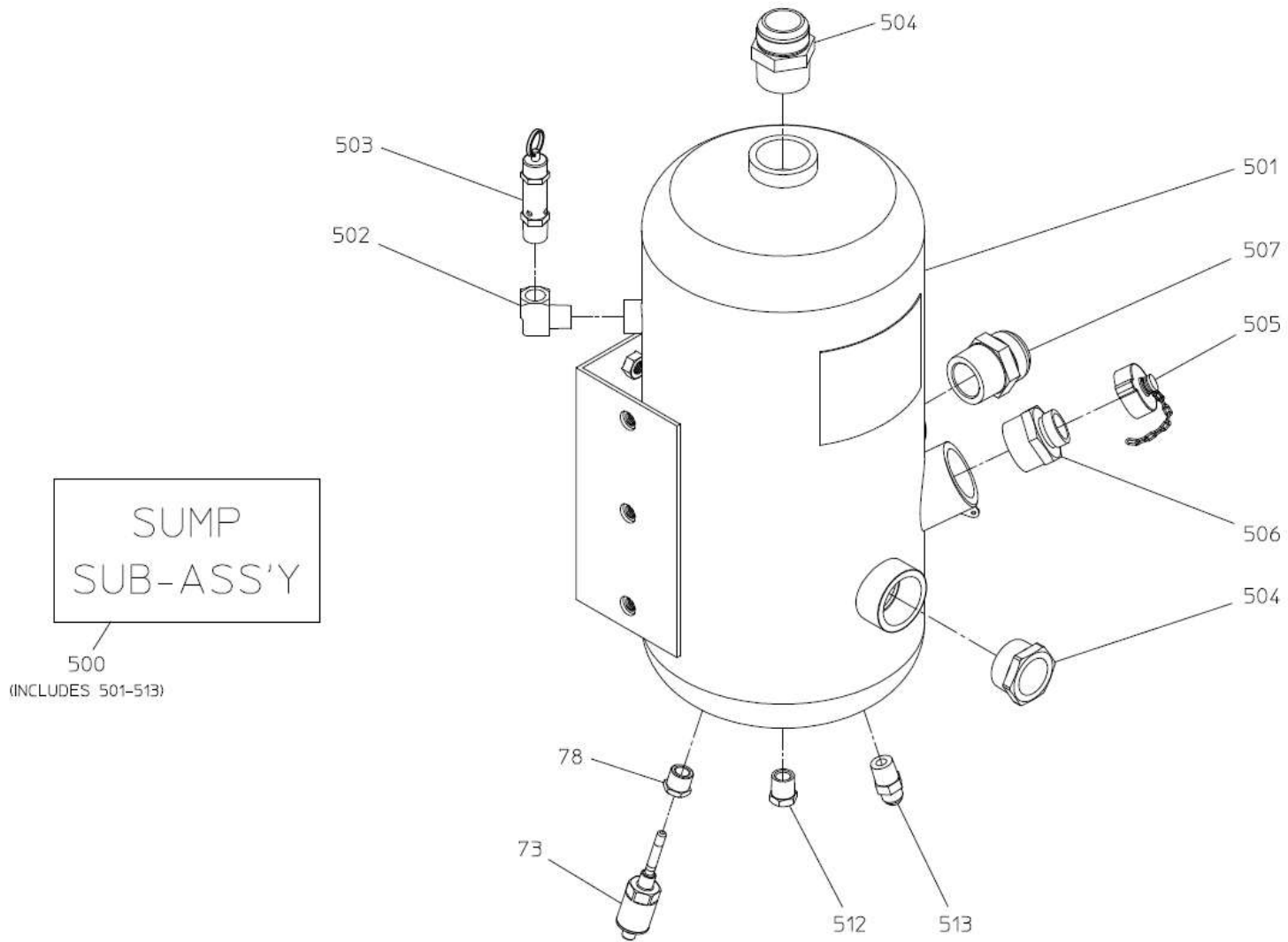
600  
(INCLUDES 601-625)

SEPERATOR FILTER  
ALSO SEE HYDRAULIC SCHEMATIC

## Sump

REF NO.	DESCRIPTION
73	Temperature Sender
78	Reducing Bushing, 1/2 MNPT x 1/4 FNPT
500	Sump Subassembly (Includes 501 – 513)
501	Vertical Sump, 10 in.
502	90 Deg. Street Elbow, 1/2 NPT
503	Pop Off Valve, 1/2 in.
504	Straight Adapter, 24 MJIC x 1-1/2 MNPT

REF NO.	DESCRIPTION
505	Cap with Chain, 1 in. NPSH
506	Nipple, 1-1/2 in. NPT x 1 in. NPSH
507	Sight Glass, 1-1/2 in.
512	Hex Hd Plug, 1/2 in. NPT
513	Straight Adapter, 1/2 MNPT x 8 MJIC



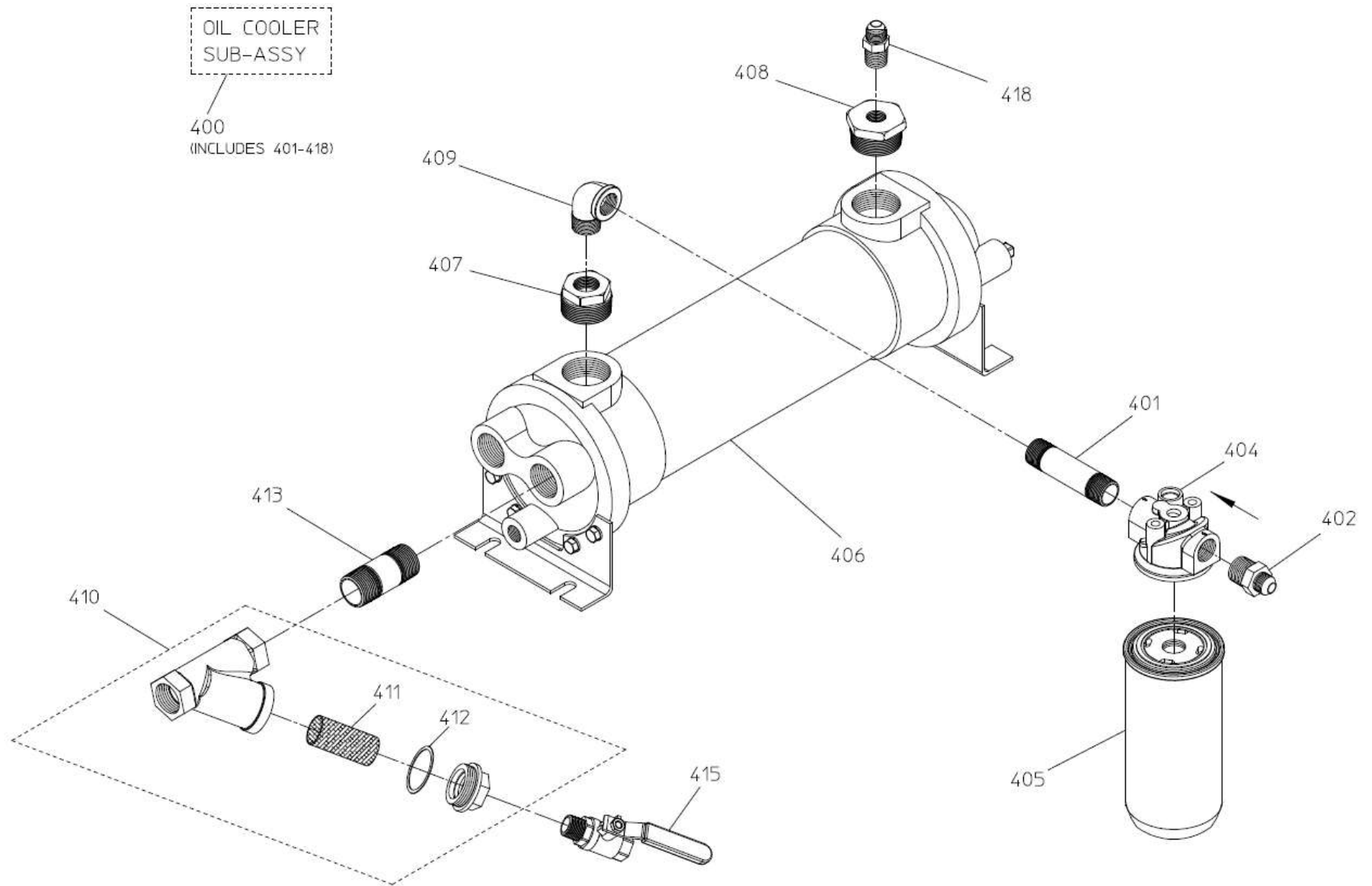
**SUMP**  
ALSO SEE HYDRAULIC SCHEMATIC

**Oil Cooler and Filter**  
In-Line Strainer

REF NO.	DESCRIPTION
400	Oil Cooler Subassembly (Includes 401 – 418)
401	Pipe Nipple, 3/4 NPT x 4 in.
402	Straight Adapter, 8 MJIC x 3/4 MNPT
404	Large Filter Head
405	Oil Filter, WD962
406	Large Cooler, Iron
407	Reducing Bushing, 1-1/2 NPT x 3/4 NPT
408	Reducing Bushing, 1-1/2 NPT x 1/2 NPT

REF NO.	DESCRIPTION
409	90 Deg. Street Elbow, 3/4 NPT
410	Wye Strainer, 1 in.
411	Strainer Screen, 1 in.
412	Strainer Gasket, 1 in.
413	Pipe Nipple, 1 in. NPT x 3 in.
415	Ball Valve, 1/2 FNPT x MNPT
418	Straight Adapter, 8 MJIC x 1/2 MNPT





**OIL COOLER AND FILTER**  
 IN-LINE STRAINER  
 ALSO SEE HYDRAULIC SCHEMATIC

## Oil Cooler and Filter

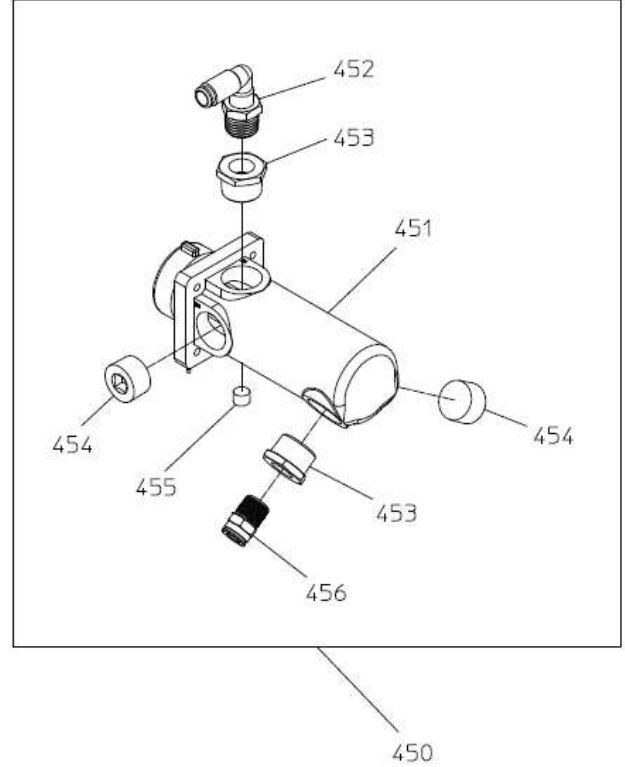
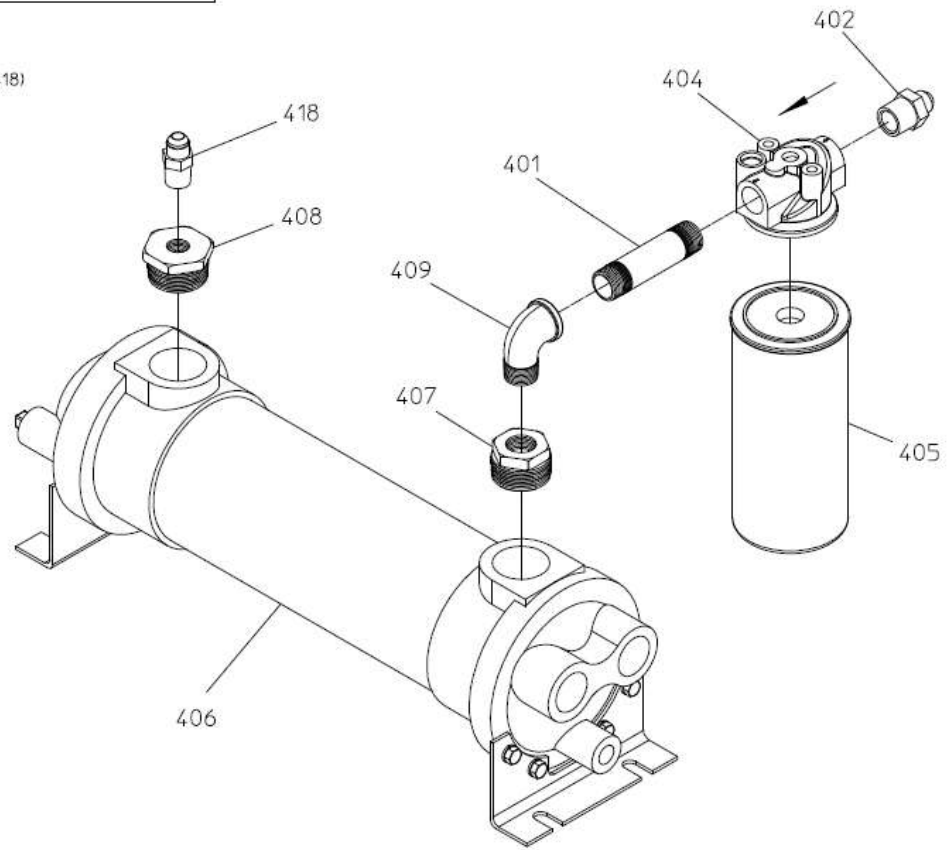
### Panel Strainer

REF NO.	DESCRIPTION
400	Oil Cooler Subassembly (Includes 401 – 418)
401	Pipe Nipple, 3/4 NPT x 4 in.
402	Straight Adapter, 8 MJIC x 3/4 MNPT
404	Large Filter Head
405	Oil Filter, WD962
406	Large Cooler, Iron
407	Reducing Bushing, 1-1/2 NPT x 3/4 NPT
408	Reducing Bushing, 1-1/2 NPT x 1/2 NPT
409	90 Deg. Street Elbow, 3/4 NPT

REF NO.	DESCRIPTION
418	Straight Adapter, 8 MJIC x 1/2 MNPT
450	Panel Strainer Subassembly (Includes 451 – 456)
451	Panel Mounted Strainer, 20 Mesh
452	90 Deg. Elbow, 1/2 MNPT x 1/2 AB
453	Reducing Bushing, 1 MNPT x 1/2 FNPT
454	Headless Plug, 1/4 NPT
455	Headless Plug, 1/4 NPT
456	Straight Adapter, 1/2 MNPT x 1/2 AB

OIL COOLER  
SUB-ASS'Y

400  
(INCLUDES 401-418)

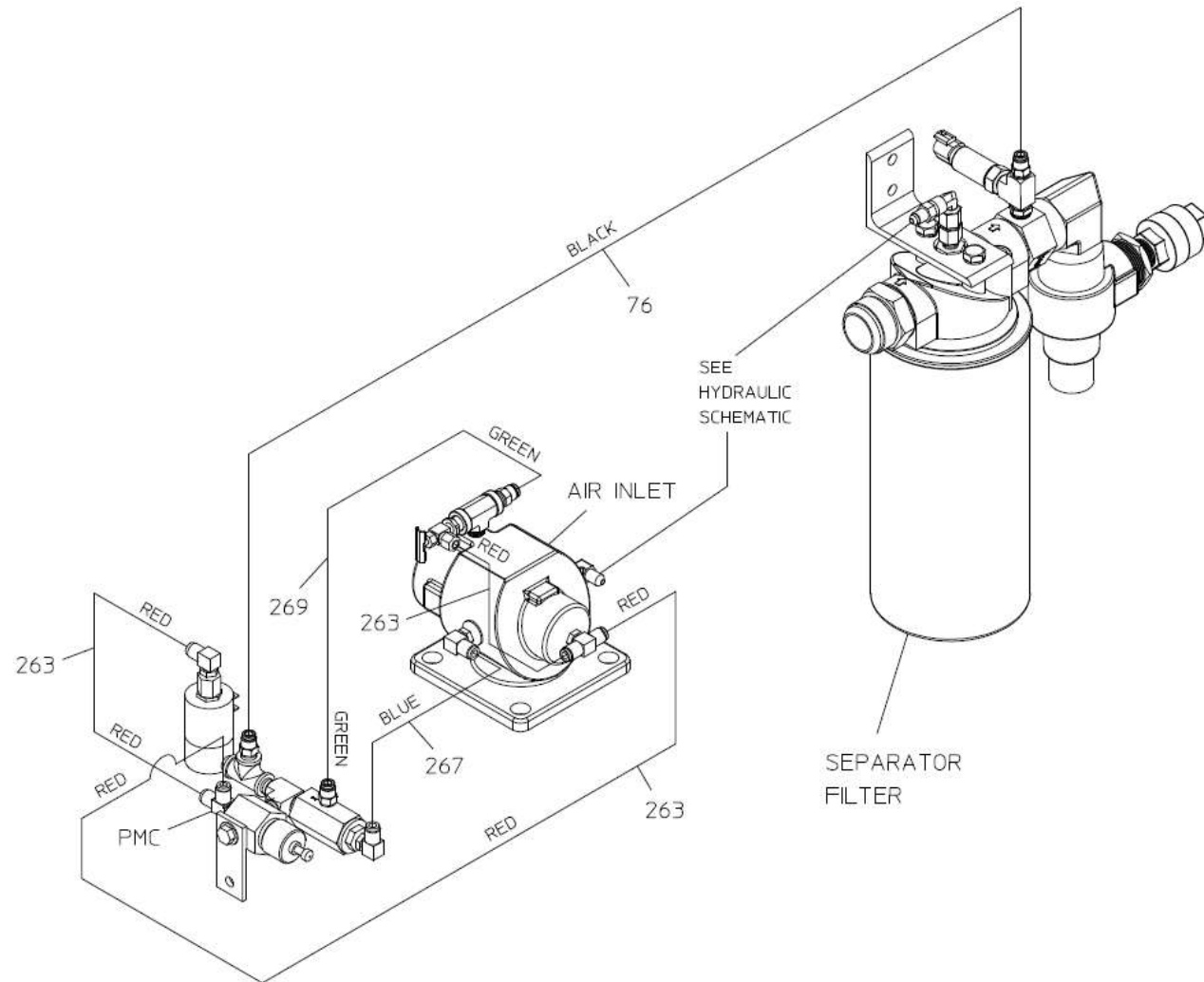


OIL COOLER AND FILTER  
PANEL STRAINER  
ALSO SEE HYDRAULIC SCHEMATIC

**Schematic – Air Circuit**  
 Non-High Rise Configuration

REF NO.	DESCRIPTION
76	Black Air Brake Tube, 1/4 in. x 180 in. (Cut to Suit Installation)
263	Red Air Brake Tube, 1/4 in. x 24 in. (Cut to Suit Installation)
267	Blue Air Brake Tube, 1/4 in. x 24 in. (Cut to Suit Installation)

REF NO.	DESCRIPTION
269	Green Air Brake Tube, 1/4 in. x 24 in. (Cut to Suit Installation)
270	Black Air Brake Tube, 1/4 in. x 24 in. (Cut to Suit Installation)

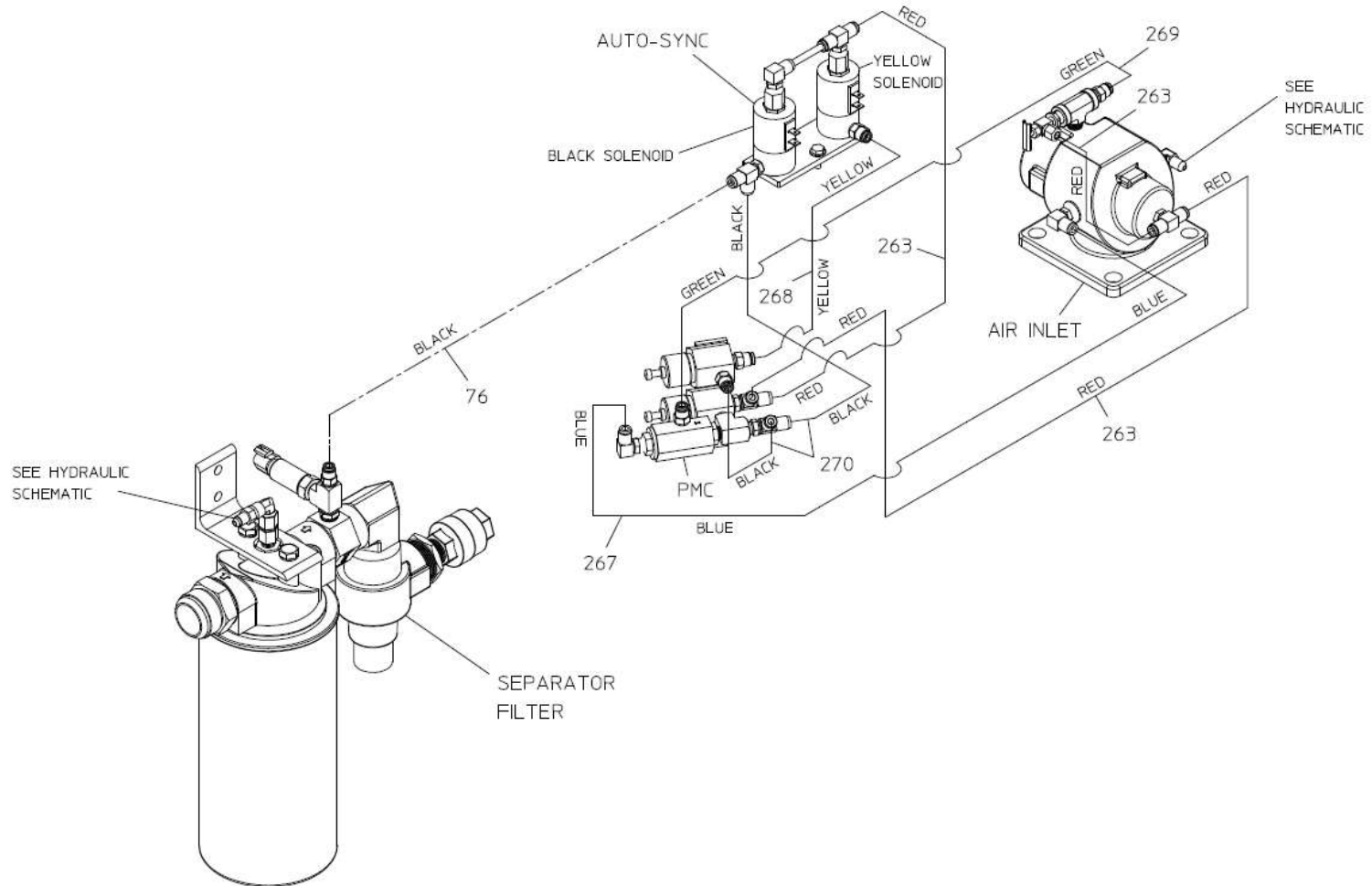


**SCHEMATIC – AIR CIRCUIT**  
NON-HIGH RISE CONFIGURATION

**Schematic – Air Circuit**  
High Rise Configuration

<b>REF NO.</b>	<b>DESCRIPTION</b>
76	Black Air Brake Tube, 1/4 in. x 180 in. (Cut to Suit Installation)
263	Red Air Brake Tube, 1/4 in. x 24 in. (Cut to Suit Installation)
267	Blue Air Brake Tube, 1/4 in. x 24 in. (Cut to Suit Installation)
268	Yellow Air Brake Tube, 1/4 in. x 24 in. (Cut to Suit Installation)

<b>REF NO.</b>	<b>DESCRIPTION</b>
269	Green Air Brake Tube, 1/4 in. x 24 in. (Cut to Suit Installation)
270	Black Air Brake Tube, 1/4 in. x 24 in. (Cut to Suit Installation)



**SCHEMATIC – AIR CIRCUIT**  
HIGH RISE CONFIGURATION

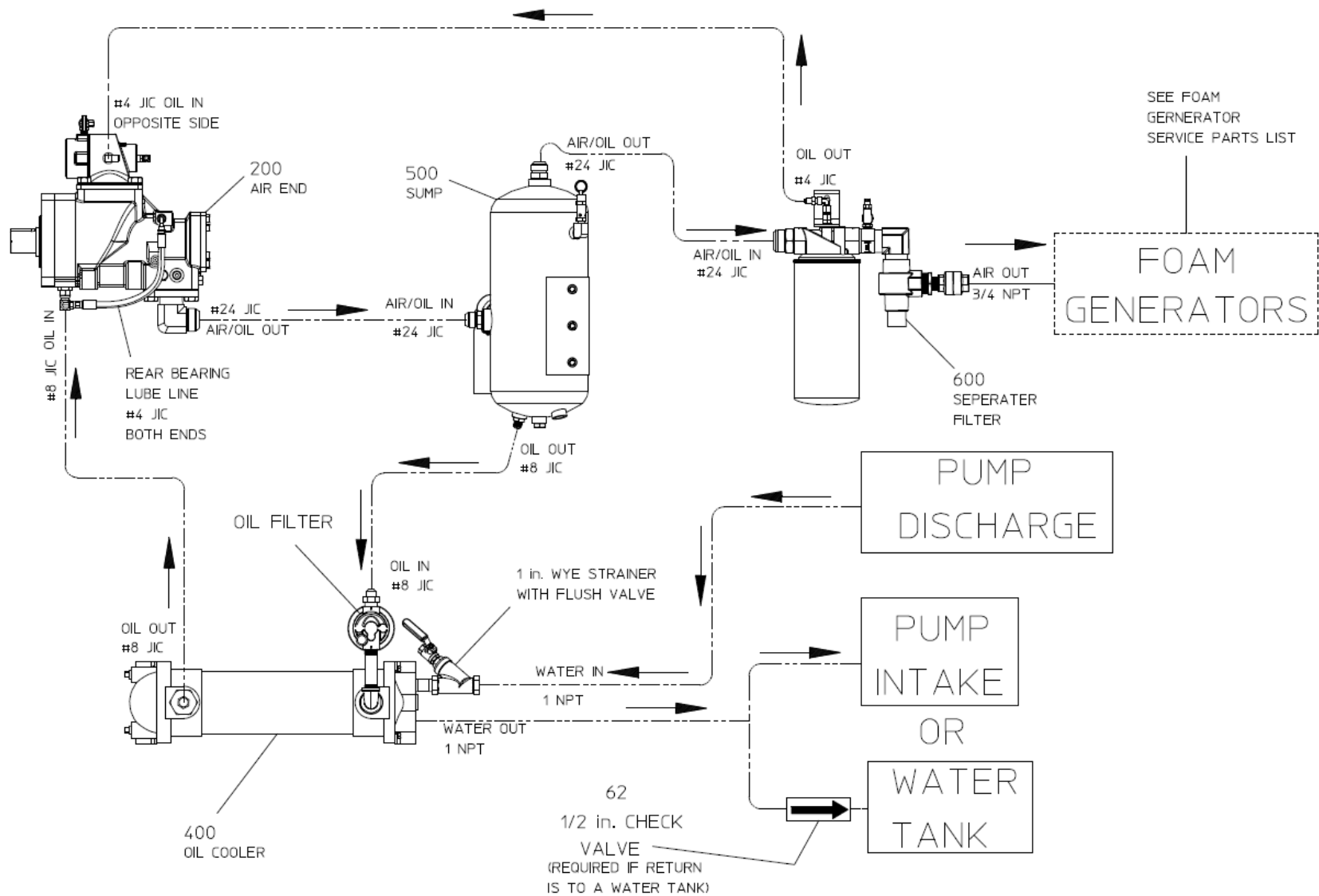
## Schematic – Hydraulic

### In-Line Strainer

REF NO.	DESCRIPTION
62	Bronze Check Valve, 1/2 in.
200	Compressor Subassembly
400	Oil Cooler Subassembly

REF NO.	DESCRIPTION
500	Sump Subassembly
600	Separator Subassembly





NOTE: HOSES AND FITTINGS ARE OPTIONAL FROM WATEROUS. MAY HAVE BEEN FURNISHED BY OEM. SEE HOSE AND FITTING KIT PARTS LIST.

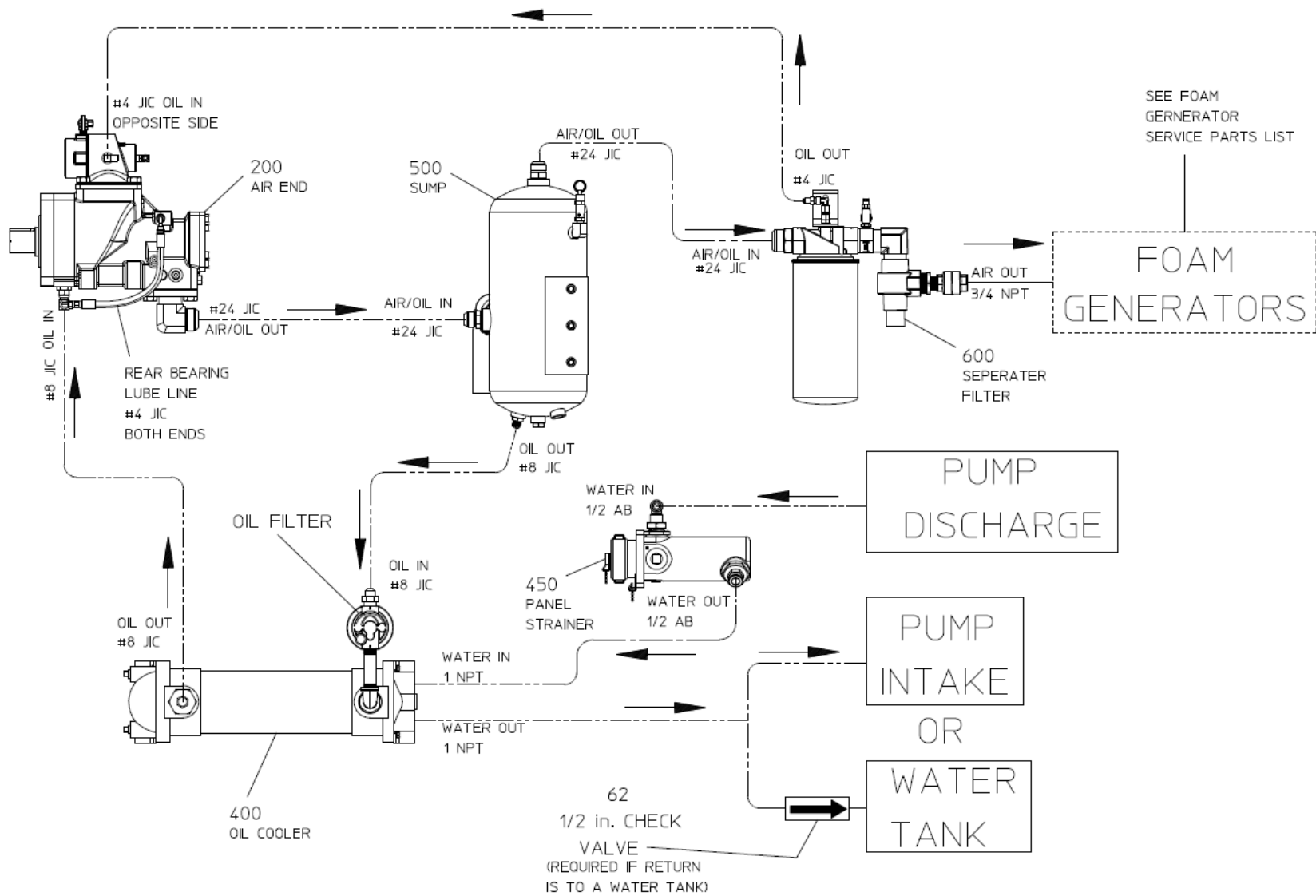
SCHEMATIC - HYDRAULIC  
IN-LINE STRAINER

## Schematic – Hydraulic

### Panel Strainer

REF NO.	DESCRIPTION
62	Bronze Check Valve, 1/2 in.
200	Compressor Subassembly
400	Oil Cooler Subassembly
450	Panel strainer Subassembly

REF NO.	DESCRIPTION
500	Sump Subassembly
600	Separator Subassembly



NOTE: HOSES AND FITTINGS ARE OPTIONAL FROM WATEROUS. MAY HAVE BEEN FURNISHED BY OEM. SEE HOSE AND FITTING KIT PARTS LIST.

**SCHEMATIC – HYDRAULIC**  
PANEL STRAINER