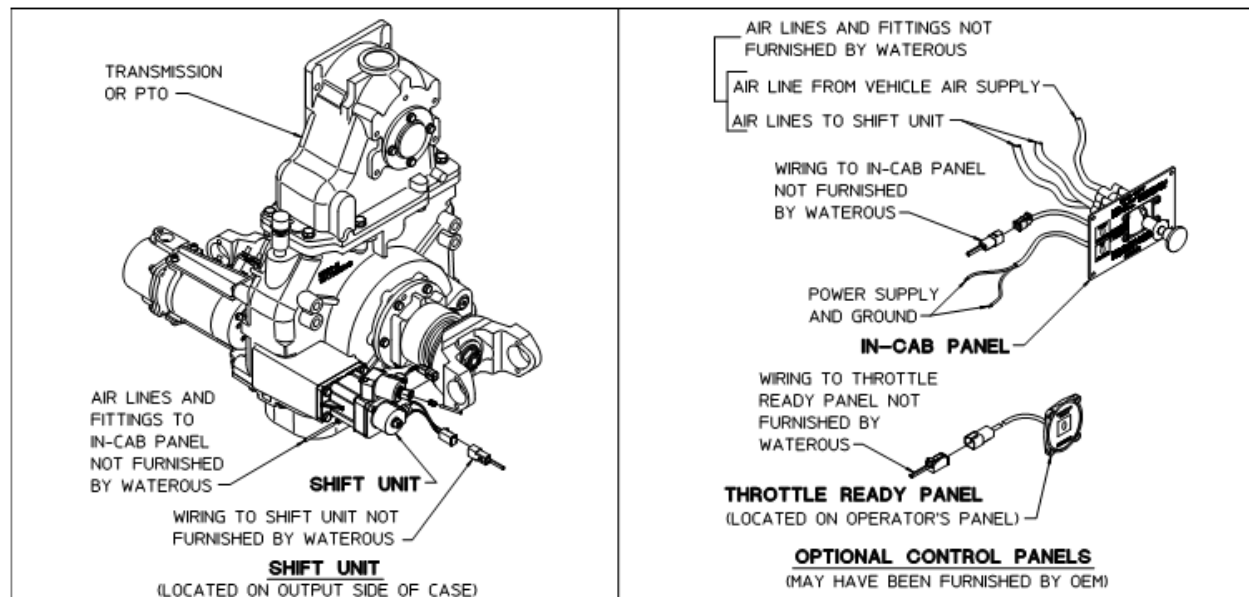


Pneumatic Shift Service Parts List

As used with C20, C21 Series Transmissions and TC20 Series PTO's

Index:

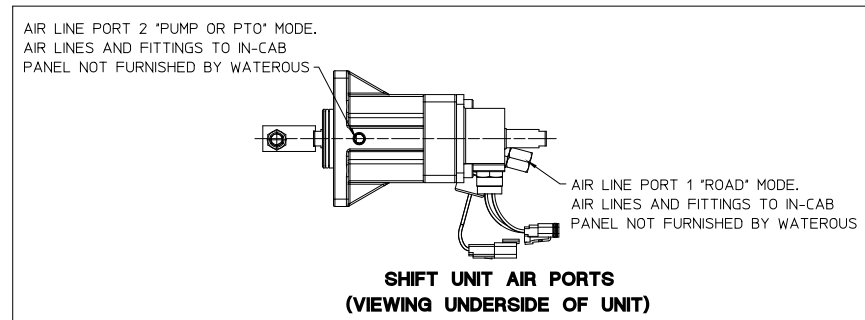
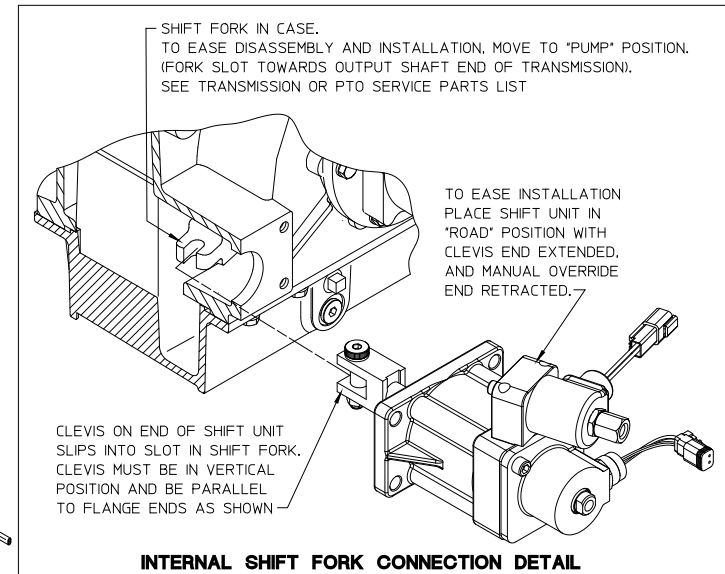
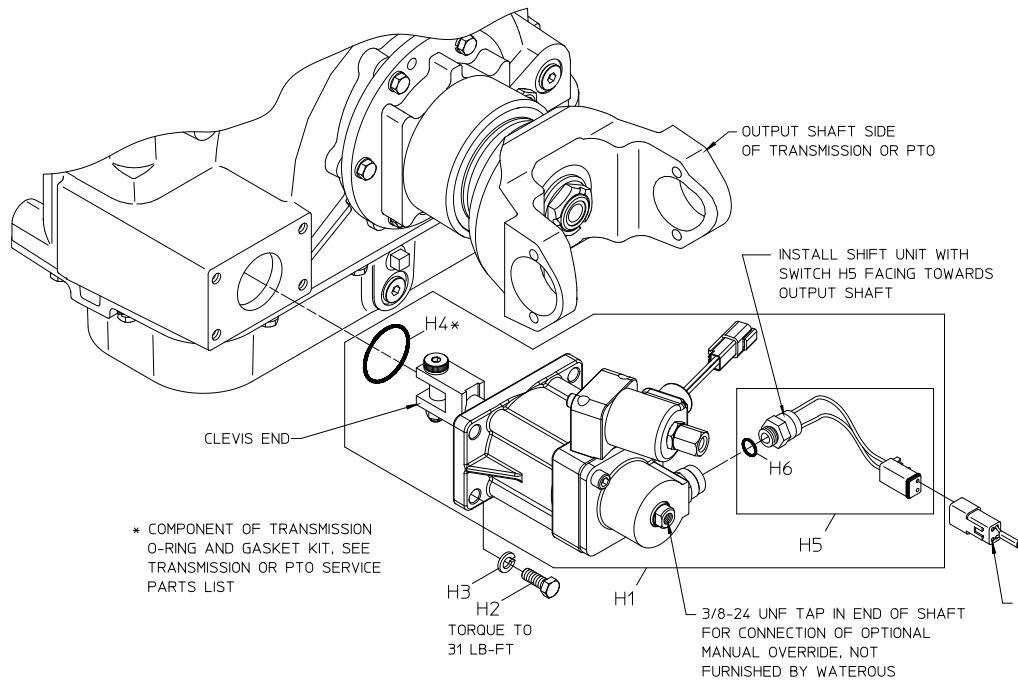
Component		See Page	
Shift Unit	Mounting on Transmission or PTO	2, 3	
	Components	4, 5	
Optional Control Panels <i>(May have been furnished by OEM)</i>	In-Cab Panel	6, 7	
	Throttle Ready Panel <i>(Located on Operator's Panel)</i>	Single Light	8, 9
		Dual Light	10, 11



Shift Unit – Mounting on Transmission or PTO

REF. NO.	DESCRIPTION
H1	Shift Unit Assembly (Includes Ref. No.'s H4 and H5)
H2	Hex Hd Screw, 3/8-16 x 1 in.
H3	Lock Washer, 3/8 in.

REF. NO.	DESCRIPTION
H4	O-ring, 1-13/16 x 2 in.
H5	Switch (Includes Ref. No. H6)
H6	O-ring, 1/2 x 5/8 in.

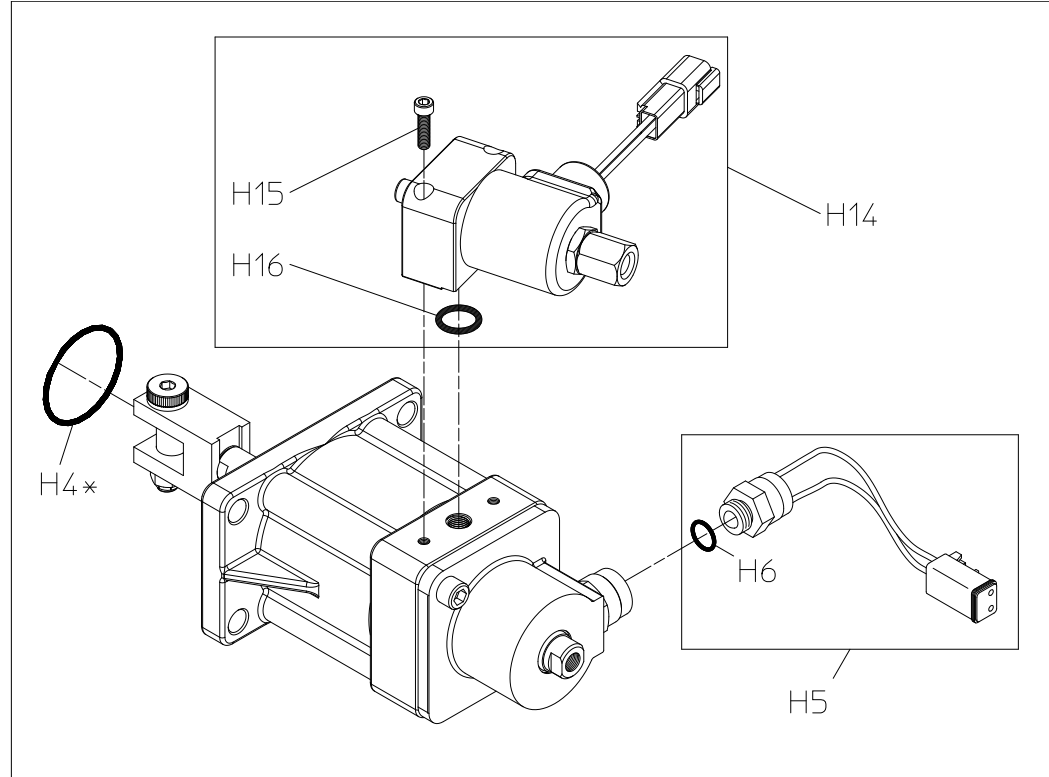


SHIFT UNIT – MOUNTING ON TRANSMISSION OR PTO

Shift Unit – Components

REF. NO.	DESCRIPTION
H1	Shift Unit Assembly (Includes Ref. No.'s H4 thru H16)
H4	O-ring, 1-13/16 x 2 in.
H5	Switch (Includes Ref. No. H6)
H6	O-ring, 1/2 x 5/8 in.

REF. NO.	DESCRIPTION
H14	Shift Interlock Solenoid (Includes H15 and H16)
H15	Socket Head Screw, No. 10 - 32 x 3/4 in.
H16	O-ring, 9/16 x 3/4 in.



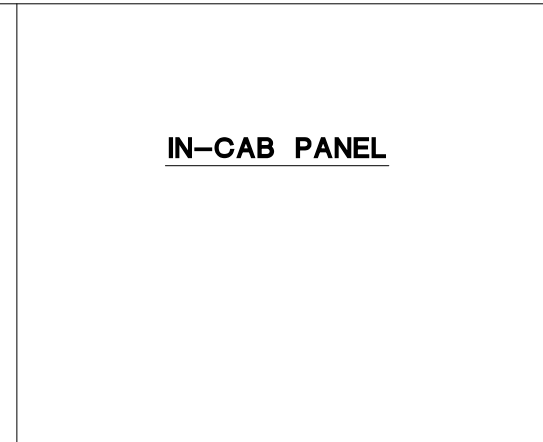
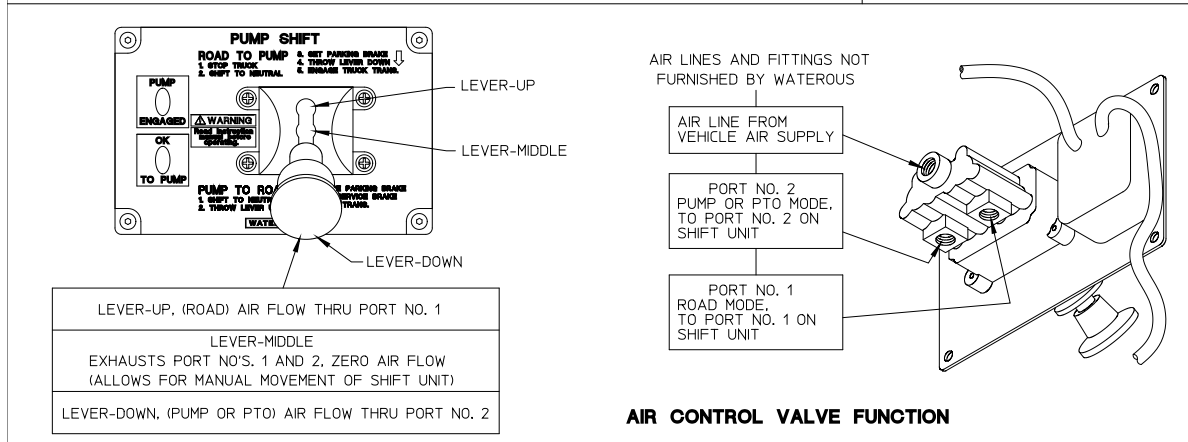
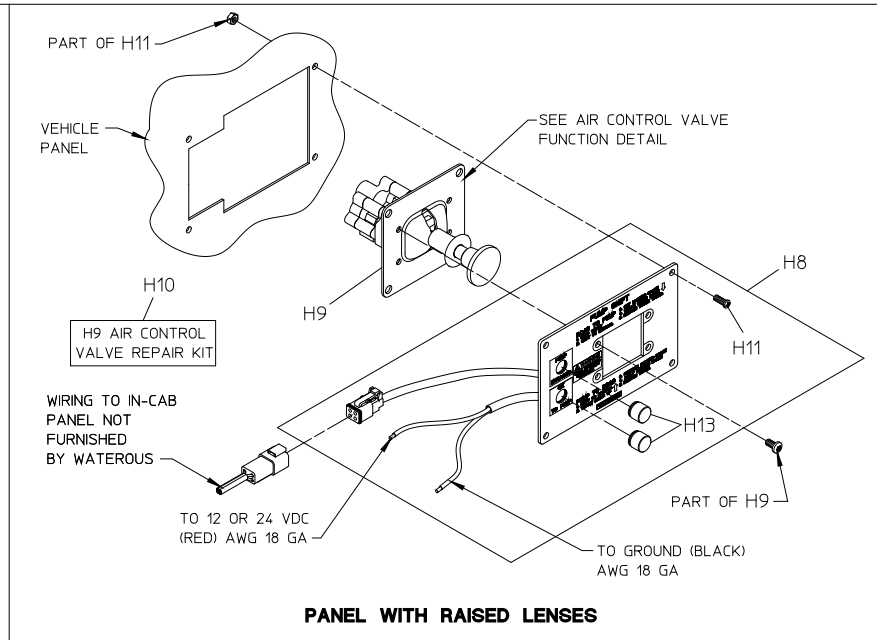
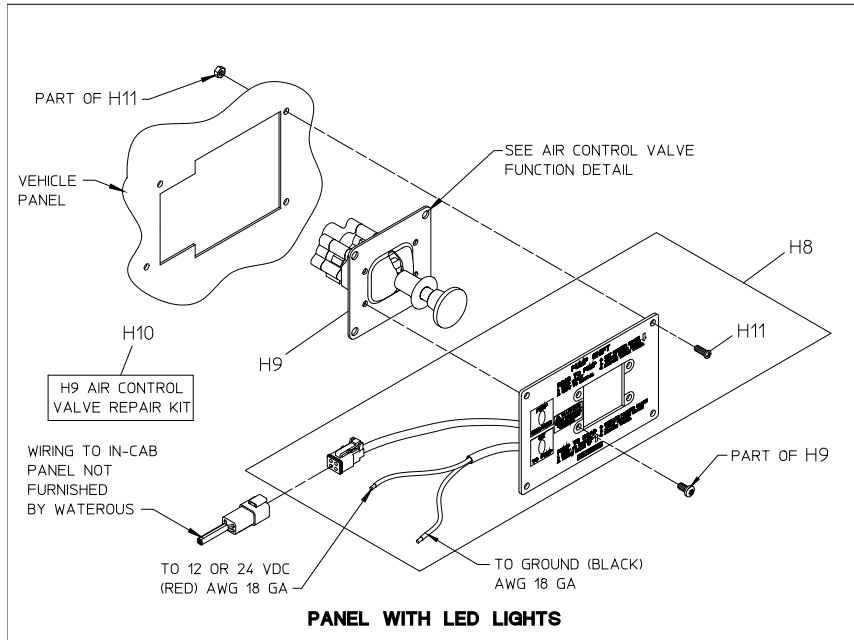
* COMPONENT OF TRANSMISSION
O-RING AND GASKET KIT, SEE
TRANSMISSION OR PTO SERVICE
PARTS LIST

SHIFT UNIT – COMPONENTS

Optional Control Panels In-Cab Panels

REF. NO.	DESCRIPTION
H8	In-Cab Panel (Includes four Ref. No. H11 mounting screws and nuts)
H9	Air Control Valve (Includes four 10-32 x 1/2 in. Torx Button Head mounting screws)

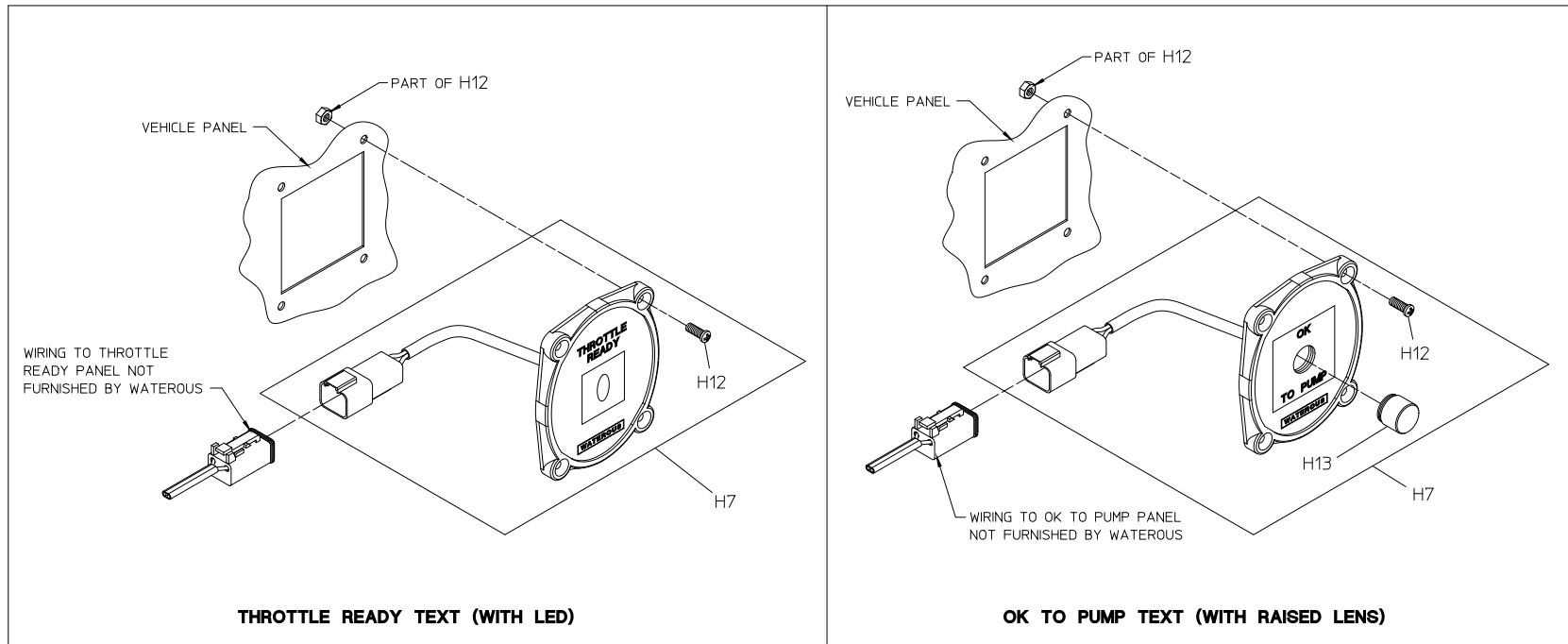
REF. NO.	DESCRIPTION
H10	Air Control Valve Repair Kit
H11	Flat Hd Screw 10-24 x 3/4 in. and 10-24 Hex Nut (For In-Cab Panel)
H13	Green Lens Cap



Optional Control Panels
Throttle Ready Panel (Located on Operator's Panel) – Single Light

REF. NO.	DESCRIPTION
H7	Throttle Ready Panel (Includes four Ref. No. H12 mounting screws and nuts)

REF. NO.	DESCRIPTION
H12	Flat Hd Screw, 6-32 x 3/4 in. and 6-32 Hex Nut (For Throttle Ready Panel)
H13	Green Lens Cap



THROTTLE READY PANEL

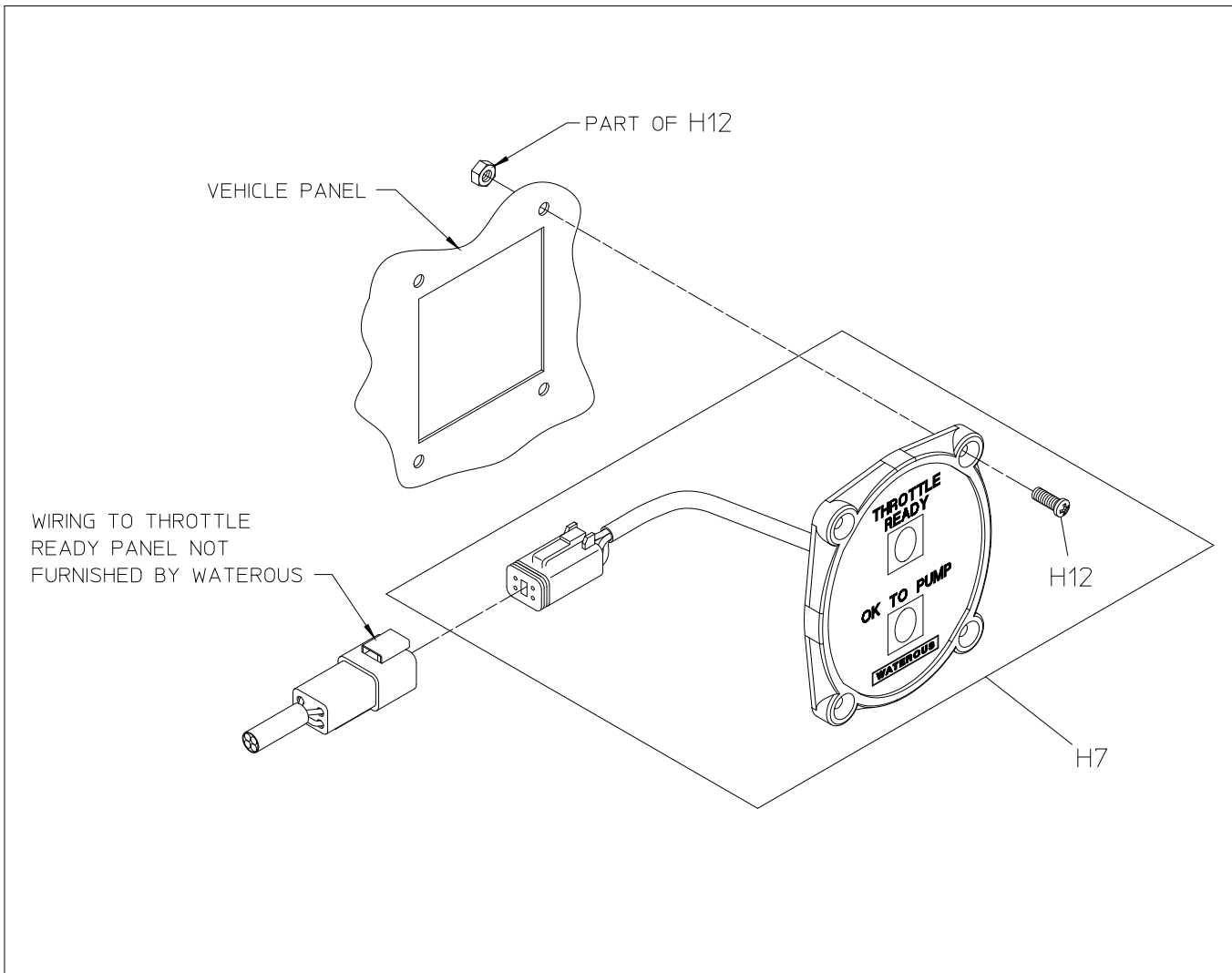
LOCATED ON OPERATOR'S PANEL

SINGLE LIGHT

Optional Control Panels
Throttle Ready Panel (Located on Operator's Panel) – Dual Light

REF. NO.	DESCRIPTION
H7	Throttle Ready Panel (Includes four Ref. No. H12 mounting screws and nuts)

REF. NO.	DESCRIPTION
H12	Flat Hd Screw, 6-32 x 3/4 in. and 6-32 Hex Nut (For Throttle Ready Panel)
H13	Green Lens Cap



THROTTLE READY PANEL

LOCATED ON OPERATOR'S PANEL

DUAL LIGHT